



## Fridge-freezer

en User manual

K151.. / K152.. / K153.. / K154.. / K155..



---

## en Index

|  |   |  |    |
|--|---|--|----|
| Information concerning disposal . . . . .                | 3 | Freezing and storing frozen food . . . . .                 | 9  |
| Safety and warning information . . . . .                 | 3 | Max. freezer capacity . . . . .                            | 9  |
| Installing the appliance . . . . .                       | 5 | Freezing food . . . . .                                    | 9  |
| Connecting the appliance . . . . .                       | 5 | Thawing frozen food . . . . .                              | 10 |
| Getting to know your appliance . . . . .                 | 6 | Switching OFF and disconnecting<br>the appliance . . . . . | 10 |
| Observe ambient temperature<br>and ventilation . . . . . | 6 | Defrosting the freezer compartment . . .                   | 10 |
| Switching on the appliance . . . . .                     | 7 | Cleaning the appliance . . . . .                           | 11 |
| Selecting the temperature . . . . .                      | 7 | Tips for saving energy . . . . .                           | 12 |
| Storing of food . . . . .                                | 7 | Operating noises . . . . .                                 | 12 |
| Sticker "OK" . . . . .                                   | 8 | Eliminating minor faults yourself . . . . .                | 13 |
| The freezer compartment . . . . .                        | 8 | Customer service . . . . .                                 | 14 |

## Information concerning disposal

### Disposal of packaging

The packaging protects your appliance from damage during transit. All packaging materials are environmentally friendly and recyclable. Please contribute to a better environment by disposing of packaging materials in an environmentally-friendly manner.

Please ask your dealer or inquire at your local authority about current means of disposal.

### Disposal of your old appliance

Old appliances are not worthless rubbish! Valuable raw materials can be reclaimed by recycling old appliances.



This appliance is labelled in accordance with European Directive 2002/96/EG concerning used electrical and electronic appliances (waste electrical and electronic equipment - WEEE). The guideline determines the framework for the return and recycling of used appliances as applicable throughout the EU.

### Warning

Redundant appliances:

1. Pull out the mains plug.
2. Cut off the power cord and discard with the mains plug.

Refrigerators contain refrigerants and the insulation contains gases. Refrigerant and gases must be disposed of properly. Ensure that tubing of the refrigerant circuit is not damaged prior to proper disposal.

## Safety and warning information

### Before you switch ON the appliance

Please read the operating and installation instructions carefully.

They contain important information on how to install, use and maintain the appliance.

Keep all documentation for subsequent use or for the next owner.

### Technical safety

- This appliance contains a small quantity of environmentally-friendly but flammable R600a refrigerant. Ensure that the tubing of the refrigerant circuit is not damaged during transportation and installation. Leaking refrigerant may cause eye injuries or ignite.

### If damage has occurred

- Keep naked flames and/or ignition sources away from the appliance.
- Thoroughly ventilate the room for several minutes.
- Switch off the appliance and pull out the mains plug or switch off the fuse.
- Notify customer service.

The more refrigerant an appliance contains, the larger the room must be. Leaking refrigerant can form a flammable gas-air mixture in rooms which are too small.

The room must be at least 1 m<sup>3</sup> per 8 g of refrigerant. The amount of refrigerant in your appliance is indicated on the rating plate inside the appliance.

- Only customer service may change the power cord and carry out any other repairs. Improper installations and repairs may put the user at considerable risk.

## Important information when using the appliance

- Never use electrical appliances inside the appliance (e. g. heaters, electric ice makers, etc.). **Risk of explosion!**
- Never use a steam cleaner to defrost or clean the appliance. The steam may penetrate electrical parts and cause a short-circuit.  
**Risk of electric shock!**
- Do not use pointed or sharp-edged implements to remove frost or layers of ice.  
You could damage the refrigerant tubing. Leaking refrigerant may ignite or cause eye injuries.
- Do not store products which contain flammable propellants (e. g. spray cans) or explosive substances in the appliance. **Explosion hazard!**
- Do not stand or support yourself on the base, drawers or doors, etc.
- Before defrosting or cleaning the appliance, switch off the appliance, pull out the mains plug or switch off the fuse.  
Pull on the mains plug, not on the power cord.
- Bottles which contain a high percentage of alcohol must be sealed and stored in an upright position.

- Keep plastic parts and the door seal free of oil and grease. Otherwise, parts and door seal will become porous.
- Never cover or block the ventilation openings for the appliance.
- People who have limited physical, sensory or mental abilities or inadequate knowledge must not use this appliance unless they are supervised or given meticulous instructions.

### Only for appliances with a freezer compartment:

- Do not store bottled or canned drinks (especially carbonated drinks) in the freezer compartment. Bottles and cans may explode!
- Never put frozen food straight from the freezer compartment into your mouth.  
**Risk of low-temperature burns!**
- Avoid prolonged touching of frozen food, ice or the evaporator pipes, etc.  
**Risk of low-temperature burns!**

## Children in the household

- Keep children away from packaging and its parts. Danger of suffocation from folding cartons and plastic film!
- Do not allow children to play with the appliance!
- If the appliance features a lock, keep the key out of the reach of children.

## General requirements

The appliance is suitable

- for refrigerating and freezing food,
- for making ice.

The appliance is designed for domestic use.

The appliance has been interference-suppressed in compliance with EU Directive 2004/108/EC.

The refrigerant circuit has been tested for leaks.

This product complies with the relevant safety regulations for electrical appliances (EN 60335/2/24).

## Installing the appliance

Install the appliance in a dry, well ventilated room. The installation location should neither be exposed to direct sunlight nor near a heat source, e.g. a cooker, radiator, etc. If installation next to a heat source is unavoidable, use a suitable insulating plate or observe the following minimum distances to a heat source:

- 3 cm to electric or gas cookers.
- 30 cm to an oil or solid-fuel cooker.

## Connecting the appliance

After installing the appliance, wait at least 1 hour until the appliance starts up. During transportation the oil in the compressor may have flowed into the refrigeration system.

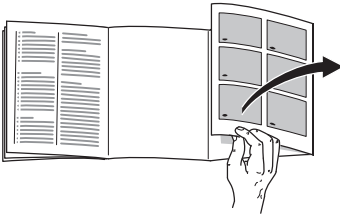
Before switching on the appliance for the first time, clean the interior (see Cleaning).

The socket should be freely accessible.

Connect the appliance to 220–240 V/ 50 Hz alternating current via a correctly installed earthed socket. The socket must be fused with a 10 A to 16 A fuse.

If the appliance is to be operated in a non-European country, check on the rating plate whether the indicated voltage and current type correspond to the values of your mains supply. The rating plate is situated in the bottom left-hand side of the appliance. The power cord may be replaced by a technician only.

## Getting to know your appliance



Before reading the instructions, please fold out the back pages. This operating manual refers to several models.

Diagrams may vary.

### Fig. 1

- 1 Temperature selector/ interior light
  - 2 Light switch
  - 3 Shelves in the refrigerator compartment
  - 4 Vegetable container
  - 5 Shelf for tubes and small tins
  - 6 Shelf for large bottles
- A Freezer compartment\*
- B Refrigerator compartment

## Observe ambient temperature and ventilation

Depending on the “climatic class” (see rating plate), the appliance can run at the following ambient temperatures: The rating plate is situated in the bottom left-hand side of the appliance.

| Climatic class | Permitted ambient temperature |
|----------------|-------------------------------|
| SN             | +10 °C to 32 °C               |
| N              | +16 °C to 32 °C               |
| ST             | +16 °C to 38 °C               |
| T              | +16 °C to 43 °C               |

If the ambient temperature drops below the permitted temperature limit, the freezer compartment may become too warm. The frozen food may thaw in extreme cases.

**Appliances which feature an ambient temperature switch can run at an ambient temperature of +16 °C to +10 °C when this switch is on. To switch on, press the switch, Fig. 2/1, – mark “0” is no longer visible. The light inside the appliance continues glowing at a reduced luminosity. If the ambient temperature rises above +16 °C, switch off the switch again.**

## Ventilation

The air on the rear panel of the appliance heats up. The warm air must be able to escape. Otherwise, the refrigerator must work harder. This will increase the power consumption. Therefore: Never cover or block ventilation openings!

## Switching on the appliance

Rotate temperature selector, **Fig. 2/2**, from controller position "0". Interior light is switched on when the door is open.

## Selecting the temperature

We recommend storing perishable foods at a temperature not warmer than +4 °C.

When the controller is at a medium setting, the temperature drops to approx. +4 °C in the coldest zone, **Fig. 6**.

A higher setting lowers the temperature in the refrigerator and freezer compartments.

We recommend:

- for short-term storage of food: **low** controller setting (energy-saving mode)
- for long-term storage of food: **medium** controller setting
- set a **high** controller setting only temporarily if: door is opened frequently, large amounts of food are placed in the refrigerator compartment.

## Refrigerating capacity

The temperature in the refrigerator compartment may rise temporarily if large amounts of food or a lot of drinks are placed in the refrigerator compartment.

Therefore the temperature controller should be set to a high setting for approx. 7 hours.

## Operating tips

**The refrigerator compartment temperature drops temporarily:**

- by freezing large quantities of fresh food in the freezer compartment.

**The refrigerator compartment temperature rises:**

- if the appliance door is opened frequently,
- if large quantities of food are placed in the refrigerator compartment,
- if the ambient temperature is high.

## Storing of food

### Take note of the cold zones in the refrigerating zone!

Due to the air circulation in the refrigerating zone, zones with different temperatures are produced:

- **Coldest zones** is between the arrow stamped on the side and the glass shelf situated below, **Fig. 6**.

Note: Store perishable food (e.g. fish, sausage, meat) in the coldest zones.

- **Warmest zone** is at the very top of the door.

Note: Store the following in the warmest zone, e.g. cheese and butter. When serving, the cheese keeps its aroma and the butter remains spreadable.

## When storing the food, note

that food is well wrapped or covered over. In this way, the aroma, colour and freshness remain. Apart from which, the transfer of taste and drying of plastic parts is avoided.

### Note:

If required, you can vary the shelves inside the appliance: pull the shelf forwards, lower and swivel out to the side. **Fig. 4**

### We recommend arranging the food as follows:

- **In the freezer compartment\* :**  
Frozen food, ice cubes, ice cream
- **On the shelves** in the refrigerator compartment (from top to bottom):  
cakes and pastries, ready meals, dairy products, meat and sausage
- **In the vegetable container:**  
vegetables, salad, fruit
- In the **door** (from top to bottom):  
butter, cheese, eggs, tubes, small bottles, large bottles, milk, juice cartons

## Usable capacity

Information on the usable capacity can be found inside your appliance on the rating plate.

## Sticker “OK”

not all models

The “OK” temperature monitor can be used to determine temperatures below +4 °C. Gradually reduce the temperature if the sticker does not indicate “OK”.

### Note

When the appliance is switched on, it may take 12 hours until the temperature is reached.



Correct setting



Temperature too high, reduce temperature.

## The freezer compartment\*

### Use the freezer compartment

- For storing frozen food
- For making ice cubes
- For freezing small quantities of food

The freezer compartment door closes with a noticeable click.

Make sure the freezer compartment door is kept closed at all times. If the door is left open, the contents of the freezer compartment will start to thaw. There will be a build-up of ice inside the freezer compartment and, in addition, a considerable amount of energy will be wasted due to higher electricity consumption.



## Freezing and storing frozen food\*

### Purchasing deep-frozen food

Packaging must not be damaged.

Use by the “best-before” date.

Temperature in the supermarket freezer  
–18 °C or lower.

If possible, transport deep-frozen food in an insulated bag and place quickly in the freezer compartment.

## Max. freezer capacity

Food should be frozen right through as quickly as possible. Only in this way are vitamins, nutritional values, appearance and taste retained. Therefore, you should not exceed the maximum freezing capacity of your appliance.

## Freezing capacity

Information about the max. freezing capacity within 24 hours can be found on the rating plate.

### Note:

Freezing fresh food automatically causes the refrigerating unit to remain in operation until all items are frozen all the way through. **This can lead to a drop in temperature inside the refrigerator section.** Set the temperature selector to a lower setting.

## Freezing food\*

Freeze fresh, undamaged food only. Keep food which is to be frozen away from food which is already frozen. To prevent food from losing its flavour or drying out, place in airtight containers.

### How to wrap food correctly:

1. Place the food in the wrapping.
2. Press out all the air.
3. Seal the wrapping.
4. Label the wrapping with the contents and date.

### The following products are not suitable for wrapping food:

Wrapping paper, greaseproof paper, cellophane, refuse bags and used shopping bags.

### The following products are suitable for wrapping food:

Plastic film, polyethylene blown film, aluminium foil and freezer tins.

These products can be purchased from your dealer.

### The following products are suitable for sealing the wrapped food:

Rubber bands, plastic clips, string, cold-resistant adhesive tape or similar. Bags and polyethylene blown film can be sealed with a film sealer.

## Storage duration of the frozen food

Depends on the type of food. At a mean temperature:

- Fish, sausage, ready meals and cakes and pastries:  
up to **6 months**
- Cheese, poultry and meat:  
up to **8 months**
- Vegetables and fruit:  
up to **12 months**

## Thawing frozen food\*

Depending on the type of food and intended use, frozen produce can be thawed as follows:

- At room temperature
- In the refrigerator
- In an electric oven, with/without fan assisted hot-air
- In the microwave

### Note

Do NOT refreeze food which is beginning to thaw or which has already thawed. It can only be refrozen when it has been used to prepare a ready meal (boiled or fried).

No longer store the frozen produce for the max. storage period.

## Switching OFF and disconnecting the appliance

### Switching OFF the appliance

Turn the temperature selector **Fig. 2/2** to "0". The refrigerating unit and interior light switch OFF.

### Disconnecting the appliance

If the appliance is not to be used for a prolonged period:

1. Switching OFF the appliance.
2. Pull out the mains plug or switch off the fuse.
3. Defrost and clean the appliance
4. Leave the appliance door and freezer-compartment door open.

## Defrosting the freezer compartment \*

The freezer compartment does not defrost automatically, as the frozen food must not thaw. A layer of hoarfrost in the freezer compartment will impair refrigeration of the frozen food and increase power consumption. Remove the layer of hoarfrost regularly.

Attention: Do not scrape off hoarfrost or ice with a knife or pointed object. You could damage the refrigerant tubing. Leaking refrigerant may ignite or cause eye injuries.

## Proceed as follows:

1. Remove the frozen food and store temporarily in a cool location.
2. Pull out the mains plug or remove the fuse.
3. Leave the appliance door open.  
Wipe up condensation with a cloth or sponge.
4. Wipe the freezer compartment dry.
5. Switch on the appliance again.
6. Put the frozen food back in the freezer compartment.

## Defrosting aids

You can accelerate the defrosting process by placing a pan of hot water in the freezer compartment.

Attention: place the pan on a heat-insulating base!

Warning: Never use electrical appliances or naked flames to defrost the freezer compartment, e.g. heaters, steam cleaners, candles, kerosene lamps, etc.

### Caution when using defrosting sprays:

- Defrosting sprays may form explosive gases.
- Defrosting sprays may contain solvents or propellants which attack plastic.
- Defrosting sprays may be a health hazard.

Follow the manufacturer's instructions.

## Refrigerator compartment defrosts fully automatically

While the refrigerating unit is running, beads of condensation or hoarfrost form at the back of the refrigerator compartment. This is quite normal.

It is not necessary to wipe off the condensation or frost. The rear panel defrosts automatically. The condensation runs into the condensation channel **Fig. 3** and is conveyed to the refrigerating unit where it evaporates.

Note: Keep the condensation channel and drain hole **Fig. 3** clean so that the condensation can drain.

## Cleaning the appliance

1. **Attention: Pull out the mains plug or switch off the fuse!**
2. Wipe the door seal with clear water only and then wipe dry thoroughly.
3. Clean the appliance with lukewarm water and a little washing-up liquid. The rinsing water must not get into the temperature selector or light, **Fig. 2**.
4. After cleaning: reconnect and switch on the appliance.

Door shelves can be removed for cleaning **Fig. 5**.

Do not use abrasive or acidic cleaning agents and solvents.

Regularly clean the condensation channel and drainage hole, **Fig. 3**, with a cotton bud or similar implement to ensure that the condensation can drain.

The rinsing water must not run through the drain hole into the evaporation pan.

### Attention!

Never clean the shelves or containers in the dishwasher. The parts may warp!

## Tips for saving energy

- Install the appliance in a dry, well ventilated room, but not in direct sunlight and not near a heat source (e.g. radiator, cooker, etc.). If required, use an insulating plate.
- Allow warm food and drinks to cool down before placing in the appliance!
- When thawing frozen products, place them in the refrigerator. The low temperature of the frozen products cools the food in the refrigerator.
- Open and close the door as briefly as possible.
- A layer of hoarfrost in the freezer compartment will impair refrigeration of the frozen food and increase power consumption. Defrost the appliance if frost forms!\*
- Ensure that the freezer compartment door\* has been closed properly.
- Occasionally clean the rear of the appliance with a vacuum cleaner or paint brush to prevent an increased power consumption.

## Operating noises

### Normal noises

**Humming** – refrigerating unit is running.

**Bubbling, gurgling or whirring noises** – refrigerant is flowing through the tubing.

**Clicking** – motor is switching on or off.

### Preventing noises

#### The appliance is not level

Please align the appliance with a spirit level. Use the height-adjustable feet or place something under the feet.

#### The appliance is not free-standing

Please move the appliance away from adjacent units or appliances.

#### Drawers or storage areas wobble or stick

Please check the removable parts and, if required, reinsert them.

#### Bottles or receptacles are touching each other

Please move bottles or receptacles away from each other.

# Eliminating minor faults yourself

## Before you call customer service:

Please check whether you can eliminate the fault yourself based on the following information.

Customer service will charge you for advice, even if the appliance is still under guarantee!

| Fault   | Possible cause  | Remedial action   |
|---|---|---|
| <b>Interior light does not function.</b>                            | The bulb is defective.  | Change the bulb <b>Fig. 7/B</b> .<br><ol style="list-style-type: none"> <li>1. Pull out the mains plug or disconnect the fuse.</li> <li>2. Remove bulb cover towards the rear.</li> <li>3. Change the bulb.<br/>(replacement bulb max. 25 W, 220–240 V a.c., E14 lampholder)</li> </ol> |
|   | Light switch is sticking.<br><b>Fig. 7/A</b>  | Check whether it can be moved.  |
| <b>The frozen food is frozen solid.*</b>                            |   | Loosen frozen food with a blunt object. Do not use a knife or pointed object. You could damage the refrigerant tubing or the plastic surface.   |
| <b>There is a thick layer of frost in the freezer compartment.*</b> |   | Defrosting the freezer compartment (see Defrosting). Always ensure that the freezer compartment door is closed properly. Freezer compartment door must “click” shut.  |
| <b>Floor of the refrigerator compartment is wet.</b>                | The condensation outlet is blocked.   | Clean the condensation channel and outlet ( <b>Fig. 3</b> , see Cleaning the appliance)   |
| <b>The temperature in the refrigerator compartment is too cold.</b> | The freezer compartment door has not been closed properly.*   | Close the freezer compartment door. Freezer compartment door must “click” shut.   |
|   | If large quantities of fresh food are being frozen, the temperature in the refrigerator compartment drops temporarily, as the refrigerating unit runs for a long time.* | Do not exceed max. freezing capacity.   |

\*only for appliances with a freezer compartment

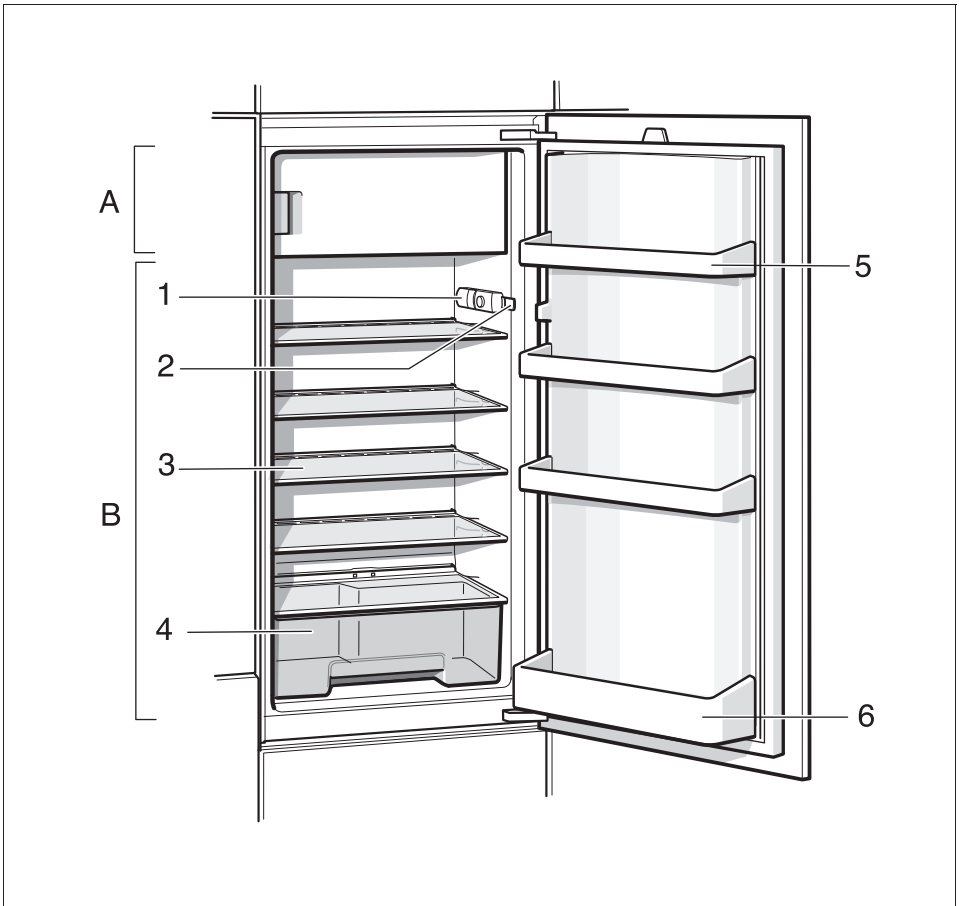
| Fault  | Possible cause   | Remedial action  |
|--|--|--|
| The temperature in the refrigerator compartment is too cold. | Temperature selector has been set to a higher setting.   | Set the temperature selector to a lower setting.   |
| The frozen food is thawing.*                                 | The ambient temperature is colder than +16 °C. The refrigerating unit is starting less frequently. | Increase the ambient temperature above +16 °C.<br><br>If appliances feature an ambient temperature switch, switch on. To switch on, press the switch, <b>Fig. 2/1</b> , – mark “0” is no longer visible. The light inside the appliance glows at a reduced luminosity. |
| Refrigerator has no cooling capacity.                        | The temperature selector is on “0”.  | Rotate the temperature selector from position “0”.   |
|  | Power failure; the fuse has been switched off; the mains plug has not been inserted properly.      | Check whether the power is on, check the fuses.  |

## Customer service

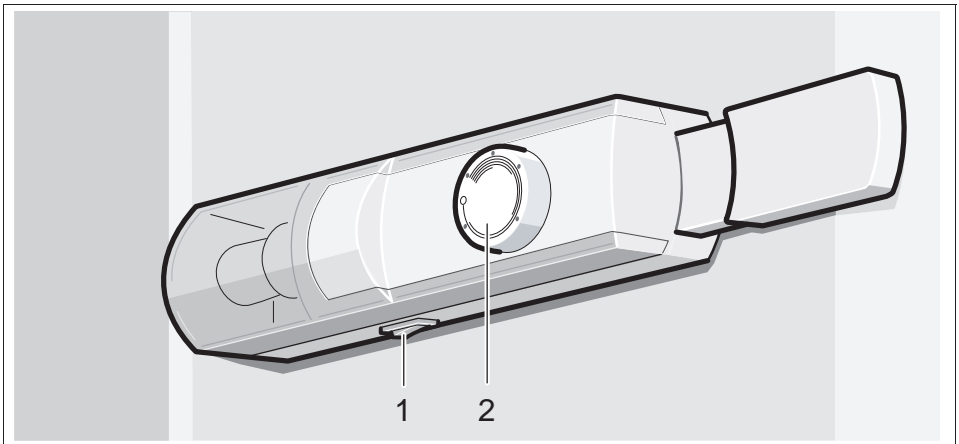
Your local customer service can be found in the telephone directory or in the customer-service index. Please provide customer service with the appliance product number (E-Nr.) and production number (FD).

This information can be found on the product label. **Fig. 8**

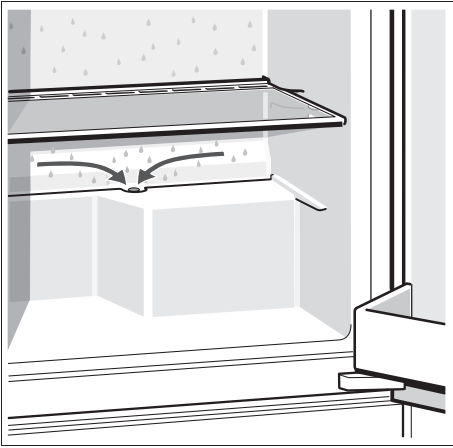
To prevent unnecessary call-outs, please assist customer service by quoting the product and production numbers. This will save you additional costs.



**1**



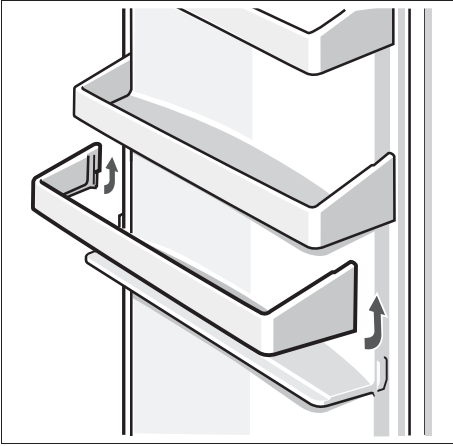
**2**



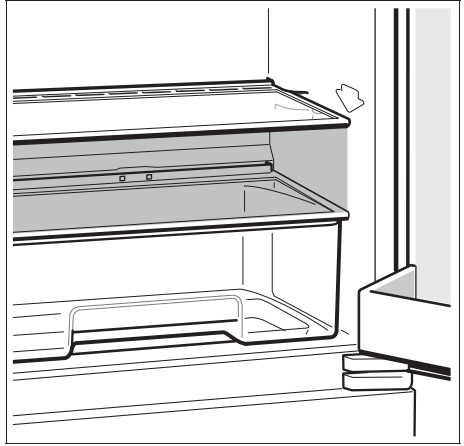
3



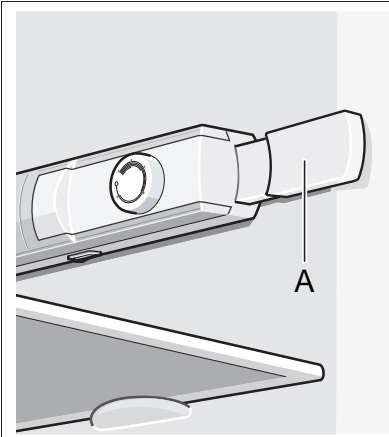
4



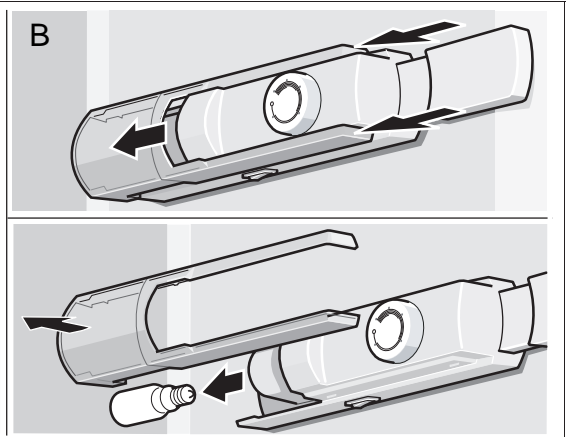
5



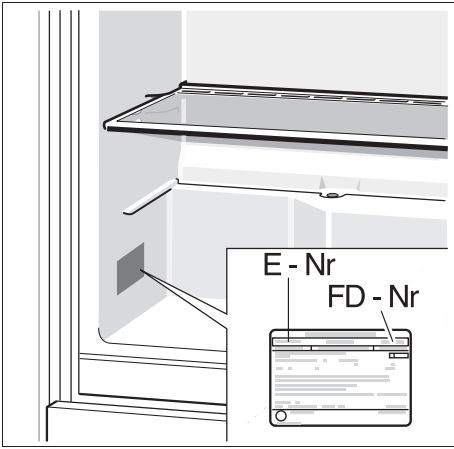
6



7









Constructa-Neff Vertriebs-GmbH  
Carl-Wery-Straße 34  
81739 München, GERMANY



[www.neff-international.com](http://www.neff-international.com)

**9000404491 (9409)**  
en