



NEFF Customer Service  
Grand Union House  
Old Wolverton Road  
Milton Keynes  
Buckinghamshire  
MK12 5ZR

BSH Home Appliances Ltd.  
M50 business Park  
Ballymount  
Dublin 12  
T 1890 626 041  
[www.neff-home.com/ie](http://www.neff-home.com/ie)

NEFF, a division of  
BSH Home Appliances Ltd.  
Grand Union House  
Old Wolverton Road  
Wolverton  
Milton Keynes  
MK12 5PT  
[www.neff-home.com/uk](http://www.neff-home.com/uk)

# *The NEFF APPLIANCES RANGE 2024*

# Introduction to NEFF

Cook. Create. Inspire

At NEFF we believe that the kitchen is the heart of every home. A place to eat, meet and get creative with your cooking. With an extensive range of innovative appliances, we're constantly working to meet the demands of every lifestyle. From our unique Slide&Hide® disappearing oven door, to our extensive range of steam and pyrolytic ovens, hobs and hoods, these appliances expertly installed create the perfect NEFF Kitchen.



# Contents

<b>OVENS</b>	<b>4-51</b>
Introduction To Ovens	4-7
Steam Cooking Explained	8-9
Key Functions Guide	10-11
Fascia Display Types	12-13
Home Connect	14-15
N90 and N70 Range of Appliances	16-17
N50 Range of Appliances	18-19
Seamless Combination®	20-21
N90/N70 Graphite Grey Appliance List	22
N70 Stainless Steel Appliance List	23
N50 Appliance List	24
Optional Accessories List	25
Product Specification	26-41
Product Line Drawings	42-51
<b>HOBBS</b>	<b>52-87</b>
Introduction to Hobs	52-53
Your Guide To Hobs	54-55
Guide To Electric Hobs	56-57
Electric Hobs Specification	58-71
Electric Hobs Line Drawings	72-73
Electric Hobs Accessories	74-75
Guide To Gas Hobs	76
Gas Hobs Specification	77-82
Gas Hobs Line Drawings	84-85
Electric Hobs List	86
Gas Hobs List	87
<b>COOKER HOODS</b>	<b>88-127</b>
Introduction to Hoods	88-89
Your Guide To Control Types	90
Key Functions Guide	91
Installation Options	92-93
Island Ventilation Solutions	94-95
Island Specification	96-99
Wall Mounted Ventilation Solutions	100-101
Wall Mounted Ventilation Specification	102-107
Integrated Furniture Ventilation Solutions	108
Integrated Furniture Ventilation Specification	109-113
Hoods Appliance List	114-115
Hoods Accessories	116-117
Product Line Drawings	118-127
<b>COOLING</b>	<b>128-163</b>
Introduction to Cooling	130-131
Built-In Fridge Freezer Guide	140-141
Built-In Single Fridge Freezer Guide	132-133
Other Styles Guide	134
Key Functions Guide	135
Design Features	136-137
Product Specification	138-153
Product Line Drawings	154-163
<b>DISHWASHERS</b>	<b>164-177</b>
Introduction to Dishwashers	164
Dishwasher Solutions	165
Feature Highlights	166
Control Types	167
Key Functions Guide	168-169
Product Specification	170-175
Product Line Drawings	176-177
<b>LAUNDRY</b>	<b>178-183</b>
Introduction To Laundry	178
Key Functions Guide	179
Product Specification	180-181
Product Line Drawings	182-183
<b>NEFF CUSTOMER SERVICE</b>	<b>184-185</b>
<b>NOTES</b>	<b>186</b>

# *Cook. Create.* **INSPIRE.**

**NEFF truly believes that the kitchen is the heart of the home and creating a solution for every cooking style is part of our DNA.**

NEFF has a range to suit every cooking style. Our brochure unfolds the key brand attributes of every category.

Slide & Hide® creates kitchen envy with the iconic disappearing door and the additional ranges packed with features and functions can suit all kitchen styles and layouts.

**NEFF**  
cook. create. inspire.

# NEFF's iconic SLIDE & HIDE® DOOR



The iconic Slide & Hide®: the first and only fully retracting oven door. Only from NEFF.

**What makes our Slide & Hide® ovens so special:**

- Wide range of features suited to all cooking styles.
- Seals the food quickly making it ideal for multi-level cooking. A perfect choice for baking and roasting achieving succulent roasts and even bakes.
- The range includes an oven for every cooking style and budget. Designed using a value class to identify each collection.
  - Our N90 range is our most premium range followed by N70 and N50
  - For perfect design alignment the ranges have been curated to be installed vertically or horizontally within their own value class aligning and matching their fascia panels.
- Our Single Slide & Hide® ovens seamlessly integrate into various kitchen designs. They can be combined with other Single ovens side by side or with Compact ovens and warming drawers, both horizontally and vertically, offering versatility in design and cooking solutions.
  - One notable advantage is in an Accessible kitchen, where these appliances offer many benefits. They can be installed at a suitable height, and the retractable door provides full, safe access to the oven cavity.
- Made in Germany in our bespoke NEFF factory.

# Steam cooking EXPLAINED

## WHAT IS IT

VARIO STEAM®	INTENSIVE STEAM
Vario Steam® combines conventional hot air cooking functions with Steam.	Intensive Steam has all the functions of Vario Steam® combining hot air and steam.
Ducts in the back plate release steam into the oven quickly and evenly adding steam into the oven category.	It also uses 100% (pure) steam to gently cook a variety of dishes.
Vario Steam® has 3 levels of steam: <ul style="list-style-type: none"> <li>• Level 1 (Low) Steam</li> <li>• Level 2 (Medium) Steam</li> <li>• Level 3 (High) Steam</li> </ul>	The Intensive Steam now means that the steam temperature will reach 120°C – by increasing the temperature it reduces the cooking times for certain foods.
Both steam approaches can be added to: <ul style="list-style-type: none"> <li>• Circo Therm®</li> <li>• Top and Bottom Heat</li> <li>• Circo Roasting</li> <li>• Bread Baking Setting</li> </ul>	



## Vario Steam® & Steam Boost

The difference between these two features is that with Vario Steam®, once the level of steam intensity is selected, the appliance automatically adds in the steam at selected intervals whereas with Steam Boost the steam is manually added by the user for a 3 minute duration, repeatable for up to another 9 times.



### Vario Steam®

Vario Steam® has 3 levels suitable for:

- **Add Level 1 steam for pastries and cakes** - to give an even golden crust, better rise and volume. No soggy cakes here just beautifully moist.
- **Perfect roasted meats can be achieved by adding level 2 steam**, no basting, just a golden crisp skin with tender meat inside. Plus less shrinkage.
- **Add level 3 high steam to Circo Roasting 200°C** for easy **roasties**. No part boiling, a touch of olive oil for crisp and fluffy results.

### Steam Boost

This feature is primarily for home-baked bread, giving a crisp outside and nice and fluffy on the inside:

- It delivers fast and intensive steam
- Oven is pre-heated
- A bread baking stone can be used
- Once to temperature press the Steam Boost\* button to inject 3 mins of steam.
- This can be done up to 10 times during the programme.

\* The feature is called Steam Boost but on the appliance fascia this is Steam Jet.

## Intensive Steam (Full Steam)

Increasing the temperature reduces cooking times for produce that cooks more slowly, such as root vegetables, rice dishes and pulses. Cooking these food types more quickly has the added benefit of retaining more vitamins.

### Key Benefits

- **Saves Time** – increasing to 120°C means it can reduce cooking times.
- **Healthier Way to cook** – more vitamins and nutrients retained due to quicker cooking time.
- **Defrost** – this programme introduces steam to the cavity to ensure frozen food does not dry out. Temperature range 30-60°C.



## Other Steam Options

### Reheat

The reheat function introduces steam during the reheating process so that food will not dry out. The causes the food to taste as if it is freshly cooked. Even crispy food like bread will regain their crispy crust. Temperature range 80-180°C.

### Dough Proving

Bread will prove quicker using this function than at room temperature. Temperature range 30-50°C.

# Key Functions Guide

## Cooking Functions



### CIRCO THERM®

Circo Therm® evenly distributes the hot air throughout the oven, allowing for consistent cooking results on multiple trays simultaneously.



### CIRCO ROASTING

Circo Roasting is the ideal function for cooking meat and poultry. The circulating hot air helps to sear the exterior of the meat quickly, locking in juices and flavour while creating a crispy, golden-brown crust. Meanwhile, the interior remains moist and tender.



### TOP/BOTTOM HEAT

Providing conventional cooking heat sources at the top and bottom of the oven. Heat travels to the centre of the oven by natural conduction. Ideal for baking pastries and scones.



### CENTRE SURFACE GRILL

When the Centre Surface Grill function is activated, only the centre grilling elements will heat up. Ideal for when cooking smaller quantities.



### LOW TEMPERATURE COOKING

A special setting for hob-sealed prime cuts of meat and poultry. Meat/poultry is placed in a pre-heated dish and transferred into the oven. The low temperature setting uses a fixed temperature to gently tenderise without overcooking, resulting in meat/poultry that is juicy and melts in the mouth.



### BREAD BAKING

Bread baking temperature varies between 180°C and 220°C. Ideally suited to baking crusty bread with an open texture. Up to three levels of bread can be baked at the same time.



### KEEP WARM

An ideal setting for keeping food warm without drying it out before serving. Typically set between 66°C to 100°C.



### CIRCO THERM® GENTLE

Circo Therm® Gentle is designed for delicate cooking tasks that require gentle heat and precise temperature control. Operating at a lower temperature, it is perfect for baking delicate pastries, or slow cooking.



### CIRCO THERM® INTENSIVE

Uses a combination of Circo Therm® and bottom heat, ideal for foods that need a crispy underside like pizzas or specialty breads. It can also be used for one stage pastry such as lemon meringue pie, eliminating the need for blind baking.



### BOTTOM HEAT

Providing heat from the bottom of the oven, this method is ideal for pizza bases and pastry cases to create a crispy underside or for bain marie and casseroles.



### FULL SURFACE GRILL

The grill element is situated in the oven roof. It is thermostatically controlled and will cycle on and off to maintain the required temperature.

### AIR FRY

The convenience of an Air Fryer inside the oven. This feature uses the grill and fan to create the same results. Using our Air Fryer and Grill Tray (Z1655CA0) further helps the air to circulate achieving optimum results.



### DOUGH PROVING

The Dough Proving function provides a controlled environment with a low and consistent temperature ideal for proofing dough. This feature offers home bakers a convenient and reliable way to proof dough, ensuring consistent results and saving time in the bread making process.



### PLATE WARMING

Hot air is circulated at up to 65°C to safely warm plates and service dishes in preparation for dinner.



### MEAT PROBE

The Multi Point Meat Probe measures the joint's heat at three points and the Single Point Meat Probe measures in one point, ensuring the right core temperature is reached, so you can take the roast out when it's ready.



### BAKING AND ROASTING ASSISTANT

Baking & Roasting Assistant helps you to Cook Meals with ease, by simply selecting pre-selected food items from the Bake & Roast Assist menu. Select your Meal on the display and you will find a suggested temperature & cooking time. For Baking, Roasting & Grilling the entire process gives perfect cooking results.

## Cooking Functions With Steam



### VARIO STEAM®

Vario Steam® enhances the cooking process by introducing controlled bursts of steam into the oven. Whether you're baking bread, roasting meats, or reheating leftovers, dishes come out with more intense flavour and an appetising appearance.



### REHEAT

Reheat allows you to gently warm dishes again – and thanks to the moisture in the oven, they will look and taste freshly prepared.



### INTENSIVE STEAM (FULL STEAM)

Make your favourite dishes healthier with our Intensive steam function. Gently cook your dishes at up to 120°C, to preserve their natural flavour and lock in nutrients. It's easy to operate and also simple to refill the one litre water container – press a button to open the front panel, remove the container, fill it and you're ready to steam ahead.

## Oven Cleaning Functions



### PYROLYTIC SELF-CLEANING

Pyrolytic cleaning is a self-cleaning system for ovens. The process superheats the oven to approximately 485°C, which burns off any deposits from baking, roasting and grilling. This creates a perfectly clean oven and a residue of fine dust that's easily removed with a damp cloth.



### OVEN CLEANING

A special electronic setting designed to keep EcoClean® surfaces inside the oven as clean as possible. Used on a regular basis, it can keep the oven's interior lining remarkably clean with minimal maintenance required.



### BASE CLEAN

Base Clean helps clean the bottom of the oven by softening dirt with warm water. After the programme has finished you just have to wipe the base with a damp cloth.

### DRYING FUNCTION

Dries the cooking compartment after a steam function.



### EASY CLEAN®

For a lightly soiled oven, put approximately 400ml of water and a drop of washing-up liquid in the base pan and then select the EasyClean® programme. It softens baked-on residue so you can just wipe it down, for fast and uncomplicated oven cleaning.



### DESCALING

All NEFF steam appliances contain a descaling programme which can be set according to the hardness of the water.



### ECO CLEAN

Eco Clean is a microfine ceramic bead coating on the oven's interior back, top or sides, depending on the model. It has a very large surface area, making it extremely absorbent. It absorbs fat droplets and keeps the inside of the oven clean.

### AUTOMATIC SAFETY SWITCH OFF

For electronic ovens only, this feature will automatically cut in if no changes to the settings on the appliance have been made in a long time, giving you complete peace of mind.

Temperature range	Automatic switch off after
Under 140°C	73 hours
141 – 200°C	6 hours
201 – 250°C	3 hours
251°C	2 hours

## Special Features



### HOME CONNECT

Control your oven directly from a Smart Device App or Voice Command. You can also download updates and additional functions.



### BAKING AND ROASTING ASSISTANT

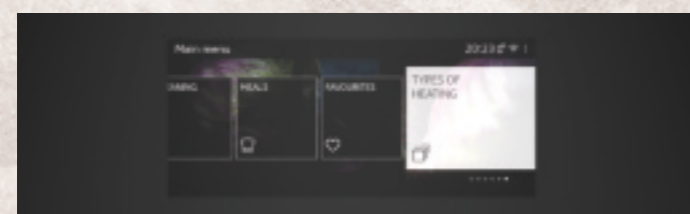
Baking & Roasting Assistant helps you to Cook Meals with ease, by simply selecting pre-selected food items from the Bake & Roast Assist menu. Select your Meal on the display and you will find a suggested temperature & cooking time. For Baking, Roasting & Grilling the entire process gives perfect cooking results.

# Oven Feature OVERVIEW

This overview highlights the features that can be included on a NEFF oven – the model specification will determine the features on each specific model.

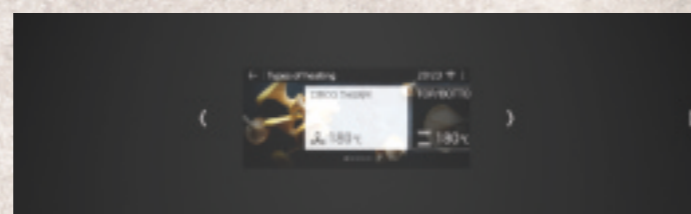
## N90 Full Touch 3

Full Touch Screen display; 6.8" high resolution TFT colour graphics display.



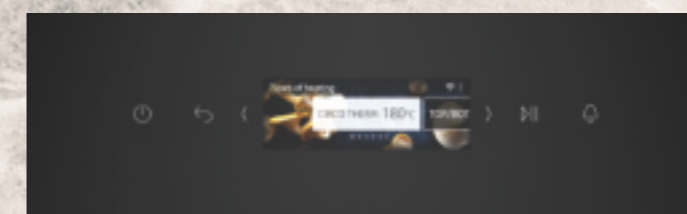
## N90 Full Touch 2

Full Touch Screen display; 4.1" high resolution TFT colour graphics display.



## N70 Full Touch 1

Full Touch Screen display; 3.7" high resolution TFT colour graphics display.



## N50 Dial Control & LCD Screen



SINGLE OVENS		
VALUE CLASS	N90   FULL TOUCH 3	N90   FULL TOUCH 2
Colours Available	Graphite Grey	Graphite Grey
<b>OPERATION</b>		
Premium Full Touch TFT Display	Full Touch 3 (FT3)	Full Touch 2 (FT2)
<b>SPECIAL FEATURES</b>		
Door type	Slide & Hide® With Rotating Handle, SoftClose	Slide & Hide® With Rotating Handle, SoftClose
Home Connect	•	•
Multi Point Temperature Probe	•	
<b>SPECIAL FEATURES</b>		
Features available within the Value Class		
Intensive Steam 120° (Full Steam)	•	•
Vario Steam®	•	•
Dough Proving w/ Vario Steam®	•	•
Keep Warm w/ Vario Steam®	•	•
Reheat w/Vario Steam®	•	•
Circo Therm®	•	•
Circo Therm® Gentle	•	•
Top/bottom heat Gentle	•	•
Bottom heat	•	•
Conventional heat/Conventional heat gentle	•	•
Low temperature cooking	•	•
Hot air grilling	•	•
Centre Surface Grill	•	•
Full surface grill	•	•
Circo Roasting	•	•
Bread Baking Function	•	•
Pizza setting	•	•
Defrost	•	•
Dough Proving	•	•
Keep Warm	•	•
Pre-heating	•	•
Plate warming	•	•
Oven capacity (L)	71	71

SINGLE OVENS	
N70   FULL TOUCH 1	N50   DIAL CONTROL & LCD SCREEN
Colours Available	Graphite Grey Stainless Steel
<b>OPERATION</b>	
Full Touch 1 (FT1)	Dial Control & LCD Screen
<b>SPECIAL FEATURES</b>	
Slide & Hide® With Rotating Handle Drop Down Door Available	Slide & Hide® with Fixed Handle * Drop Down Door Available
•	Selected models only
<b>SPECIAL FEATURES</b>	
Features available within the Value Class	
Intensive Steam 120° (Full Steam)	•
Vario Steam®	•
Dough Proving w/ Vario Steam®	•
Keep Warm w/ Vario Steam®	•
Reheat w/Vario Steam®	•
Circo Therm®	•
Circo Therm® Gentle	•
Top/bottom heat Gentle	•
Bottom heat	•
Conventional heat/Conventional heat gentle	•
Low temperature cooking	•
Hot air grilling	•
Centre Surface Grill	•
Full surface grill	•
Circo Roasting	•
Bread Baking Function	•
Pizza setting	•
Defrost	•
Dough Proving	•
Keep Warm	•
Pre-heating	•
Plate warming	•
Oven capacity (L)	71

# Get more with HOME CONNECT

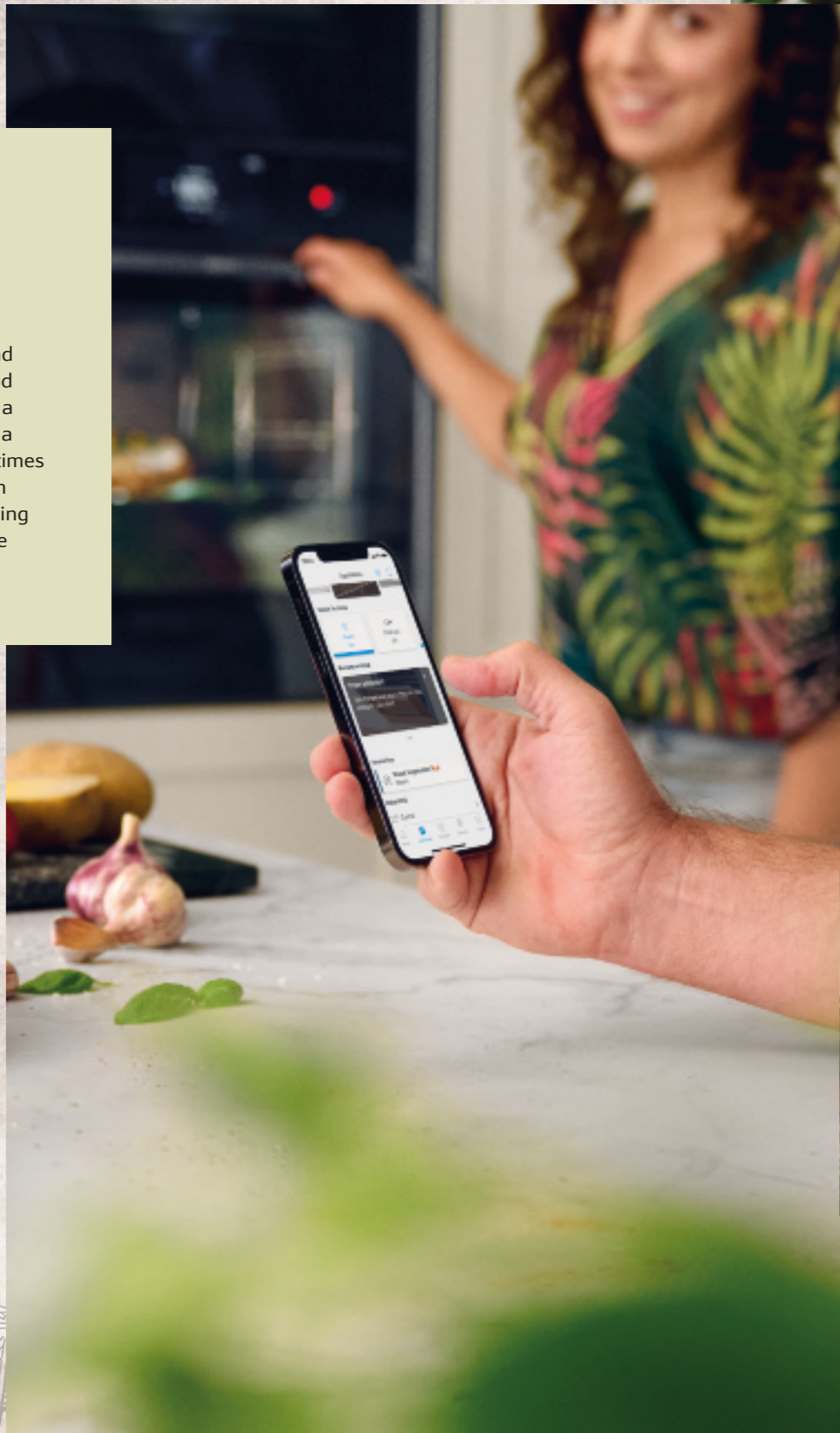
## More time for your creativity and your guests.

Connections are important for NEFF and the connections that we make over food are our favourite ones. When we share a meal with family and friends, we share a connection around the table but sometimes we all need a little help. When you're in need of a little creative inspiration, having a partner in the kitchen can make those connections easier and stress free...



## Perfect Partners

With food it's not always about the refined presentation – it's about the flavour, the joy and the pleasure those shared meals bring. Stay better connected with your guests with oven control and monitoring via smartphone, voice or smartwatch. No more dashing back and forth to the kitchen – enjoy the benefits of our technology partnerships for perfect cooking results every time!



## Looking for Inspiration?

Want to find a new way to cook something or have a lot of seasonal ingredients? Spend some time with our recipe partners on Home Connect and be inspired by others!

kitchen stories

ANYONE CAN COOK



## Got your hands full creating your next dish?

Achieving perfect results has never been easier with Oven Assistant – simply use the Home Connect app or ask Alexa to find the perfect setting for your dish.



## Sharing Favourites

We all have our favourite recipes, the ones that connect us, make us feel nostalgic and the ones that keep us at the table until the last morsel has been enjoyed. Let your oven in on the secret – share oven settings for your favourite recipe for quick, convenient access and it'll be ready to go whenever you feel inspired!





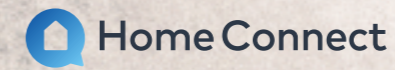
# N90 and N70 Oven Range




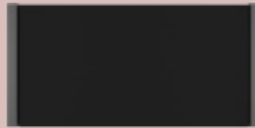
All single ovens have:  
• Circo Therm®









DISPLAY TYPE	SLIDE & HIDE® SINGLE OVENS - WITH ROTATING HANDLE AND SOFT/OPEN CLOSE			
	WITH INTENSIVE STEAM	WITH VARIO STEAM®		
 <b>FULL TOUCH 3 - 6.8" FULL TOUCH TFT DISPLAY</b>	 <b>B64FT53G0B</b> • 22 Functions • Intensive Steam • Multipoint Temperature Probe	 <b>B64VT73G0B</b> • 20 Functions • Vario Steam® • Pyrolytic • Multipoint Temperature Probe	 <b>B64CT73G0B</b> • 14 Functions • Pyrolytic • Multipoint Temperature Probe	
 <b>FULL TOUCH 2 - 4.1" FULL TOUCH TFT DISPLAY</b>	 <b>B64FS31G0B</b> • 22 Functions • Intensive Steam	 <b>B64VS71G0B</b> • 20 Functions • Vario Steam®	 <b>B64CS71G0B</b> • 14 Functions • Pyrolytic	 <b>B64CS51G0B</b> • 14 Functions
 <b>FULL TOUCH 1 - N70 3.7" FULL TOUCH TFT DISPLAY</b>			 <b>GRAPHITE GREY: B54CR71G0B</b> <b>STAINLESS STEEL: B54CR71NOB</b> • 14 Functions • Pyrolytic	 <b>GRAPHITE GREY: B54CR31G0B</b> <b>STAINLESS STEEL: B54CR31NOB</b> • 14 Functions
DISPLAY TYPE	DROP DOWN DOOR			
 <b>FULL TOUCH 1 - N70 3.7" FULL TOUCH TFT DISPLAY</b>			 <b>B24CR71G0B</b> • 14 Functions • Pyrolytic	 <b>B24CR31G0B</b> • 14 Functions







All compact ovens have:  
• Soft Open / Close door










COMPACT OVENS			COFFEE MACHINE	MICROWAVES		
WITH STEAM	WITH MICROWAVE			WITHOUT GRILL	WITH GRILL	DROP DOWN DOOR WITH GRILL
 <b>C24FT53G0B</b> • 22 Functions • Intensive Steam • Multipoint Temperature Probe	 <b>C24MT73G0B</b> • 20 Functions • Pyrolytic • Multipoint Temperature Probe		 <b>CL4TT11G0</b> • 11 Functions • Left Hinged Door			
 <b>C24FS31G0B</b> • 22 Functions • Intensive Steam	 <b>C24MS31G0B</b> • 20 Functions	 <b>C24MS71G0B</b> • 20 Functions • Pyrolytic				
	 <b>GRAPHITE GREY: C24MR21G0B</b> <b>STAINLESS STEEL: C24MR21NOB</b> • 20 Functions			 <b>LEFT HINGE: NL4WR21G1B</b> <b>RIGHT HINGE: NR4WR21G1B</b> • Up to 900w • 5 power levels	 <b>LEFT HINGE: NL4GR31G1B</b> <b>RIGHT HINGE: NR4GR31G1B</b> • MW + grill • Up to 900w	 <b>C24GR3XG1B</b> • Up to 1000w • 9 power levels • MW + grill
DISPLAY TYPE	14CM DRAWERS		29CM DRAWERS			
	ACCESSORY DRAWER	WARMING DRAWER	WARMING DRAWER			
All drawers have: • Push / Pull opening • 6 temperature settings (excludes Accessory Drawer)	 <b>N24ZA11G1</b>	 <b>GRAPHITE GREY: N24HA11G1B</b> <b>STAINLESS STEEL: N24HA11N1B</b>	 <b>GRAPHITE GREY N34HA11G1B</b> <b>STAINLESS STEEL: N34HA11N1B</b>			


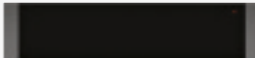

# N50 Oven Range

DISPLAY TYPE	SLIDE & HIDE® SINGLE OVENS - WITH FIXED HANDLE*		
 <p>GRAPHITE GREY WITH LCD DISPLAY</p>	 <p><b>B6ACH7HG0B</b> • 8 Functions • Pyrolytic • Home Connect</p>	 <p><b>B3ACE4HG0B</b> • 7 Functions</p>	
	 <p>STAINLESS STEEL WITH LCD DISPLAY</p>	 <p><b>B6ACH7HH0B</b> • 8 Functions • Pyrolytic • Home Connect</p>	 <p><b>B3ACE4HN0B</b> • 7 Functions</p>

DISPLAY TYPE	DOUBLE OVEN RANGE		
 <p>STAINLESS STEEL WITH LCD DISPLAY</p>	 <p><b>U2ACM7HH0B</b> • 8/4 Functions • Pyrolytic • Home Connect</p>	 <p><b>U1ACE5HN0B</b> • 6/4 Functions</p>	 <p><b>U1ACE2HN0B</b> • 5/4 Functions</p>
	 <p>GRAPHITE GREY WITH LCD DISPLAY</p>	 <p><b>U2ACM7HG0B</b> • 8/4 Functions • Pyrolytic • Home Connect</p>	

OVENS WITH DROP DOWN DOOR	COMPACT OVENS	MICROWAVES		
	 <p><b>C1AMG84G0B</b> • 3 Functions • Microwave</p>		 <p><b>HLAWD23G0B</b> • 5 Functions</p>	
 <p><b>B2ACH7HH0B</b> • 8 Functions • Pyrolytic • Home Connect</p>	 <p><b>B1ACE4HN0B</b> • 6 Functions</p>	 <p><b>C1AMG84N0B</b> • 3 Functions • Microwave</p>	 <p><b>HLAWD53N0B</b> • 5 Functions</p>	 <p><b>HLAWD23N0B</b> • 5 Functions</p>

BUILT UNDER DOUBLE OVEN RANGE
 <p><b>J1ACE2HN0B</b> • 20 Functions</p>

WARMING DRAWERS	14CM DRAWERS		29CM DRAWERS
	STAINLESS STEEL	GRAPHITE GREY	STAINLESS STEEL
All drawers have: • Push / Pull opening • 6 temperature settings (excludes Accessory Drawer)	 <p><b>N1AHA01N0B</b></p>	 <p><b>N1AHA01G0B</b></p>	 <p><b>N1AHA02N0B</b></p>

# Create a sleek and stylish finish with Seamless Combinations

## N90 and N70 Graphite Grey

**Seamless Combination® strips – Z11SZ60G0**  
For 45cm Compact Oven with 14cm Warming Drawer



**Seamless Combination® strips – Z11SZ80G0**  
For 60cm Single Slide & Hide® Oven with 29cm Warming Drawer

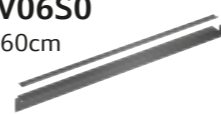


**Seamless Combination® strips – Z11SZ90G0**  
For 60cm Single Slide & Hide® Oven with 45cm Compact Oven (special aperture applies)



**Black Cosmetic Decor strip – Z13CV06S0**

For use between 60cm single and 45cm compact ovens



**Compact Oven – C24MT73G0B**  
Compact Pyrolytic Oven with Microwave and a Full Touch 3 display



**Warming Drawer – N24HA11G1B**  
N70 / N90

**Single Oven – B64VT73G0B**  
Slide & Hide® Single Oven with Pyrolytic, Vario Steam® and a Full Touch 3 display



**Warming Drawer – N34HA11G1B**  
Warming Drawer N90 / N70

**Compact Oven – C24FT53G0B**  
Compact Steam Oven with Intensive Steam and a Full Touch 3 display



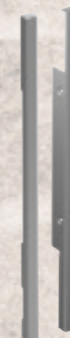
**Single Oven – B64FT53G0B**  
Slide & Hide® Single Oven with Intensive Steam and a Full Touch 3 display

## Mix and match your appliances

Create your perfect kitchen by choosing your very own appliance combination and cooking features to suit your lifestyle. With our Seamless Combination® strips you can seamlessly combine our N90 and N70 Collection of single ovens and compact appliances to create a sleek and stylish finish.

## N70 Stainless Steel

**Seamless Combination® strips – Z11SZ60X0**  
For 45cm Compact Oven with 14cm Warming Drawer



**Seamless Combination® strips – Z11SZ80X1**  
For 60cm Single Slide & Hide® Oven with 29cm Warming Drawer



**Seamless Combination® strips – Z11SZ90X0**  
For 60cm Single Slide & Hide® Oven with 45cm Compact Oven (special aperture applies)

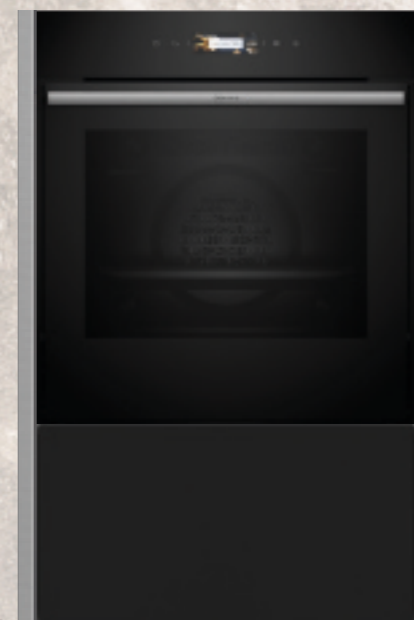


**Compact Oven – C24MR21N0B**  
Compact Oven with Microwave and a Full Touch 1 display



**Warming Drawer – N24HA11N1B**  
Warming Drawer N70 / N90

**Single Oven – B54CR31N0B**  
Single Oven with a Full Touch 1 display



**Warming Drawer – N34HA11N1B**  
Warming Drawer N90 / N70

**Compact Oven – C24MR21N0B**  
Compact Oven with Microwave and a Full Touch 1 display



**Single Oven – B54CR71N0B**  
Slide & Hide® Single Pyrolytic Oven with Full Touch 1 display

# Core Range Ovens - N90 / N70 Graphite Grey Trim

## N90 - FULL TOUCH 3 - 6.8" FULL TOUCH TFT DISPLAY.

Collection	Display Size	Oven Description	No of Functions	Steam	Model Code
N90	Full Touch 3	Slide & Hide® Single Oven with Intensive Steam	22	Intensive	B64FT53G0B
N90	Full Touch 3	Slide & Hide® Single Pyrolytic Oven with Vario Steam®	20	Vario Steam®	B64VT73G0B
N90	Full Touch 3	Slide & Hide® Single Pyrolytic Oven	14		B64CT73G0B
N90	Full Touch 3	Compact Steam Oven with Intensive Steam	22	Intensive	C24FT53G0B
N90	Full Touch 3	Compact Pyrolytic Oven with Microwave	20		C24MT73G0B
N90	Full Touch 3	Compact 45cm Coffee Machine	11		CL4TT11G0

## N90 - FULL TOUCH 2 - 4.1" FULL TOUCH TFT DISPLAY.

Collection	Display Size	Oven Description	No of Functions	Steam	Model Code
N90	Full Touch 2	Slide & Hide® Single Oven with Intensive Steam	22	Intensive	B64FS31G0B
N90	Full Touch 2	Slide & Hide® Single Pyrolytic Oven with Vario Steam®	20	Vario Steam®	B64VS71G0B
N90	Full Touch 2	Slide & Hide® Single Pyrolytic Oven	14		B64CS71G0B
N90	Full Touch 2	Slide & Hide® Single Oven	14		B64CS51G0B
N90	Full Touch 2	Compact Steam Oven	22	Intensive	C24FS31G0B
N90	Full Touch 2	Compact Oven with Microwave	20		C24MS31G0B
N90	Full Touch 2	Compact Pyrolytic Oven with Microwave	20		C24MS71G0B

## N70 - FULL TOUCH 1 - 3.7" FULL TOUCH TFT DISPLAY.

Collection	Display Size	Oven Description	No of Functions	Steam	Model Code
N70	Full Touch 1	Slide & Hide® Single Pyrolytic Oven	14		B54CR71G0B
N70	Full Touch 1	Slide & Hide® Single Oven	14		B54CR31G0B
N70	Full Touch 1	Single Pyrolytic Oven	14		B24CR71G0B
N70	Full Touch 1	Single Oven	14		B24CR31G0B
N70	Full Touch 1	Compact Oven with Microwave	20		C24MR21G0B
N70	Full Touch 1	Compact Oven with Microwave	20		C24GR3XG1B
N70	Full Touch 1	Microwave with Grill - Up to 900W - Left Hinged Door			NL4GR31G1B
N70	Full Touch 1	Microwave with Grill - Up to 900W - Right Hinged Door			NR4GR31G1B
N70	Full Touch 1	Microwave Only - Up to 900W, 21 Litre - Left Hinged Door			NL4WR21G1B
N70	Full Touch 1	Microwave Only - Up to 900W, 21 Litre - Right Hinged Door			NR4WR21G1B

## N90/N70 DRAWER RANGE

Collection	Drawer Range	Model Code
N90/70	29cm Warming Drawer	N34HA11G1B
N90/70	14cm Warming Drawer	N24HA11G1B
N90/70	14cm Accessory Drawer	N24ZA11G1

## CORE RANGE SEAMLESS COMBINATION STRIPS - GRAPHITE GREY

Collection	Drawer Range	Model Code
N90/70	2 x 105cm Side Strips, Metal Platform & Brackets to install an N90 or an N70 single oven with a 45cm compact oven in column. (Single aperture required)	Z11SZ90G0
N90/70	2 x 90cm Side Strips to install an N90 or an N70 single oven with a 29cm warming drawer in column.	Z11SZ80G0
N90/70	2 x 60cm Side Strips to install an N90 or an N70 compact oven with a 14cm drawer in column.	Z11SZ60G0
N90/70/50	Black Cosmetic Decor strip for use between 60cm single and 45cm compact ovens	Z13CV06S0

# Core Range Ovens - N70 Stainless Steel Trim

## N70 - FULL TOUCH 1 - 3.7" FULL TOUCH TFT DISPLAY.

Collection	Display Size	Oven Description	No of Functions	Steam	Model Code
N70	Full Touch 1	Slide & Hide® Single Pyrolytic Oven	14		B54CR71N0B
N70	Full Touch 1	Slide & Hide® Single Oven	14		B54CR31N0B
N70	Full Touch 1	Compact Oven with Microwave	20		C24MR21N0B

## N70 DRAWER RANGE

Collection	Drawer Range	Model Code
N70	29cm Warming Drawer	N34HA11N1B
N70	14 cm Warming Drawer	N24HA11N1B

## CORE RANGE SEAMLESS COMBINATION STRIPS - STAINLESS STEEL

Collection	Drawer Range	Model Code
N70	2 x 105cm Side Strips, Metal Platform & Brackets to install an N90 or an N70 single oven with a 45cm Compact oven in column. (Single aperture required)	Z11SZ80X1
N70	2 x 90cm Side Strips to install an N90 or an N70 single oven with a 29cm warming drawer in column.	Z11SZ90X0
N70	2 x 60cm Side Strips to install an N90 or an N70 compact oven with a 14cm drawer in column.	Z11SZ60X0



# Core Range Ovens - N50

NEFF N50 OVENS WITH SLIDE & HIDE® DOOR						
Collection	Display Size	Oven Description	No of Functions	Colour	Home Connect	Model Code
N50	LCD Display	Slide & Hide® Single Pyrolytic Ovens	8	Graphite Grey	Yes	B6ACH7HG0B
N50	LCD Display	Slide & Hide® Single Pyrolytic Ovens	8	Stainless Steel	Yes	B6ACH7HH0B
N50	LCD Display	Slide & Hide® Single Ovens	7	Graphite Grey		B3ACE4HG0B
N50	LCD Display	Slide & Hide® Single Ovens	7	Stainless Steel		B3ACE4HN0B
N50	LCD Display	Slide & Hide® Single Ovens	6	Stainless Steel		B4ACF1AN0B

NEFF N50 OVENS WITH DROP DOWN DOOR						
Collection	Display Size	Oven Description	No of Functions	Colour	Home Connect	Model Code
N50	LCD Display	Single Pyrolytic Ovens	8	Stainless Steel	Yes	B2ACH7HH0B
N50	LCD Display	Single Ovens	6	Stainless Steel		B1ACE4HN0B

NEFF N50 COMPACT OVENS & MICROWAVES						
Collection	Display Size	Oven description	No of Functions	Colour	Home Connect	Model Code
N50	LCD Display	Compact 45cm Microwave Combination Ovens	3	Graphite Grey		C1AMG84G0B
N50	LCD Display	Compact 45cm Microwave Combination Ovens	3	Stainless Steel		C1AMG84N0B
N50	White LCD Display	Microwave Ovens	5	Stainless Steel		HLAWD53N0B
N50	White LCD Display	Microwave Ovens	5	Graphite Grey		HLAWD23G0B
N50	White LCD Display	Microwave Ovens	5	Stainless Steel		HLAWD23N0B

N50 DOUBLE OVEN RANGE						
Collection	Display Size	Oven Description	No of Functions	Colour	Home Connect	Model Code
N50	LCD Display	Double Ovens Pyrolytic	8/4	Graphite Grey	Yes	U2ACM7HG0B
N50	LCD Display	Double Ovens Pyrolytic	8/4	Stainless Steel	Yes	U2ACM7HH0B
N50	LCD Display	Double Ovens	6/4	Stainless Steel		U1ACE5HN0B
N50	LCD Display	Double Ovens	5/4	Graphite Grey		U1ACE2HG0B
N50	LCD Display	Double Ovens	5/4	Stainless Steel		U1ACE2HN0B

N50 BUILT UNDER DOUBLE OVEN RANGE						
Collection	Display Size	Oven Description	No of Functions	Colour	Home Connect	Model Code
N50	LCD Display	Built under Double Ovens	6/4	Stainless Steel		J1ACE2HN0B

N50 DRAWER RANGE						
Collection	Drawer Range			Colour		Model Code
N50	29cm Warming Drawer			Stainless Steel		N1AHA02N0B
N50	14cm Warming Drawer			Graphite Grey		N1AHA01G0B
N50	14cm Warming Drawer			Stainless Steel		N1AHA01N0B

# Optional Accessories for Ovens and Compacts

NEFF OPTIONAL ACCESSORIES	DESCRIPTION	SUITABLE FOR
<b>SHELVES &amp; INTERNAL RAILS</b>		
Z11CR10X0	Full width wire shelf.	N90 & N70 single & compact ovens and N50 single ovens.
Z1608BX0	1 pair of level independent telescopic shelf rails with stop, fully extendible, for non-pyrolytic, non-full steam.	N70 & N90 ovens
Z1608CX0	1 pair of level independent telescopic shelf rails with stop, fully extendible.	N70 & N90 Pyrolytic ovens
Z1608DX0	1 pair of level independent telescopic shelf rails with stop, fully extendible.	N90 Steam ovens
Z1650BE0	2 piece, half depth enamel pan set.	N90 Steam ovens
Z11TI15X0	1 pair of level independent ClipRail telescopic rails.	N50 single and double ovens
<b>AIR FRYER ACCESSORY - AIR FRY FUNCTION AVAILABLE AS A HOME CONNECT DOWNLOAD.</b>		
Z1655CA0	Air Fryer & Grill tray.	Required for Air Fry Function, for NEFF ovens with Home Connect.
<b>INTERMEDIATE PLATFORM</b>		
Z11SZ00X0	Intermediate Floor for combining 2 ovens	N90 & N70
<b>SEAMLESS COMBINATION ACCESSORIES - GRAPHITE GREY</b>		
Z11SZ60G0	Seamless Combination strips - 45cm Compact & 14cm Drawer. Graphite Grey	N90 & N70 Compact Ovens & 14cm Warming Drawer. NOT suitable for 45cm N90 Coffee machine or C24GR3XG1B - N70 Compact Microwave.
Z11SZ80G0	Seamless Combination strips - 60cm Slide & Hide® Single Oven & 29cm Warming Drawer - Graphite Grey	N90 & N70 60cm Slide&Hide single ovens and 29cm warming drawer.
Z11SZ90G0	Seamless Combination strips, metal platform and brackets for Slide & Hide® single oven and selected 45cm Compact ovens in column. Graphite Grey	N90 & N70 single oven and selected 45cm Compact (special single aperture required; not suited to Coffee Machine and C24GR3XG1B)
<b>SEAMLESS COMBINATION ACCESSORIES - STAINLESS STEEL</b>		
Z11SZ60X0	Seamless Combination strips - 45cm Compact & 14cm Drawer. Stainless Steel	N90 & N70 Compact Ovens & 14cm Warming Drawer. NOT suitable for 45cm N90 Coffee machine.
Z11SZ80X1	Seamless Combination strips - 60cm Slide & Hide® Single Oven & 29cm Warming Drawer - Stainless Steel	N90 & N70 60cm Slide&Hide single ovens and 29cm warming drawer.
Z11SZ90X0	Seamless Combination strips, metal platform and brackets for Slide & Hide® single oven and selected 45cm Compact ovens in column. Stainless Steel	N90 & N70 single oven and selected 45cm Compact (special single aperture required; not suited to Coffee Machine)
<b>SEAMLESS COMBINATION ACCESSORIES - OTHER</b>		
Z13CV06S0	Cosmetic decor strip for use between 60cm single and 45cm compact ovens	N90, N70, N50

# N90 Full Touch 3 Single & Compact Ovens

- Electronic, 6.8" Premium Full Touch TFT Display on all models
- All ovens feature Circo Therm®



## 60CM SLIDE & HIDE® SINGLE OVEN

INTENSIVE STEAM B64FT53G0B   N90	VARIO STEAM®/PYROLYTIC B64VT73G0B   N90	PYROLYTIC B64CT73G0B   N90
<ul style="list-style-type: none"> <li>• 22 functions, inc. Full Steam</li> <li>• Multi Point Temperature Probe</li> <li>• Rotating handle</li> <li>• Soft open/close door</li> <li>• Graphite Grey</li> </ul>	<ul style="list-style-type: none"> <li>• 20 functions, inc. Vario Steam®</li> <li>• Multi Point Temperature Probe</li> <li>• Rotating handle</li> <li>• Soft open/close door</li> <li>• Graphite Grey</li> </ul>	<ul style="list-style-type: none"> <li>• 14 functions</li> <li>• Multi Point Temperature Probe</li> <li>• Rotating handle</li> <li>• Soft open/close door</li> <li>• Graphite Grey</li> </ul>

CONTROLS			
Electronic control	•	•	•
Temperature proposal with display	•	•	•
Heating up indicator / Residual heat indicator	•/•	•/•	•/•
Control panel lock / Safety switch off	•/•	•/•	•/•
Automatic programmes	•	•	•
SPECIAL FEATURES			
Door type	Slide & Hide® With Rotating Handle, SoftClose	Slide & Hide® With Rotating Handle, SoftClose	Slide & Hide® With Rotating Handle, SoftClose
Soft open door	•	•	•
Oven Assistant with Voice Control	•	•	•
Home Connect	•	•	•
Telescopic Rail	Available as an accessory	Available as an accessory	Available as an accessory
Multi Point Temperature Probe	•	•	•
Single Point Meat Probe	•	•	•
Rapid heat up	•	•	•
Baking and roasting assistant	•	•	•
FEATURES			
Electronic clock / timer	White TFT Display	White TFT Display	White TFT Display
Full glass inner door	•	•	•
Glazed door (Quadruple / Triple/Double)	Triple (CoolTouch door)	Quadruple (CoolTouch door)	Quadruple (CoolTouch door)
Internal lighting	LED Light	LED Light	LED Light
Water tank empty indicator	•	•	•
COOKING FUNCTIONS	22	20	14
FullSteam 100% / Intensive Steam	•	•	•
Vario Steam®	•	•	•
Steam Boost	•	•	•
Keep Warm with Added Steam / Reheat with Added Steam	•/•	•/•	•/•
Circo Therm®	•	•	•
Circo Therm® Gentle / Top / bottom heat Gentle	•/•/•	•/•/•	•/•/•
Bottom heat	•	•	•
Conventional heat / Conventional heat gentle	•/•	•/•	•/•
Low temperature cooking / Pre-heating	•/•	•/•	•/•
Circo Roasting / Hot air grilling	•/•	•/•	•/•
Full surface grill / Centre Surface Grill	•/•	•/•	•/•
Bread Baking Function / Pizza setting / Plate warming	•/•/•	•/•/•	•/•/•
Defrost / Dough Proving / Keep warm	•/•/•	•/•/•	•/•/•
Microwave Power Settings	W		
Microwave Cooking Programmes			
OVEN CLEANING			
Pyrolytic cleaning		•	•
Easy Clean® / Base Clean	•/•	•/•	•/•
Eco Clean Surface	•	•	•
Cleaning setting	•	•	•
Descaling programme	•	•	•
STANDARD ACCESSORIES			
Universal pan	1	1	1
Combination Grid	2	2	2
ENERGY EFFICIENCY <sup>1</sup>			
Energy efficiency class	A+	A+	A+
Energy consumption per cycle Circo Therm® kWh	0.69	0.69	0.69
Energy consumption per cycle conventional kWh	0.87	0.87	0.87
Oven capacity L	71	71	71
Time to cook standard load mins	44	44	44
Largest baking sheet area cm <sup>2</sup>	1290	1290	1290
TECHNICAL INFORMATION			
Total connected load kW	3.6	3.6	3.6

## 45CM COMPACT OVENS

INTENSIVE STEAM C24FT53G0B   N90	PYROLYTIC/WITH MICROWAVE C24MT73G0B   N90
<ul style="list-style-type: none"> <li>• 22 functions, inc. Full Steam</li> <li>• Multi Point Temperature Probe</li> <li>• Rotating handle</li> <li>• Soft open/close door</li> <li>• Graphite Grey</li> </ul>	<ul style="list-style-type: none"> <li>• 22 functions, inc. Pyrolytic</li> <li>• Multi Point Temperature Probe</li> <li>• Rotating handle</li> <li>• Soft open/close door</li> <li>• Graphite Grey</li> </ul>

CONTROLS		
Electronic control	•	•
Temperature proposal with display	•	•
Heating up indicator / Residual heat indicator	•/•	•/•
Control panel lock / Safety switch off	•/•	•/•
Automatic programmes	•	•
SPECIAL FEATURES		
Door type	Drop Down, soft close	Drop Down, soft close
Soft open door	•	•
Oven Assistant with Voice Control	•	•
Home Connect	•	•
Telescopic Rail	Available as an accessory	Available as an accessory
Multi Point Temperature Probe	•	•
Single Point Meat Probe	•	•
Rapid heat up	•	•
Baking and roasting assistant	•	•
FEATURES		
Electronic clock / timer	•	•
Full glass inner door	•	•
Glazed door (Quadruple / Triple/Double)	Triple (CoolTouch door)	Quadruple (CoolTouch door)
Internal lighting	LED Light	LED Light
Water tank empty indicator	•	•
COOKING FUNCTIONS	22	20
FullSteam 100% / Intensive Steam	•	•
Vario Steam®	•	•
Steam Boost	•	•
Keep Warm with Added Steam / Reheat with Added Steam	•/•	•/•
Circo Therm®	•	•
Circo Therm® Gentle / Top / bottom heat Gentle	•/•/•	•/•/•
Bottom heat	•/•	•/•
Conventional heat / Conventional heat gentle	•/•	•/•
Low temperature cooking / Pre-heating	•/•	•/•
Circo Roasting / Hot air grilling	•/•	•/•
Full surface grill / Centre Surface Grill	•/•	•/•
Bread Baking Function / Pizza setting / Plate warming	•/•/•	•/•/•
Defrost / Dough Proving / Keep warm	•/•/•	•/•/•
Microwave Power Settings	W	
Microwave Cooking Programmes		
OVEN CLEANING		
Pyrolytic cleaning		•
Easy Clean® / Base Clean	•/•	•/•
Eco Clean Surface	•	•
Cleaning setting	•	•
Descaling programme	•	•
STANDARD ACCESSORIES		
Universal pan	1	1
Combination Grid	2	2
ENERGY EFFICIENCY <sup>1</sup>		
Energy efficiency class	A+	A+
Energy consumption per cycle Circo Therm® kWh	0.61	0.61
Energy consumption per cycle conventional kWh	0.73	0.73
Oven capacity L	47	45
Time to cook standard load mins	40.5	44
Largest baking sheet area cm <sup>2</sup>	1290	1290
TECHNICAL INFORMATION		
Total connected load kW	3.3	3.6

## 45CM COFFEE CENTRE

CL4TT11G0   N90
<ul style="list-style-type: none"> <li>• Multiple international coffee variations</li> <li>• Strength and aroma management</li> <li>• Left hinged door</li> <li>• Graphite Grey</li> </ul>

OPERATION	
Premium Full Touch TFT Display Type	Full Touch 3
Screen Size	6.8"
CONTROLS	
Electronic control	•
Water level indicator	•
Descaling indicator	•
Automatic programmes	•
Child Safety	•
Child Lock	•
Home Connect	•
FEATURES	
Left-hand Door Hinge	•
Automatic milk amount detection	•
Height adjustable beverage outlet (max 15cm)	•
One Touch Double Cup	•
Illuminated coffee outlet, stage and interior	•
Water Pump (19 bar pressure)	•
6 adjustable grinding degree settings (multi-level)	•
30 min Auto-standby	•
FLAVOUR FEATURES	
Up to 29 Coffee Specialties	•
Coffee Pot Function	•
Aroma Select	•
Warm milk	•
Milk froth	•
Hot water function	•
Adjustable milk ratio	•
Intelligent strength adjustment	•
AromaDouble Shot	•
CLEANING	
Auto Milk Clean	•
Calc'nClean	•
Removable Brewing Unit	•
Dishwasher Proof (beverage outlet, drip tray/pans)	•
Automatic reminder	•
ACCESSORIES	
Test strip	•
Cleaning Tablets	•
Descaling Tablets	•
BRITA Intenza Water Filter	•
Care set	•
ENERGY EFFICIENCY	
Nominal Voltage V	220-240
Total connected load kW	1.5
Mains Frequency Hz	50 / 60
TECHNICAL INFORMATION	
Appliance Dimensions HxWxD mm	455x594x385
Mounted Dimensions HxWxD mm	449x558x376
Removable water tank L	2.4
Integrated milk container L	0.5
Bean container with aroma protection lid g	500
Cable length cm	170

# N90 Full Touch 2 Single & Compact Ovens

- Electronic, 4.1" Full Touch TFT Display on all models
- All ovens feature Circo Therm®



## 60CM SLIDE & HIDE® SINGLE OVEN

	INTENSIVE STEAM B64FS31G0B   N90	VARIO STEAM® B64VS71G0B   N90	PYROLYTIC B64CS71G0B   N90
	<ul style="list-style-type: none"> <li>• 22 functions, inc. Full Steam</li> <li>• Rotating handle</li> <li>• Soft open/close door</li> <li>• Graphite Grey</li> </ul>	<ul style="list-style-type: none"> <li>• 20 functions, inc. Vario Steam®</li> <li>• Rotating handle</li> <li>• Soft open/close door</li> <li>• Graphite Grey</li> </ul>	<ul style="list-style-type: none"> <li>• 14 functions</li> <li>• Rotating handle</li> <li>• Soft open/close door</li> <li>• Graphite Grey</li> </ul>
CONTROLS			
Electronic control	•	•	•
Temperature proposal with display	•	•	•
Heating up indicator / Residual heat indicator	•/•	•/•	•/•
Control panel lock / Safety switch off	•/•	•/•	•/•
Automatic programmes	•	•	•
SPECIAL FEATURES			
Door type	Slide & Hide® With Rotating Handle, SoftClose	Slide & Hide® With Rotating Handle, SoftClose	Slide & Hide® With Rotating Handle, SoftClose
Soft open door	•	•	•
Oven Assistant with Voice Control	•	•	•
Home Connect	•	•	•
Telescopic Rail	Available as an accessory	Available as an accessory	Available as an accessory
Multi Point Temperature Probe	•	•	•
Single Point Meat Probe	•	•	•
Rapid heat up	•	•	•
Baking and roasting assistant	•	•	•
FEATURES			
Electronic clock / timer	White TFT Display	White TFT Display	White TFT Display
Full glass inner door	•	•	•
Glazed door (Quadruple / Triple/Double)	Triple (CoolTouch door)	Quadruple (CoolTouch door)	Quadruple (CoolTouch door)
Internal lighting	LED Light	LED Light	LED Light
Water tank empty indicator	•	•	•
COOKING FUNCTIONS	23	20	14
FullSteam 100% / Intensive Steam	•	•	•
Vario Steam®	•	•	•
Steam Boost	•	•	•
Keep Warm with Added Steam / Reheat with Added Steam	•/•	•	•
Circo Therm®	•	•	•
Circo Therm® Gentle / Top / bottom heat Gentle	•/•/•	•/•/•	•/•/•
Bottom heat	•	•	•
Conventional heat / Conventional heat gentle	•/•	•/•	•/•
Low temperature cooking / Pre-heating	•/•	•/•	•/•
Circo Roasting / Hot air grilling	•/•	•/•	•/•
Full surface grill / Centre Surface Grill	•/•	•/•	•/•
Bread Baking Function / Pizza setting / Plate warming	•/•/•	•/•/•	•/•/•
Defrost / Dough Proving / Keep warm	•/•/•	/•	/•/•
Microwave Power Settings	W		
Microwave Cooking Programmes			
OVEN CLEANING			
Pyrolytic cleaning	•	•	•
Easy Clean® / Base Clean	•/•	•/•	•/•
Eco Clean Surface	•	•	•
Cleaning setting	•	•	•
Descaling programme	•	•	•
STANDARD ACCESSORIES			
Universal pan	1	1	1
Steam Container	3		
Combination Grid	2	2	2
ENERGY EFFICIENCY:			
Energy efficiency class	A+	A+	A+
Energy consumption per cycle Circo Therm® kWh	0.69	0.69	0.69
Energy consumption per cycle conventional kWh	0.87	0.87	0.87
Oven capacity L	71	71	71
Time to cook standard load mins	44	44	44
Largest baking sheet area cm²	1290	1290	1290
TECHNICAL INFORMATION			
Total connected load kW	3.6	3.6	3.6

## 60CM SLIDE & HIDE® SINGLE OVEN



	INTENSIVE STEAM C24FS31G0B   N90	PYROLYTIC/WITH MICROWAVE C24MS71G0B   N90	PYROLYTIC WITH MICROWAVE C24MS31G0B   N90
	<ul style="list-style-type: none"> <li>• 22 functions, inc. Full Steam</li> <li>• Soft open/close door</li> <li>• Graphite Grey</li> </ul>	<ul style="list-style-type: none"> <li>• 20 functions, inc. Pyrolytic</li> <li>• Soft open/close door</li> <li>• Graphite Grey</li> </ul>	<ul style="list-style-type: none"> <li>• 20 functions, inc. Pyrolytic</li> <li>• Soft open/close door</li> <li>• Graphite Grey</li> </ul>
	<ul style="list-style-type: none"> <li>• 14 functions</li> <li>• Rotating handle</li> <li>• Soft open/close door</li> <li>• Graphite Grey</li> </ul>		
CONTROLS			
Electronic control	•	•	•
Temperature proposal with display	•	•	•
Heating up indicator / Residual heat indicator	•/•	•/•	•/•
Control panel lock / Safety switch off	•/•	•/•	•/•
Automatic programmes	•	•	•
SPECIAL FEATURES			
Door type	Slide & Hide® With Rotating Handle, SoftClose	Drop Down, soft close	Drop Down, soft close
Soft open door	•	•	•
Oven Assistant with Voice Control	•	•	•
Home Connect	•	•	•
Telescopic Rail	Available as an accessory	Available as an accessory	Available as an accessory
Multi Point Temperature Probe	•	•	•
Single Point Meat Probe	•	•	•
Rapid heat up	•	•	•
Baking and roasting assistant	•	•	•
FEATURES			
Electronic clock / timer	White TFT Display	•	•
Full glass inner door	•	•	•
Glazed door (Quadruple / Triple/Double)	Triple (CoolTouch door)	Triple (CoolTouch door)	Quadruple (CoolTouch door)
Internal lighting	LED Light	LED Light	LED Light
Water tank empty indicator	•	•	•
COOKING FUNCTIONS	14		
FullSteam 100% / Intensive Steam	•	•	•
Vario Steam®	•	•	•
Steam Boost	•	•	•
Keep Warm with Added Steam / Reheat with Added Steam	•/•	•	•
Circo Therm®	•	•	•
Circo Therm® Gentle / Top / bottom heat Gentle	•/•/•	•/•/•	•/•/•
Bottom heat	•	•	•
Conventional heat / Conventional heat gentle	•/•	•/•	•/•
Low temperature cooking / Pre-heating	•/•	•/•	•/•
Circo Roasting / Hot air grilling	•/•	•/•	•/•
Full surface grill / Centre Surface Grill	•/•	•/•	•/•
Bread Baking Function / Pizza setting / Plate warming	•/•/•	•/•/•	•/•/•
Defrost / Dough Proving / Keep warm	•/•/•	•/•/•	•/•/•
Microwave Power Settings			90, 180, 360, 600, boost
Microwave Cooking Programmes			•
OVEN CLEANING			
Pyrolytic cleaning	•	•	•
Easy Clean® / Base Clean	•/•	•/•	•/•
Eco Clean Surface	•	•	•
Cleaning setting	•	•	•
Descaling programme	•	•	•
STANDARD ACCESSORIES			
Universal pan	1		
Steam Container			
Combination Grid	2		
ENERGY EFFICIENCY:			
Energy efficiency class	A+	A+	
Energy consumption per cycle Circo Therm® kWh	0.69	0.61	
Energy consumption per cycle conventional kWh	0.87	0.73	
Oven capacity L	71	47	45
Time to cook standard load mins	44	40.5	
Largest baking sheet area cm²	1290	1290	1290
TECHNICAL INFORMATION			
Total connected load kW	3.6	3.3	3.6

# N70 Full Touch 1 Single Ovens





- Electronic, 3.7" Full Touch TFT Display on all models
- All ovens feature Circo Therm®



## 60CM SLIDE & HIDE® SINGLE OVEN

	PYROLYTIC B54CR71G0B   N70	PYROLYTIC / STAINLESS STEEL B54CR71N0B   N70
	<ul style="list-style-type: none"> <li>• 14 functions</li> <li>• Rotating handle</li> <li>• Soft open door</li> <li>• Graphite Grey</li> </ul> 	<ul style="list-style-type: none"> <li>• 14 functions</li> <li>• Rotating handle</li> <li>• Soft open door</li> <li>• Stainless Steel</li> </ul> 
OPERATION		
Premium Full Touch TFT Display Type	Full Touch 1	Full Touch 1
Screen Size	3.7"	3.7"
CONTROLS		
Electronic control	●	●
Temperature proposal with display	●	●
Heating up indicator / Residual heat indicator	●/●	●/●
Control panel lock / Safety switch off	●/●	●/●
Automatic programmes	●	●
SPECIAL FEATURES		
Door type	Slide & Hide® With Rotating Handle, SoftClose	Slide & Hide® With Rotating Handle, SoftClose
Soft open door	●	●
Oven Assistant with Voice Control	●	●
Home Connect	●	●
Telescopic Rail	Available as an accessory	Available as an accessory
Rapid heat up	●	●
Baking and roasting assistant	●	●
FEATURES		
Electronic clock / timer	White TFT Display	White TFT Display
Full glass inner door	●	●
Glazed door (Quadruple / Triple / Double)	Quadruple (CoolTouch door)	Quadruple (CoolTouch door)
Internal lighting	LED Light	LED Light
Water tank empty indicator		
COOKING FUNCTIONS	14	14
Circo Therm®	●	●
Circo Therm® Gentle / Top / bottom heat Gentle	●/●/●	●/●/●
Bottom heat	●	●
Conventional heat / Conventional heat gentle	●/●	●/●
Low temperature cooking / Pre-heating	●/●	●/●
Circo Roasting / Hot air grilling	/●	/●
Full surface grill / Centre Surface Grill	●/●	●/●
Bread Baking Function / Pizza setting / Plate warming	/●/●	/●/●
Defrost / Dough Proving / Keep warm	/●/●	/●/●
OVEN CLEANING		
Pyrolytic cleaning	●	●
Easy Clean® / Base Clean	●/●	●/●
Eco Clean Surface	●	●
Cleaning setting	●	●
STANDARD ACCESSORIES		
Universal pan	1	1
Combination Grid	2	2
ENERGY EFFICIENCY:		
Energy efficiency class	A+	A+
Energy consumption per cycle Circo Therm® kWh	0.69	0.69
Energy consumption per cycle conventional kWh	0.87	0.87
Oven capacity L	71	71
Time to cook standard load mins	44	44
Largest baking sheet area cm²	1290	1290
TECHNICAL INFORMATION		
Total connected load kW	3.6	3.6

## 60CM SLIDE & HIDE® SINGLE OVEN




	B54CR31G0B   N70	STAINLESS STEEL B54CR31N0B   N70	PYROLYTIC/FIXED HANDLE B24CR71G0B   N70	ROTATING HANDLE B24CR31G0B   N70
	<ul style="list-style-type: none"> <li>• 14 functions</li> <li>• Rotating handle</li> <li>• Soft open door</li> <li>• Graphite Grey</li> </ul> 	<ul style="list-style-type: none"> <li>• 14 functions</li> <li>• Rotating handle</li> <li>• Soft open door</li> <li>• Stainless Steel</li> </ul> 	<ul style="list-style-type: none"> <li>• 14 functions</li> <li>• Fixed handle</li> <li>• Soft open/close door</li> <li>• Graphite Grey</li> </ul> 	<ul style="list-style-type: none"> <li>• 14 functions</li> <li>• Rotating handle</li> <li>• Soft open/close door</li> <li>• Stainless Steel</li> </ul> 
OPERATION				
Premium Full Touch TFT Display Type	Full Touch 1	Full Touch 1	Full Touch 1	Full Touch 1
Screen Size	3.7"	3.7"	3.7"	3.7"
CONTROLS				
Electronic control	●	●	●	●
Temperature proposal with display	●	●	●	●
Heating up indicator / Residual heat indicator	●/●	●/●	●/●	●/●
Control panel lock / Safety switch off	●/●	●/●	●/●	●/●
Automatic programmes	●	●	●	●
SPECIAL FEATURES				
Door type	Slide & Hide® With Rotating Handle, SoftClose	Slide & Hide® With Rotating Handle, SoftClose	Drop Down Door With Rotating Handle, SoftClose	Drop Down Door With Rotating Handle, SoftClose
Soft open door	●	●	●	●
Oven Assistant with Voice Control	●	●	●	●
Home Connect	●	●	●	●
Telescopic Rail	Available as an accessory	Available as an accessory	Available as an accessory	Available as an accessory
Rapid heat up	●	●	●	●
Baking and roasting assistant	●	●	●	●
FEATURES				
Electronic clock / timer	White TFT Display	White TFT Display	White TFT Display	White TFT Display
Full glass inner door	●	●	●	●
Glazed door (Quadruple / Triple / Double)	Triple (CoolTouch door)	Quadruple (CoolTouch door)	Quadruple (CoolTouch door)	Triple (CoolTouch door)
Internal lighting	LED Light	LED Light	LED Light	LED Light
Water tank empty indicator				
COOKING FUNCTIONS	14	14	14	14
Circo Therm®	●	●	●	●
Circo Therm® Gentle / Top / bottom heat Gentle	●/●/●	●/●/●	●/●/●	●/●/●
Bottom heat	●	●	●	●
Conventional heat / Conventional heat gentle	●/●	●/●	●/●	●/●
Low temperature cooking / Pre-heating	●/●	●/●	●/●	●/●
Circo Roasting / Hot air grilling	/●	/●	/●	/●
Full surface grill / Centre Surface Grill	●/●	●/●	●/●	●/●
Bread Baking Function / Pizza setting / Plate warming	/●/●	/●/●	/●/●	/●/●
Defrost / Dough Proving / Keep warm	/●/●	/●/●	/●/●	/●/●
OVEN CLEANING				
Pyrolytic cleaning	●	●	●	●
Easy Clean® / Base Clean	●/●	●/●	●/●	●/●
Eco Clean Surface	●	●	●	●
Cleaning setting	●	●	●	●
STANDARD ACCESSORIES				
Universal pan	1	1	1	1
Combination Grid	2	2	2	2
ENERGY EFFICIENCY:				
Energy efficiency class	A+	A+	A+	A+
Energy consumption per cycle Circo Therm® kWh	0.69	0.69	0.69	0.69
Energy consumption per cycle conventional kWh	0.87	0.87	0.87	0.87
Oven capacity L	71	71	71	71
Time to cook standard load mins	44	44	44	44
Largest baking sheet area cm²	1290	1290	1290	1290
TECHNICAL INFORMATION				
Total connected load kW	3.6	3.6	3.6	3.6


1 Measured according to the EN50304, 65/2014. 2 For further information on inverter technology, please go to [www.neffhome.com/uk](http://www.neffhome.com/uk). 3 For inverter models, the maximum setting offers a time limited boost option for heating liquids. To ensure optimal results and to protect the appliance, the microwave power output is reduced in stages over the first few minutes down to the next power level (600W). After a cooling period, the microwave boost option will be available once more.



# N70 Full Touch 1 Compact Ovens with Microwave & Compact Microwaves

- Electronic, 3.7" Full Touch TFT Display on all models

	45CM COMPACT OVENS		45CM COMPACT MICROWAVE
	WITH MICROWAVE C24MR21G0B   N70	WITH MICROWAVE C24MR21N0B   N70	WITH GRILL C24GR3XG1B   N70
	<ul style="list-style-type: none"> <li>• 20 functions</li> <li>• Soft open/close door</li> <li>• Graphite Grey</li> </ul> 	<ul style="list-style-type: none"> <li>• 20 functions</li> <li>• Soft open/close door</li> <li>• Stainless Steel</li> </ul> 	<ul style="list-style-type: none"> <li>• MW plus Grill with combination option, up to 1000W MW output</li> <li>• Soft close door</li> <li>• Graphite Grey</li> </ul> 
OPERATION			
Premium Full Touch TFT Display Type	Full Touch 1	Full Touch 1	Full Touch 1
Screen Size	3.7"	3.7"	3.7"
CONTROLS			
Electronic control	•	•	•
Temperature proposal with display	•	•	•
Heating up indicator / Residual heat indicator	•/•	•/•	•/•
Control panel lock / Safety switch off	•/•	•/•	•/•
Automatic programmes	•	•	•
SPECIAL FEATURES			
Door type	Drop Down, soft close	Drop Down, soft close	Drop Down, soft close
Soft open door	•	•	•
Oven Assistant with Voice Control	•	•	•
Home Connect	•	•	•
Telescopic Rail	Available as an accessory	Available as an accessory	
Multi Point Temperature Probe			
Single Point Meat Probe			
Rapid heat up	•	•	•
Baking and roasting assistant	•	•	
FEATURES			
Electronic clock / timer	•	•	•
Full glass inner door	•	•	•
Glazed door (Quadruple / Triple/Double)	Triple (CoolTouch door)	Triple (CoolTouch door)	Triple (CoolTouch door)
Internal lighting	LED Light	LED Light	LED Light
Water tank empty indicator			
COOKING FUNCTIONS	1 heating mode	1 heating mode	2 heating mode
FullSteam 100% / Intensive Steam			
Circo Therm® with Added Steam			
Dough Proving with Added Steam			
Keep Warm with Added Steam			
Reheat with Added Steam			
Sous-vide cooking			
Circo Therm®			
Circo Therm® Gentle / Top / bottom heat Gentle			
Bottom heat			
Conventional heat / Conventional heat gentle			
Low temperature cooking / Pre-heating			
Circo Roasting / Hot air grilling			
Full surface grill / Centre Surface Grill			•/
Bread Baking Function / Pizza setting / Dough proving			
Defrost / Plate warming / Keep warm			
Microwave Power Settings	W 90, 180, 360, 600, boost	90, 180, 360, 600, boost	90, 180, 360, 600, 1000
Microwave Cooking Programmes	•	•	3 Defrost / 4 Cooking
OVEN CLEANING			
Pyrolytic cleaning			
Easy Clean® / Base Clean	•/•	•/•	•/•
Eco Clean Surface			
Cleaning setting	•	•	•
Descaling programme			
ENERGY EFFICIENCY <sup>1</sup>			
Energy efficiency class			
Energy consumption per cycle Circo Therm®	kWh		
Energy consumption per cycle conventional	kWh		
Oven capacity	L	45	45
Time to cook standard load	mins		36
Largest baking sheet area	cm²	1290	1290
TECHNICAL INFORMATION			
Total connected load	kW	3.6	3.6

	38CM MICROWAVE			
	WITH GRILL/LEFT OPENING NL4GR31G1B   N70	WITH GRILL/RIGHT OPENING NR4GR31G1B   N70	WITHOUT GRILL/LEFT OPENING NL4WR21G1B   N70	WITHOUT GRILL/RIGHT OPENING NR4WR21G1B   N70
	<ul style="list-style-type: none"> <li>• MW plus Grill with combination option, up to 900W MW output, 21L</li> <li>• Left hinged door</li> <li>• Graphite Grey</li> </ul> 	<ul style="list-style-type: none"> <li>• MW plus Grill with combination option, up to 900W MW output, 21L</li> <li>• Right hinged door</li> <li>• Graphite Grey</li> </ul> 	<ul style="list-style-type: none"> <li>• MW only, up to 900W MW output, 21L</li> <li>• Left hinged door</li> <li>• Graphite Grey</li> </ul> 	<ul style="list-style-type: none"> <li>• MW only, up to 900W MW output, 21L</li> <li>• Right hinged door</li> <li>• Graphite Grey</li> </ul> 
	Full Touch 1 3.7"	Full Touch 1 3.7"	Full Touch 1 3.7"	Full Touch 1 3.7"
	• • •/• •/• •	• • •/• •/• •	• • •/• •/• •	• • •/• •/• •
	Left hinged door	Right hinged door	Left hinged door	Right hinged door
	•	•	•	•
	• •	• •	• •	• •
	Double LED Light	Double LED Light	Double LED Light	Double LED Light
	2 heating mode	2 heating mode	1 heating mode	1 heating mode
	•/	•/		
	90, 180, 360, 600, 900 3 Defrost / 4 Cooking	90, 180, 360, 600, 900 3 Defrost / 4 Cooking	90, 180, 360, 600, 900 3 Defrost / 4 Cooking	90, 180, 360, 600, 900 3 Defrost / 4 Cooking
	•/•	•/•	•/•	•/•
	•	•	•	•
	21	21	21	21
	1.99	1.99	1.22	1.22





<sup>1</sup> Measured according to the EN50304, 65/2014. <sup>2</sup> For further information on inverter technology, please go to [www.neffhome.com/uk](http://www.neffhome.com/uk). <sup>3</sup> For Inverter models, the maximum setting offers a time limited boost option for heating liquids. To ensure optimal results and to protect the appliance, the microwave power output is reduced in stages over the first few minutes down to the next power level (600W). After a cooling period, the microwave boost option will be available once more.

# N50 Single Ovens

- Dial Control & LCD Screen on all models
- All ovens feature Circo Therm®

60CM SLIDE & HIDE® SINGLE OVEN			
PYROLYTIC/FIXED HANDLE B6ACH7HG0B   N50	PYROLYTIC/FIXED HANDLE B6ACH7HH0B   N50	FIXED HANDLE B3ACE4HG0B   N50	
<ul style="list-style-type: none"> <li>• 8 functions</li> <li>• Electronic, LCD display</li> <li>• 1 ClipRail</li> <li>• Fixed handle</li> <li>• Graphite Grey</li> </ul>	<ul style="list-style-type: none"> <li>• 8 functions</li> <li>• Electronic, LCD display</li> <li>• 1 ClipRail</li> <li>• Fixed handle</li> <li>• Stainless Steel</li> </ul>	<ul style="list-style-type: none"> <li>• 7 functions</li> <li>• LCD display</li> <li>• 1 ClipRail</li> <li>• Fixed handle</li> <li>• Graphite Grey</li> </ul>	
			

OPERATION			
NEFF Design Retractable controls	•	•	•
CONTROLS			
Electronic control	•	•	
Temperature proposal with display	•/•	•/•	
Heating up indicator / Residual heat indicator	•/•	•/•	•/
Control panel lock / Safety switch off	•/•	•/•	•/
Automatic programmes			
SPECIAL FEATURES			
Door type	Slide & Hide® with Fixed Handle	Slide & Hide® with Fixed Handle	Slide & Hide® with Fixed Handle
Soft open door			
Oven Assistant with Voice Control			
Home Connect	•	•	
Telescopic Rail	1 x Clip rail	1 x Clip rail	1 x Clip rail
Multi Point Temperature Probe			
Single Point Meat Probe			
Rapid heat up			
Baking and roasting assistant			
FEATURES			
Electronic clock / timer	White LCD Display	White LCD Display	White LCD Display
Full glass inner door	•	•	•
Glazed door (Quadruple / Triple / Double)	Quadruple	Quadruple	Triple
Internal lighting	1 x 25W Halogen	1 x 25W Halogen	1 x 25W Halogen
Water tank empty indicator			
COOKING FUNCTIONS			
	14	14	14
Circo Therm®	3D	3D	3D
Circo Therm® Gentle / Top/bottom heat Gentle	•/	•/	•/
Top/bottom heat / Bottom heat	•/•	•/•	•/•
Circo Roasting	•	•	•
Full surface grill/ Centre Surface Grill	•/	•/	•/
Bread baking	•	•	
Low temperature cooking			
Pizza setting/ Circo Therm® Intensive	•	•	•
Defrost			
Dough Proving			
Plate warming/ Keep Warm			
OVEN CLEANING			
Pyrolytic cleaning	•	•	
Easy Clean® / Base Clean	•/	•/	•/
Eco Clean Surface			back
Cleaning setting	•	•	
Descaling programme			
STANDARD ACCESSORIES			
Universal pan	1	1	1
Steam Container			
Wire shelf	2	2	2
ENERGY EFFICIENCY <sup>1</sup>			
Energy efficiency class	A	A	A
Energy consumption per cycle Circo Therm® kWh	0.81	0.81	0.81
Energy consumption per cycle conventional kWh	1.04	1.04	1.04
Oven capacity L	71	71	71
Time to cook standard load mins	58	58	58
Largest baking sheet area cm <sup>2</sup>	1290	1290	1290
TECHNICAL INFORMATION			
Total connected load kW	2.9	2.9	2.9

60CM SLIDE & HIDE® SINGLE OVEN		60CM SINGLE OVEN - DROP DOWN DOOR	
FIXED HANDLE B3ACE4HN0B   N50	ROTATING HANDLE B4ACF1AN0B   N50	PYROLYTIC B2ACH7HH0B   N50	B1ACE4HN0B   N50
<ul style="list-style-type: none"> <li>• 7 functions</li> <li>• LCD display</li> <li>• 1 ClipRail</li> <li>• Fixed handle</li> <li>• Stainless Steel</li> </ul>	<ul style="list-style-type: none"> <li>• 6 functions</li> <li>• LCD display</li> <li>• Rotating handle</li> <li>• Stainless Steel</li> </ul>	<ul style="list-style-type: none"> <li>• 8 functions</li> <li>• Electronic, LCD display</li> <li>• 1 ClipRail</li> <li>• Stainless Steel</li> </ul>	<ul style="list-style-type: none"> <li>• 6 functions</li> <li>• LCD display</li> <li>• 1 ClipRail</li> <li>• Stainless Steel</li> </ul>
			



•	•	•	•
•/	•/	•/•	•/
•/	•/	•/•	•/
Slide & Hide® with Fixed Handle	Slide & Hide® with Rotating Handle	Drop Down Door	Drop Down Door
1 x Clip rail		1 x Clip rail	1 x Clip rail
White LCD Display	White LCD Display	White LCD Display	White LCD Display
•	•	•	•
Triple	Triple	Quadruple	Double
1 x 25W Halogen	1 x 25W Halogen	1 x 25W Halogen	1 x 25W Halogen
14	14	14	14
3D	3D	3D	3D
•/	•/	•/	•/
•/•	•/•	•/•	•/•
•	•	•	•
•/	•/	•/	•/
•	•	•	•
•/		•/	•/
back	back		back
1	1	1	1
2	2	2	2
A	A	A	A
0.81	0.81	0.81	0.81
1.04	1.04	0.99	0.97
71	71	71	71
58	58	50	44
1290	1290	1290	1290
2.9	2.9	2.9	2.9

<sup>1</sup> Measured according to the EN50304, 65/2014. <sup>2</sup> For further information on inverter technology, please go to [www.neffhome.com/uk/](http://www.neffhome.com/uk/). <sup>3</sup> For Inverter models, the maximum setting offers a time limited boost option for heating liquids. To ensure optimal results and to protect the appliance, the microwave power output is reduced in stages over the first few minutes down to the next power level (600W). After a cooling period, the microwave boost option will be available once more.

# N50 Compact Ovens with Microwave

- Dial Control & LCD Screen on all models


## 45CM COMPACT OVENS

WITH MICROWAVE C1AMG84G0B   N50	WITH MICROWAVE C1AMG84N0B   N50
<ul style="list-style-type: none"> <li>• 3 functions</li> <li>• Electronic, LCD Display</li> <li>• MW &amp; Oven with combination options</li> <li>• 15 automatic programmes</li> <li>• Graphite Grey</li> </ul>	<ul style="list-style-type: none"> <li>• 3 functions</li> <li>• Electronic, LCD Display</li> <li>• MW &amp; Oven with combination options</li> <li>• 15 automatic programmes</li> <li>• Stainless Steel</li> </ul>
	

OPERATION		
Premium Full Touch TFT Display Type		
Screen Size		
NEFF Design Retractable controls	•	•
CONTROLS		
Electronic control	•	•
Temperature proposal with Display		
Heating up indicator/ Safety switch off	/•	/•
Automatic programmes	15	15
SPECIAL FEATURES		
Home Connect		
Door Type	Drop Down Door	Drop Down Door
Soft close / open door		
Telescopic Rail		
MultiPoint Temperature Probe		
Baking and roasting assistant		
FEATURES		
Display Type	White LCD display	White LCD display
Full glass inner door		
Glazed door (Quadruple/Triple/Double)	Triple	Triple
Internal lighting	1 x 1W LED	1 x 1W LED
COOKING FUNCTIONS		
Hot Air	•	•
Hot Air Gentle		
Top/bottom heat		
Conventional heat Eco		
Fan & Grill	•	•
Full surface grill/ Centre surface grill	•/	•/
Bread baking		
Bottom heat		
Low temperature cooking		
Pizza setting/ Circo Therm® Intensive	•	•
Defrost		
Dough Proving		
Plate warming/ Keep warm		
Microwave	•	•
Microwave combinable	•	•
OVEN CLEANING		
Pyrolytic cleaning		
Easy Clean®/ Base Clean		
Eco Clean Surfaces		
Cleaning setting		
STANDARD ACCESSORIES		
Wire shelf	1	1
Universal pan		
Ceramic Glass Base	•	•
STANDARD ACCESSORIES		
Energy efficiency index		
Energy efficiency class		
Energy consumption per cycle Circo Therm® kWh		
Energy consumption per cycle conventional kWh		
Oven capacity (L)	44	44
Time to cook standard load mins		
Largest baking sheet area cm²		
TECHNICAL INFORMATION		
Total connected load kW	3.3	3.3

# N50 Compact Microwaves

## 38CM MICROWAVES



900W HLAWD53N0B   N50	800W HLAWD23G0B   N50	800W HLAWD23N0B   N50
<ul style="list-style-type: none"> <li>• Up to 900W</li> <li>• 25L</li> <li>• 5 power levels</li> <li>• Electronic, white LED display</li> <li>• Stainless Steel</li> </ul>	<ul style="list-style-type: none"> <li>• Up to 800W</li> <li>• 25L</li> <li>• 5 power levels</li> <li>• Electronic, white LED display</li> <li>• Graphite Grey</li> </ul>	<ul style="list-style-type: none"> <li>• Up to 800W</li> <li>• 25L</li> <li>• 5 power levels</li> <li>• Electronic, white LED display</li> <li>• Stainless Steel</li> </ul>
		

OPERATION			
Retractable control with push buttons	•	•	•
Control panel position	Right, vertical	Right, vertical	Right, vertical
FUNCTIONS			
Microwave	•	•	•
Quartz Grill			
Microwave & grill combination			
FEATURES			
Installation position	Tall housing	Wall unit or Tall housing	Wall unit or Tall housing
Full width frameless design	•	•	•
Electronic Clock	White LED display	White LED display	White LED display
ClearText Display			
Automatic programmes	7	7	7
Memory settings	1	1	1
Maximum cooking time duration (mins)	99	99	99
Electronic door opening			
Push button door opening	•	•	•
Hinge	Left	Left	Left
Internal light	1 x 3W LED	1 x 3W LED	1 x 3W LED
Stainless steel interior	•	•	•
STANDARD ACCESSORIES			
Glass turntable	1	1	1
Glass pan / Wire Grid			
TECHNICAL INFORMATION			
Appliance Dimensions HxWxD mm	382 x 594 x 388	382 x 594 x 317	382 x 594 x 317
Cavity Dimensions HxWxD mm	208 x 328 x 369	201 x 308 x 282	201 x 308 x 282
Oven capacity L	25	20	20
Inverter technology <sup>1</sup>			
Maximum power Microwave <sup>2</sup> W	900	800	800
Number of Microwave power levels	5	5	5
Microwave distribution	Turntable	Turntable	Turntable
Turntable diameter mm	315	255	255
Total connected load kW	1.4	1.2	1.2
Minimum fuse protection Amps	10	10	10
Cable length cm	130	130	130
GB plug	•	•	•

# N50 Double Ovens & Built-Under Double Ovens

- Dial Control & LCD Screen on all models
- All ovens feature a Circo Therm® Main Oven

**DOUBLE OVENS**

PYROLYTIC U2ACM7HG0B   N50	PYROLYTIC U2ACM7HH0B   N50
<ul style="list-style-type: none"> <li>• 8 functions</li> <li>• 1 ClipRail</li> <li>• MeatProbe</li> <li>• 2nd oven 4 functions</li> <li>• Electronic, LCD display</li> <li>• Pyrolytic for both ovens</li> <li>• Graphite Grey</li> </ul>	<ul style="list-style-type: none"> <li>• 8 functions</li> <li>• 1 ClipRail</li> <li>• MeatProbe</li> <li>• 2nd oven 4 functions</li> <li>• Electronic, LCD display</li> <li>• Pyrolytic for both ovens</li> <li>• Stainless Steel</li> </ul>
	

**DOUBLE OVENS**      **BUILT-UNDER DOUBLE OVEN**

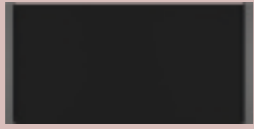
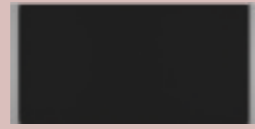
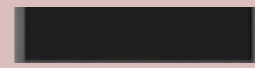
ECO CLEAN BOTH OVENS U1ACE5HN0B   N50	U1ACE2HG0B   N50	U1ACE2HN0B   N50	J1ACE2HN0B   N50
<ul style="list-style-type: none"> <li>• 6 functions</li> <li>• 1 ClipRail</li> <li>• LCD display</li> <li>• 2nd oven 4 functions</li> <li>• Eco Clean roof, back and sides for both ovens</li> <li>• Stainless Steel</li> </ul>	<ul style="list-style-type: none"> <li>• 5 functions</li> <li>• 1 ClipRail</li> <li>• LCD display</li> <li>• 2nd oven 4 functions</li> <li>• Graphite Grey</li> </ul>	<ul style="list-style-type: none"> <li>• 5 functions</li> <li>• 1 ClipRail</li> <li>• LCD display</li> <li>• 2nd oven 4 functions</li> <li>• Stainless Steel</li> </ul>	<ul style="list-style-type: none"> <li>• 6 functions</li> <li>• 1 ClipRail</li> <li>• LCD display</li> <li>• 2nd oven 3 functions</li> <li>• Stainless Steel</li> </ul>
			


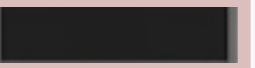



DESIGN	U2ACM7HG0B   N50		U2ACM7HH0B   N50	
NEFF Design Retractable controls	•	•	•	•
Electronic clock / timer	White LCD display		White LCD display	
ELECTRONIC CONTROL	Main	2nd	Main	2nd
Temperature display	•	•	•	•
Heating up indicator	•	•	•	•
Residual heat indicator	•	•	•	•
Temperature proposal	•	•	•	•
SPECIAL FEATURES	Main	2nd	Main	2nd
Door type	Drop Down Door	Drop Down Door	Drop Down Door	Drop Down Door
Home Connect	•	•	•	•
Electronic control	•	•	•	•
Telescopic Rails	1 x Clip Rail		1 x Clip Rail	
Standard Meat Probe	•		•	
FEATURES	Main	2nd	Main	2nd
Control panel lock	•	•	•	•
Full glass inner door	•	•	•	•
Safety switch off	•	•	•	•
Internal lighting	1 x 25W halogen	1 x 25W halogen	1 x 25W halogen	1 x 25W halogen
Number of shelf positions	4	3	4	3
Glazed door (Quadruple/Triple/Double)	Quadruple	Quadruple	Quadruple	Quadruple
COOKING FUNCTIONS	Main	2nd	Main	2nd
Circo Therm®	3D		3D	
Circo Therm® Gentle	•		•	
Top/bottom heat	•	•	•	•
Circo Roasting	•		•	
Full surface grill	•	•	•	•
Centre surface grill	•	•	•	•
Bread baking	•		•	
Bottom heat	•	•	•	•
Pizza Setting / Circo Therm® Intensive	•		•	
Rapid heat	•		•	
OVEN CLEANING	Main	2nd	Main	2nd
Pyrolytic Cleaning	•	•	•	•
Easy Clean®	•		•	
Eco Clean liners (Roof/Back/Sides)				
Base clean				
Cleaning setting	•	•	•	•
STANDARD ACCESSORIES	Main	2nd	Main	2nd
Wire shelves	3		3	
Universal pan	1		1	
ENERGY EFFICIENCY <sup>1</sup>	Main	2nd	Main	2nd
Energy efficiency index	95.3	120.3	95.3	120.3
Energy efficiency class	A	B	A	B
Energy consumption per cycle Circo Therm® (kWh)	0.75		0.75	
Energy consumption per cycle conventional (kWh)	1.00	0.83	1.00	0.83
Oven capacity (L)	71	34	71	34
Time to cook standard load (mins)	44	44	44	44
Largest baking sheet area (cm <sup>2</sup> )	1290		1290	
TECHNICAL INFORMATION				
Total connected load kW	6.3		6.3	

DESIGN	U1ACE5HN0B   N50		U1ACE2HG0B   N50		U1ACE2HN0B   N50		J1ACE2HN0B   N50	
NEFF Design Retractable controls	•	•	•	•	•	•	•	•
Electronic clock / timer	White LCD display		White LCD display		White LCD display		White LCD display	
ELECTRONIC CONTROL	Main	2nd	Main	2nd	Main	2nd	Main	2nd
Temperature display	•	•	•	•	•	•	•	•
Heating up indicator	•	•	•	•	•	•	•	•
Residual heat indicator	•	•	•	•	•	•	•	•
Temperature proposal	•	•	•	•	•	•	•	•
SPECIAL FEATURES	Main	2nd	Main	2nd	Main	2nd	Main	2nd
Door type	Drop Down Door	Drop Down Door	Drop Down Door	Drop Down Door	Drop Down Door	Drop Down Door	Drop Down Door	Drop Down Door
Home Connect	•	•	•	•	•	•	•	•
Electronic control	•	•	•	•	•	•	•	•
Telescopic Rails	1 x Clip Rail		1 x Clip Rail		1 x Clip Rail		1 x Clip Rail	
Standard Meat Probe	•		•		•		•	
FEATURES	Main	2nd	Main	2nd	Main	2nd	Main	2nd
Control panel lock	•	•	•	•	•	•	•	•
Full glass inner door	•	•	•	•	•	•	•	•
Safety switch off	•	•	•	•	•	•	•	•
Internal lighting	1 x 25W halogen	1 x 25W halogen	1 x 25W halogen	1 x 25W halogen	1 x 25W halogen	1 x 25W halogen	1 x 25W halogen	1 x 25W halogen
Number of shelf positions	4	3	4	3	4	3	3	3
Glazed door (Quadruple/Triple/Double)	Double	Triple	Double	Double	Double	Double	Double	Triple
COOKING FUNCTIONS	Main	2nd	Main	2nd	Main	2nd	Main	2nd
Circo Therm®	3D		3D		3D		3D	
Circo Therm® Gentle	•		•		•		•	
Top/bottom heat	•	•	•	•	•	•	•	•
Circo Roasting	•		•		•		•	
Full surface grill	•	•	•	•	•	•	•	•
Centre surface grill	•	•	•	•	•	•	•	•
Bread baking	•		•		•		•	
Bottom heat	•	•	•	•	•	•	•	•
Pizza Setting / Circo Therm® Intensive	•		•		•		•	
Rapid heat	•		•		•		•	
OVEN CLEANING	Main	2nd	Main	2nd	Main	2nd	Main	2nd
Pyrolytic Cleaning	•	•	•	•	•	•	•	•
Easy Clean®	•		•		•		•	
Eco Clean liners (Roof/Back/Sides)	roof/back/sides	roof/back/sides	•		•		•	
Base clean								
Cleaning setting	•	•	•	•	•	•	•	•
STANDARD ACCESSORIES	Main	2nd	Main	2nd	Main	2nd	Main	2nd
Wire shelves	3		3		3		2	
Universal pan	1		1		1		1	
ENERGY EFFICIENCY <sup>1</sup>	Main	2nd	Main	2nd	Main	2nd	Main	2nd
Energy efficiency index	95.3	120.3	95.3	120.3	95.3	120.3	94.7	120.3
Energy efficiency class	A	B	A	B	A	B	A	B
Energy consumption per cycle Circo Therm® (kWh)	0.78	-	0.75		0.75		0.64	
Energy consumption per cycle conventional (kWh)	0.93	0.83	1.00	0.83	1.00	0.83	0.84	0.83
Oven capacity (L)	71	34	71	34	71	34	47	34
Time to cook standard load (mins)	44	44	44	44	44	44	45	45
Largest baking sheet area (cm <sup>2</sup> )	1290		1290		1290		1290	
TECHNICAL INFORMATION								
Total connected load kW	5.9		5.9		5.9		5.3	

<sup>1</sup> Measured according to the EN50304, 65/2014. <sup>2</sup> For further information on inverter technology, please go to [www.neffhome.com/uk](http://www.neffhome.com/uk). <sup>3</sup> For inverter models, the maximum setting offers a time limited boost option for heating liquids. To ensure optimal results and to protect the appliance, the microwave power output is reduced in stages over the first few minutes down to the next power level (600W). After a cooling period, the microwave boost option will be available once more.

# Warming Drawers & Accessory

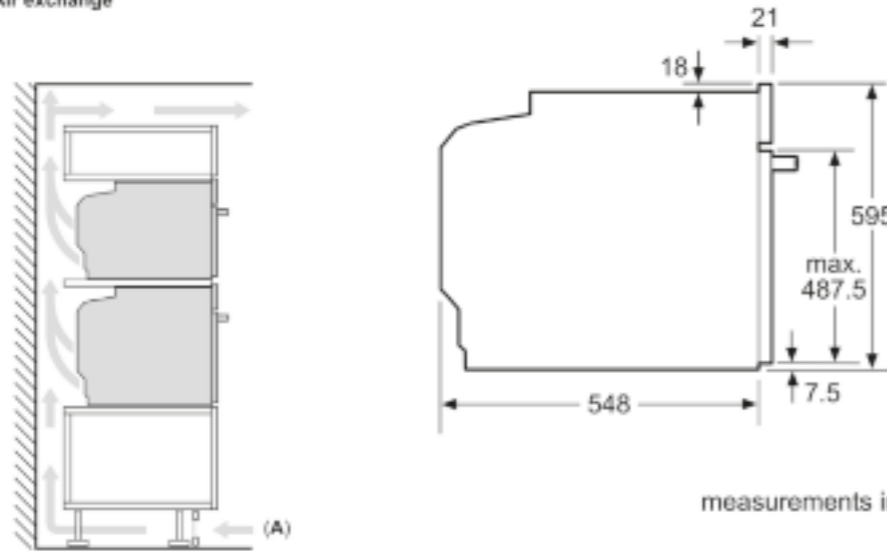
	29CM WARMING DRAWERS		14CM WARMING DRAWERS
	N34HA11G1B N90 / N70	N34HA11N1B N90 / N70	N24HA11G1B N90 / N70
	<ul style="list-style-type: none"> <li>• 29cm high</li> <li>• Electronic touch control warming drawer</li> <li>• 4 settings or 6 selectable temperature settings</li> <li>• Timer</li> <li>• Heated ceramic base</li> <li>• Push/pull opening</li> <li>• Graphite Grey</li> </ul> 	<ul style="list-style-type: none"> <li>• 29cm high</li> <li>• Electronic touch control warming drawer</li> <li>• 4 settings or 6 selectable temperature settings</li> <li>• Timer</li> <li>• Heated ceramic base</li> <li>• Push/pull opening</li> <li>• Graphite Grey</li> </ul> 	<ul style="list-style-type: none"> <li>• 14cm high</li> <li>• Electronic touch control warming drawer</li> <li>• 4 settings or 6 selectable temperature settings</li> <li>• Timer</li> <li>• Heated ceramic base</li> <li>• Push/pull opening</li> <li>• Graphite Grey</li> </ul> 
<b>FUNCTIONS</b>			
Plate warming	•	•	•
Hold Warm	•	•	•
Defrost	•	•	•
Low temperature cooking	•	•	•
Accessory drawer			
<b>FEATURES</b>			
Home Connect	•	•	•
Operating indicator light	•	•	•
Electronic control	•	•	•
Rotary temperature control dial			
Touch control	•	•	•
Number of temperature settings	4	4	4
Maximum temperature	80	80	80
Minimum temperature	30	30	30
Ceramic Glass Base	•	•	•
<b>DESIGN</b>			
Install independently	•	•	•
Install with compact appliance	N70 / N90	N70 / N90	N70 / N90
Install with a single oven	N70 / N90	N70 / N90	N70 / N90
Push-Pull opening mechanism	•	•	•
<b>TECHNICAL INFORMATION</b>			
Drawer interior volume	L 54	54	20
Interior drawer dimensions HxWxD	mm 290x594x518mm	290x594x518mm	140x594x518
Vacuum chamber dimensions HxWxD	mm		
Installation in tall housing or under work surface	•	•	•
Maximum weight capacity	25	25	25
Total connected loading	kW 0.82	0.82	0.82
Minimum fuse rating	10	10	10
Cable length	175	175	170
GB plug	•	•	•
<b>STANDARD ACCESSORIES</b>			
Vacuums platform			
External vacuuming adaptor, hose & plugs			
Sample vacuuming bags			
Antislip mat			

	14CM WARMING DRAWERS	14CM ACCESSORY DRAWERS	29CM WARMING DRAWERS	14CM WARMING DRAWERS	
	N24HA11N1B N90 / N70	N24ZA11G1 N90 / N70	N1AHA02N0B N50	N1AHA01G0B N50	N1AHA01N0B N50
	<ul style="list-style-type: none"> <li>• 14cm high</li> <li>• Electronic touch controlwarming drawer</li> <li>• 4 settings or 6 selectable temperature settings</li> <li>• Timer</li> <li>• Heated ceramic base</li> <li>• Push/pull opening</li> <li>• Graphite Grey</li> </ul> 	<ul style="list-style-type: none"> <li>• 14cm high</li> <li>• Accessory drawer</li> </ul>  <ul style="list-style-type: none"> <li>• Push/pull opening</li> <li>• Graphite Grey</li> </ul>	<ul style="list-style-type: none"> <li>• 29cm high</li> <li>• Warming drawer</li> <li>• 3 settings</li> </ul>  <ul style="list-style-type: none"> <li>• Push-pull opening</li> <li>• Stainless Steel</li> </ul>	<ul style="list-style-type: none"> <li>• 14cm high</li> <li>• Warming drawer</li> <li>• 3 settings</li> </ul>  <ul style="list-style-type: none"> <li>• Push-pull opening</li> <li>• Stainless Steel</li> </ul>	<ul style="list-style-type: none"> <li>• 14cm high</li> <li>• Warming drawer</li> <li>• 3 settings</li> </ul>  <ul style="list-style-type: none"> <li>• Push-pull opening</li> <li>• Stainless Steel</li> </ul>
<b>FUNCTIONS</b>					
Plate warming	•		•	•	•
Hold Warm	•		•	•	•
Defrost	•		•	•	•
Low temperature cooking	•				
Accessory drawer		•			
<b>FEATURES</b>					
Home Connect	•				
Operating indicator light	•		•	•	•
Electronic control	•				
Rotary temperature control dial			•	•	•
Touch control	•				
Number of temperature settings	4		3	3	3
Maximum temperature	80		80	80	80
Minimum temperature	30		40	40	40
Ceramic Glass Base	•				
<b>DESIGN</b>					
Install independently	•	•	•	•	•
Install with compact appliance	N70 / N90	N70 / N90	N50	N50	N50
Install with a single oven	N70 / N90	N70 / N90	N50	N50	N50
Push-Pull opening mechanism	•	•	•	•	•
<b>TECHNICAL INFORMATION</b>					
Drawer interior volume	L 20	21	58	23	23
Interior drawer dimensions HxWxD	mm 140x594x518	140x594x518	250x475x490	100x475x490	100x475x490
Vacuum chamber dimensions HxWxD	mm				
Installation in tall housing or under work surface	•	•	•	•	•
Maximum weight capacity	25	15	15	15	15
Total connected loading	kW 0.82		0.40	0.40	0.40
Minimum fuse rating	10		6	6	6
Cable length	170		150	150	150
GB plug	•		•	•	•
<b>STANDARD ACCESSORIES</b>					
Vacuums platform					
External vacuuming adaptor, hose & plugs					
Sample vacuuming bags					
Antislip mat		•	•	•	•

# N90 60cm Single Ovens with Steam

B64VT73G0B, B64VS71G0B, B64FT53G0B, B64FS31G0B

Installing two appliances on top of each other  
Air exchange

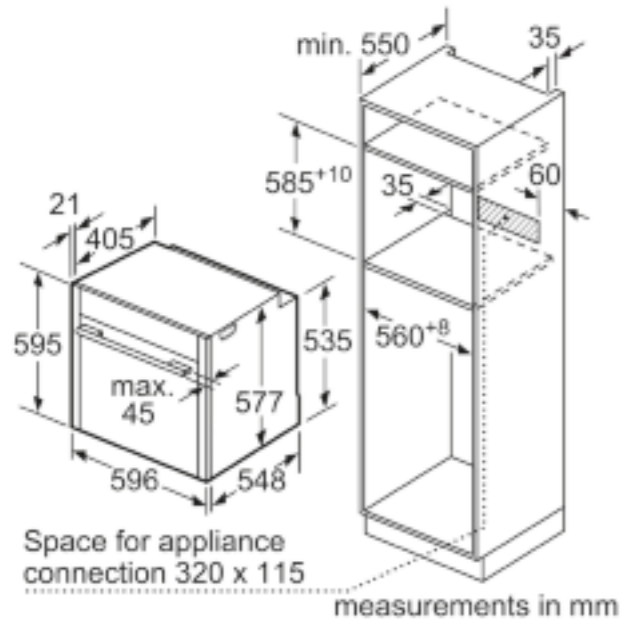


If the appliance will be installed underneath a hob, the following worktop thicknesses (including substructure if necessary) must be taken into account.

Hob type	min. worktop thickness	
	fit	flush
Induction hob	37 mm	38 mm
Full surface Induction hob	47 mm	48 mm
Gas hob	30 mm	38 mm
Electric hob	27 mm	30 mm

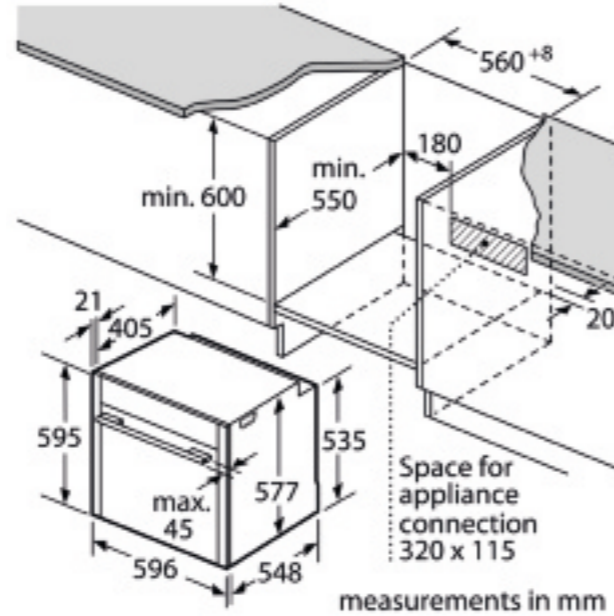
measurements in mm

A: Air inlet ≥ 200 cm<sup>2</sup>



Space for appliance connection 320 x 115

measurements in mm



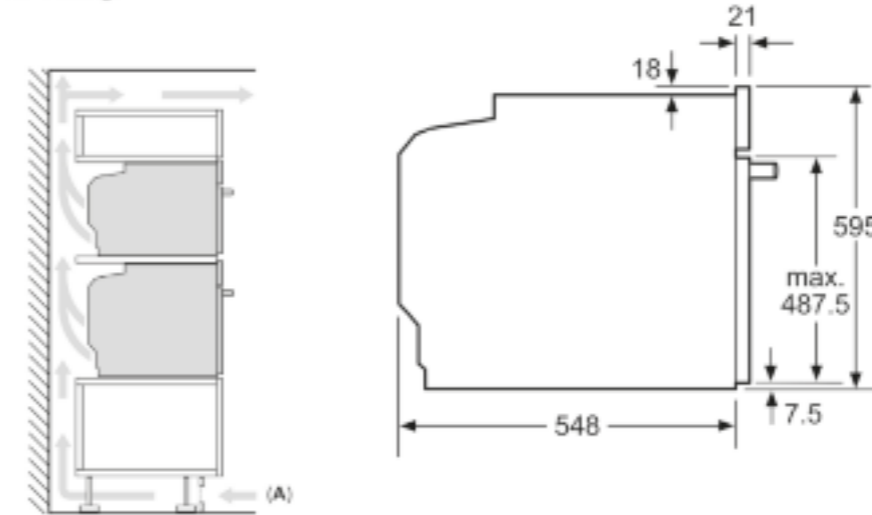
Space for appliance connection 320 x 115

measurements in mm

# N90 / N70 60cm Single Ovens

B64CS71G0B, B64CT73G0B, B54CR71G0B, B54CR71N0B, B64CS51G0B, B54CR31G0B, B54CR31N0B, B24CR31G0B, B24CR71G0B

Installing two appliances on top of each other  
Air exchange

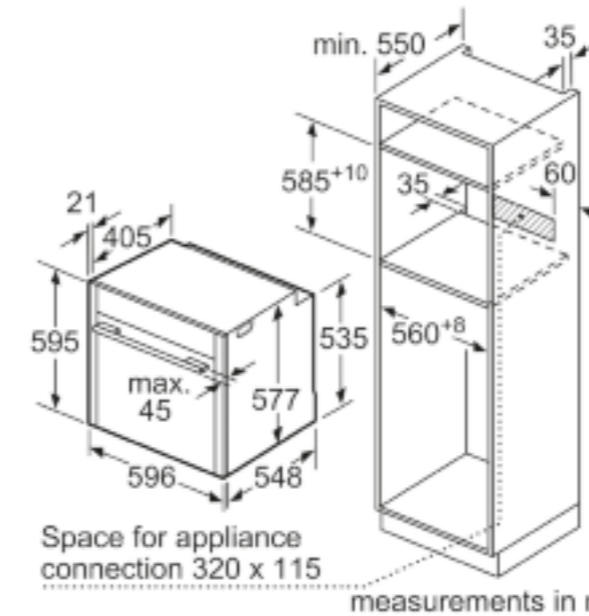


If the appliance will be installed underneath a hob, the following worktop thicknesses (including substructure if necessary) must be taken into account.

Hob type	min. worktop thickness	
	fit	flush
Induction hob	37 mm	38 mm
Full surface Induction hob	47 mm	48 mm
Gas hob	30 mm	38 mm
Electric hob	27 mm	30 mm

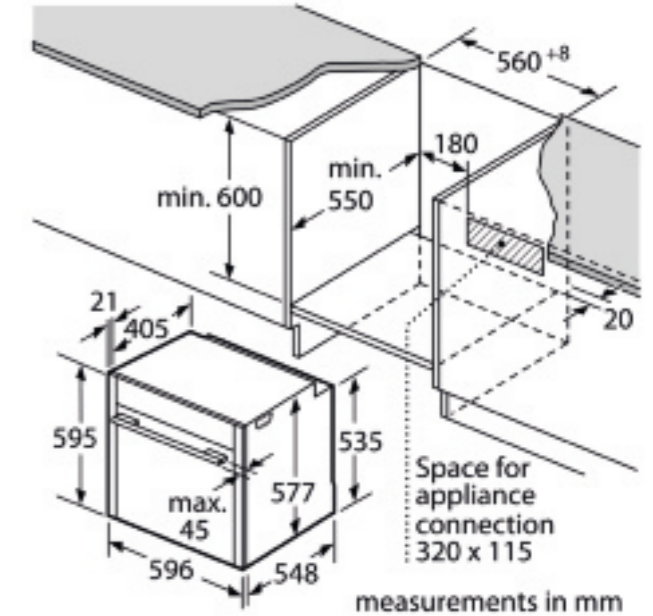
measurements in mm

A: Air inlet ≥ 200 cm<sup>2</sup>



Space for appliance connection 320 x 115

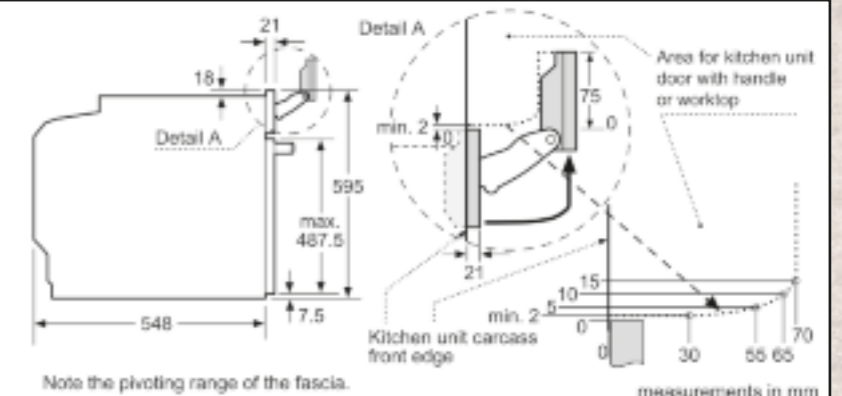
measurements in mm



Space for appliance connection 320 x 115

measurements in mm

B64CS71G0B, B54CR71G0B, B54CR71N0B, B64CS51G0B, B54CR31G0B, B54CR31N0B

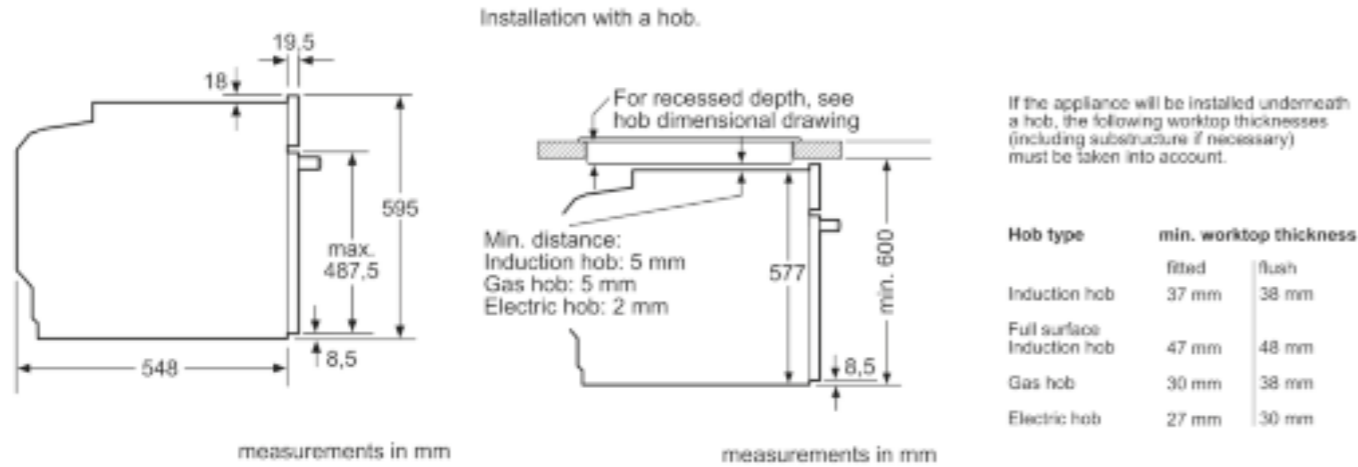


Note the pivoting range of the fascia.

measurements in mm

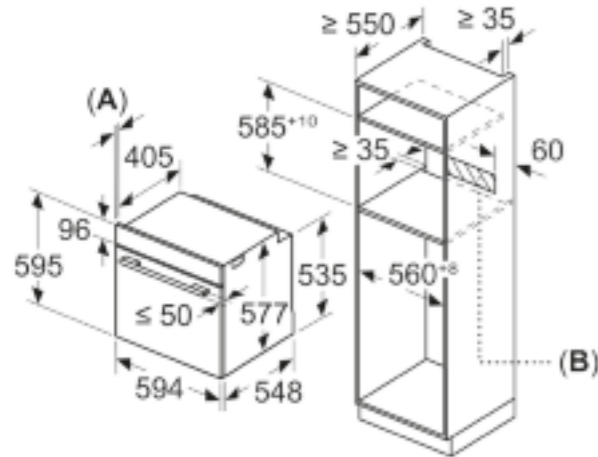
# N50 60cm Single Ovens

B6ACH7HG0B, B6ACH7HH0B, B4ACF1AN0B, B3ACE4HG0B, B3ACE4HN0B, B1ACE4HN0B, B2ACH7HH0B

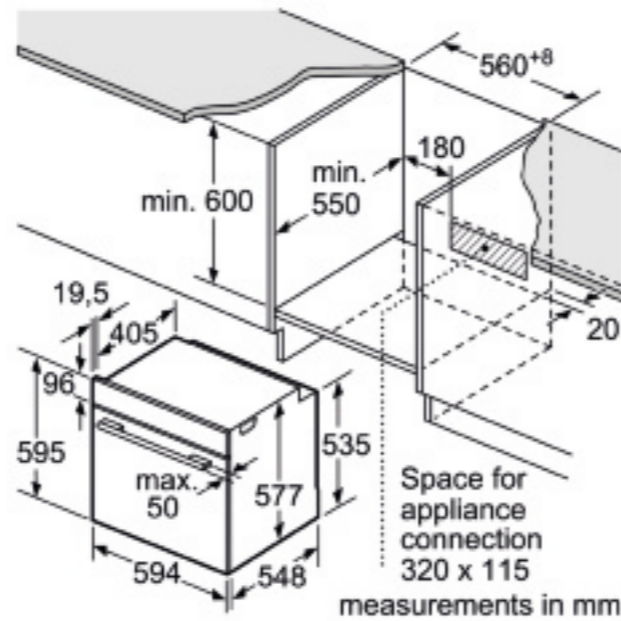


A: Air Inlet  $\geq 200 \text{ cm}^2$

Measurements in mm

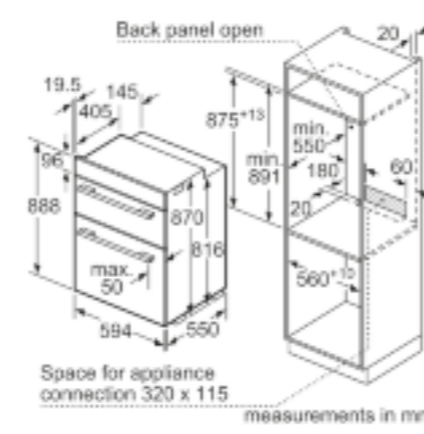


A: 19.5 mm  
B: Space for appliance connection 320 x 115 mm

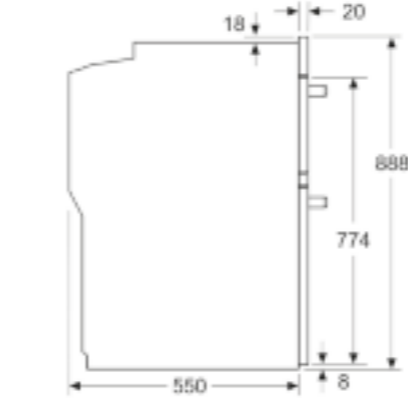


# N50 Double Ovens

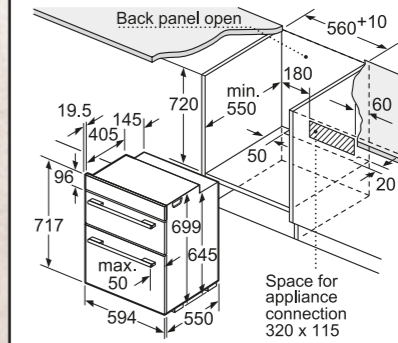
U2ACM7HG0B, U2ACM7HH0B, U1ACE5HN0B, U1ACE2HG0B, U1ACE2HN0B



measurements in mm



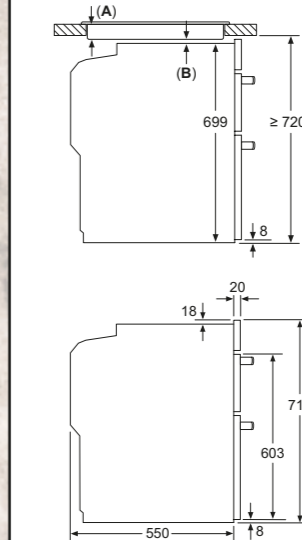
J1ACE2HN0B



If the appliance will be installed underneath a hob, the following worktop thicknesses (including substructure if necessary) must be taken into account.

Hob type	min. worktop thickness	
	fitted	flush
Induction hob	39 mm	40 mm
Full surface induction hob	49 mm	50 mm
Gas hob	29 mm	40 mm
Electric hob	29 mm	32 mm

Measurements in mm  
Installation with a cooktop



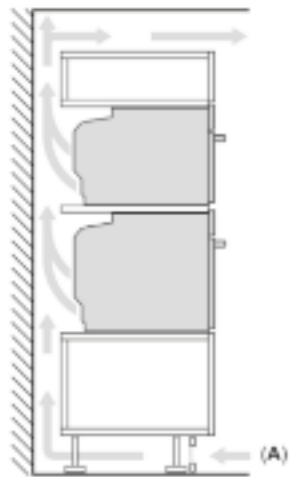
A: Recessed depth 29-50 mm. See cooktop dimensional drawing.  
B: Clearance min.:  
Induction cooktop: 5 mm  
Gas cooktop: 5 mm  
Electric cooktop: 2 mm

# N90 45cm Compact Ovens with Steam

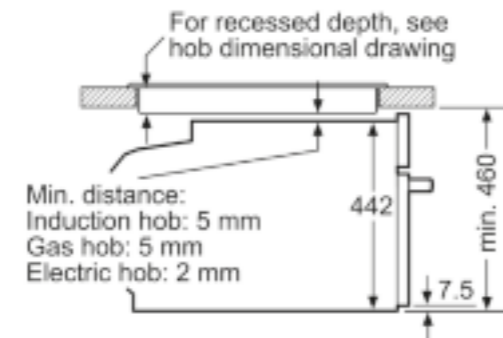
# N90 / N70 45cm Compact Ovens with Microwave Function

C24FT53G0B, C24FS31G0B

Installing two appliances on top of each other  
Air exchange



Installation with a hob.

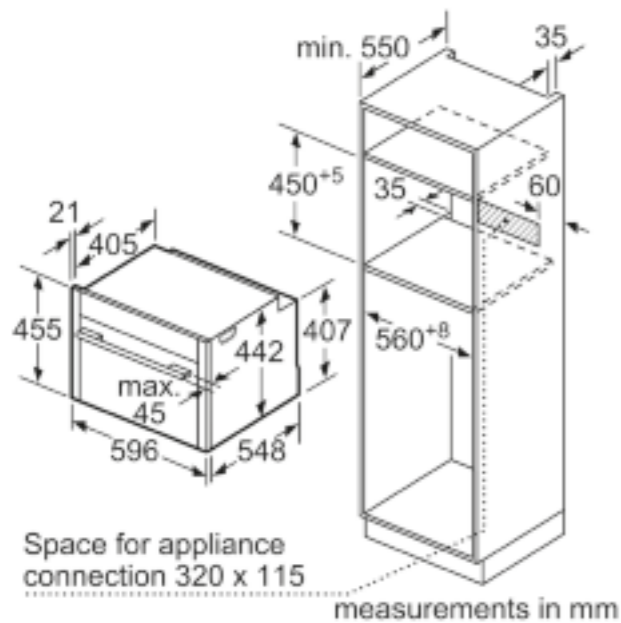


If the compact appliance will be installed underneath a hob, the following worktop thicknesses (including substructure if necessary) must be taken into account.

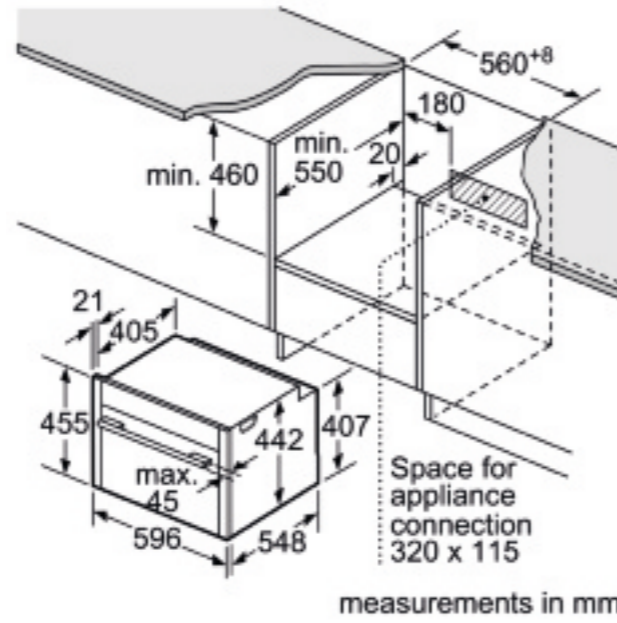
Hob type	min. worktop thickness	
	fit	flush
Induction hob	42 mm	43 mm
Full surface Induction hob	52 mm	53 mm
Gas hob	32 mm	43 mm
Electric hob	32 mm	35 mm

measurements in mm

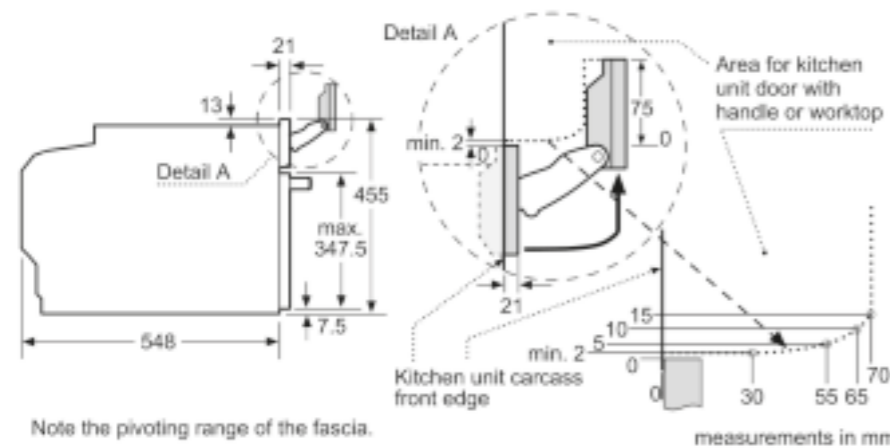
A: Air Inlet  $\geq 200 \text{ cm}^2$



measurements in mm



measurements in mm

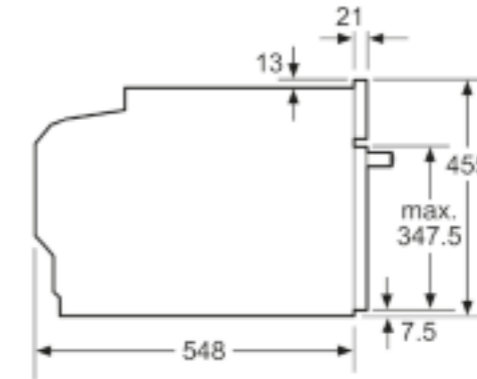
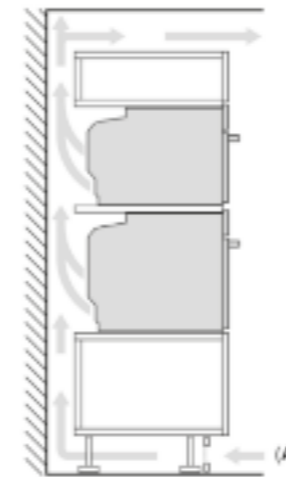


measurements in mm

Measurements in mm. The line drawings featured in this brochure are provided as a guide to general dimensions only and are subject to amendment without prior notice. For full dimensional and installation details please refer to the documentation supplied with the appliance.

C24MT73G0B, C24MS71G0B, C24MS31G0B, C24MR21G0B, C24MR21N0B, C24GR3XG1B

Installing two appliances on top of each other  
Air exchange



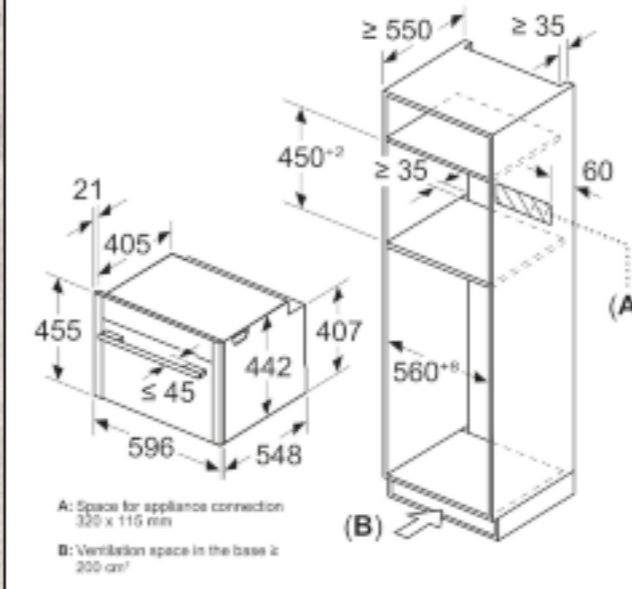
If the compact appliance will be installed underneath a hob, the following worktop thicknesses (including substructure if necessary) must be taken into account.

Hob type	min. worktop thickness	
	fit	flush
Induction hob	42 mm	43 mm
Full surface Induction hob	52 mm	53 mm
Gas hob	32 mm	43 mm
Electric hob	32 mm	35 mm

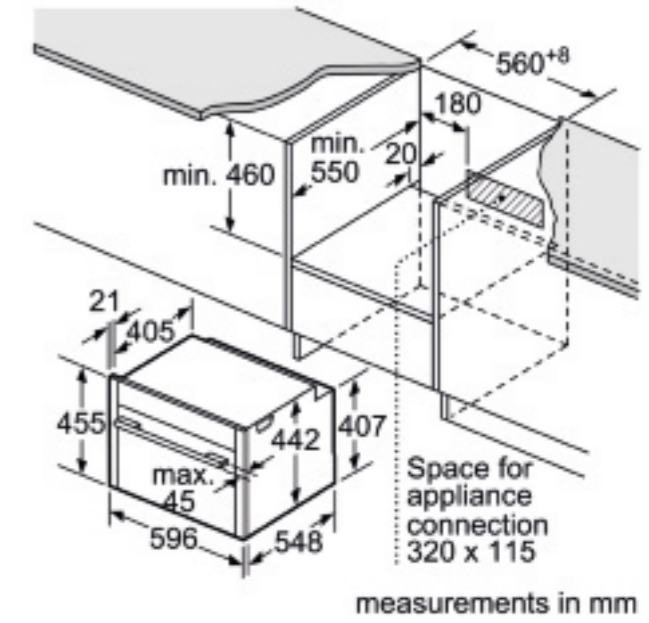
measurements in mm

A: Air Inlet  $\geq 200 \text{ cm}^2$

Measurements in mm

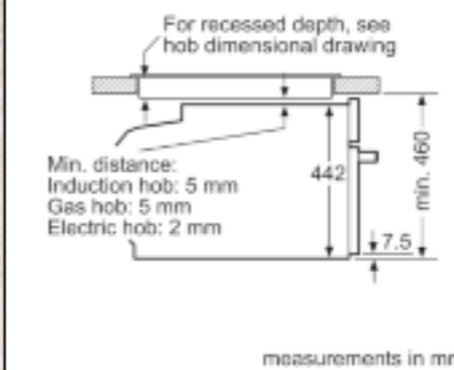


A: Space for appliance connection 320 x 115 min  
B: Ventilation space in the base  $\geq 200 \text{ cm}^2$



measurements in mm

Installation with a hob.



measurements in mm

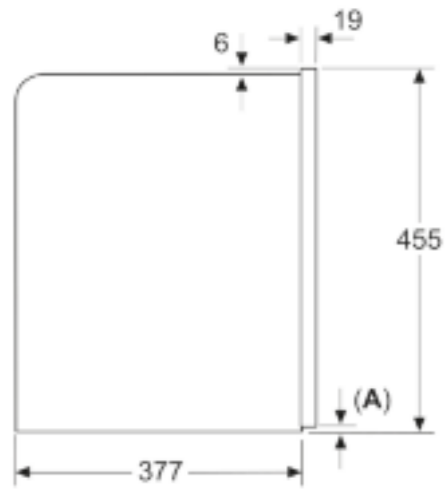
Measurements in mm. The line drawings featured in this brochure are provided as a guide to general dimensions only and are subject to amendment without prior notice. For full dimensional and installation details please refer to the documentation supplied with the appliance.



# N90 45cm Coffee Machine

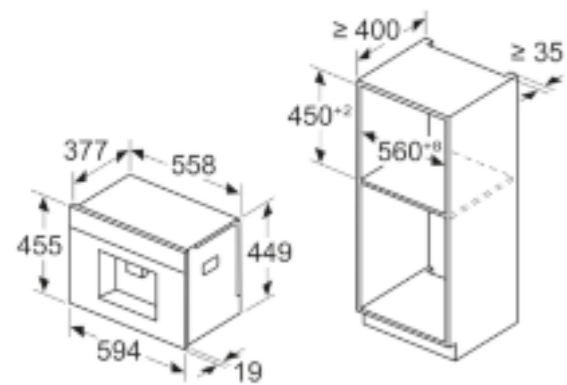
CL4TT11G0

Measurements in mm



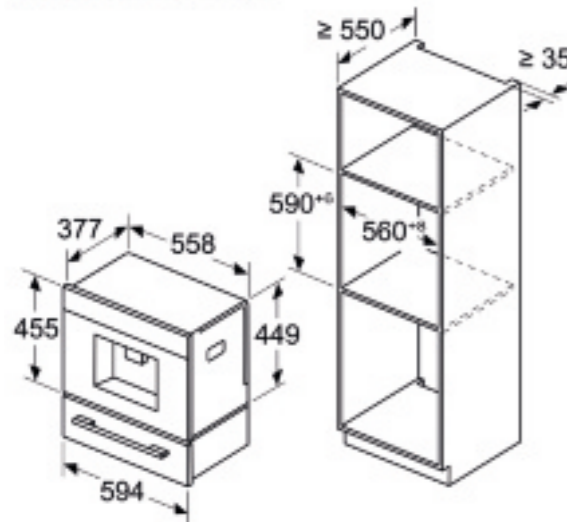
A: 7.5 mm

Measurements in mm

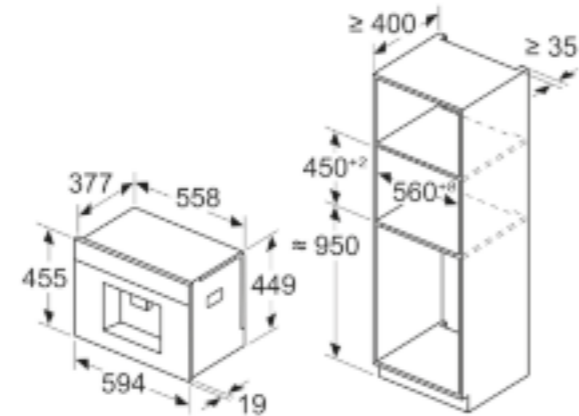


Bean and water containers are removed from the front  
Recommended installation height 950–1450 mm

Measurements in mm

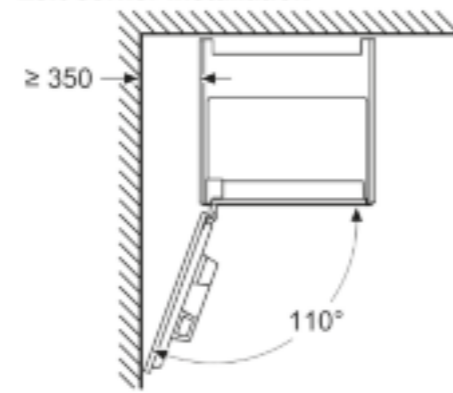


Measurements in mm



Bean and water containers are removed from the front  
Recommended installation height 950–1450 mm

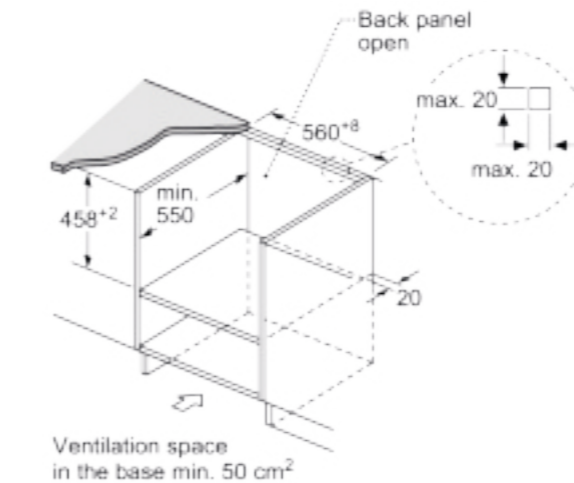
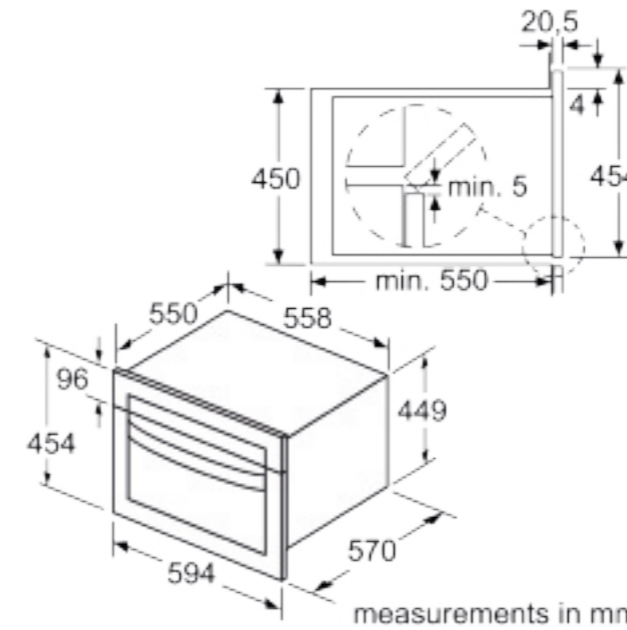
Measurements in mm  
Left corner installation



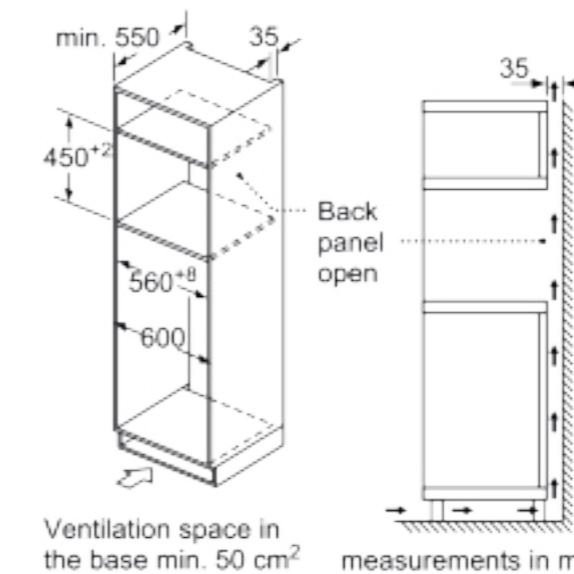
If using the 92° hinge limiter, the min. distance to the wall is only 100 mm

# N50 45cm Microwave Ovens

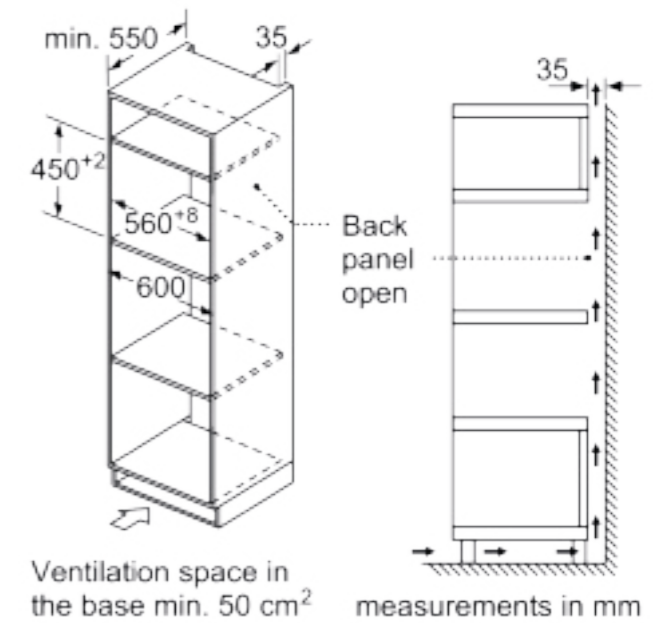
C1AMG84G0B, C1AMG84N0B



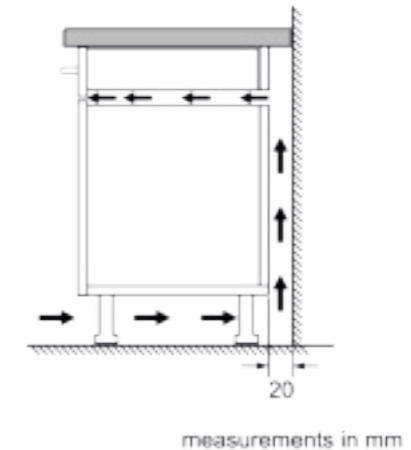
Ventilation space in the base min. 50 cm<sup>2</sup>



Ventilation space in the base min. 50 cm<sup>2</sup>

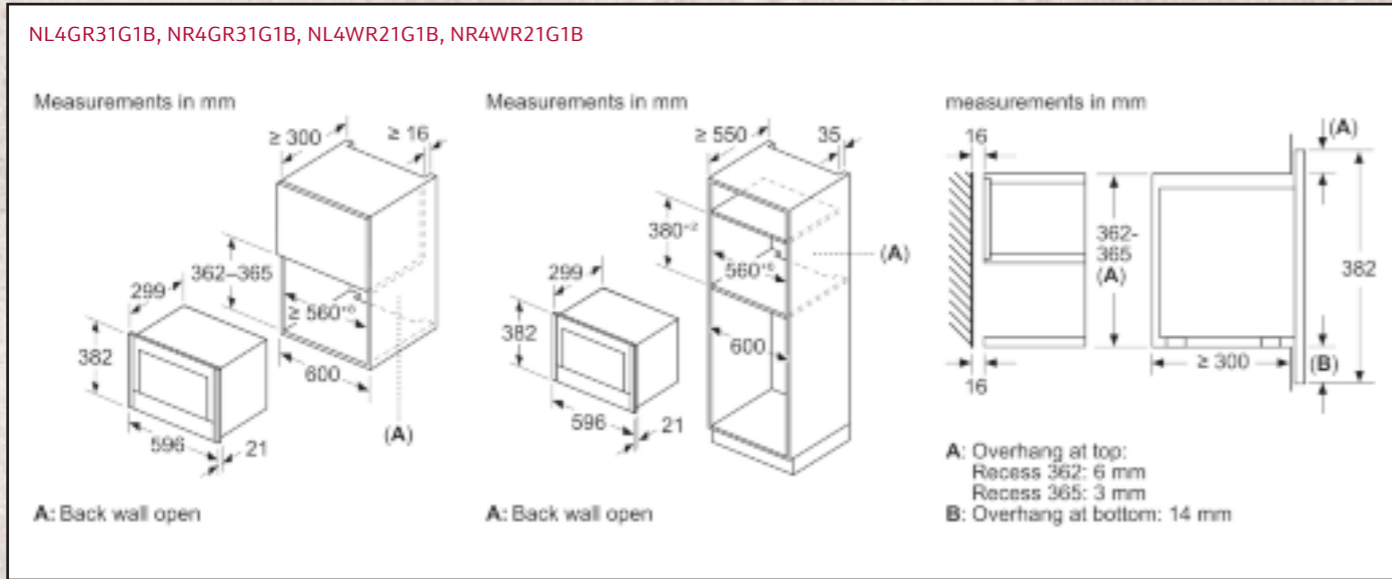


Ventilation space in the base min. 50 cm<sup>2</sup>

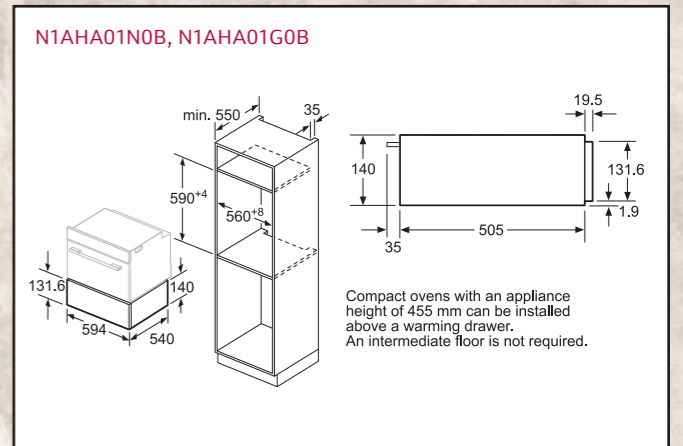
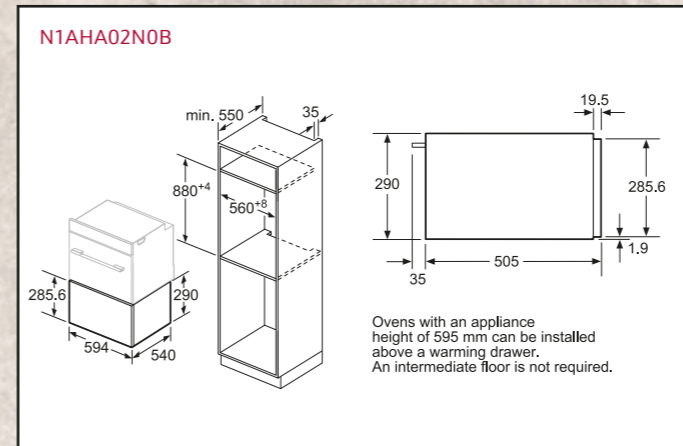
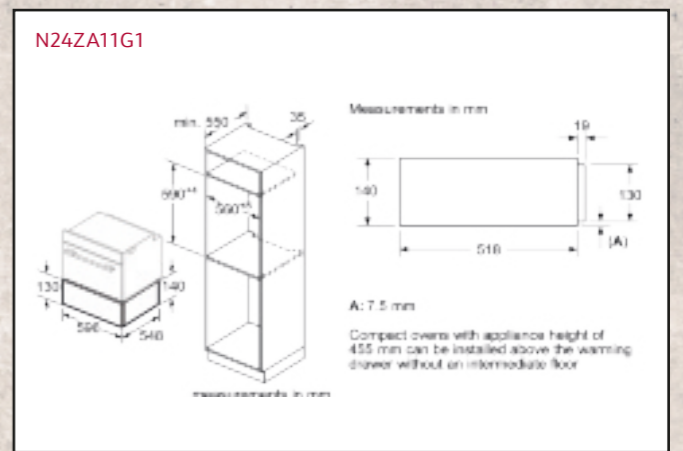
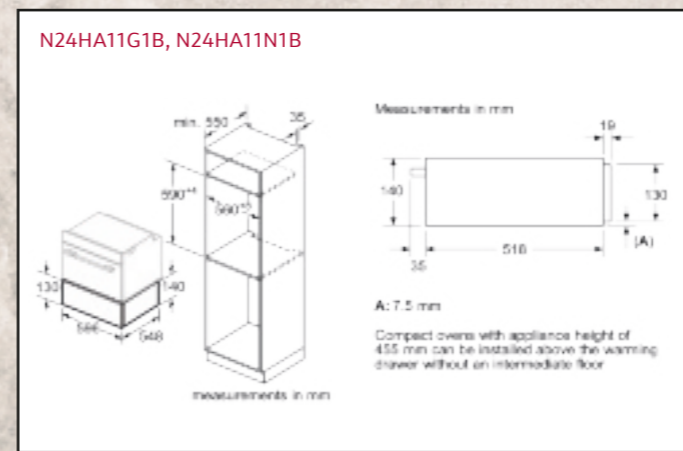
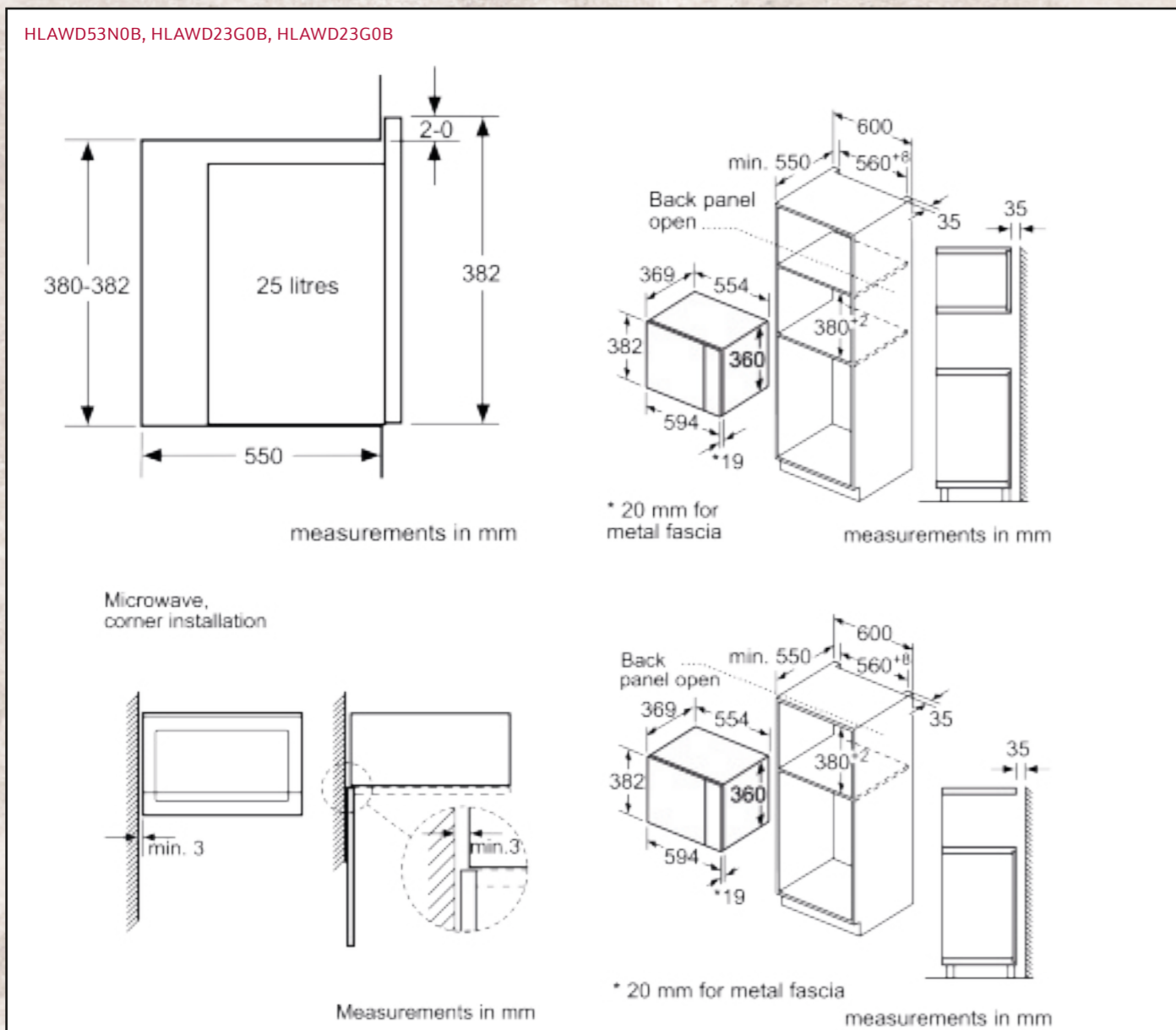
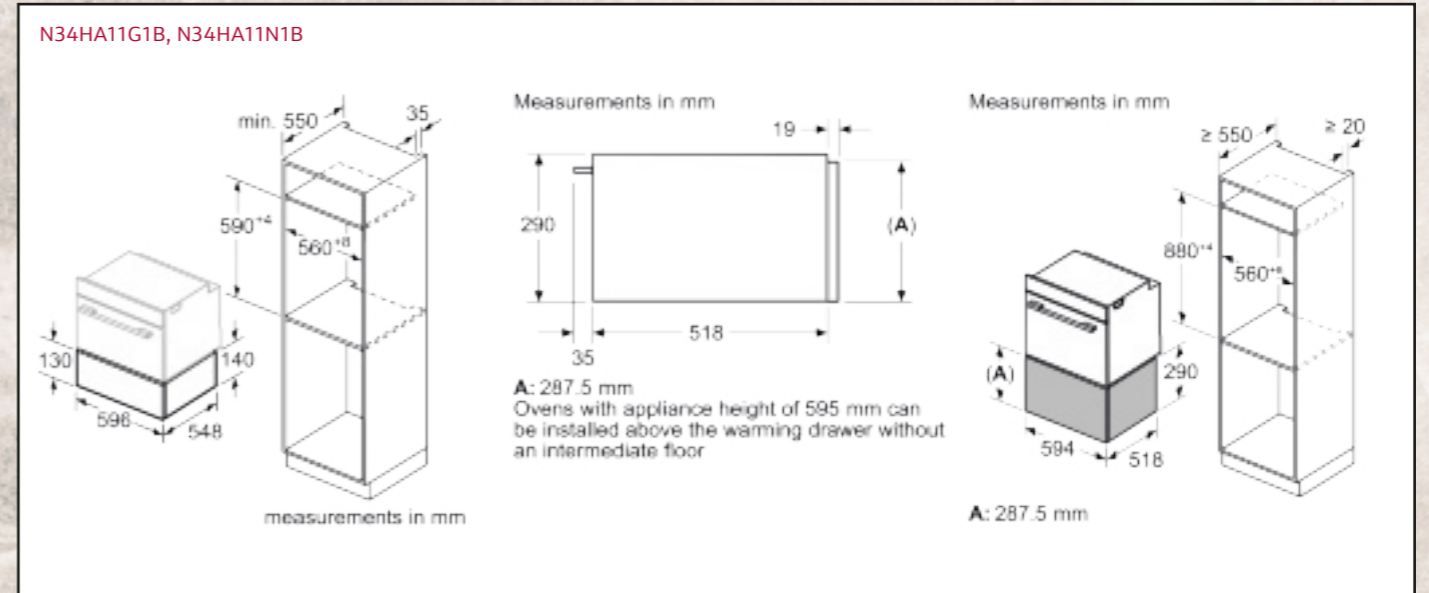


measurements in mm

# N70 / N50 38cm Microwave Ovens



# Warming Drawers





# NEFF HOB *Range*

## The right hob for every cooking style

**Cooking and kitchen design are all about creativity and individual taste and the NEFF range of surface cooking hobs have a broad range of hobs to suit all styles.**

- The range includes electric models, for those that like a seamless glass top, or for those that still love gas cooking, our hobs come in a range of sizes and finishes, with some models featuring a large central wok burner.
- NEFF Electric Hobs
  - Venting Hobs – available in 80cm, 70cm and 60cm sizes.
  - Flex Induction Hobs – available in 90cm, 80cm and 60cm sizes.
  - Induction Hobs – available in 80cm and 60cm sizes, all finished in black glass.
  - Ceramic Hobs – available in 80cm and 60cm sizes.
- NEFF Gas Hobs – available in 90cm, 75cm, 60cm sizes, and a variety of finishes.
- All the NEFF hob range have a variety of installation styles to suit all kitchen designs.
- Venting Hobs can be installed as recirculated or vented out, with a variety of solutions.
- Certain flex induction hobs can be installed with our Glass Draft hood next to one another or seamlessly.
- There are a variety of options when it comes to control panels and how to operate. Adding Home Connect means the hob and an equivalent connected NEFF hood can link together via Hob Hood connection, so when the hob is turned on the hood will start automatically.



# Your Guide To Hobs

## Rethink cooking in NEFF's infinite kitchen

A great meal is all about the ingredients and cooking process. And it's the same when it comes to choosing the right hob. If you want flexibility, an electric Flex Induction hob might be what you're after. Or reclaim your space in the kitchen with our Venting Hob. With integrated ventilation you can install your hob on a kitchen island to create a sociable space when cooking. There's a NEFF hob for everyone to get creative with.



## Venting Hobs

- The 2-in-1 Hob and Hood is here. With freedom from a conventional wall or island hood, our integrated cooktop ventilation allows you to reclaim your space in the kitchen. The NEFF Venting Hob is set to create the stylish and sociable kitchen you've always dreamt of.
- Our Venting Hobs offer maximum flexibility in installation options - Unducted, Partly Ducted, Fully Ducted & Ducted out.



Featured model:  
V58PHQ4C0 N70 80cm Venting Hob with new Twist Touch® Control

## Flex Induction Hobs

- For sociable cooks who often find themselves juggling multiple pans, a Flex Induction hob provides any size pan, anywhere cooking within the zones.
- When the zones are activated, pans will receive instant, even and rapid heat transference wherever they are placed. Our range of Flex Induction hobs are available with a number of controls either with a TFT touch screen or using a NEFF Anthracite Grey Twist Pad®.



Featured model:  
T69FUV4L0 N90 90cm Flex induction hob with new Anthracite Grey Twist Pad®



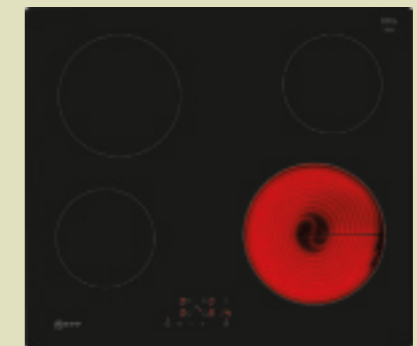
Featured model:  
T56FHS1L0 N70 60cm Induction Hob new Twist Touch® Control

## Induction Hobs

- If sleek, stylish and clean lines are more in keeping with your kitchen design, our Induction hobs provide a minimalistic and premium look whilst providing a quick and responsive cooking surface.
- Cooking with an Induction Hob saves energy and is incredibly safe – there is little residual heat once the saucepan is removed from the hob.

## Ceramic Hobs

- With their frameless design, our Ceramic hobs stand out in any kitchen, and a whole range of options with up to 17 power settings makes preparing the next feast as easy as pie.
- Better still, our enhanced touch control panel provides full flexibility over your cooking.



Featured model:  
T16NBE1L N50 60cm Ceramic Hob



Featured model:  
T27CS59S0 N70 75cm Gas Hob

## Gas Hobs

- For traditionalists who prefer to see exactly how much heat is delivered to their pans, gas cooking provides a robust and reliable way to prepare your favourite dishes.
- You can control your hob by numbers and not by eye with our precise and responsive Flame Select® heat control feature, available across selected gas hobs.

# Guide To Electric Hobs

## Venting Hobs

AVAILABLE IN 80CM, 70CM AND 60CM SIZES.



Featured model:  
V58PHQ4C0 N70 80cm Venting Hob with new Twist Touch® Control

## Flex Induction Hobs

AVAILABLE IN 90CM, 80CM AND 60CM SIZES.



Featured model:  
T69FUV4L0 N90 90cm Flex induction hob with new Anthracite Grey Twist Pad®

## Induction Hobs

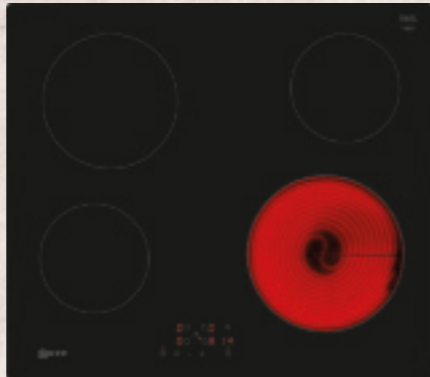
AVAILABLE IN 80CM AND 60CM SIZES.



Featured model:  
T56FHS1L0 N70 60cm Induction Hob new Twist Touch® Control

## Ceramic Hobs

AVAILABLE IN 80CM AND 60CM SIZES.



Featured model:  
T16NBE1L N50 60cm Ceramic Hob

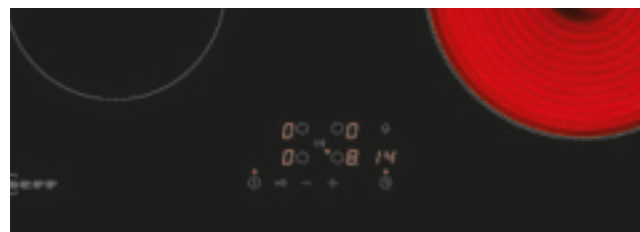
## Ceramic & Induction Hobs Finishes



Frameless with front bevel



Flushline



Frameless

## General Features

### COMBI INDUCTION

2 individual induction cooking zones can be combined to 1 large zone with even heat distribution.

### COMBI ZONE

The Combi Zone allows you to combine two adjacent cooking zones into a single, larger zone. This flexibility enables the use of larger cookware or multiple pots and pans simultaneously, accommodating various cooking needs.

### EXTENDED FRYING SENSOR

The sensor automatically adjusts the heat to the pan to maintain an even temperature. This control allows you to cook all dishes to perfection as it maintains a consistent heat preventing overcooking or burning.

### TOUCH CONTROL

Simply select a zone then swipe your finger across the control panel to select a heat mode.

### POWER BOOST

More heat when you need it. Power Boost is our smart, time-saving cooking hack. Want to boil your pasta water in a flash? Simply activate Power Boost to heat it much faster. Get a flexible boost for your dishes.

### POWER TRANSFER

Move your pots, not your focus. Power Transfer recognizes the heat level and size of your pot, automatically transferring these settings to the new location when you move it. No more pushing and adjusting, a gentle tap is enough to confirm, keeping your focus on the essence of cooking – your intuition.

### TWIST TOUCH®

Direct interaction with a twist of your finger. Twist Touch® control lets you select everything with the tip of your finger. Choose your desired cooking zone or select your preferred power level – cooking the easy way.

### POWER MOVE

With Power Move, you have the flexibility to move pots and pans between two or three heating zones to accommodate various cooking needs.

### ANTHRACITE GREY TWIST PAD®

The Anthracite Grey Twist Pad® allows you to precisely adjust the heating degree of pots, frying pans and grills with just one finger touch. Simply touch the Anthracite Grey Twist Pad® lightly to activate the desired cooking zone, then rotate to select the desired power level. The magnetic Anthracite Grey Twist Pad® is removable and ready to transform your hob into a creative and easy-to-clean hotspot!

### FLEX INDUCTION

Flex Induction allows for flexibility with cooking by having larger cooking zones which automatically detect the size of the pans. This means you can use larger cookware like griddle plates or large casserole dishes with even heat distribution.

## Home Connect Features

### HOME CONNECT

Control your hob directly from a Smart Device App or Voice Command.

### HOB-BASED HOOD CONTROL

Our hob-based Hood Control is a convenient feature that creates real cooking comfort. When you start your hob, your hood will turn on automatically. To do so, simply connect your hob to your registered Home Connect account.

### FAVOURITE BUTTON

Personalise your hob according to your preferences: using Home Connect you can add your favourite functions to your hob and operate them directly via the Favourite Button in the user interface. This allows you to switch the hood lights on or off with ease from your hob or combine different settings to easily cook your everyday dishes at a glance.

## Safety Features

### RESIDUAL HEAT INDICATOR

The moment you turn off your hob, the display offers a clever safety function, indicating which cooking zones are still hot or warm.

### CONTROL PANEL LOCK



Prevents unintended activation of the hob.





### SAFETY TIME SWITCH OFF

For safety reasons, heating stops after a preset time if not used. It is possible to customise this feature.

# Venting Hobs

- Installed with energy efficient brushless motors that offer powerful but quiet performance.
- Can be installed in Recirculation or Ducted Out – 4 Ventilation solutions available.
- A larger Overflow container will hold up to 700ml and is integrated in the base of the appliance so will not impact on storage space below.
- To install in re-circulation mode no further components are required.

		80CM	
		V68AUX4C0   N90	V58PHQ4C0   N70
		<ul style="list-style-type: none"> <li>• Anthracite Grey Twist Pad®</li> <li>• 2 x Flex Zones</li> <li>• Climate Control</li> <li>• Extended Frying Sensor Pro</li> <li>• Anthracite Grey Side Trims</li> </ul> 	<ul style="list-style-type: none"> <li>• Twist Touch® Control</li> <li>• 2 x Combi Zones</li> <li>• Extended Frying Sensor Pro</li> <li>• Flushline Installation</li> </ul> 
<b>KEY FEATURES</b>			
Home Connect		•	•
Integrated extractor		•	•
Automatic extraction		Fully sensor based	Auto-On
Favourite Button		•	•
Extended Frying Sensor		11 settings	11 settings
Power Move / Power Boost / Power Transfer		/ ● / ●	/ ● /
Flex Induction		•	•
Number of Flex Induction zones		2	
Combi Zone Induction			2: Left & Right
<b>HOB FEATURES</b>			
Number of individual zones		4	4
Power Levels		17	17
Digital display / Adaptable Volume		● / ●	● / ●
Count up Timer / Count down timer		/ ●	/ ●
Main on/off switch / Quick Start / Restart Function / Quick Stop		● / ● / ● /	● / ● / ● /
Energy Consumption Display		•	•
Pan Recognition / Pan Boost		• /	• /
Demo Mode		•	•
Dish Categories / Setting Recommendations		Via HC	Via HC
Keep Warm Function		Via HC / Favourite Button	Via HC / Favourite Button
<b>SAFETY FEATURES</b>			
Residual Heat Indicator / Wipe Protection Function		• /	• /
Timer with automatic switch off for each zone		• / ●	• / ●
Control Panel Lock / Safety Time Switch off		• / ●	• / ●
<b>HOOD FEATURES</b>			
Climate Control sensor		•	•
Power levels		17 + 2 Intensive	9 + 2 Intensive
Automatic intensive revert setting		6 minutes	6 minutes
Automatic or manual control / Interval operation		• / ●	• / ●
Automatic after running (extraction/recirculation)		12 / 30 minutes	30 minutes
Dishwasher safe grease filter cassette with spillage collection		Yes - 200ml capacity	Yes - 200ml capacity
Dishwasher safe spillage overflow collector		700ml capacity	700ml capacity
Metal grease filter / Electronic grease filter / cleanAir filter saturation indicators		• / ● / ●	• / ● / ●
<b>PERFORMANCE / TECHNICAL INFORMATION – HOB</b>			
Nominal voltage / Maximum power output	V / W	220-240 / 7,400	
Electrical cable length	cm	110	
Rear left Induction zone	kW/mm	2.20	200x240
Rear right Induction zone	kW/mm	2.20	200x240
Front left Induction zone	kW/mm	2.20	200x240
Front right Induction zone	kW/mm	2.20	200x240
Flex Induction zone left	kW/mm	3.30	400x240
Flex Induction zone right	kW/mm	3.30	400x240
CombiZone left	kW/mm		3.60 380x210
CombiZone right	kW/mm		3.60 380x210
Rear left / right zone – with Power Boost	max. kW	3.70 / 3.70	
Front left / right zone – with Power Boost	max. kW	3.70 / 3.70	
<b>PERFORMANCE / TECHNICAL INFORMATION – EXTRACTOR</b>			
Extractor energy efficiency rating			
<b>Extraction Rate in m³/h¹²</b>			
Ducted / Recirculating power level Minimum		154 / 132	
Ducted / Recirculating power level Maximum		500 / 499	
Ducted / Recirculating power level Intensive		622 / 595	
<b>Noise level (sound power) based on dB(A) re 1 pW³</b>			
Ducted / Recirculating power level Minimum		42 / 41	
Ducted / Recirculating power level Maximum		69 / 68	
Ducted / Recirculating power level Intensive		74 / 72	
Motor power		170	

		80CM		70CM		60CM	
		V58NHQ4L0   N70	V58NBS1L0   N50	V57THQ4L0   N70	V56NBS1L0   N50		
		<ul style="list-style-type: none"> <li>• Twist Touch® Control</li> <li>• 2 x Combi Zones</li> <li>• Extended Frying Sensor Pro</li> </ul> 	<ul style="list-style-type: none"> <li>• Touch Control</li> <li>• 4 Zones / 1 Combi zone</li> </ul> 	<ul style="list-style-type: none"> <li>• Twist Touch® Control</li> <li>• 2 x Combi Zones</li> <li>• Extended Frying Sensor Pro</li> <li>• Stainless Steel Side Trims</li> </ul> 	<ul style="list-style-type: none"> <li>• Touch Control</li> <li>• 4 Zones / 1 Combi zone</li> </ul> 		
		•	•	•	•		
		•	•	•	•		
		Auto-On	Auto-On	Auto-On	Auto-On		
		•	•	•	•		
		11 settings		11 settings			
		/ ● /	/ ● /	/ ● /	/ ● /		
		2: Left & Right		2: Left & Right			
		4	4	4	4		
		17	17	17	17		
		● / ●	● /	● / ●	● /		
		/ ●	/ ●	/ ●	/ ●		
		● / ● / ● /	● / ● / ● /	● / ● / ● /	● / ● / ● /		
		•	•	•	•		
		• /	• /	• / ●	• /		
		Via HC	Via HC	Via HC	Via HC		
		Via HC / Favourite Button	Via HC / Favourite Button	Via HC / Favourite Button	Via HC / Favourite Button		
		• /	• / ●	• /	• / ●		
		• / ●	• / ●	• / ●	• / ●		
		9 + 2 Intensive	3 + 1 Intensive	9 + 2 Intensive	3 + 1 Intensive		
		6 minutes	6 minutes	6 minutes	6 minutes		
		• / ●	• / ●	• / ●	• / ●		
		30 minutes	12 / 30 minutes	30 minutes	12 / 30 minutes		
		Yes - 200ml capacity	Yes - 200ml capacity	Yes - 200ml capacity	Yes - 200ml capacity		
		700ml capacity	700ml capacity	700ml capacity	700ml capacity		
		• / ● / ●	• / ● / ●	• / ● / ●	• / ● / ●		
		220-240 / 7,400	220-240 / 7,400	220-240 / 7,400	220-240 / 7,400		
		110	110	110	110		
		2.50	190x210	2.50	190x210	2.20	190x210
		2.50	190x210	1.80	180	1.40	145
		2.50	190x210	2.20	190x210	2.20	190x210
		2.50	190x210	2.20	210	2.20	210
		3.60	380x210	3.60	380x210	3.60	380x210
		3.60	380x210	3.60	380x210	3.60	380x210
		3.70 / 3.70	3.70 / 3.10	3.70 / 3.70	3.70 / 2.20		
		3.70 / 3.70	3.70 / 3.70	3.70 / 3.70	3.70 / 3.70		
		154 / 117		330 / 252		330 / 252	
		500 / 487		500 / 441		500 / 441	
		622 / 595		622 / 595		622 / 595	
		42 / 41		61 / 55		61 / 55	
		69 / 68		69 / 66		69 / 66	
		74 / 72		74 / 72		74 / 72	
		170		170		170	

¹ Air flow and noise declarations made in line with CECEC Code Of Conduct. ² Measured according to EN61591 on largest pipe diameter. ³ Sound power measured according to EN60704-3 on largest pipe diameter.

THE NEFF OVEN COLLECTIONS  
HOBS  
VENTILATION  
REFRIGERATION  
DISHWASHING  
LAUNDRY

# Venting Hob Installation Options

For the full range of installation accessories see page 64 of the Appliance Line Drawings.

## UNDUCTED RECIRCULATION

### Why use Unducted Recirculation

- Easy and quick to fit
- Less parts
- Cost effective

Requires no reduction in depth to the bottom two drawers and allows for more design flexibility, for example, floating islands.

Automatic run on of the extractor fan at min power level dries the filters and continues air flow through the service void, removing any potential moisture for extra safety.



Full Depth Drawers Possible



### Installation considerations

#### What do I need?

- 4 x cleanAir filters and telescopic slider.
- These are supplied as standard with all inductionAir Plus appliances.

#### Good to know

- Telescopic slider ventilates air from the appliance into the service void. Max expansion of slider 80mm.
- Min requirement of service void 25mm, recommended 50mm min.

#### Important to note

- This option is NOT suitable for installations with non insulated walls.
- This is the ONLY installation type that uses the telescopic slider.

## PARTLY DUCTED RECIRCULATION

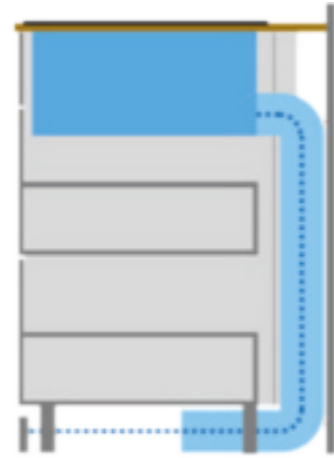
### Why use Partly Ducted Recirculation

Required when the distance from the back of the appliance to back of the base unit void is greater than 80mm.

Suitable for installations with non insulated walls or where damp has been an issue.



Maximum drawer depth 513mm with 70+cm worktop



### Installation considerations

#### What do I need?

- 4 x cleanAir re-circulating filters. Supplied with appliance.
- Starter Kit 1 **Z861KR0** or 2 **Z861KR1** depending on the work surface depth.

#### Good to know

- Partly Ducted Recirculation takes the air down into the plinth and ventilates in through the plinth cavity.
- This requires greater depth work surface or reduced depth drawers.
- The 94mm ducting height cannot be changed to a slimmer version (reduces effectiveness) using an adaptor, as the 94mm space is still needed for the 90 degree turn from the horizontal to the vertical.

#### Important to note

- Starter Kits 1 and 2 provide all the required ducting and connectors for this mode of installation.
- The appliance may be fitted with another manufacturers ducting that has a rounded radius (please check compatibility before purchase). You will still need to purchase a **(Z821PD1)** diffuser.

## FULLY DUCTED RECIRCULATION

### Why use Fully Ducted Recirculation

Required when the distance from the back of the appliance to back of the base unit void is greater than 80mm.

Gives total peace of mind for non insulated walls or where damp has been an issue.



Maximum Drawer Depth 513mm with 70+cm worktop



### Installation considerations

#### What do I need?

- 4 x cleanAir re-circulating filters. Supplied with appliance.
- Starter Kit 1 **Z861KR0** or 2 **Z861KR1** depending on the work surface depth
- To fully duct to the plinth an additional straight channel and a connector are required. A 500mm ducting section should be sufficient in most cases depending on worktop depth.

#### Good to know

- Full Recirculation kit takes air down through the plinth and out into the room via a plinth vent.
- This requires greater depth or reduced depth drawers.
- The 94mm ducting height cannot be changed to a slimmer version (reduces effectiveness) using an adaptor, as the 94mm space is still needed for the 90 degree turn from the horizontal to the vertical.

#### Important to note

- The appliance maybe fitted with another manufacturers ducting that has a rounded radius (please check compatibility before purchase). You will still need to purchase a **(Z821PD1)** diffuser.

## DUCTED OUT EXTRACTION

### Why use Ducted Out

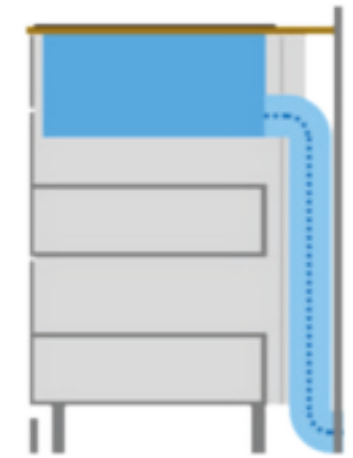
Allows the removal of heat and moisture created by cooking, as well as grease and odour.

An improvement of extraction rate over recirculation modes\* 615m<sup>3</sup>/h recirculation 622m<sup>3</sup>/h ducted out

\*As per test parameters for the energy label declaration.



Maximum Drawer Depth 513mm with 70+ worktop



### Installation considerations

#### What do I need?

- Starter Kit 3 **Z861KE1** (Includes 4 acoustic filters, radius bend, connector and 50cm straight channel).
- To complete your installation we can provide additional ducting lengths, connectors and adaptors.

#### Good to know

- It is also possible to use a fully ducted system, out of the kitchen.
- The acoustic filter kit is still required and is accessed the same way as the recirculation options.
- The Venting hob has been tested with a ducting run of 8 metres with 3 x 90 degree turns and maintaining efficient performance.
- We don't currently offer an external grid to go on the outside wall – this needs to be sourced independently.

#### Important to note

- The appliance maybe fitted with another manufacturers ducting that has a rounded radius (please check compatibility before purchase) You will still need to purchase **(Z811DU0)** x4 acoustic filters.

# Venting Hobs

### 80CM V68AUX4C0

**measurements in mm**

**measurements in mm**

**Front view**

- (A) Minimum distance from the hob cut-out to the wall
- (B) Recessing depth
- (C) The worktop into which the hob is installed must withstand loads of approx. 60kg; suitable substructures must be used if required.
- (D) Cut-out in back panel required for pipework. Exact size and position can be taken from specific drawing.

**measurements in mm**

**Front view - unit cut-out for unducted recirculation**

**measurements in mm**

**Front view**

- (A) Minimum distance from the hob cut-out to the wall
- (B) Recessing depth
- (C) The worktop into which the hob is installed must withstand loads of approx. 60kg; suitable substructures must be used if required.
- (D) Cut-out in back panel required for pipework. Exact size and position can be taken from specific drawing.

**measurements in mm**

**Front view**

- (A) Minimum distance from the hob cut-out to the wall
- (B) Recessing depth
- (C) The worktop into which the hob is installed must withstand loads of approx. 60kg; suitable substructures must be used if required.
- (D) Cut-out in back panel required for pipework. Exact size and position can be taken from specific drawing.

**measurements in mm**

**Side view**

**A: Adapter round-flat**

When installing directly against outer walls that are not insulated ( $\mu \geq 0.5 \text{ W/m}^2 \cdot \text{C}$ ), we recommend using partially or fully ducted recirculation configurations.

### 60CM V56NBS1L0

**measurements in mm**

**measurements in mm**

**Front view**

- (A) Minimum distance from the hob cut-out to the wall
- (B) Recessing depth
- (C) The worktop into which the hob is installed must withstand loads of approx. 60kg; suitable substructures must be used if required.
- (D) Cut-out in back panel required for pipework. Exact size and position can be taken from specific drawing.

**measurements in mm**

**Front view - unit cut-out for unducted recirculation**

**measurements in mm**

**Front view**

- (A) Minimum distance from the hob cut-out to the wall
- (B) Recessing depth
- (C) The worktop into which the hob is installed must withstand loads of approx. 60kg; suitable substructures must be used if required.
- (D) Cut-out in back panel required for pipework. Exact size and position can be taken from specific drawing.

**measurements in mm**

**Side view**

**A: Adapter round-flat**

When installing directly against outer walls that are not insulated ( $\mu \geq 0.5 \text{ W/m}^2 \cdot \text{C}$ ), we recommend using partially or fully ducted recirculation configurations.

### 80CM V58PHQ4C0, V58NHQ4L0, V58NBS1L0

**measurements in mm**

**measurements in mm**

**Front view**

- (A) Minimum distance from the hob cut-out to the wall
- (B) Recessing depth
- (C) The worktop into which the hob is installed must withstand loads of approx. 60kg; suitable substructures must be used if required.
- (D) Cut-out in back panel required for pipework. Exact size and position can be taken from specific drawing.

**measurements in mm**

**Front view**

- (A) Minimum distance from the hob cut-out to the wall
- (B) Recessing depth
- (C) The worktop into which the hob is installed must withstand loads of approx. 60kg; suitable substructures must be used if required.
- (D) Cut-out in back panel required for pipework. Exact size and position can be taken from specific drawing.

**measurements in mm**

**Side view**

**A: Adapter round-flat**

When installing directly against outer walls that are not insulated ( $\mu \geq 0.5 \text{ W/m}^2 \cdot \text{C}$ ), we recommend using partially or fully ducted recirculation configurations.

### 70CM V57THQ4L0

**measurements in mm**

**measurements in mm**

**Front view**

- (A) Minimum distance from the hob cut-out to the wall
- (B) Recessing depth
- (C) The worktop into which the hob is installed must withstand loads of approx. 60kg; suitable substructures must be used if required.
- (D) Cut-out in back panel required for pipework. Exact size and position can be taken from specific drawing.

**measurements in mm**

**Front view**

- (A) Minimum distance from the hob cut-out to the wall
- (B) Recessing depth
- (C) The worktop into which the hob is installed must withstand loads of approx. 60kg; suitable substructures must be used if required.
- (D) Cut-out in back panel required for pipework. Exact size and position can be taken from specific drawing.

**measurements in mm**

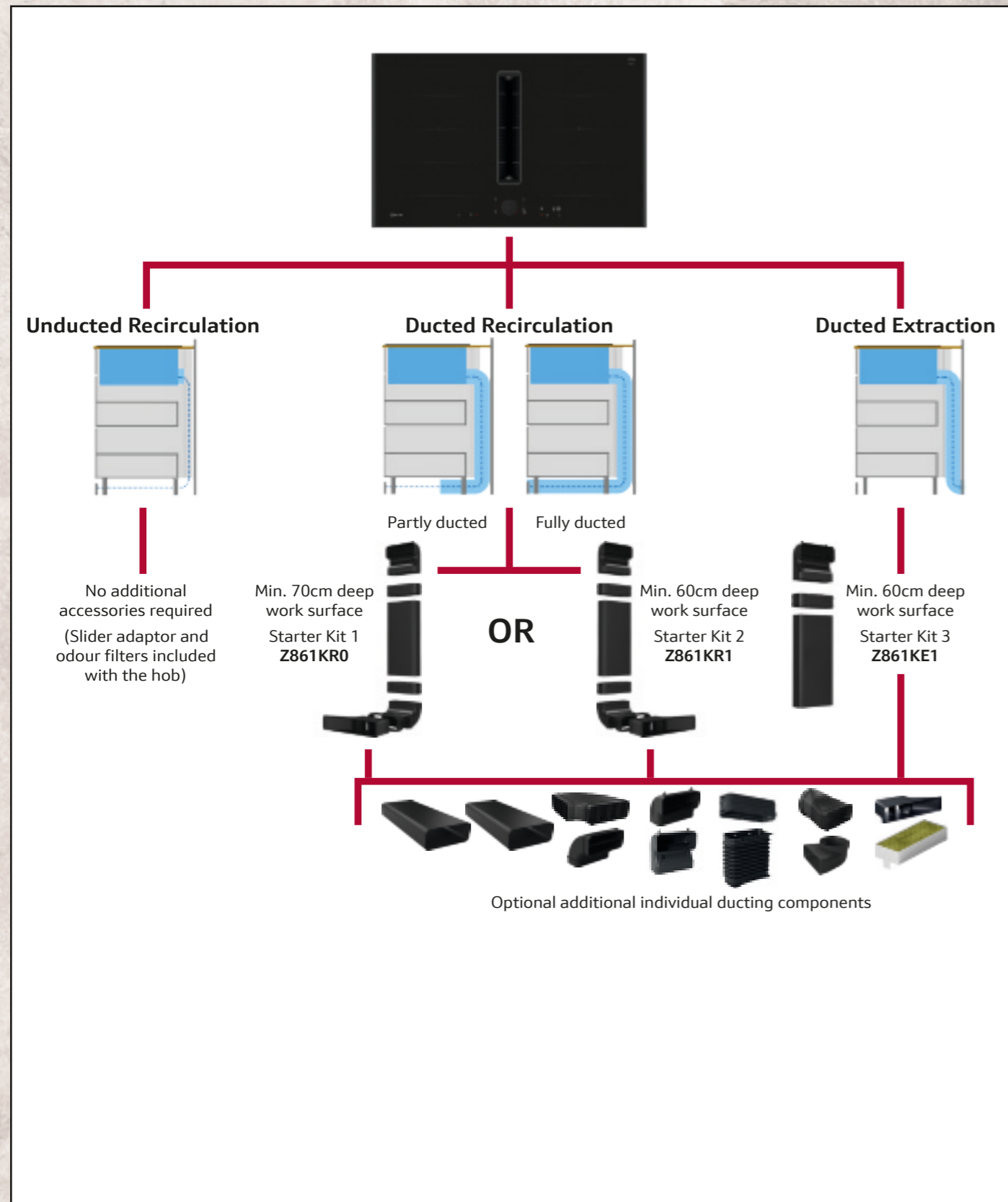
**Side view**

**A: Adapter round-flat**

When installing directly against outer walls that are not insulated ( $\mu \geq 0.5 \text{ W/m}^2 \cdot \text{C}$ ), we recommend using partially or fully ducted recirculation configurations.



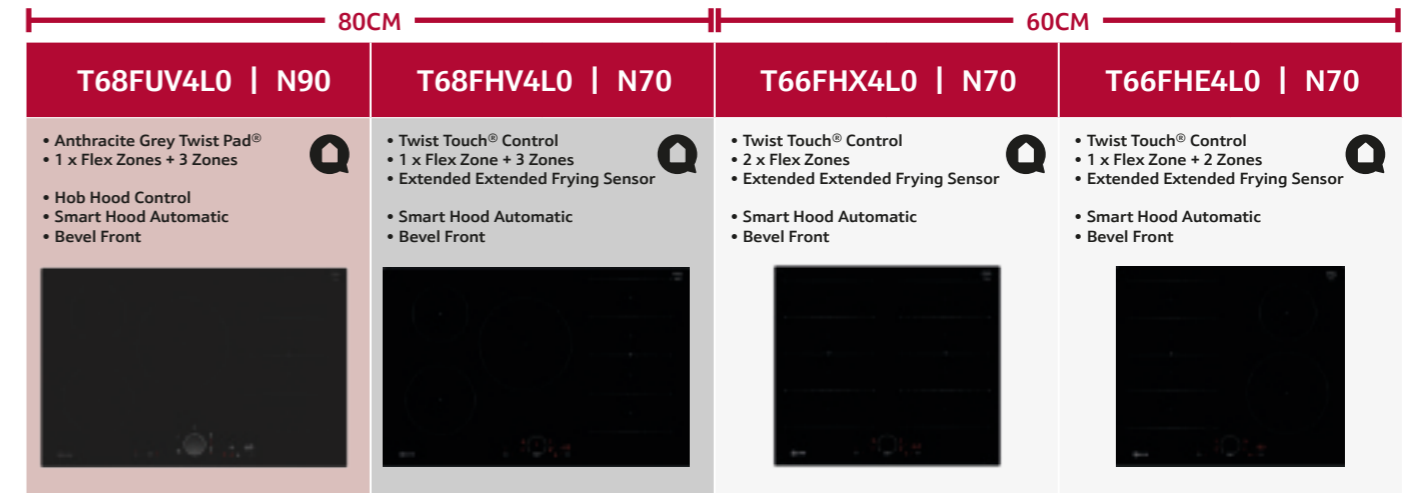
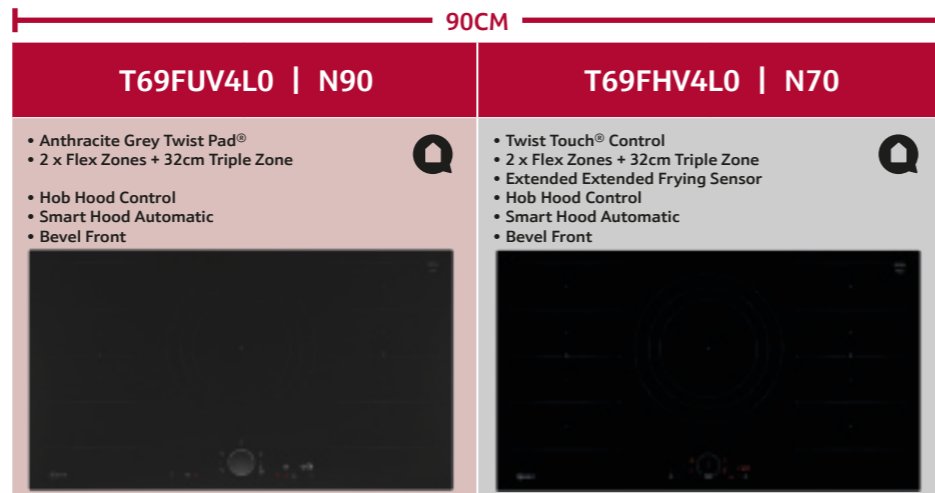
## Venting Hobs Installation Options and Accessories



## Venting Hobs Ducting Components

DESCRIPTION	CODE	MEASUREMENTS (mm)	COMPONENT
Flat channel ducting component, straight length, 100cm long Ducting component outlet size: 222mm x 89mm	Z861SM2		
Flat channel ducting component, straight length, 50cm long Ducting component outlet size: 222mm x 89mm	Z861SM1		
Flat channel 90° horizontal bend Ducting component outlet size: 222mm x 89mm	Z861SB1		
Flat channel 90° vertical bend (large Radius), suitable for 70cm worktop depths Ducting component outlet size: 222mm x 89mm	Z861SB2		
Flat channel 90° vertical bend (medium Radius), suitable for 65cm worktop depths Ducting component outlet size: 222mm x 89mm	Z861SB3		
Flat channel 90° vertical bend (short Radius), suitable for 60cm worktop depths Ducting component outlet size: 222mm x 89mm	Z861SB4		
Connection piece for use between ducting components and bends Ducting component size: 223mm x 90mm	Z861SS1		
Flexible Connection piece for use between ducting components and bends Ducting component size: 223mm x 90mm	Z861SS2		
Straight Adaptor / Converter flat to round (Ø 150mm) Ducting component outlet size: 222mm x 89mm	Z861S10		
90° Adaptor / Converter flat to round (Ø 150mm) Ducting component outlet size: 222 mm x 89mm	Z861S11		
Diffusor for ducted recirculation - outlet size: 222mm x 89mm	Z821PD1		
1 x set of CleanAir recirculation filters, Z811DU0 1 X set of Acoustic filters	Z821VR1		

# Flex Induction Hobs





KEY FEATURES		T69FUV4LO   N90	T69FHV4LO   N70
Home Connect		•	•
Hob-Hood Control		•	•
5" Full Touch colour display with Dish Categories		Via HC	Via HC
Favourite Button		•	•
Smart Hood Automatic		•	•
Extended Frying Sensor		11 settings	11 settings
Power Move / Power Boost / Power Transfer		/ ● / ●	/ ● / ●
Pan Boost			
Number of Flex Induction zones		2	2
Extended Flex Induction Zone			
Number of Combi Induction zones			
FEATURES			
Number of individual zones		5	5
Power levels		17	17
Digital display / Adaptable Volume		Red / White Display / ●	● / ●
Count up Timer			
QuickStart		•	•
Restart Function		•	•
Energy Consumption Display		•	•
Main on/off switch		•	•
Quick-Off Function / Pause Function		/ ●	/ ●
Pan Recognition		•	•
Demo Mode		•	•
Keep Warm Function		Via HC / Favourite Button	Via HC / Favourite Button
SAFETY FEATURES			
Residual Heat Indicator		•	•
Timer with automatic switch off for each zone		•	•
Control Panel Lock		•	•
Safety Time Switch off		•	•
Wipe Protection Function			
PERFORMANCE / TECHNICAL INFORMATION			
Nominal voltage	V	220-240	220-240
Maximum power output	W	11,100	11,100
Electrical cable length	cm	110	110
Plug&Play with GB plug			
Rear left Flex Induction zone - power	kW/mm	2.20	2.20
Rear left zone power	kW/mm	200x230	200x230
Rear right Flex Induction zone - power	kW/mm	2.20	2.20
Rear right zone power	kW/mm	200x230	200x230
Rear Centre zone power	kW/ mm	2.20, 2.60, 3.30	2.20, 2.60, 3.30
Front Centre zone power	kW/ mm	210, 260, 320	210, 260, 320
Front left Flex Induction zone - power	kW/mm	2.20	2.20
Front left zone power	kW/ mm	200x230	200x230
Front right Flex Induction zone - power	kW/mm	2.20	2.20
Front right zone power	kW/ mm	200x230	200x230
Flex Induction Zone left power	kW/mm	3.30	3.30
Flex Induction Zone right power	kW/mm	400x230	400x230
Extended Flex Induction rear left - power	kW/mm		
Extended Flex Induction rear right - power	kW/mm		
Combi Zone left power	kW/mm		
Combi Zone right power	kW/mm		
Rear left zone with Power Boost (max. kW)		3.70	3.70
Rear right zone with Power Boost (max. kW)		3.70	3.70
Rear Centre zone with Power Boost (max. kW)		3.70	3.70
Front Centre zone with Power Boost (max. kW)		3.70	3.70
Front left zone with Power Boost (max. kW)		3.70	3.70
Front right zone with Power Boost (max. kW)		3.70	3.70

KEY FEATURES		T68FUV4LO   N90	T68FHV4LO   N70	T66FHX4LO   N70	T66FHE4LO   N70
Home Connect		•	•	•	•
Hob-Hood Control		•	•	•	•
5" Full Touch colour display with Dish Categories		Via HC	Via HC	Via HC	Via HC
Favourite Button		•	•	•	•
Smart Hood Automatic		•	•	•	•
Extended Frying Sensor		11 settings	11 settings	11 settings	11 settings
Power Move / Power Boost / Power Transfer		/ ● / ●	/ ● / ●	/ ● / ●	/ ● / ●
Pan Boost					
Number of Flex Induction zones		1	1	2	1
Extended Flex Induction Zone					
Number of Combi Induction zones					
FEATURES					
Number of individual zones		5	5	4	4
Power levels		17	17	17	17
Digital display / Adaptable Volume		Red / White Display / ●	● / ●	● / ●	● / ●
Count up Timer					
QuickStart		•	•	•	•
Restart Function		•	•	•	•
Energy Consumption Display		•	•	•	•
Main on/off switch		•	•	•	•
Quick-Off Function / Pause Function		/ ●	/ ●	/ ●	/ ●
Pan Recognition		•	•	•	•
Demo Mode		•	•	•	•
Keep Warm Function		Via HC / Favourite Button	Via HC / Favourite Button	Via HC / Favourite Button	Via HC / Favourite Button
SAFETY FEATURES					
Residual Heat Indicator		•	•	•	•
Timer with automatic switch off for each zone		•	•	•	•
Control Panel Lock		•	•	•	•
Safety Time Switch off		•	•	•	•
Wipe Protection Function					
PERFORMANCE / TECHNICAL INFORMATION					
Nominal voltage	V	220-240	220-240	220-240	220-240
Maximum power output	W	7,400	7,400	7,400	7,400
Electrical cable length	cm	110	110	110	110
Plug&Play with GB plug					
Rear left Flex Induction zone - power	kW/mm	1.40	1.60	2.20	2.20
Rear left zone power	kW/mm	145	145	190x230	190x230
Rear right Flex Induction zone - power	kW/mm	2.20	2.20	2.20	2.20
Rear right zone power	kW/mm	200x210	200x210	190x230	190x230
Rear Centre zone power	kW/ mm				1.60
Front Centre zone power	kW/ mm	2.20	2.20		145
Front left Flex Induction zone - power	kW/mm	1.80	2.00	2.20	2.20
Front left zone power	kW/ mm	180	180	190x230	190x230
Front right Flex Induction zone - power	kW/mm	2.20	2.20	2.20	2.20
Front right zone power	kW/ mm	200x210	200x210	190x230	190x230
Flex Induction Zone left power	kW/mm			3.30	2.50
Flex Induction Zone right power	kW/mm	3.30	3.30	380x230	210
Extended Flex Induction rear left - power	kW/mm			3.30	380x230
Extended Flex Induction rear right - power	kW/mm				
Combi Zone left power	kW/mm				
Combi Zone right power	kW/mm				
Rear left zone with Power Boost (max. kW)		2.20	2.20	3.70	3.70
Rear right zone with Power Boost (max. kW)		3.70	3.70	3.70	2.20
Rear Centre zone with Power Boost (max. kW)		3.70	3.70		
Front Centre zone with Power Boost (max. kW)					
Front left zone with Power Boost (max. kW)		3.10	3.10	3.70	3.70
Front right zone with Power Boost (max. kW)		3.70	3.70	3.70	3.70

All models comply with COMMISSION REGULATION (EC) No 1275/2008 with regard to ecodesign requirements for standby and off mode electric power consumption. 14.6kW power output (20A); Current management options for 16A, 13A or 10A connection. \*MasterPartner® and AAR product only.


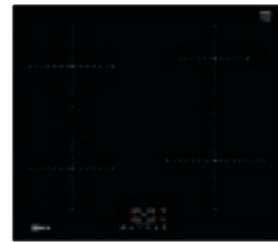
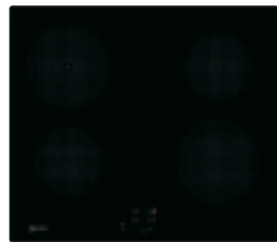
# Induction Hobs

80CM

T58FHW1L0   N70	T58PHW1L0   N70
<ul style="list-style-type: none"> <li>• Twist Touch® Control</li> <li>• CombiZone - 5 zones</li> <li>• Hob Hood Control</li> <li>• Smart Hood automatic</li> <li>• Flushline</li> </ul> 	<ul style="list-style-type: none"> <li>• Twist Touch® Control</li> <li>• CombiZone - 5 zones</li> <li>• Hob Hood Control</li> <li>• Smart Hood automatic</li> <li>• Bevel Front</li> </ul> 

KEY FEATURES		T58FHW1L0   N70	T58PHW1L0   N70
HomeConnect		•	•
Hob-Hood Control		•	•
5" Full Touch colour display			
Favourite Button		•	•
Smart Hood Automatic		•	•
Power Move / Power Boost / Power Transfer		/ • /	/ • /
Pan Boost			
Number of Combi Zones		1	1
FEATURES		T58FHW1L0   N70	T58PHW1L0   N70
Number of individual zones		5	5
Power levels		17	17
Digital display / Adaptable Volume		• / •	• / •
QuickStart		•	•
Restart Function		•	•
Main on/off switch		•	•
Quick-Off Function / Pause Function		/ •	/ •
Pan Recognition		•	•
Demo Mode		•	•
Keep Warm Function		Via HC / Favourite Button	Via HC / Favourite Button
SAFETY FEATURES		T58FHW1L0   N70	T58PHW1L0   N70
Residual Heat Indicator		•	•
Timer with automatic switch off for each zone		•	•
Control Panel Lock		•	•
Safety Time Switch off		•	•
Wipe Protection Function			
PERFORMANCE / TECHNICAL INFORMATION		T58FHW1L0   N70	T58PHW1L0   N70
Nominal voltage	V	220-240	220-240
Maximum power output	W	7,400	7,400
Electrical cable length	cm	110	110
Plug&Play with GB plug			
Rear left Flex Induction zone - power	kW/mm		
Rear left zone - power	kW/mm	1.60	1.60
Rear right Flex Induction zone - power	kW/mm		
Rear right zone - power	kW/mm	2.50	2.50
Rear Centre zone - power	kW/mm	2.50	2.50
Front Centre zone - power	kW/mm		
Front left Flex Induction zone - power	kW/mm		
Front left zone - power	kW/mm	2.00	2.00
Front right Flex Induction zone - power	kW/mm		
Front right zone - power	kW/mm	2.50	2.50
Flex Induction Zone left - power	kW/mm		
Flex Induction Zone right - power	kW/mm		
Extended Flex Induction rear left - power	kW/mm		
Extended Flex Induction rear right - power	kW/mm		
Combi Zone left - power	kW/mm		
Combi Zone right - power	kW/mm	3.30	3.30
Rear left zone - with Power Boost	max. kW	2.20	2.20
Rear right zone - with Power Boost	max. kW	3.70	3.70
Rear Centre zone - with Power Boost	max. kW	3.70	3.70
Front Centre zone - with Power Boost	max. kW		
Front left zone - with Power Boost	max. kW	3.10	3.10
Front right zone - with Power Boost	max. kW	3.70	3.70

60CM

T56FHS1L0   N70	T36FBE1L0   N30	T36FBE1LOG   N30	T36CA50X1U   N30
<ul style="list-style-type: none"> <li>• Twist Touch® Control</li> <li>• CombiZone - 4 zones</li> <li>• Smart Hood automatic</li> <li>• Bevel Front</li> </ul> 	<ul style="list-style-type: none"> <li>• Touch Control</li> <li>• 4 zones</li> <li>• Bevel Front</li> </ul> 	<ul style="list-style-type: none"> <li>• Touch Control</li> <li>• 4 zones</li> <li>• Plug &amp; Play with GB plug</li> <li>• Bevel Front</li> </ul> 	<ul style="list-style-type: none"> <li>• Touch Control</li> <li>• 4 zones / 1 boost zone</li> <li>• Plug &amp; Play with GB plug</li> <li>• Frameless</li> </ul> 

KEY FEATURES		T56FHS1L0   N70	T36FBE1L0   N30	T36FBE1LOG   N30	T36CA50X1U   N30
HomeConnect		•			
Hob-Hood Control		•			
5" Full Touch colour display					
Favourite Button		•			
Smart Hood Automatic		•			
Power Move / Power Boost / Power Transfer		/ • /	/ • /	/ • /	/ Rear left only /
Pan Boost					
Number of Combi Zones		1			
FEATURES		T56FHS1L0   N70	T36FBE1L0   N30	T36FBE1LOG   N30	T36CA50X1U   N30
Number of individual zones		4	4	4	4
Power levels		17	17	17	9
Digital display / Adaptable Volume		• / •	• /	• /	• /
QuickStart		•	•	•	•
Restart Function		•	•	•	•
Main on/off switch		•	•	•	•
Quick-Off Function / Pause Function		/ •	• / •	• / •	• / •
Pan Recognition		•	•	•	•
Demo Mode		•			
Keep Warm Function		Via HC / Favourite Button			
SAFETY FEATURES		T56FHS1L0   N70	T36FBE1L0   N30	T36FBE1LOG   N30	T36CA50X1U   N30
Residual Heat Indicator		•	•	•	•
Timer with automatic switch off for each zone		•	•	•	•
Control Panel Lock		•	•	•	•
Safety Time Switch off		•	•	•	•
Wipe Protection Function					
PERFORMANCE / TECHNICAL INFORMATION		T56FHS1L0   N70	T36FBE1L0   N30	T36FBE1LOG   N30	T36CA50X1U   N30
Nominal voltage	V	220-240	220-240	220-240	220-240
Maximum power output	W	6,900	4,600	3,700	3,700
Electrical cable length	cm	110	110	110	110
Plug&Play with GB plug				•	•
Rear left Flex Induction zone - power	kW/mm				
Rear left zone - power	kW/mm	2.50	1.80	1.80	1.80
Rear right Flex Induction zone - power	kW/mm				
Rear right zone - power	kW/mm	1.60	1.40	1.40	1.40
Rear Centre zone - power	kW/mm				
Front Centre zone - power	kW/mm				
Front left Flex Induction zone - power	kW/mm				
Front left zone - power	kW/mm	2.50	1.80	1.80	1.40
Front right Flex Induction zone - power	kW/mm				
Front right zone - power	kW/mm	2.00	2.20	2.20	1.80
Flex Induction Zone left - power	kW/mm				
Flex Induction Zone right - power	kW/mm				
Extended Flex Induction rear left - power	kW/mm				
Extended Flex Induction rear right - power	kW/mm				
Combi Zone left - power	kW/mm				
Combi Zone right - power	kW/mm	3.60			
Rear left zone - with Power Boost	max. kW	3.70	3.10	3.00	3.10
Rear right zone - with Power Boost	max. kW	2.20	2.20	2.20	
Rear Centre zone - with Power Boost	max. kW				
Front Centre zone - with Power Boost	max. kW				
Front left zone - with Power Boost	max. kW	3.70	3.10	3.00	
Front right zone - with Power Boost	max. kW	3.10	3.70	3.00	

THE NEFF OVEN COLLECTIONS

HOBES




VENTILATION

REFRIGERATION

DISHWASHING

LAUNDRY

# Ceramic Hobs

	80CM	60CM	
	T18FDH9L   N70	T16NBE1L   N50	T16NKE0L   N30
• Touch Control • 4 zones • Dual & Extendable Zones • Boost Function • Bevel Front		• Touch Control • 4 zones  • Frameless	• Side Control dials • 4 zones  • Frameless
			

FEATURES			
Number of individual zones		4	4
No. of dual zones		2	
No. of extendable zones		1	
Power Boost		Centre; Front Left	
Power levels		17	9
Digital display		•	
Restart function		•	
Energy consumption display		•	
Main on/off switch		•	
Keep warm function		•	
SAFETY FEATURES			
Residual heat indicator		•	•
Timer with automatic switch off for each zone		•	
Control panel lock		•	
Safety time switch off		•	
Wipe protection function		•	
PERFORMANCE/TECHNICAL INFORMATION			
Nominal voltage	V	220-240	
Maximum power output	W	9,300	
Electrical cable length	cm	110	
Plug&Play with GB plug			
Rear left zone	kW/mm	1.20	145
Rear right zone	kW/mm		
Rear centre zone	kW/mm	1.70-2.40	180-230
Front centre zone	kW/mm		
Front left zone	kW/mm	0.80-2.10	120-210
Front right zone	kW/mm	1.80-2.60	170-265
Rear left zone – with Power Boost	max. kW		
Rear right zone – with Power Boost	max. kW		
Rear centre zone – with Power Boost	max. kW	3.40	
Front centre zone – with Power Boost	max. kW		
Front left zone – with Power Boost	max. kW		
Front right zone – with Power Boost	max. kW	2.60	

# Induction Cookware Accessories Range

Excellent accessories that perform as well as your hob does.

This range of Induction Cookware Accessories are designed to perfectly fit Flex Induction and Induction hobs. The rectangular shapes perfectly fit into the flex zones.

All accessories are oven-proof up to 220°C with a non-stick coating that cooks your food perfectly while also being easy to clean.

The pans are designed to be easily stacked to maximise your storage space.



Double Flex Pans Set (4 Pans)

Includes:

- Flex Pan Large
- Flex Pan Medium
- 2x Flex Pan small with lid.

Z9404FF0



Single Flex Pans Set (3 Pans)

Includes:

- Flex Pan Medium
- 2x Flex Pan small with lid.

Z9403FF0



Large Pan

Very large frying surface for cooking big portions like for meat fish and more.

Z9401FF0



Teppan Yaki

- Oven proof up to 220C.
- Excellent non-stick properties
- Even heat distribution
- Easy to clean

Z9401TY0

# Flex Induction Hobs

**90CM**  
T50FS41X0

\* Minimum distance from the hob cut-out to the wall  
 \*\* Recessed depth  
 \*\*\* With fitted oven underneath min. 30, possibly more; see space requirements for the oven

① Ventilation gap must be present

**90CM**  
T59FT50X0

\* Minimum distance from the hob cut-out to the wall  
 \*\* Recessed depth  
 \*\*\* With fitted oven underneath min. 30, possibly more; see space requirements for the oven

① Ventilation gap must be present

**80CM**  
T58FT20X0, T58FD20X0

\* Minimum distance from the hob cut-out to the wall  
 \*\* Recessed depth  
 \*\*\* With fitted oven underneath min. 30, possibly more; see space requirements for the oven

① Ventilation gap must be present

**60CM**  
T56FT60X0, T56FD50X0

\* Minimum distance from the hob cut-out to the wall  
 \*\* Recessed depth  
 \*\*\* With fitted oven underneath min. 30, possibly more; see space requirements for the oven

① Ventilation gap must be present

**60CM**  
T36FBE1L0, T66FH4L0

A. Minimum distance from the hob cut-out to the wall  
 B. Recessed depth  
 C. The clearance between the surface of the worktop and the top of the front of the oven must be 30 mm. See space requirements for the oven.

The worktop into which the hob is installed must withstand loads of approx. 80 kg; suitable substrates must be used if required.

D	E	F
389-425	30	≥ 35
> 400	≥ 35	≥ 35

① Ventilation gap must be present

All measurements in mm

# Induction & Ceramic Hobs

ALL INDUCTION HOBS USE ONE OF THESE LINE DRAWINGS

**80CM & 60CM**  
T48FD23X2, T46FD53X2, T36FB40X0, T36FB41X0G

① Ventilation gap must be present.

**80CM & 60CM**  
T48PD23X2, T46PD53X2

① Ventilation gap must be present.

ALL INDUCTION HOBS USE THESE LINE DRAWINGS

**80CM & 60CM**  
T48PD23X2, T46PD53X2, T48FD23X2, T46FD53X2, T36FB40X0, T36FB41X0G

① Ventilation gap must be present

**80CM**  
T48PD23X2

\* Minimum distance from the hob cut-out to the wall  
 \*\* Recessed depth  
 \*\*\* With fitted oven underneath min. 30, possibly more; see space requirements for the oven

**60CM**  
T36CA50X1U

A. Minimum distance from the hob cut-out to the wall  
 B. Recessed depth  
 C. The clearance between the surface of the worktop and the top of the front of the oven must be 30 mm. See space requirements for the oven.

The worktop into which the hob is installed must withstand loads of approx. 80 kg; suitable substrates must be used if required.

D	E	F
389-425	30	≥ 35
> 400	≥ 35	≥ 35

① Ventilation gap must be present

All measurements in mm

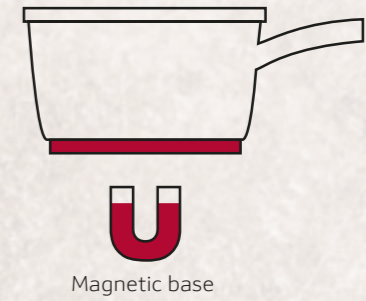
## Flex Induction Accessories

Spanning the length of your Flex Induction zone, our accessories are designed to inspire you in the kitchen. From everyday cooking to theatrical displays, there's an accessory to bring out the best in your favourite dishes.

Product	Description	Material	Code	Part Number
<p>Griddle Plate</p> 	<p>Surface Area 41.5 x 26.5cm</p> <p>Ideal for cooking steaks, fish, flatbreads and sliced vegetables, an induction griddle plate offers considerably more flexibility than a standard square griddle pan. All accessories within our induction range are easy to clean and dishwasher safe.</p>	Cast Iron	Z9416X2	17000339
<p>Oval Roaster</p> 	<p>With our roaster and steam accessory, it's possible to steam on a NEFF induction hob too. Ideal for preparing delicate fish and vegetables, steam cooking is a great way to prepare healthy, nutritious dishes. Oven and dishwasher safe.</p>	Stainless steel	Z9410X1	00573879
<p>Steam Rack for use with Oval Roaster</p> 		Stainless steel	Z9415X1	00576118

## Saucepans

Ferrous metal saucepans are required for use on an induction hob. To check if a saucepan can be used with an induction hob use our quick magnetic test shown below. NEFF saucepans have been tried and tested to ensure that they offer optimum performance with NEFF hobs.



Product	Description	Material	Code	Part Number
<p>3 Piece Pan Set</p> 	2 x pots, 1 x Pan	Stainless steel	Z943SE0	17004098
<p>4 Piece Pan Set</p> 	1 x Saute pan, 2 x Pots with lids, 1 x milk pan	Stainless steel	Z9404SE0	17005721
<p>6 Piece Pan Set</p> 	2 x Saute pan, 3 x Pots with lids, 1 x milk pan	Stainless steel	Z9406SE0	17005724
<p>18.5 cm Non Stick Frying Pan</p> 		Cast Iron	Z9428FE0	17005718

# Guide To Gas Hobs

## Gas Hobs

AVAILABLE IN 90CM, 75CM AND 60CM SIZES.



Featured model: T27CS59S0 N70 75cm Gas Hob

## Gas Hobs Finishes



Ceramic glass on stainless steel trim



Stainless steel finish with panel insert



Black finish



Black tempered glass



Steel

## Gas Features



### FLAME SELECT®

Cook everything just right with 9-level Flame Select®. With Flame Select® the gas flame adapts to your cooking, offering precise control every time. For the first time ever, cooking with gas is as easy as cooking on an electric hob.

### POWER LEVEL DISPLAY

Some gas hobs benefit from a host of features that are usually found on ceramic hobs, including an LED display. The residual heat indicator displays if there is any residual heat on the hob. In the event of a problem with the individual burner the indicator lights also act as warning lights.

### HIGH SPEED BURNERS

Provide a surge of extra power; particularly useful for boiling a large pan of water quickly.



### WOK BURNER

The secret of Chinese stir fry cooking is heat and speed. Our Domino wok (N23TS19N0) delivers 6.0kW.

### FLAME CONTROL

The flame failure safety device shuts down the supply of gas to the hob if the flame goes out for any reason. The automatic reignition uses a heat sensor to detect if the flame goes out and, if so, will automatically attempt to reignite.

### CAST IRON PAN SUPPORTS

Firmly hold the pan above the flame, leaving space between the base and the burner. They're used on the majority of our models because of their robust and sturdy nature and tolerance to prolonged contact with heat.

### EASY GRIP CONTROLS


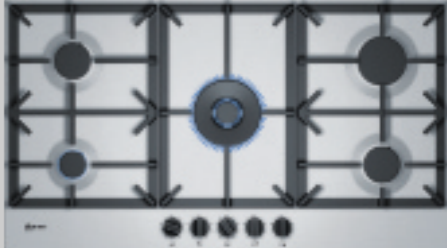
Ergonomically designed to be gripped and turned easily, even with wet or greasy hands.

### SIMMER SETTING

Excellent for slow simmering, almost all of our gas hobs have a very low burner with a maximum of just 1.0kW.





## Gas Hobs




	90CM	
	T29TS79N0   N90	T29DS69N0   N70
	<ul style="list-style-type: none"> <li>• Black/Stainless steel Top Trim</li> <li>• 5 burner</li> <li>• 6.0kW Wok Burner</li> <li>• Dishwasher Proof cast iron supports</li> <li>• Flag layout</li> <li>• Flame Select®</li> </ul> 	<ul style="list-style-type: none"> <li>• Stainless Steel</li> <li>• 5 burner</li> <li>• 5.0kW Wok Burner</li> <li>• Cast iron supports</li> <li>• Star layout</li> <li>• Flame Select®</li> </ul> 
Control position	Front	Front
Hob surface type	Ceramic glass	Metal
<b>KEY FEATURES</b>		
Flame Select®	•	•
Digital power level display		
Black control panel insert	•	
Number of dual circuit wok style burners	1	1
High power (5.0kW+) wok burner	•	•
Dual control wok burner	•	•
<b>FEATURES</b>		
Number of cooking zones	5	5
Individual power levels	9	9
Variable power levels		
Ignition via control dials	•	•
Flame failure safety device	•	•
Cast iron pan supports (number)	3	3
Cast iron finish pan supports (number)		
Enamelled steel pan supports	•	
Combine with other Top Trim models using Connecting link	•	
<b>PERFORMANCE / TECHNICAL INFORMATION</b>		
Nominal voltage	V	220-240
Maximum gas power output load	W	13,700
Total connected electrical load	max. W	2.00
Cable length	cm	150
GB plug		
Left burner power	kW	6.00
Front left burner power	kW	
Back left burner power	kW	1.00
Centre/Centre front burner power	kW	1.75
Centre back burner power	kW	5.00
Front right burner power	kW	1.90
Back right burner power	kW	1.75
Right burner power	kW	3.00
Pre-set for natural gas		•
CE Marked		•
<b>STANDARD ACCESSORY</b>		
Wok stand	•	
LPG jets	mbar	28-30 / 37
<b>OPTIONAL ACCESSORY</b>		
Connecting link to combine with other		Z9914X0

# Gas Hobs

75CM

	T27CS59S0   N70	T27DS79N0   N70
	<ul style="list-style-type: none"> <li>• Black Tempered Glass</li> <li>• 5 burner</li> <li>• 4.0kW Wok Burner</li> <li>• Cast iron supports</li> <li>• Star layout</li> <li>• Flame Select®</li> </ul> 	<ul style="list-style-type: none"> <li>• Stainless Steel</li> <li>• 5 burner</li> <li>• 5.0kW Wok Burner</li> <li>• Cast iron supports</li> <li>• Flag layout</li> <li>• Flame Select®</li> </ul> 
Control position	Front	Front
Hob surface type	Tempered glass	Metal
<b>KEY FEATURES</b>		
Flame Select®	•	•
Digital power level display		
Black control panel insert		
Number of dual circuit wok style burners	1	1
High power (5.0kW+) wok burner		•
Dual control wok burner	•	•
<b>FEATURES</b>		
Number of cooking zones	5	5
Individual power levels	9	9
Variable power levels		
Ignition via control dials	•	•
Flame failure safety device	•	•
Cast iron pan supports (number)	5	3
Cast iron finish pan supports (number)		
Enamelled steel pan supports		
Combine with other Top Trim models using Connecting Link		
<b>PERFORMANCE / TECHNICAL INFORMATION</b>		
Nominal voltage	V 220-240	V 220-240
Maximum gas power output load	W 11,500	W 12,500
Total connected electrical load	max. W 1.10	W 1.10
Cable length	cm 100	cm 100
Plug&Play with GB plug		
Left burner power	kW	5.00
Front left burner power	kW 1.00	
Back left burner power	kW 1.75	
Centre/Centre front burner power	kW 4.00	1.00
Centre back burner power	kW 1.75	
Front right burner power	kW 1.75	1.75
Back right burner power	kW 3.00	3.00
Right burner power	kW	
Pre-set for natural gas	•	•
CE Marked	•	•
<b>STANDARD ACCESSORY</b>		
Wok stand		
LPG jets	mbar 28-30 / 37	mbar 28-30 / 37

75CM

	T27DS59S0   N70	T27DS59N0   N70	T27BB59N0   N50
	<ul style="list-style-type: none"> <li>• Black</li> <li>• 5 burner</li> <li>• 4.0kW Wok Burner</li> <li>• Cast iron supports</li> <li>• Star layout</li> <li>• Flame Select®</li> </ul> 	<ul style="list-style-type: none"> <li>• Stainless Steel</li> <li>• 5 burner</li> <li>• 4.0kW Wok Burner</li> <li>• Cast iron supports</li> <li>• Star layout</li> <li>• Flame Select®</li> </ul> 	<ul style="list-style-type: none"> <li>• Stainless Steel</li> <li>• 5 burner</li> <li>• 3.3kW Wok Burner</li> <li>• Cast iron supports</li> </ul> 
Control position	Front	Front	Front
Hob surface type	Metal	Metal	Metal
<b>KEY FEATURES</b>			
Flame Select®	•	•	
Digital power level display			
Black control panel insert			
Number of dual circuit wok style burners	1	1	1
High power (5.0kW+) wok burner			
Dual control wok burner	•	•	•
<b>FEATURES</b>			
Number of cooking zones	5	5	5
Individual power levels	9	9	
Variable power levels			•
Ignition via control dials	•	•	•
Flame failure safety device	•	•	•
Cast iron pan supports (number)	3	3	3
Cast iron finish pan supports (number)			
Enamelled steel pan supports			
Combine with other Top Trim models using Connecting Link			
<b>PERFORMANCE / TECHNICAL INFORMATION</b>			
Nominal voltage	V 220-240	V 220-240	V 220-240
Maximum gas power output load	W 11,500	W 11,500	W 10,800
Total connected electrical load	max. W 1.10	W 1.10	W 1.10
Cable length	cm 100	cm 100	cm 150
Plug&Play with GB plug			
Left burner power	kW		
Front left burner power	kW 1.00	1.00	1.00
Back left burner power	kW 1.75	1.75	1.75
Centre/Centre front burner power	kW 4.00	4.00	3.30
Centre back burner power	kW 1.75		
Front right burner power	kW 1.75	1.75	1.75
Back right burner power	kW 3.00	3.00	3.00
Right burner power	kW		
Pre-set for natural gas	•	•	•
CE Marked	•	•	•
<b>STANDARD ACCESSORY</b>			
Wok stand			
LPG jets	mbar 28-30 / 37	mbar 28-30 / 37	mbar 28-30 / 37

THE NEFF OVEN COLLECTIONS

HOBS

VENTILATION

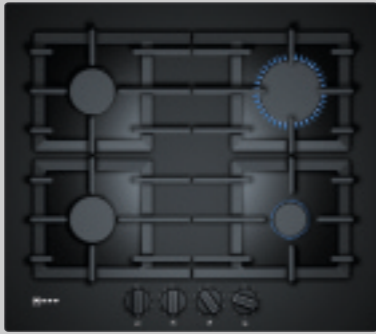

REFRIGERATION


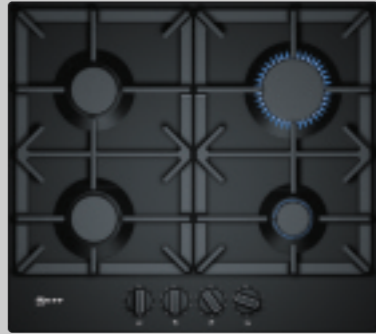
DISHWASHING

LAUNDRY



# Gas Hobs

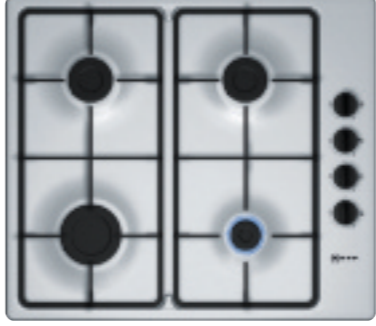

	60CM	
	T26CS49S0   N70	T26DS59N0   N70
	<ul style="list-style-type: none"> <li>• Black Tempered Glass</li> <li>• 4 burner</li> <li>• Cast iron supports</li> <li>• Flame Select®</li> </ul> 	<ul style="list-style-type: none"> <li>• Stainless Steel</li> <li>• 4 burner</li> <li>• 3.5kW Wok Burner</li> <li>• Cast iron supports</li> <li>• Flame Select®</li> </ul> 
Control position	Front	Front
Hob surface type	Tempered glass	Metal
<b>KEY FEATURES</b>		
Flame Select®	•	•
Digital power level display		
Black control panel insert		
Number of dual circuit wok style burners		1
High power (5.0kW+) wok burner		
Dual control wok burner		
<b>FEATURES</b>		
Number of cooking zones	4	4
Individual power levels	9	9
Variable power levels		
Ignition via control dials	•	•
Flame failure safety device	•	•
Cast iron pan supports (number)	4	2
Cast iron finish pan supports (number)		
Enamelled steel pan supports (number)		
Combine with other Top Trim models using Connecting link		
<b>PERFORMANCE / TECHNICAL INFORMATION</b>		
Nominal voltage	V 220-240	220-240
Maximum gas power output load	W 7,500	8,000
Total connected electrical load	max. W 1.10	1.10
Cable length	cm 100	100
Plug&Play with GB plug		
Left burner power	kW	
Front left burner power	kW 1.75	1.75
Back left burner power	kW 1.75	1.75
Centre/Centre front burner power	kW	
Centre back burner power	kW	
Front right burner power	kW 1.00	1.00
Back right burner power	kW 3.00	3.50
Right burner power	kW	
Pre-set for natural gas	•	•
CE Marked	•	•
<b>STANDARD ACCESSORY</b>		
Wok stand		
LPG jets	mbar 28-30 / 37	28-30 / 37

	60CM	
	T26DS49N0   N70	T26DS49S0   N70
	<ul style="list-style-type: none"> <li>• Stainless Steel</li> <li>• 4 burner</li> <li>• Cast iron supports</li> <li>• Flame Select®</li> </ul> 	<ul style="list-style-type: none"> <li>• Black</li> <li>• 4 burner</li> <li>• Cast iron supports</li> <li>• Flame Select®</li> </ul> 
Control position	Front	Front
Hob surface type	Metal	Metal
<b>KEY FEATURES</b>		
Flame Select®	•	•
Digital power level display		
Black control panel insert		
Number of dual circuit wok style burners		
High power (5.0kW+) wok burner		
Dual control wok burner		
<b>FEATURES</b>		
Number of cooking zones	4	4
Individual power levels	9	9
Variable power levels		
Ignition via control dials	•	•
Flame failure safety device	•	•
Cast iron pan supports (number)	2	2
Cast iron finish pan supports (number)		
Enamelled steel pan supports (number)		
Combine with other Top Trim models using Connecting link		
<b>PERFORMANCE / TECHNICAL INFORMATION</b>		
Nominal voltage	V 220-240	220-240
Maximum gas power output load	W 7,500	7,500
Total connected electrical load	max. W 1.10	1.10
Cable length	cm 100	100
Plug&Play with GB plug		
Left burner power	kW	
Front left burner power	kW 1.75	1.75
Back left burner power	kW 1.75	1.75
Centre/Centre front burner power	kW	
Centre back burner power	kW	
Front right burner power	kW 1.00	1.00
Back right burner power	kW 3.00	3.00
Right burner power	kW	
Pre-set for natural gas	•	•
CE Marked	•	•
<b>STANDARD ACCESSORY</b>		
Wok stand		
LPG jets	mbar 28-30 / 37	28-30 / 37

All models comply with COMMISSION REGULATION (EC) No 1275/2008 with regard to ecodesign requirements for standby and off mode electric power consumption. 14.6kW power output (20A); Current management options for 16A, 13A or 10A connection. \*MasterPartner® and AAR product only.

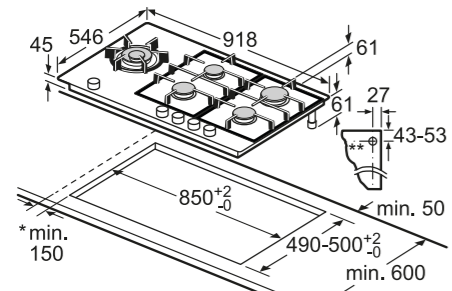
# Gas Hobs

	60CM	
	T26BB59N0   N50	T26CB49S0   N50
	<ul style="list-style-type: none"> <li>Stainless Steel</li> <li>4 burner</li> <li>3.3kW Wok Burner</li> <li>Cast iron supports</li> </ul>	<ul style="list-style-type: none"> <li>Black Tempered Glass</li> <li>4 burner</li> <li>Cast iron supports</li> </ul>
		
Control position	Front	Front
Hob surface type	Metal	Tempered glass
<b>KEY FEATURES</b>		
Flame Select®		
Digital power level display		
Black control panel insert		
Number of dual circuit wok style burners	1	
High power (5.0kW+) wok burner		
Dual control wok burner	•	
<b>FEATURES</b>		
Number of cooking zones	4	4
Individual power levels		
Variable power levels	•	•
Ignition via control dials	•	•
Flame failure safety device	•	•
Cast iron pan supports (number)	2	2
Cast iron finish pan supports (number)		
Enamelled steel pan supports (number)		
Combine with other Top Trim models using Connecting link		
<b>PERFORMANCE / TECHNICAL INFORMATION</b>		
Nominal voltage	V 220-240	220-240
Maximum gas power output load	W 7,800	7,500
Total connected electrical load	max. W 1.10	1.10
Cable length	cm 100	100
Plug&Play with GB plug		
Left burner power	kW	
Front left burner power	kW 1.75	1.75
Back left burner power	kW 1.75	1.75
Centre/Centre front burner power	kW	
Centre back burner power	kW	
Front right burner power	kW 1.00	1.00
Back right burner power	kW 3.30	3.00
Right burner power	kW	
Pre-set for natural gas	•	•
CE Marked	•	•
<b>STANDARD ACCESSORY</b>		
Wok stand		
LPG jets	mbar 28-30 / 37	28-30 / 37

	60CM	
	T26BR46N0   N30	T26BR46S0   N30
	<ul style="list-style-type: none"> <li>Stainless steel</li> <li>4 burner</li> <li>Cast Iron Finish</li> <li>Side controls</li> </ul>	<ul style="list-style-type: none"> <li>Black</li> <li>4 burner</li> <li>Cast Iron Finish</li> <li>Side controls</li> </ul>
		
	Right Side	Right Side
	Metal	Metal
<b>KEY FEATURES</b>		
Flame Select®		
Digital power level display		
Black control panel insert		
Number of dual circuit wok style burners		
High power (5.0kW+) wok burner		
Dual control wok burner		
<b>FEATURES</b>		
Number of cooking zones	4	4
Individual power levels		
Variable power levels	•	•
Ignition via control dials	•	•
Flame failure safety device	•	•
Cast iron pan supports (number)	2	2
Cast iron finish pan supports (number)		
Enamelled steel pan supports (number)		
Combine with other Top Trim models using Connecting link		
<b>PERFORMANCE / TECHNICAL INFORMATION</b>		
Nominal voltage	V 220-240	220-240
Maximum gas power output load	W 7,400	7,400
Total connected electrical load	max. W 0.8	0.8
Cable length	cm 100	100
Plug&Play with GB plug		
Left burner power	kW	
Front left burner power	kW 3.00	3.00
Back left burner power	kW 1.70	1.70
Centre/Centre front burner power	kW	
Centre back burner power	kW	
Front right burner power	kW 1.00	1.00
Back right burner power	kW 1.70	1.70
Right burner power	kW	
Pre-set for natural gas	•	•
CE Marked	•	•
<b>STANDARD ACCESSORY</b>		
Wok stand		
LPG jets	mbar 28-30/37mbar	28-30/37mbar

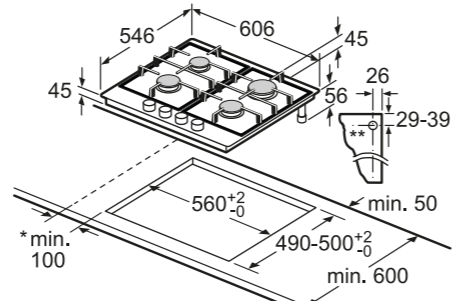
# Gas Hobs

**90CM**  
T29TS79N0



- \* Minimum distance from the hob cut-out to the wall
- \*\* Position of gas connection in the cut-out
- \*\*\* With fitted oven underneath, possibly more; see space requirements for the oven

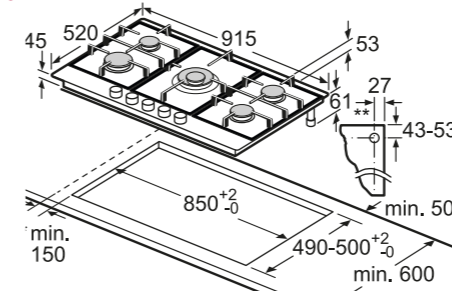
**60CM**  
T26TA49N0



- \* Minimum distance from the hob cut-out to the wall
- \*\* Position of gas connection in the cut-out
- \*\*\* With fitted oven underneath, possibly more; see space requirements for the oven

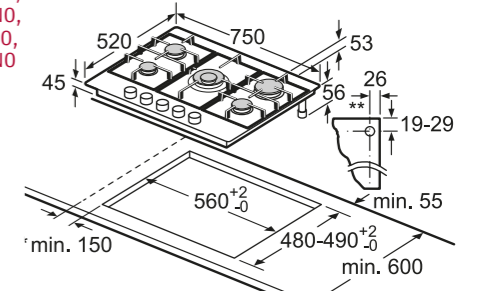
# Gas Hobs

**90CM**  
T29DA69N0,  
T29DS69N0



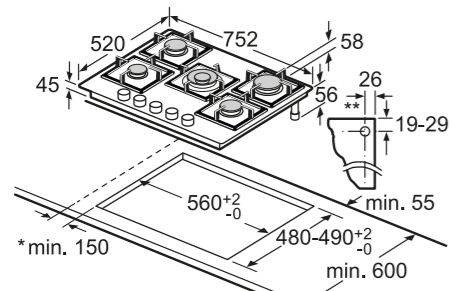
- \* Minimum distance from the hob cut-out to the wall
- \*\* Position of gas connection in the cut-out
- \*\*\* With fitted oven underneath, possibly more; see space requirements for the oven

**75CM**  
T27DA69N0,  
T27DS79N0,  
T27DS59N0,  
T27DS59S0,  
T27BB59N0



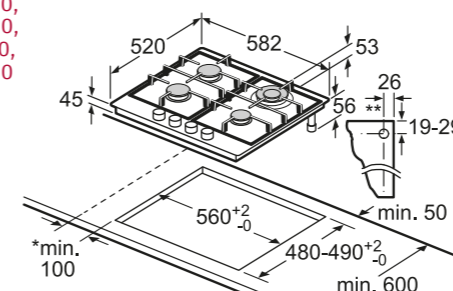
- \* Minimum distance from the hob cut-out to the wall
- \*\* Position of gas connection in the cut-out
- \*\*\* With fitted oven underneath, possibly more; see space requirements for the oven

**75CM**  
T27CS59S0



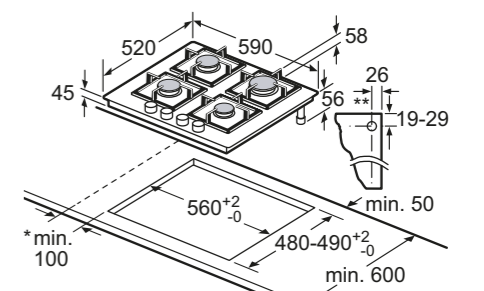
- \* Minimum distance from the hob cut-out to the wall
- \*\* Position of gas connection in the cut-out
- \*\*\* With fitted oven underneath, possibly more; see space requirements for the oven

**60CM**  
T26DA59N0,  
T26DS59N0,  
T26DS49N0,  
T26DS49S0,  
T26BB59N0



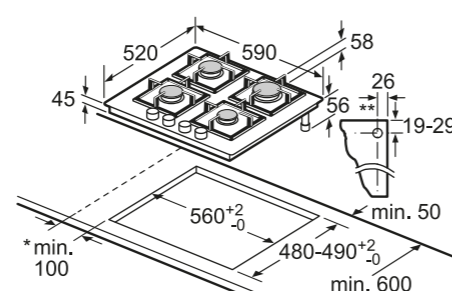
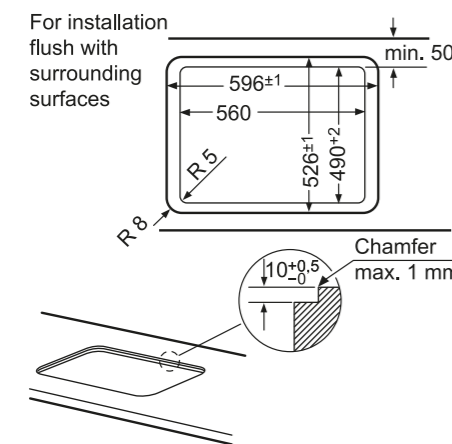
- \* Minimum distance from the hob cut-out to the wall
- \*\* Position of gas connection in the cut-out
- \*\*\* With fitted oven underneath, possibly more; see space requirements for the oven

**60CM**  
T26CB49S0



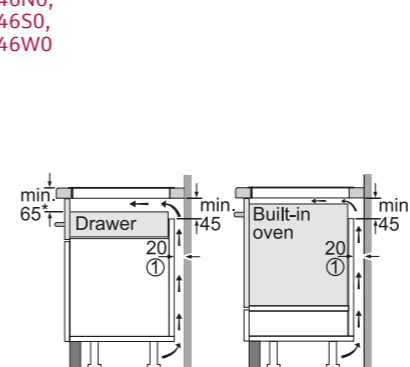
- \* Minimum distance from the hob cut-out to the wall
- \*\* Position of gas connection in the cut-out
- \*\*\* With fitted oven underneath, possibly more; see space requirements for the oven

**60CM**  
T26CS49S0

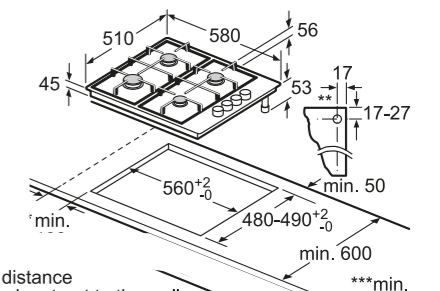


- \* Minimum distance from the hob cut-out to the wall
- \*\* Position of gas connection in the cut-out
- \*\*\* With fitted oven underneath, possibly more; see space requirements for the oven

**60CM**  
T26BR46N0,  
T26BR46S0,  
T26BR46W0



- ① Ventilation gap must be present
- \* Min. 70 for all induction hobs integrated flush with surrounding surfaces



- \* Minimum distance from the hob cut-out to the wall
- \*\* Maximum recessed depth
- \*\*\* With fitted oven underneath min. 30, possibly more; see space requirements for the oven.

# Electric Hobs

## Venting Hobs

Width	Series	Description	Control Type	Home Connect	Colour	Model Number
80cm	N 90	2 x Flex + Ventilation, Climate Control Sensor, Extended Extended Frying Sensor	Anthracite Grey Twist Pad®	✓	Black Anthracite Grey Side Trims	V68AUX4C0
80cm	N 70	2 x Combi Zone, Extended Extended Frying Sensor	Twist Touch®	✓	Flush Black Glass	V58PHQ4C0
80cm	N 70	2 x Combi Zone, Extended Extended Frying Sensor	Twist Touch®	✓	Black Glass	V58NHQ4L0
80cm	N 50	1 x Combi Zone	Touch Control		Black Glass	V58NBS1L0
70cm	N 70	2 x Combi Zone, Extended Extended Frying Sensor	Twist Touch®		Black/Stainless steel Side Trims	V57THQ4L0
60cm	N 50	1 x Combi Zone	Touch Control		Black Glass	V56NBS1L0

## Flex Induction Hobs

Width	Series	Description	Control Type	Home Connect	Colour	Model Number
90cm	N 90	2 x Flex + 32cm triple zone, Hob-Hood Control	Anthracite Grey Twist Pad®	✓	Black Glass	T69FUV4L0
90cm	N 70	2 x Flex + 32cm triple zone, Hob-Hood Control, Extended Extended Frying Sensor	Twist Touch®	✓	Black Glass	T69FHV4L0
80cm	N 90	1xFlex + 3 zones, Hob-Hood Control	Anthracite Grey Twist Pad®	✓	Black Glass	T68FUV4L0
80cm	N 70	1 x Flex + 3 zones, Hob-Hood Control, Extended Extended Frying Sensor	Twist Touch®	✓	Black Glass	T68FHV4L0
60cm	N 70	2 x Flex, Hob-Hood Control, Extended Extended Frying Sensor	Twist Touch®	✓	Black Glass	T66FHX4L0
60cm	N 70	1 x Flex + 2 zones, Hob-Hood Control, Extended Extended Frying Sensor	Twist Touch®	✓	Black Glass	T66FHE4L0

## Induction Hobs

Width	Series	Description	Control Type	Home Connect	Colour	Model Number
80cm	N 70	CombiZone 5 Zones - 17 power levels, Hob-Hood Control	Twist Touch®	✓	Flush Black Glass	T58PHW1L0
80cm	N 70	CombiZone 5 Zones - 17 power levels, Hob-Hood Control	Twist Touch®	✓	Black Glass	T58FHW1L0
60cm	N 70	CombiZone 4 Zones - 17 power levels, Hob-Hood Control	Twist Touch®	✓	Black Glass	T56FHS1L0
60cm	N 30	4 zones	Touch Control		Black Glass	T36FBE1L0
60cm	N 30	4 zones, Plug & Play with GB Plug	Touch Control		Black Glass	T36FBE1L0G
60cm	N 30	9 Power levels, 4 zones, Plug & Play with GB Plug	Touch Control		Black Glass	T36CA50X1U

## Quick-Light Ceramic Hobs

Width	Series	Description	Control Type	Home Connect	Colour	Model Number
80cm	N 70	4 zones, 17 power levels, Boost function	Touch Control		Black Glass	T18FDH9L
60cm	N 50	4 zones, 17 power levels	Touch Control		Black Glass	T16NBE1L
60cm	N 30	4 zones, 9 power levels	Side Control Dials		Black Glass	T16NKE0L

# Gas Hobs

Width	Series	Description	Control Type	Home Connect	Colour	Model Number
90cm	N 90	Ceramic Glass, 5 burner, Flag Layout, 6.0kW Wok Burner	Flame Select®		Black/Stainless steel Top Trim	T29TS79N0
90cm	N 70	5 burner, 5.0kW Wok burner, Star Layout	Flame Select®		Stainless steel	T29DS69N0
75cm	N 70	Black Tempered Glass, 5 burner, 4.0kW Wok burner, Star Layout	Flame Select®		Black Tempered Glass	T27CS59S0
75cm	N 70	5 burner, 4.0kW Wok burner, Star Layout	Flame Select®		Stainless steel	T27DS59N0
75cm	N 70	5 burner, 5.0kW Wok burner, Flag Layout	Flame Select®		Stainless steel	T27DS79N0
75cm	N 70	5 burner, 4.0kW Wok burner, Star Layout	Flame Select®		Black	T27DS59S0
75cm	N 50	5 burner, 3.3kW Wok burner			Stainless steel	T27BB59N0
60cm	N 70	Black Tempered Glass, 4 burner	Flame Select®		Black Tempered Glass	T26CS49S0
60cm	N 70	4 burner, 3.5kW Wok burner	Flame Select®		Stainless steel	T26DS59N0
60cm	N 70	4 burner	Flame Select®		Stainless steel	T26DS49N0
60cm	N 70	4 burner	Flame Select®		Black	T26DS49S0
60cm	N 50	4 burner, 3.3kW Wok burner			Stainless steel	T26BB59N0
60cm	N 50	Black Tempered Glass, 4 burner			Black Tempered Glass	T26CB49S0
60cm	N 30	4 burner			Stainless steel	T26BR46N0
60cm	N 30	4 burner			Black	T26BR46S0

THE NEFF OVEN COLLECTIONS

HOBES

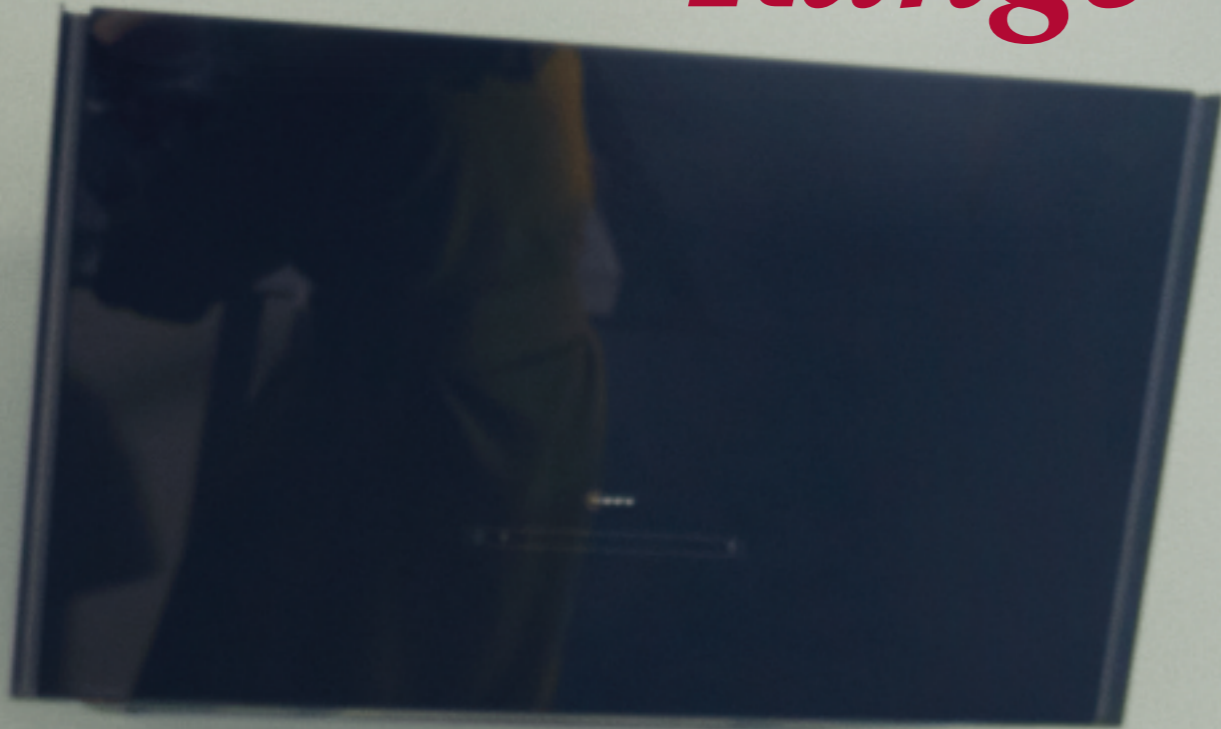
VENTILATION

REFRIGERATION

DISHWASHING

LAUNDRY

# NEFF VENTILATION *Range*



## Ventilation Solutions – Our Guide

Ventilation is a key consideration in every kitchen - the Hob and Hood are a focal point of all cooking setups. The kitchen design and layout will dictate the Ventilation solution that is perfect for your kitchen

NEFF have a clear and comprehensive range that can be installed in every kitchen and the following chapter will give full details of the Ventilation solutions available.

Solutions for each installation requirement are grouped together. Each sub category presented in width order to assist in choosing the correct size for the kitchen design and to complement a NEFF hob. Product specification, Accessories and Installation details then follow.

## Why NEFF Ventilation?

**Performance** – NEFF focus on extraction performance and have options to suit all kitchen styles. Depending on whether using induction or gas there is an option for every hob.

**Design** – this is as important as Performance in a kitchen as the style of the hood needs to match the style and aesthetics in the kitchen – NEFF have a broad range of hoods that can be the focal point of the kitchen or installed neatly in furniture.

**Connected** – Using Home Connect allows the control of the hood to be done by voice or your phone making the cooking experience easier. Features such as Climate Control & Hob Hood control are further options for easy use of the Hood.

**Installation** – all NEFF hoods have been designed with the installation front of mind. With ducting and filters to match the installation solution – it's easy to navigate the range and order the appropriate kit. There are also installation videos to assist.

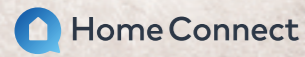


# Your Guide to Control Types



## Home Connect

Compatible with Amazon Alexa and Google Assistant.



## Touch Control

Featured on selected models in the N90, N70 and N50 Collections. Touch Control flawlessly complements our ovens and compact appliances. An LED display is also available with selected Touch Control models.



## Soft Touch Control

Available across selected models within the N70 and N50 Collection, our Soft Touch Control hoods allow for greater control over power levels. Selected models also feature a white LCD screen.



## Push Button

Our classic hoods feature simple, sleek and easy to use push button controls. Available across selected models in the N30 Collection.



## Remote Control

Available across all Ceiling Hood models.



## Rotary Switch Control

Featured on selected Canopy Hood models within our N70 Collection, our Rotary Switch Control features a pop-out dial with 3 levels of power to choose from. When not in use the dial can be neatly popped back into place.

## Rocker or Slider Switch Control

Available on our N30 Telescopic and Canopy models, our rocker or slider switch control offers a simple and straight forward setting navigation that's neatly concealed within the hood furniture.



# Key Functions Guide

## Features



### HOME CONNECT

Control all functions and settings of your hood directly from your smart phone and voice control for the ultimate connected cooking experience.



### HOB HOOD CONTROL

The Hob Hood Control allows the hood to be directly controlled from the hob. This means the hood turns on when you start cooking and, in automatic mode, can automatically regulate the power level for the best performance with the lowest noise – it also means you no longer need to worry about adjusting the hood and you can focus on your cooking.



### CLIMATE CONTROL

Detects the amount of steam and smells using a sensor attached to the motor and automatically sets the most effective power level to extract it.

### AMBIENT LIGHT

Illuminates your kitchen in the light that suits the occasion best. Choose from 31 colours to change how your kitchen looks and, most importantly, how it makes you feel.



### EFFICIENT DRIVE MOTOR

Our Efficient Drive motor brings harmony to the kitchen. It's whisper-quiet and powerful too. Now you can focus on your cooking, and your guests, while your extractor keeps your kitchen calm, clean and serene.



### NEFF SILENCE BUTTON

The unique noise reduction function reduces the fan noise by a couple of decibels, ensuring that the kitchen stays quiet while you cook and entertain your guests. This function can be used at any fan setting except fan setting 1.

### SATURATION INDICATORS

Take the stress out of guessing, this function will prompt you if the grease filters should be cleaned. If the hood is installed in recirculation, this will also indicate when the charcoal filters need replacing.

### BOOST POSITION

For our sleek angled glass and flat hoods, receive an extra boost of extraction performance in special cooking situations, for example when frying meat or fish. The front panel can be slightly opened during cooking to a defined extraction boost position in order to increase the steam catching rate of the hood and keep your kitchen free from steam.

## Functions

### AUTOMATIC AFTER-RUNNING

Continues running at a low speed for 3-30 minutes before turning itself off. Perfect for keeping fresh air in the kitchen post cooking.

### INTENSIVE SETTING

Boosts the extraction rate to the maximum level to cope with particularly demanding cooking conditions.

### ELECTRONIC POWER LEVEL DISPLAY

The sleek display clearly shows the selected fan power level setting.

### NEFF FRESH AIR

Runs an automatic air exchange programme, turning the hood into power level 1 for 5 minutes every hour for as long as required.

### AUTOMATIC REVERT

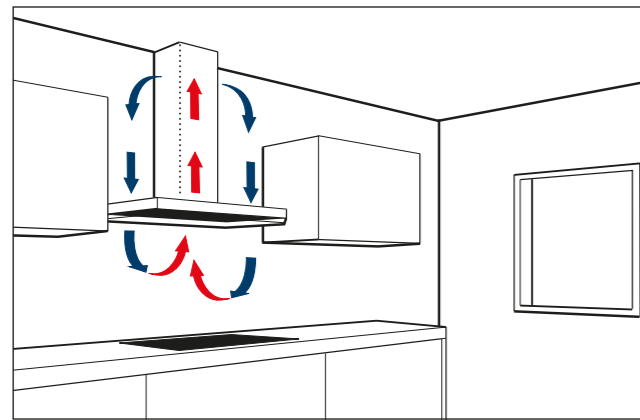
Automatically reverts the hood back to a lower power level after approximately ten minutes of being on the intensive setting.

### SOFT LIGHT

Brightens or dims the lights as it's switched on or off; just press and hold to adjust the level of brightness.

# Installation Options

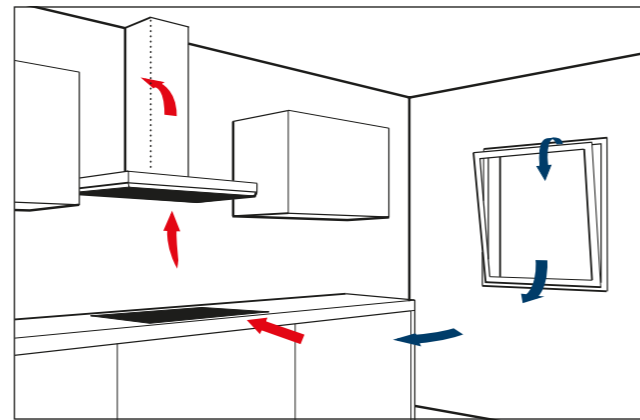
The best way to remove steam and odours is to extract the air out of the room through ducting. Unfortunately, in apartments or where the hood is too far away from an outside wall, this may not be possible. In this case, the only alternative is to recirculate the air. Stale air is sucked through a grease filter, before being purified in a charcoal filter, and then pumped back into the kitchen via an opening in the hood.



Recirculation

## Recirculating

Removes between 70-95% of odours depending on filter used. Requires changing of charcoal filter on a regular basis or a longer-lasting Regenerative filter for certain models can be used.



Extraction

## Ducted

Removes up to 98% of odours in an optimal installation. Requires planning of ducting (ducting to be sourced separately), however doesn't require a recirculation charcoal filter.

## Use the following equation to calculate your extraction rate:

Volume of kitchen (length x width x height) eg. 4m x 3m x 2.5m = 30m<sup>3</sup>

6 x volume in normal operation and 12 x volume in intensive operation.

Please note that these are recommended estimates only to be used as a guide. This assumes a 2.5m standard ceiling height with 12 air changes per hour to match to an intensive extraction rate.

## Regenerative Recirculation Filters

The new Regenerative Charcoal Filters give you a long lasting filter, thanks to a regenerative process using your oven, and can even be installed without a chimney piece if preferred. Benefit from up to 95% odour reduction when in recirculation mode.

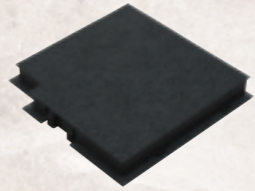
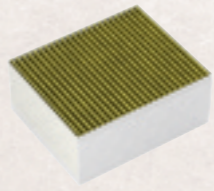
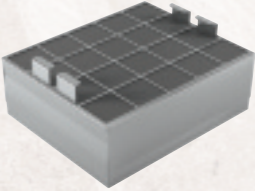
## Identify your extraction rate

Your extractor needs to circulate the air in the room 6 times in normal operation, 12 times in intensive operation, per hour. Use the below to help identify the required extraction rate which can then be used to select the appropriate extractor.

	2.5m	3m	3.5m	4m	4.5m	5m
2.5m	16m <sup>3</sup>					
3m	19m <sup>3</sup>	23m <sup>3</sup>				
3.5m	22m <sup>3</sup>	26m <sup>3</sup>	31m <sup>3</sup>			
4m	25m <sup>3</sup>	30m <sup>3</sup>	35m <sup>3</sup>	40m <sup>3</sup>		
4.5m	28m <sup>3</sup>	34m <sup>3</sup>	39m <sup>3</sup>	45m <sup>3</sup>	51m <sup>3</sup>	
5m	31m <sup>3</sup>	38m <sup>3</sup>	44m <sup>3</sup>	50m <sup>3</sup>	56m <sup>3</sup>	63m <sup>3</sup>

## Recirculation Filters

We offer a range of recirculation filters that are available depending on the model of hood you choose. Featuring powerful odour reduction rates and performance benefits, our new regenerative filters can last up to 10 years and are regenerated through a heating process in the oven every 4 months.

TYPE :	Standard Odour Filter	Cleanair Plus Filter	Long Life Regenerative Filter
			
ODOUR REDUCTION	Up to 85%	Up to 95%	Up to 95% (Up to 86% if installed without a chimney)
RECOMMENDED EXCHANGE	Approx. 2 times per year	Approx. once per year	Approx. once every 10 years
KEY BENEFITS	<ul style="list-style-type: none"> <li>Simple installation</li> <li>Anti-fish treatment</li> </ul>	<ul style="list-style-type: none"> <li>Up to 3dB (A) sound reduction</li> <li>Better extraction performance</li> <li>Anti-fish treatment</li> <li>Removes over 99% of all pollen</li> </ul>	<ul style="list-style-type: none"> <li>Up to 3dB (A) sound reduction</li> <li>Regenerated in the oven every 4 months recommended (2 hours 200°C)</li> <li>Better extraction performance</li> </ul>
INSTALLATION	Behind grease filter, inside the hood	Extra module attached to hood chimney (stainless steel) New Chimney Hoods: Integrated plastic module fitted inside the chimney piece	Extra module (as per CleanAir filter) onto chimney or inside chimney. 'Chimless' installation possible (Angled and Flat only)
INSTALLATION WITHOUT CHIMNEY POSSIBLE?	Yes (Angled and Flat only)	Yes (Angled and Flat only)	Yes (Angled and Flat only)

CleanAir Plus and Regenerative filters not available for all styles of hood. Additional module may be required to house the filter. Images for example only, different filters may come in a different size and style.

## Installation

The following points should be observed for optimum ducted extraction results and low noise:

1. Ensure any pipe elbow bends are at least 30cm from the hood ducting opening.
2. Avoid reducing the diameter or area of the ducting.
3. Use wide-angled pipe elbows, but keep the number used to a minimum.
4. Only install pipes with smooth, even inner surfaces. If a flexible hose has to be used, ensure it is pulled tight to smooth out the ridges before fixing.
5. Use ducting pipes with a diameter of at least 120mm, but ideally 150mm.
6. Keep piping to a minimum – use the most direct route to an external outlet.
7. Make sure that there is an adequate supply of fresh air to replace the air ducting out of the kitchen, i.e. windows that can be opened, doors to adjacent rooms, air bricks. Problems with installation may occur if points 1-7 are not observed.

## Easy Mounting System

Thanks to an easy wall-mounting system, selected hoods can be installed quickly and securely by one person. Rotating offset 'cam' fixings make it possible for positional adjustments of up to 6mm, helping to get the hood level and stable. (Not available on all our hoods.)

# Island Ventilation Solutions

Open plan kitchens are growing in popularity and these solutions can create that open plan aesthetic.



## Glass Draft Hood

- Modern version of a downdraft hood is a highly effective worktop ventilation solution that vanishes completely when not in use.
- A unique solution with impressive design and performance credentials
- Guided Air technology has an additional motor with a fan that creates a “V” shaped curtain of air behind the screen – pushing down cooking vapours which are captured by the extractor fan.
- Fully Automated Extraction – using Climatecontrol sensor to detect the amount of humidity and grease in the air – automatically adjusting to the correct level.
- Ambient lighting – using the Home Connect app the colours can be changed to suit the room or the vibe in the kitchen.



## Venting Hob

- Designed with open plan living in mind – Extremely silent powerful ventilation.
- Generous glass surface area with a slim integrated vent creates a flexible work surface which is simple to clean.
- Easy to remove Grease filter can hold spillages of up to 200ml.
- Grease filter and holder and dishwasher safe for easy & effective cleaning
- Flex Induction & Combi Zone models available
- Choice of Controls – Twist Pad®, Touch Twist® or Touch control®.

## Seamless Hob Installation

- To create a unified hob and hood installation the Glass Draft Hood can be combined with selected Induction hobs.
- Available for both 90cm and 80cm widths.



## Ceiling Hood

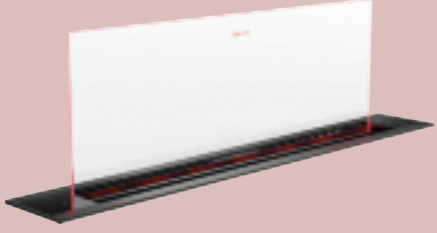
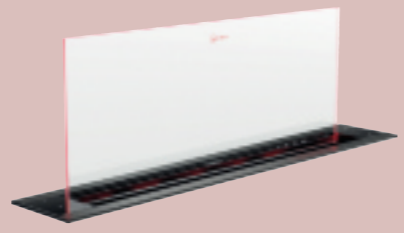
- Designed for modern island and peninsula kitchen layouts.
- Provide high performance with low noise levels.
- Easy adjustable installation for different thickness of ceiling material and construction
- Flush mounted
- Can be used in extraction or recirculation mode
- 360° turntable motor – easy access for ducting and power connection once installed.
- Can be used with Clean Air or Regenerative filters.






# Worktop Installation

- Installation can be Recirculated or Ducted out.

	90CM I98WMM1S7B   N90	80CM I88WMM1S7B   N90
	<ul style="list-style-type: none"> <li>• Guided Air Technology</li> <li>• Climate Control Sensor</li> <li>• Hob-Hood Control</li> <li>• Efficient Drive Motor</li> <li>• Home Connect</li> <li>• Ambient Light</li> </ul> 	<ul style="list-style-type: none"> <li>• Guided Air Technology</li> <li>• Climate Control Sensor</li> <li>• Hob-Hood Control</li> <li>• Efficient Drive Motor</li> <li>• Home Connect</li> <li>• Ambient Light</li> </ul> 
	<p><b>ORDER SEAMLESS COMBINATION</b></p> <p><b>Step 1 – Glass Draft Hood</b> Order your glass draft hood. • I98WMM1S7B</p> <p><b>Step 2 – Induction Hob</b> Order your compatible Induction Hob. • T69FUV4L0 90cm Flex Induction Hob • T69FHV4L0 90cm Flex Induction Hob</p> <p><b>Step 3 – Seamless Installation Kit</b> Order your Seamless Combination Kit • Z92WWY9X2</p>	<p><b>ORDER SEAMLESS COMBINATION</b></p> <p><b>Step 1 – Glass Draft Hood</b> Order your glass draft hood. • I88WMM1S7B</p> <p><b>Step 2 – Induction Hob</b> Order your compatible Induction Hob. • T68FUV4L0 80cm Flex Induction Hob • T58FHW1L0 80cm Flex Induction Hob • T68FHV4L0 80cm Flex Induction Hob</p> <p><b>Step 3 – Seamless Installation Kit</b> Order your Seamless Combination Kit • Z92WWY8X2</p>
<b>SPECIAL FEATURES</b>		
Seamless Installation to Hob Available (Check Compatibility)	•	•
Home Connect	•	•
Guided Air	•	•
Ambient Light	•	•
Climate Control Sensor	•	•
Hob-hood control	•	•
Efficient Drive	•	•
Intensive setting / Automatic intensive revert <sup>1</sup>	•	•
Filter Saturation Indicator	•	•
Filter Service Position	•	•
<b>FEATURES</b>		
Suitable for ducted operation / recirculating <sup>2</sup>	•	•
Power levels	3 + 2 Intensive	3 + 2 Intensive
NEFF Fresh Air (Interval operation)	•	•
Automatic after running	min 10	10
Lighting	Glass rim illumination	Glass rim illumination
Type of control	Touch Control	Touch Control
<b>PERFORMANCE / TECHNICAL INFORMATION</b>		
Energy Rating	A	A
Appliance width	mm 918	802
<b>Extraction Rate in m<sup>3</sup>/h<sup>3,4</sup></b>		
Power level 3 - ducted / recirculating	519 / 472	501 / 447
Intensive level 1 - ducted / recirculating	656 / 543	620 / 501
Intensive level 2 - ducted / recirculating	833 / 620	775 / 562
<b>Noise level (sound power) based on dB(A) re 1 pW<sup>3,5</sup></b>		
Power level 3 - ducted / recirculating	62 / 65	62 / 65
Intensive level 1 - ducted / recirculating	67 / 68	67 / 67
Intensive level 2 - ducted / recirculating	71 / 71	70 / 70
Extension Height	mm 250	250
Pipe outlet diameter	mm 150	150
Minimum distance above an electric hob / gas hob <sup>6</sup>	mm 0 / Not Compatible	0 / Not Compatible
GB plug	•	•

# Ceiling Installation Hoods

	90CM I95CAQ6N0B   N50
	<ul style="list-style-type: none"> <li>• Hob-Hood Control</li> <li>• Efficient Drive Motor</li> <li>• Home Connect</li> </ul> 
<b>SPECIAL FEATURES</b>	
Home Connect	•
Hob Hood control	•
Efficient Drive	•
Intensive setting / Automatic intensive revert <sup>1</sup>	• / •
NEFF Silence function	•
Filter saturation indicator	•
<b>FEATURES</b>	
Suitable for ducted operation / recirculating	• / •
Power levels	3 + 2 Intensive
NEFF Fresh Air (Interval operation)	•
Automatic after running	minutes 10
Lighting	4 x LED lights
Softlight with dimmer function	•
Number of metal grease filter cassettes	2
Type of control	Remote Control
<b>PERFORMANCE / TECHNICAL INFORMATION</b>	
Energy Rating	A
Appliance width	mm 900
<b>Extraction Rate in m<sup>3</sup>/h<sup>3,4</sup></b>	
Power level 3 ducted / recirculating	458 / 422
Intensive level 1 ducted / recirculating	594 / 513
Intensive level 2 ducted / recirculating	798 / 565
<b>Noise level (sound power) based on dB(A) re 1 pW<sup>3,5</sup></b>	
Power level 3 ducted / recirculating	56 / 63
Intensive level 1 ducted / recirculating	62 / 67
Intensive level 2 ducted / recirculating	68 / 69
Pipe outlet diameter	mm 150
Minimum distance above an electric hob / gas hob <sup>6</sup>	mm 650 / 650
GB plug	•

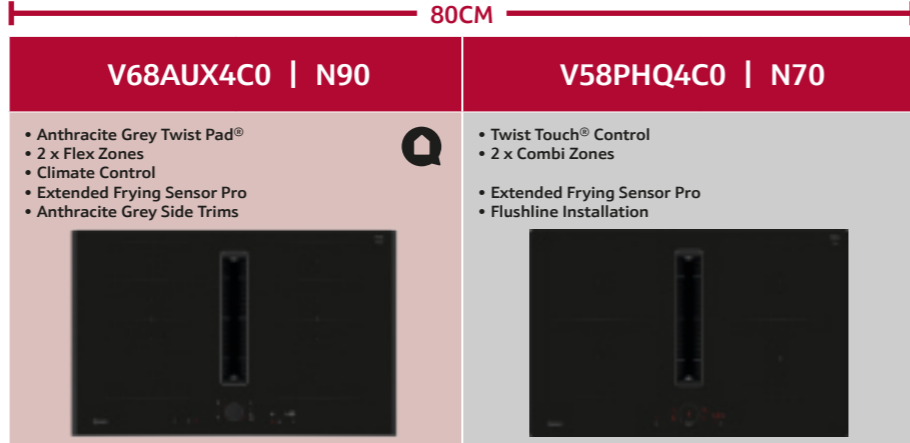
<sup>1</sup>Power automatically reverts back to normal setting after intensive. <sup>2</sup>A type of recirculating kit is required if recirculating. <sup>3</sup>Air Flow and noise declarations made in line with CECEC Code of Conduct. <sup>4</sup>Measured according to EN61591 on largest pipe diameter. <sup>5</sup>Sound power measured according to EN60704-3 on largest pipe diameter. <sup>6</sup>From top of pan supports. Depending on the model, a 'Recirculating odour filter kit' will consist of the following items: Charcoal filter, flexible hose, air duct, fixing components, installation instructions.

# Venting Hobs

- Installed with energy efficient brushless motors that offer powerful but quiet performance.
- Can be installed in Recirculation or Ducted Out – 4 Ventilation solutions available.
- A larger Overflow container will hold up to 700ml and is integrated in the base of the appliance so will not impact on storage space below.
- To install in re-circulation mode no further components are required.

## KEY FEATURES

	V68AUX4C0   N90	V58PHQ4C0   N70
Home Connect	•	•
Integrated extractor	•	•
Automatic extraction	Fully sensor based	Auto-On
Favourite Button	•	•
Extended Frying Sensor	11 settings	11 settings
Power Move / Power Boost / Power Transfer	/ • / •	/ • /
Flex Induction	•	•
Number of Flex Induction zones	2	2: Left & Right
Combi Zone Induction		2: Left & Right
<b>HOB FEATURES</b>		
Number of individual zones	4	4
Power Levels	17	17
Digital display / Adaptable Volume	• / •	• / •
Count up Timer / Count down timer	/ •	/ •
Main on/off switch / Quick Start / Restart Function / Quick Stop	• / • / • /	• / • / • /
Energy Consumption Display	•	•
Pan Recognition / Pan Boost	• /	• /
Demo Mode	•	•
Dish Categories / Setting Recommendations	Via HC	Via HC
Keep Warm Function	Via HC / Favourite Button	Via HC / Favourite Button
<b>SAFETY FEATURES</b>		
Residual Heat Indicator / Wipe Protection Function	• /	• /
Timer with automatic switch off for each zone	• / •	• / •
Control Panel Lock / Safety Time Switch off	• / •	• / •
<b>HOOD FEATURES</b>		
Climate Control sensor	•	•
Power levels	17 + 2 Intensive	9 + 2 Intensive
Automatic intensive revert setting	6 minutes	6 minutes
Automatic or manual control / Interval operation	• / •	• / •
Automatic after running (extraction/recirculation)	12 / 30 minutes	30 minutes
Dishwasher safe grease filter cassette with spillage collection	Yes - 200ml capacity	Yes - 200ml capacity
Dishwasher safe spillage overflow collector	700ml capacity	700ml capacity
Metal grease filter / Electronic grease filter / cleanAir filter saturation indicators	• / • / •	• / • / •
<b>PERFORMANCE / TECHNICAL INFORMATION – HOB</b>		
Nominal voltage / Maximum power output	V / W 220-240 / 7,400	220-240 / 7,400
Electrical cable length	cm 110	110
Rear left Induction zone	kW/mm 2.20   200x240	2.50   190x210
Rear right Induction zone	kW/mm 2.20   200x240	2.50   190x210
Front left Induction zone	kW/mm 2.20   200x240	2.50   190x210
Front right Induction zone	kW/mm 2.20   200x240	2.50   190x210
Flex Induction zone left	kW/mm 3.30   400x240	3.60   380x210
Flex Induction zone right	kW/mm 3.30   400x240	3.60   380x210
CombiZone left	kW/mm 3.70 / 3.70	3.70 / 3.70
CombiZone right	kW/mm 3.70 / 3.70	3.70 / 3.70
Rear left / right zone – with Power Boost	max. kW 3.70 / 3.70	3.70 / 3.70
Front left / right zone – with Power Boost	max. kW 3.70 / 3.70	3.70 / 3.70
<b>PERFORMANCE / TECHNICAL INFORMATION – EXTRACTOR</b>		
Extractor energy efficiency rating		
<b>Extraction Rate in m<sup>3</sup>/h<sup>1,2</sup></b>		
Ducted / Recirculating power level Minimum	154 / 132	154 / 117
Ducted / Recirculating power level Maximum	500 / 499	500 / 487
Ducted / Recirculating power level Intensive	622 / 595	622 / 595
<b>Noise level (sound power) based on dB(A) re 1 pW<sup>1,3</sup></b>		
Ducted / Recirculating power level Minimum	42 / 41	42 / 41
Ducted / Recirculating power level Maximum	69 / 68	69 / 68
Ducted / Recirculating power level Intensive	74 / 72	74 / 72
Motor power	170	170



80CM		70CM	60CM
V58NHQ4L0   N70	V58NBS1L0   N50	V57THQ4L0   N70	V56NBS1L0   N50
• Twist Touch® Control • 2 x Combi Zones • Extended Frying Sensor Pro	• Touch Control • 4 Zones / 1 Combi zone	• Twist Touch® Control • 2 x Combi Zones • Extended Frying Sensor Pro • Stainless Steel Side Trims	• Touch Control • 4 Zones / 1 Combi zone
•	•	•	•
Auto-On	Auto-On	Auto-On	Auto-On
•	•	•	•
11 settings / • /	/ • /	11 settings / • /	/ • /
•	•	•	•
2: Left & Right	•	2: Left & Right	•
•	•	•	•
4	4	4	4
17	17	17	17
• / •	• / •	• / •	• / •
/ •	/ •	/ •	/ •
• / • / • /	• / • / • / •	• / • / • /	• / • / • / •
•	•	•	•
• /	• /	• / •	• /
Via HC	Via HC	Via HC	Via HC
Via HC / Favourite Button	Via HC / Favourite Button	Via HC / Favourite Button	Via HC / Favourite Button
• /	• / •	• /	• / •
• / •	• / •	• / •	• / •
•	•	•	•
9 + 2 Intensive 6 minutes	3 + 1 Intensive 6 minutes	9 + 2 Intensive 6 minutes	3 + 1 Intensive 6 minutes
• / •	• / •	• / •	• / •
30 minutes	12 / 30 minutes	30 minutes	12 / 30 minutes
Yes - 200ml capacity	Yes - 200ml capacity	Yes - 200ml capacity	Yes - 200ml capacity
700ml capacity	700ml capacity	700ml capacity	700ml capacity
• / • / •	• / • / •	• / • / •	• / • / •
220-240 / 7,400 110		220-240 / 7,400 110	
2.50   190x210	2.20   180   190x210	2.50   190x210	2.20   190x210
2.50   190x210	1.80   180	2.50   190x210	1.40   145
2.50   190x210	2.20   190x210	2.50   190x210	2.20   190x210
2.50   190x210	2.20   210	2.50   190x210	2.20   210
3.60   380x210	3.60   380x210	3.60   380x210	3.60   380x210
3.60   380x210	3.60   380x210	3.60   380x210	3.60   380x210
3.70 / 3.70	3.70 / 3.10	3.70 / 3.70	3.70 / 2.20
3.70 / 3.70	3.70 / 3.70	3.70 / 3.70	3.70 / 3.70
<b>154 / 117</b>		<b>330 / 252</b>	
<b>500 / 487</b>		<b>500 / 441</b>	
<b>622 / 595</b>		<b>622 / 595</b>	
<b>42 / 41</b>		<b>61 / 55</b>	
<b>69 / 68</b>		<b>69 / 66</b>	
<b>74 / 72</b>		<b>74 / 72</b>	
170		170	

<sup>1</sup> Air flow and noise declarations made in line with CECEC Code Of Conduct. <sup>2</sup> Measured according to EN61591 on largest pipe diameter. <sup>3</sup> Sound power measured according to EN60704-3 on largest pipe diameter.

# Wall Mounted Ventilation Solutions

Hoods installed on the wall can be used to create a design feature in themselves, adding a focal point to your kitchen while offering powerful extraction for all types of cooking.

## Angled Glass

- Inclined front with dimmable LED mood lighting.
- Fully automatic air sensor.
- Whisper quiet ventilation.
- Chimless or Chimney options.



## Pyramid Chimney

- Traditional styled.
- Broad variety of sizes & specifications.
- Quiet operation.



## Box Chimney

- Classic box design.
- Highly Efficient.
- Quiet operation.
- LED low energy lighting.




## Slim Pyramid Chimney

- Flatter profile.
- Broad variety of sizes & specifications.
- Quiet operation.



# Wall Installation Hoods

	90CM	80CM
	D98IPT2S0B   N90	D88IAN2S0B   N70
	<ul style="list-style-type: none"> <li>Hob-Hood Control</li> <li>ClimateControl Sensor</li> <li>Efficient Drive Motor</li> <li>Home Connect</li> <li>Adjustable Lighting</li> </ul> 	<ul style="list-style-type: none"> <li>Hob-Hood Control</li> <li>Smart Hood Automatic</li> <li>Efficient Drive Motor</li> <li>Home Connect</li> <li>Adjustable Lighting</li> </ul> 
<b>SPECIAL FEATURES</b>		
Home Connect	•	•
Adjustable LED White Colour Temperature	•	•
Ambient Light		
Climate Control Sensor	•	
Smart Hood Automatic		•
Hob-hood control	•	•
Efficient Drive	•	•
Intensive setting / Automatic intensive revert <sup>1</sup>	•/•	•/•
Boost Position (Angled & Flat Hoods)	•	•
Filter Saturation Indicator	•	via HomeConnect
<b>FEATURES</b>		
Suitable for ducted operation / recirculating <sup>2</sup>	•/•	•/•
Electronic power level display	•	•
Power levels	3 + 2 Intensive	3 + 1 Intensive
Automatic after running minutes	10	10
Lighting	2 x LED lights	2 x LED lights
Type of control	Touch Control	Touch Control
<b>PERFORMANCE / TECHNICAL INFORMATION</b>		
Energy Rating	A+	A+
Appliance width mm	890	790
<b>Extraction Rate in m<sup>3</sup>/h <sup>3,4</sup></b>		
Power level 3 - ducted / recirculating	441 / 435	432 / 433
Intensive level 1 - ducted / recirculating	753 / 752	915 / 896
Intensive level 2 - ducted / recirculating	1007 / 964	
<b>Noise level (sound power) based on dB(A) re 1 pW <sup>3,5</sup></b>		
Power level 3 - ducted / recirculating	51 / 59	51 / 59
Intensive level 1 - ducted / recirculating	65 / 72	68 / 76
Intensive level 2 - ducted / recirculating	70 / 78	
Pipe outlet diameter mm	150	150
Minimum distance above an electric hob / gas hob6 mm	450 / 650	450 / 650
GB plug	•	•

	80CM		60CM	
	D85IFN1S0B   N50	D83IDK1S0B   N30	D65IFN1S0B   N50	D63IDK1S0B   N30
	<ul style="list-style-type: none"> <li>Hob-Hood Control</li> <li>Smart Hood Automatic</li> <li>Efficient Drive Motor</li> <li>Home Connect</li> <li>Adjustable Lighting</li> </ul> 		<ul style="list-style-type: none"> <li>Hob-Hood Control</li> <li>Smart Hood Automatic</li> <li>Efficient Drive Motor</li> <li>Home Connect</li> <li>Adjustable Lighting</li> </ul> 	
	•		•	
	•		•	
	•		•	
	•		•	
	•/•	•/•	•/•	•/•
	•	•	•	•
	via HomeConnect		via HomeConnect	
	•/•	•/•	•/•	•/•
	•	•	•	•
	3 + 1 Intensive	3 + 1 Intensive	3 + 1 Intensive	3 + 1 Intensive
	10	10	10	10
	2 x LED lights	2 x LED lights	2 x LED lights	2 x LED lights
	Touch Control	Touch Control	Touch Control	Touch Control
	A+	A	A+	A
	790	790	590	590
	431 / 429	430 / 445	431 / 429	430 / 445
	768 / 724	550 / 550	768 / 724	550 / 550
	56 / 62	60 / 69	56 / 62	60 / 69
	68 / 74	65 / 72	68 / 74	65 / 72
	150	150	150	150
	450 / 650	450 / 650	450 / 650	450 / 650
	•	•	•	•

THE NEFF OVEN COLLECTIONS

HOBS

VENTILATION

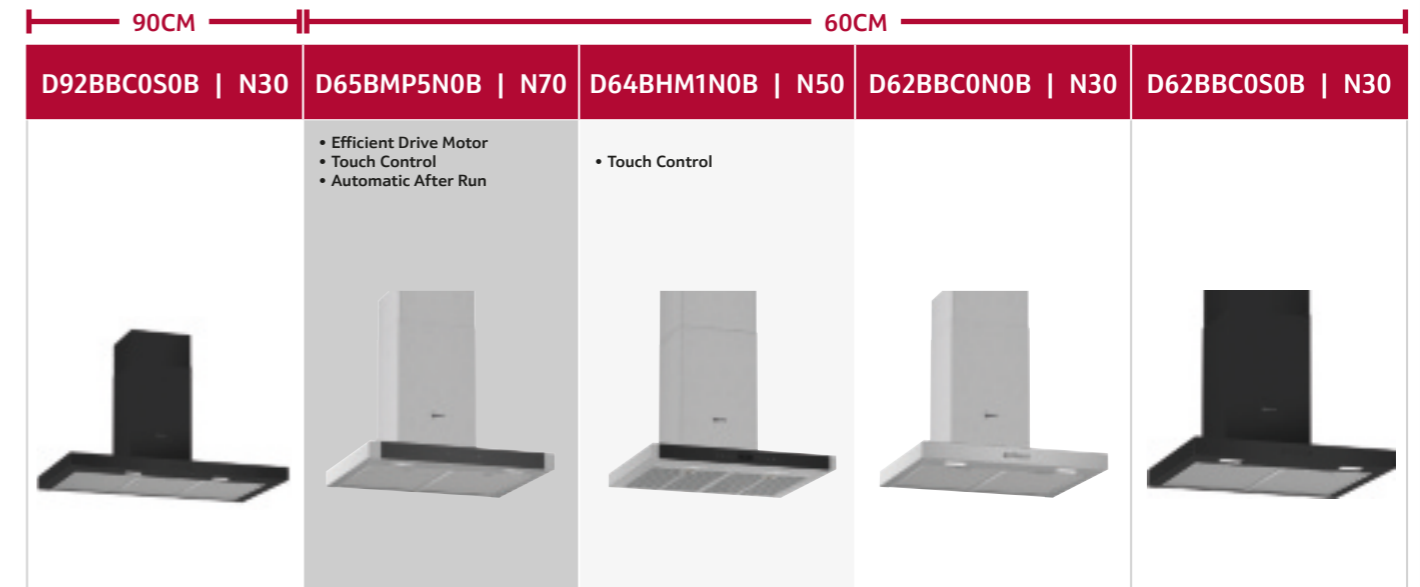
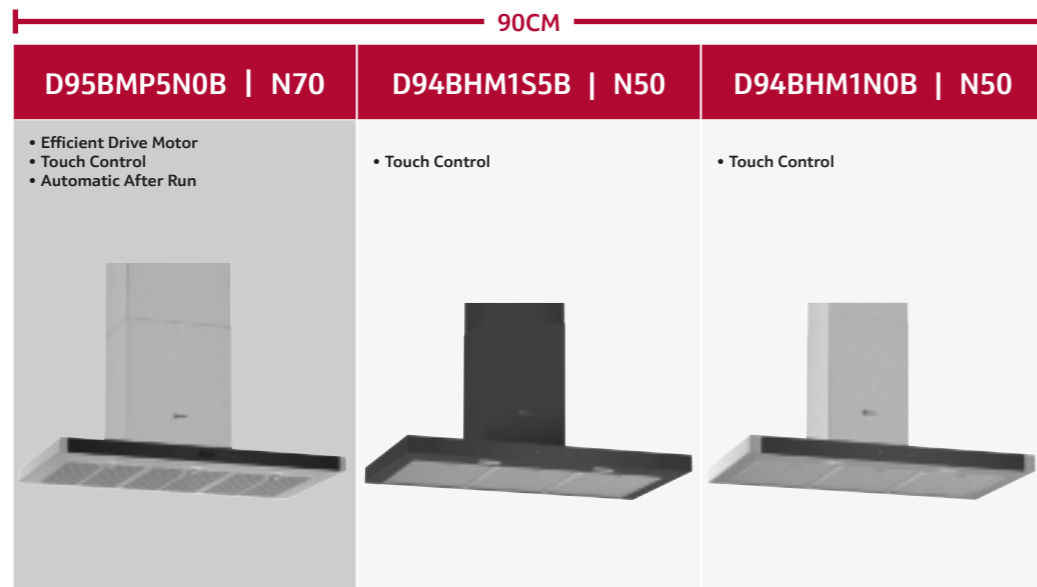
REFRIGERATION

DISHWASHING

LAUNDRY

<sup>1</sup>Power automatically reverts back to normal setting after intensive. <sup>2</sup>A type of recirculating kit is required if recirculating. <sup>3</sup>Air Flow and noise declarations made in line with CECEC Code of Conduct. <sup>4</sup>Measured according to EN61591 on largest pipe diameter. <sup>5</sup>Sound power measured according to EN60704-3 on largest pipe diameter. <sup>6</sup>From top of pan supports. Depending on the model, a 'Recirculating odour filter kit' will consist of the following items: Charcoal filter, flexible hose, air duct, fixing components, installation instructions.

# Box Chimney Hoods



	D95BMP5N0B   N70	D94BHM1S5B   N50	D94BHM1N0B   N50
<b>SPECIAL FEATURES</b>	<ul style="list-style-type: none"> <li>• Efficient Drive Motor</li> <li>• Touch Control</li> <li>• Automatic After Run</li> </ul>	<ul style="list-style-type: none"> <li>• Touch Control</li> </ul>	<ul style="list-style-type: none"> <li>• Touch Control</li> </ul>
Efficient Drive	•		
Intensive setting / Automatic intensive revert <sup>1</sup>	•/•	•/•	•/•
NEFF Silence function	•		
Filter saturation indicator	•		
<b>FEATURES</b>			
Suitable for ducted operation/recirculating <sup>2</sup>	•/•	•/•	•/•
Electronic power level display	•		
Power levels	3 + 2 Intensive	3 + 2 Intensive	3 + 1 Intensive
NEFF Fresh Air (Interval operation)	•		
Automatic after running minutes	10		
Lighting	3 x LED lights	3 x LED lights	2 x LED lights
Softlight with dimmer function	•		
Type of control	Touch Control	Touch Control	Touch Control
<b>PERFORMANCE / TECHNICAL INFORMATION</b>			
Energy Rating	A	B	B
Appliance width mm	898	900	900
<b>Extraction Rate in m<sup>3</sup>/h<sup>3,4</sup></b>			
Power level 3 ducted / recirculating	427/324	372 / 290	372 / 290
Intensive level 1 ducted / recirculating	525/352	604 / 360	604 / 360
Intensive level 2 ducted / recirculating	702/378		
<b>Noise level (sound power) based on dB(A) re 1 pW<sup>5,5</sup></b>			
Power level 3 ducted / recirculating	55/70	60 / 71	60 / 71
Intensive level 1 ducted / recirculating	60/72	70 / 75	70 / 75
Intensive level 2 ducted / recirculating	66/73		
Pipe outlet diameter mm	150/120	150/120	150 / 120
Minimum distance above an electric hob / gas hob <sup>6</sup> mm	550 / 650	550 / 650	550 / 650
GB plug	•	•	•

	D92BBC0S0B   N30	D65BMP5N0B   N70	D64BHM1N0B   N50	D62BBC0N0B   N30	D62BBC0S0B   N30
<b>SPECIAL FEATURES</b>		<ul style="list-style-type: none"> <li>• Efficient Drive Motor</li> <li>• Touch Control</li> <li>• Automatic After Run</li> </ul>	<ul style="list-style-type: none"> <li>• Touch Control</li> </ul>		
Efficient Drive		•			
Intensive setting / Automatic intensive revert <sup>1</sup>		•/•	•/•		
NEFF Silence function		•			
Filter saturation indicator		•			
<b>FEATURES</b>					
Suitable for ducted operation/recirculating <sup>2</sup>	•/•	•/•	•/•	•/•	•/•
Electronic power level display		•			
Power levels	3	3 + 2 Intensive	3 + 1 Intensive	3	3
NEFF Fresh Air (Interval operation)		•			
Automatic after running minutes		10			
Lighting	2 x LED lights	2 x LED lights	2 x LED lights	2 x LED lights	2 x LED lights
Softlight with dimmer function		•			
Type of control	Push Buttons	Touch Control	Touch Control	Push Buttons	Push Buttons
<b>PERFORMANCE / TECHNICAL INFORMATION</b>					
Energy Rating	D	A	B	D	D
Appliance width mm	900	598	600	600	600
<b>Extraction Rate in m<sup>3</sup>/h<sup>3,4</sup></b>					
Power level 3 ducted / recirculating	365 / 240	413 / 281	368 / 281	365 / 197	365 / 197
Intensive level 1 ducted / recirculating		503 / 299	605 / 348		
Intensive level 2 ducted / recirculating		657 / 322			
<b>Noise level (sound power) based on dB(A) re 1 pW<sup>5,5</sup></b>					
Power level 3 ducted / recirculating	64 / 65	61 / 72	60 / 71	63 / 66	63 / 66
Intensive level 1 ducted / recirculating		66 / 74	69 / 75		
Intensive level 2 ducted / recirculating		71 / 75			
Pipe outlet diameter mm	150 / 120	150 / 120	150 / 120	150 / 120	150 / 120
Minimum distance above an electric hob / gas hob <sup>6</sup> mm	550 / 650	550 / 650	550 / 650	550 / 650	550 / 650
GB plug	•	•	•	•	•

<sup>1</sup>Power automatically reverts back to normal setting after intensive. <sup>2</sup>A type of recirculating kit is required if recirculating. <sup>3</sup>Air Flow and noise declarations made in line with CECEC Code of Conduct. <sup>4</sup>Measured according to EN61591 on largest pipe diameter. <sup>5</sup>Sound power measured according to EN60704-3 on largest pipe diameter. <sup>6</sup>From top of pan supports. Depending on the model, a 'Recirculating odour filter kit' will consist of the following items: Charcoal filter, flexible hose, air duct, fixing components, installation instructions.

## Slim Pyramid Chimney Hoods



SPECIAL FEATURES		
Intensive setting / Automatic intensive revert <sup>1</sup>	● / ●	● / ●
FEATURES		
Suitable for ducted operation/recirculating <sup>2</sup>	● / ●	● / ●
Power levels	3 + 1 Intensive	3 + 1 Intensive
Lighting	2 x LED lights	2 x LED lights
Type of control	Touch Control	Touch Control
PERFORMANCE / TECHNICAL INFORMATION		
Energy Rating	A	A
Appliance width mm	900	600
Extraction Rate in m <sup>3</sup> /h <sup>3,4</sup>		
Power level 3 ducted / recirculating	389 / 308	410 / 312
Intensive level 1 ducted / recirculating	642 / 372	644 / 372
Intensive level 2 ducted / recirculating		
Noise level (sound power) based on dB(A) re 1 pW <sup>3,5</sup>		
Power level 3 ducted / recirculating	61 / 71	62 / 72
Intensive level 1 ducted / recirculating	70 / 75	70 / 75
Intensive level 2 ducted / recirculating	150 / 120	150 / 120
Pipe outlet diameter mm	550 / 650	550 / 650
Minimum distance above an electric hob / gas hob <sup>6</sup> mm	550 / 650	550 / 650
GB plug	●	●

## Pyramid Chimney Hoods



FEATURES			
Suitable for ducted operation/recirculating	● / ●	● / ●	● / ●
Electronic power level display			
Power levels	3	3	3
NEFF Fresh Air (Interval operation)			
Automatic after running minutes			
Lighting	2 x LED lights	2 x LED lights	2 x LED lights
Softlight with dimmer function			
Number of metal grease filter cassettes	2	2	2
Type of control	Push Buttons	Push Buttons	Push Buttons
PERFORMANCE / TECHNICAL INFORMATION			
Energy Rating	D	D	D
Appliance width mm	900	750	600
Extraction Rate in m <sup>3</sup> /h <sup>3,4</sup>			
Power level 1 ducted / recirculating	198 / 129	198 / 129	198 / 127
Power level 2 ducted / recirculating	263 / 174	263 / 174	263 / 171
Power level 3 ducted / recirculating	365 / 213	365 / 213	365 / 211
Noise level (sound power) based on dB(A) re 1 pW <sup>3,5</sup>			
Power level 1 ducted / recirculating	50 / 56	50 / 56	50 / 55
Power level 2 ducted / recirculating	57 / 62	57 / 62	58 / 62
Power level 3 ducted / recirculating	65 / 67	65 / 67	66 / 67
Pipe outlet diameter mm	150/120	150/120	150/120
Minimum distance above an electric hob / gas hob <sup>6</sup> mm	550 / 650	550 / 650	550 / 650
GB plug	●	●	●

<sup>1</sup>Power automatically reverts back to normal setting after intensive. <sup>2</sup>A type of recirculating kit is required if recirculating. <sup>3</sup>Air Flow and noise declarations made in line with CECEC Code of Conduct. <sup>4</sup>Measured according to EN61591 on largest pipe diameter. <sup>5</sup>Sound power measured according to EN60704-3 on largest pipe diameter. <sup>6</sup>From top of pan supports. Depending on the model, a 'Recirculating odour filter kit' will consist of the following items: Charcoal filter, flexible hose, air duct, fixing components, installation instructions.

# Integrated Furniture Ventilation Solutions

## A great fit

When cooking up a meal for friends and family the last thing you want is the noise of a hood in the background. Our integrated furniture hoods are built to operate on low noise levels while maintaining high air quality in your kitchen. Choose between telescopic and integrated hoods to find the hood that fits your kitchen, and cooking style, best.



## Integrated Design Hood – Invisible design for that seamless finish

- Designed to fit neatly under an overhead unit.
- Integrated Hoods are discreet and save valuable kitchen space.
- Extra Storage Space – The hood's T-shaped design creates extra space for many large and handy items up to 10kg on each side.
- Reduced Noise: the low-noise motor makes it possible to listen to your own kitchen story.
- Your kitchen deserves the best in lighting design. Our hoods with LED Lighting not only look good, they help you focus, whatever you're cooking.



## Telescopic Hood

- For a smaller kitchen where space is at a premium, these clever hoods pull out from underneath a cabinet when required.



## Integrated Hood

- These hoods look like they're part of the furniture.
- Hidden behind a unit door, they simply pull out when needed.


## Telescopic Hoods

	90CM	60CM	
	D49ED22N1B   N50	D46ED22N1B   N50	D46BR22N1B   N30
	<ul style="list-style-type: none"> <li>• Efficient Drive Motor</li> <li>• Automatic After Run</li> </ul>	<ul style="list-style-type: none"> <li>• Efficient Drive Motor</li> <li>• Automatic After Run</li> </ul>	

SPECIAL FEATURES			
Intensive setting / Automatic intensive revert <sup>1</sup>	● / ●	● / ●	
Efficient Drive	●	●	
FEATURES			
Suitable for ducted operation / recirculating <sup>2</sup>	● / ●	● / ●	● / ●
Furniture door required	●	●	●
Automatic after running minutes	10	10	
Lighting	3 x LED lights	2 x LED lights	2 x LED lights
Controls	Soft touch	Soft touch	Rocker switch
Power levels	3 + 1 Intensive	3 + 1 Intensive	3
PERFORMANCE / TECHNICAL INFORMATION			
Energy	A	A	B
Appliance width mm	898	598	598
<b>Extraction Rate in m<sup>3</sup>/h <sup>3,4</sup></b>			
Ducted power level 3 / recirculating power level 3	266 / 166	271 / 174	387 / 195
Intensive level 1 - ducted / recirculating	412 / 178	405 / 189	
<b>Noise level (sound power) based on dB(A) re 1 pW <sup>3,5</sup></b>			
Ducted power level 3 / recirculating power level 3	63 / 70	62 / 70	67 / 74
Intensive level 1 - ducted / recirculating	70 / 71	69 / 72	
Pipe outlet diameter mm	150/120	150/120	150/120
Minimum distance above an electric hob / gas hob <sup>6</sup> mm	430 / 650	430 / 650	430 / 650
GB plug	●	●	●

<sup>1</sup>Power automatically reverts back to normal setting after intensive. <sup>2</sup>A type of recirculating kit is required if recirculating. <sup>3</sup>Air Flow and noise declarations made in line with CECEC Code of Conduct. <sup>4</sup>Measured according to EN61591 on largest pipe diameter. <sup>5</sup>Sound power measured according to EN60704-3 on largest pipe diameter. <sup>6</sup>From top of pan supports. Depending on the model, a 'Recirculating odour filter kit' will consist of the following items: Charcoal filter, flexible hose, air duct, fixing components, installation instructions.

# Canopy Hoods

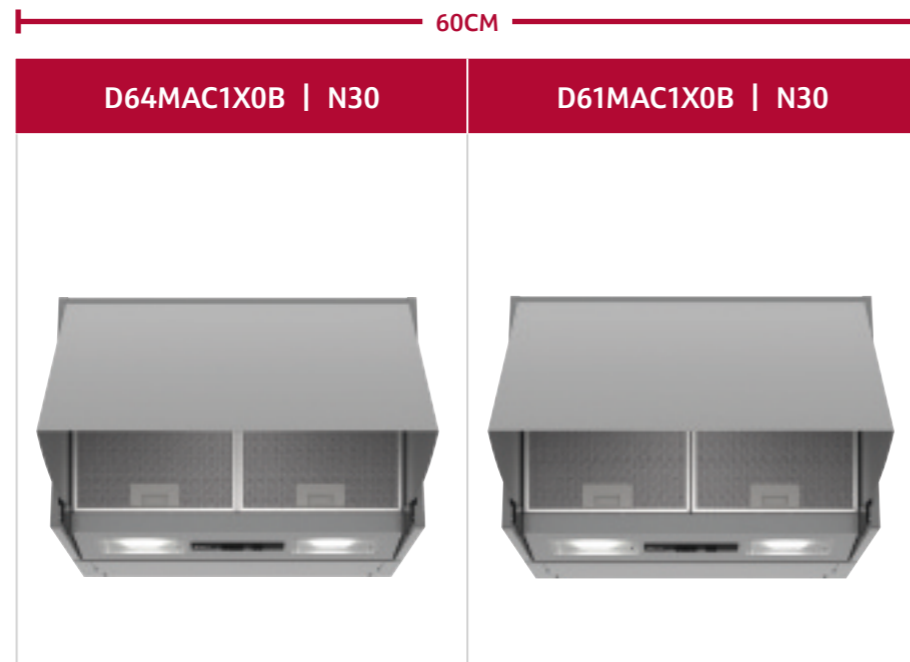
	70CM		
	D57ML67N1B   N90	D57MH56N0B   N50	D5855X1GB   N30
	• Automatic After Run		
			
SPECIAL FEATURES			
Intensive setting / Automatic intensive revert <sup>1</sup>	● / ●	● / ●	● /
Filter saturation indicator	●		
FEATURES			
Suitable for ducted operation / recirculating <sup>2</sup>	● / ●	● / ●	● / ●
Automatic after running minutes	30		
Lighting	2 x LED lights	2 x LED lights	2 x LED lights
Softlight with dimmer function	●		
Controls	Soft Touch	Soft Touch	Slider switch
Power levels	3 + 1 Intensive	3 + 1 Intensive	3 + 1 Intensive
PERFORMANCE / TECHNICAL INFORMATION			
Energy	A++	C	C
Appliance width mm	700	700	730
<b>Extraction Rate in m<sup>3</sup>/h <sup>3,4</sup></b>			
Ducted power level 3 / recirculating power level 3	575 / 533	630 / 300	379 / 278
Ducted intensive / recirculating intensive	775 / 722	730 / 310	638 / 408
<b>Noise level (sound power) based on dB(A) re 1 pW <sup>3,5</sup></b>			
Ducted power level 3 / recirculating power level 3	64 / 71	66 / 73	56 / 65
Ducted intensive / recirculating intensive	70 / 77	69 / 74	68 / 72
Pipe outlet diameter mm	150/120	150/120	150/120
Minimum distance above an electric hob / gas hob <sup>6</sup> mm	550 / 650	550 / 650	550 / 650
GB plug	●	●	●

	50CM		
	D55MH56N0B   N50	D5655X1GB   N30	D51NAA1C0B   N30
			
SPECIAL FEATURES			
Intensive setting / Automatic intensive revert <sup>1</sup>	● / ●	● /	
Filter saturation indicator			
FEATURES			
Suitable for ducted operation / recirculating <sup>2</sup>	● / ●	● / ●	● / ●
Automatic after running minutes			
Lighting	2 x LED lights	2 x LED lights	2 x LED lights
Softlight with dimmer function			
Controls	Soft Touch	Slider switch	Slider switch
Power levels	3 + 1 Intensive	3 + 1 Intensive	3
PERFORMANCE / TECHNICAL INFORMATION			
Energy	C	C	D
Appliance width mm	520	530	530
<b>Extraction Rate in m<sup>3</sup>/h <sup>3,4</sup></b>			
Ducted power level 3 / recirculating power level 3	575 / 280	362 / 268	302 / 300
Ducted intensive / recirculating intensive	650 / 290	618 / 395	
<b>Noise level (sound power) based on dB(A) re 1 pW <sup>3,5</sup></b>			
Ducted power level 3 / recirculating power level 3	67 / 73	56 / 64	62 / 65
Ducted intensive / recirculating intensive	70 / 74	68 / 72	
Pipe outlet diameter mm	150/120	150/120	120
Minimum distance above an electric hob / gas hob <sup>6</sup> mm	550 / 650	550 / 650	550 / 650
GB plug	●	●	●

<sup>1</sup>Power automatically reverts back to normal setting after intensive. <sup>2</sup>A type of recirculating kit is required if recirculating. <sup>3</sup>Air Flow and noise declarations made in line with CECEC Code of Conduct. <sup>4</sup>Measured according to EN61591 on largest pipe diameter. <sup>5</sup>Sound power measured according to EN60704-3 on largest pipe diameter. <sup>6</sup>From top of pan supports. Depending on the model, a 'Recirculating odour filter kit' will consist of the following items: Charcoal filter, flexible hose, air duct, fixing components, installation instructions.



# Integrated Hoods



FEATURES		
Suitable for ducted operation / recirculating <sup>2</sup>	● / ●	● / ●
Furniture door required	●	●
Lighting	2 x LED lights	2 x LED lights
Controls	Push buttons	Push buttons
Power levels	3	3
Number of metal grease filter cassettes	2	2
PERFORMANCE / TECHNICAL INFORMATION		
Energy	B	D
Appliance width mm	599	599
<b>Extraction Rate in m<sup>3</sup>/h <sup>3,4</sup></b>		
Ducted power level 1 / recirculating power level 1	256 / 208	240 / 224
Ducted power level 2 / recirculating power level 2	352 / 320	288 / 256
Ducted power level 3 / recirculating power level 3	625 / 416	368 / 272
<b>Noise level (sound power) based on dB(A) re 1 pW <sup>3,5</sup></b>		
Ducted power level 1 / recirculating power level 1	49 / 57	52 / 64
Ducted power level 2 / recirculating power level 2	56 / 68	56 / 67
Ducted power level 3 / recirculating power level 3	70 / 75	62 / 68
Pipe outlet diameter mm	150 / 120	150 / 120
Minimum distance above an electric hob / gas hob <sup>6</sup> mm	500 / 650	500 / 650
GB plug	●	●

# Integrated Design Hoods



SPECIAL FEATURES		
Storage Space	10kg each side	10kg each side
Intensive setting / Automatic intensive revert <sup>1</sup>	● / ●	● / ●
FEATURES		
Suitable for ducted operation / recirculating	● / ●	● / ●
Power levels	3 + 1 Intensive	3 + 1 Intensive
Lighting	2 x LED lights	2 x LED lights
Type of control	Touch Control	Touch Control
PERFORMANCE / TECHNICAL INFORMATION		
Energy	B	B
Appliance width mm	897	597
<b>Extraction Rate in m<sup>3</sup>/h <sup>3,4</sup></b>		
Power level 3 - ducted / recirculating	460 / 451	460 / 451
Intensive level 1 - ducted / recirculating	749 / 652	749 / 652
<b>Noise level (sound power) based on dB(A) re 1 pW <sup>3,5</sup></b>		
Power level 3 - ducted / recirculating	63 / 67	63 / 67
Intensive level 1 - ducted / recirculating	73 / 74	73 / 74
Pipe outlet diameter mm	150 / 120	150 / 120
Minimum distance above an electric hob / gas hob <sup>6</sup> mm	430 / 650	430 / 650
GB plug	●	●

<sup>1</sup>Power automatically reverts back to normal setting after intensive. <sup>2</sup>A type of recirculating kit is required if recirculating. <sup>3</sup>Air Flow and noise declarations made in line with CECEC Code of Conduct. <sup>4</sup>Measured according to EN61591 on largest pipe diameter. <sup>5</sup>Sound power measured according to EN60704-3 on largest pipe diameter. <sup>6</sup>From top of pan supports. Depending on the model, a 'Recirculating odour filter kit' will consist of the following items: Charcoal filter, flexible hose, air duct, fixing components, installation instructions.

## Island Hood Ranges

CEILING HOODS						
Width	Series	Description	Hob Hood Control /Remote Control	Home Connect	Colour	Model Number
90cm	N50	90 x 50cm, LED lights.	● / ●	✓	Stainless steel	I95CAQ6N0B
WORKTOP INSTALLATION						
90cm	N90	New Guided Air, Climate Control Sensor, touch control, remote mountable motor up to 3m, with Ambient Light.	● /	✓	Black with clear glass	I98WMM1S7B
80cm	N90	New Guided Air, Climate Control Sensor, touch control, remote mountable motor up to 3m, with Ambient Light.	● /	✓	Black with clear glass	I88WMM1S7B

## Wall Mounted Hood Ranges

ANGLED GLASS CHIMNEY HOODS						
Width	Series	Description	Hob Hood Control /Remote Control	Home Connect	Colour	Model Number
90cm	N90	Touch Control with illuminated sensors, Ambient light, Climate Control Sensor, LED Lights.	● / ●	✓	Black Glass & Stainless steel chimney	D98IPT2S0B
90cm	N50	Touch Control, LED Lights.	● / ●	✓	Black Glass & Stainless steel chimney	D88IAN2S0B
80cm	N30	Single Pane Angled Glass Chimney Hood, SoftTouch Control, LED Lights.	● / ●	✓	Black Glass & Stainless steel control	D85IEE1S0B
80cm	N30	Angled Chimney Hood, Touch Control, LED Lights.	● / ●	✓	Black Glass & Stainless steel control	D83IDK1S0B
60cm	N50	Touch Control, LED Lights.	● / ●	✓	Black Glass & Black Chimney	D65IFN1S0B
60cm	N30	60cm, Angled Chimney Hood, Touch Control, LED Lights.	● / ●	✓	Black Glass & Stainless steel control	D63IDK1S0B
BOX CHIMNEY HOODS						
90cm	N70	Inlay Box Design, Touch Control, 3 speed + 2 intensive, LED lights.			Stainless steel	D95BMP5N0B
90cm	N50	Inlay Box Design, 3 speed + intensive, electronic, Touch Control, LED lights.			Black Glass	D94BHM1S5B*
90cm	N50	Inlay Box Design, 3 speed + intensive, electronic, Touch Control, LED lights.			Stainless steel	D94BHM1N0B
90cm	N30	Box Design, 3 speed, push buttons, LED lights.			Black Glass	D92BBC0S0B*
60cm	N70	Inlay Box Design, Touch Control, 3 speed + 2 intensive, LED lights.			Stainless steel	D65BMP5N0B
60cm	N50	Inlay Box Design, 3 speed + intensive, electronic, Touch Control, LED lights.			Stainless steel	D64BHM1N0B
60cm	N30	Box Design, 3 speed, push buttons, LED lights.			Stainless steel	D62BBC0N0B
60cm	N30	Box Design, 3 speed, push buttons, LED lights.			Black Glass	D62BBC0S0B*
PYRAMID CHIMNEY HOODS						
90cm	N30	3 speed, LED lights.			Stainless steel	D92PBC0N0B
75cm	N30	3 speed, LED lights.			Stainless steel	D72PBC0N0B
60cm	N30	3 speed, LED lights.			Stainless steel	D62PBC0N0B
SLIM PYRAMID CHIMNEY HOODS						
90cm	N50	3 speed + intensive, electronic, Touch Control, LED lights.			Stainless steel	D94QFM1N0B
60cm	N50	3 speed + intensive, electronic, Touch Control, LED lights.			Stainless steel	D64QFM1N0B

\*Check online for further details.

## Integrated Hood Ranges

TELESCOPIC HOODS						
Width	Series	Description	Hob Hood Control /Remote Control	Home Connect	Colour	Model Number
90cm	N50	3 speed + 1 Intensive, Easy Electronic Controls, LED lights.			Stainless Steel	D49ED22N1B
60cm	N50	3 speed + 1 Intensive, Easy Electronic Controls, LED lights.			Stainless Steel	D46ED22N1B
60cm	N30	3 speed, Rocker Switch Controls, LED lights.			Metallic silver	D46BR22N1B
CANOPY HOODS						
73cm	N30	3 speeds + intensive, LED lights.			Metallic silver	D5855X1GB
70cm	N90	Rim Ventilation Design, 3 speed + intensive, electronic, LED lights.			Stainless steel & black glass	D57ML67N1B
70cm	N50	Rim Ventilation Design, 3 speed + intensive, electronic, LED lights.			Stainless steel	D57MH56N0B
53cm	N30	3 speeds + intensive, LED lights.			Metallic silver	D5655X1GB
53cm	N30	3 speed, LED lights, Quick fix system, Slider switch.			Metallic silver	D51NAA1C0B
52cm	N50	Rim Ventilation Design, 3 speed + intensive, electronic, LED lights.			Stainless steel	D55MH56N0B
INTEGRATED HOODS						
60cm	N30	3 speed, push buttons, LED lights, high extraction rate.			Metallic silver	D64MAC1X0B
60cm	N30	3 speed, push buttons, LED lights.			Metallic silver	D61MAC1X0B
INTEGRATED DESIGN HOODS						
90cm	N70	Flush Integrated design with fold out glass panel. LED lighting - automatic on opening glass, 3 Speed + 1 Intensive, Touch Control.			Black body & fold out glass panel	D95XAM2S0B
60cm	N70	Flush Integrated design with fold out glass panel. LED lighting - automatic on opening glass, 3 Speed + 1 Intensive, Touch Control.			Black body & fold out glass panel	D65XAM2S0B

# Hood Accessories

Type	VIB DETAILS	PRE-SALE ACCESSORIES				POST-SALES ACCESSORIES					
	VIB	Standard Recirculation Kit	CleanAir Standard Recirculation Kit	CleanAir Plus Recirculation Kit	CleanAir Plus Recirculation Kit (for chimless installation)	Long-Life Regenerative Recirculation Kit	Long-Life Regenerative Recirculation Kit (for chimless installation)	Standard Odour Filter Replacement	CleanAir Standard Filter Replacement	CleanAir Plus Filter Replacement	Long-Life Filter Replacement
Glass Draft	I88WMM1S7B			Z92WW1X6		Z92WWJ11				Z50XXP0X0	
	I98WMM1S7B			Z92WW1X7		Z92WWJ12					
Ceiling	I95CAQ6N0B			Z52JCC1N6		Z52JCD0N0				Z53XXB1X6	
Angled Glass Wall Hoods	D63IDK1S0B	Z51GIU1X3						Z51GIA1X3			
	D83IDK1S0B										
	D65IFN1S0B			Z51KII1X6	Z51KIV1X6					Z51KIB1X6	
	D85IFN1S0B										
	D88IAN2S0B			Z51BII1X6	Z51BIV1X6		Z51BIS1X1	Z51BIR1X1		Z51BIB1X6	Z51BIP1X1
	D98IPT2S0B										
Box Chimney	D62BBC0S0B										
	D92BBC0S0B										
	D94BHM1S5B		Z51DXI1X4	Z51DXI1X6					Z51DXB1X4	Z53XXB1X6	Z50XXP0X0
	D62BBC0N0B					Z51FXJ0X0					
	D64BHM1N0B										
	D94BHM1N0B										
	D65BMP5N0B		Z51CBI1X4	Z51CXI1X6			Z51FXJ0X5		Z53CXB1X4		
D95BMP5N0B		Z51CBI2X4				Z51FXJ0X5		Z53CBB2X4			
Slim Pyramid	D64QFM1N0B		Z51DXI1X4	Z51DXI1X6		Z51FXJ0X0			Z51DXB1X4	Z53XXB1X6	Z50XXP0X0
	D94QFM1N0B										
Pyramid	D62PBC0N0B	Z5138X5									
	D72PBC0N0B							Z5138X1			
	D92PBC0N0B										
Integrated Design	D65XAM2S0B		Z51IBI6X4	Z51IXC1X6		Z51ITD1X1			Z51IBB6X4	Z51IXB1X6	Z51ITP0X0
	D95XAM2S0B										
Telescopic	D46BR22N1B		Z51IT11X4						Z51ITB1X4		
	D46ED22N1B										
	D49ED22N1B										
Canopy	D51NAA1C0B	Z51INT0X0						Z51INA0X0			
	D55MH56N0B	Z5135X3		Z51IXC1X6						Z51IXB1X6	Z51ITP0X0
	D57MH56N0B						Z51ITD1X1	Z5135X1			
	D57ML67N1B										
	D5655X1GB	Z5155X0							Z5155X0		
D5855X1GB											
Integrated Hoods	D61MAC1X0B	Z51IMA0X0									
	D64MAC1X0B							Z51IMA0X0			

THE NEFF OVEN COLLECTIONS

HOBS

VENTILATION

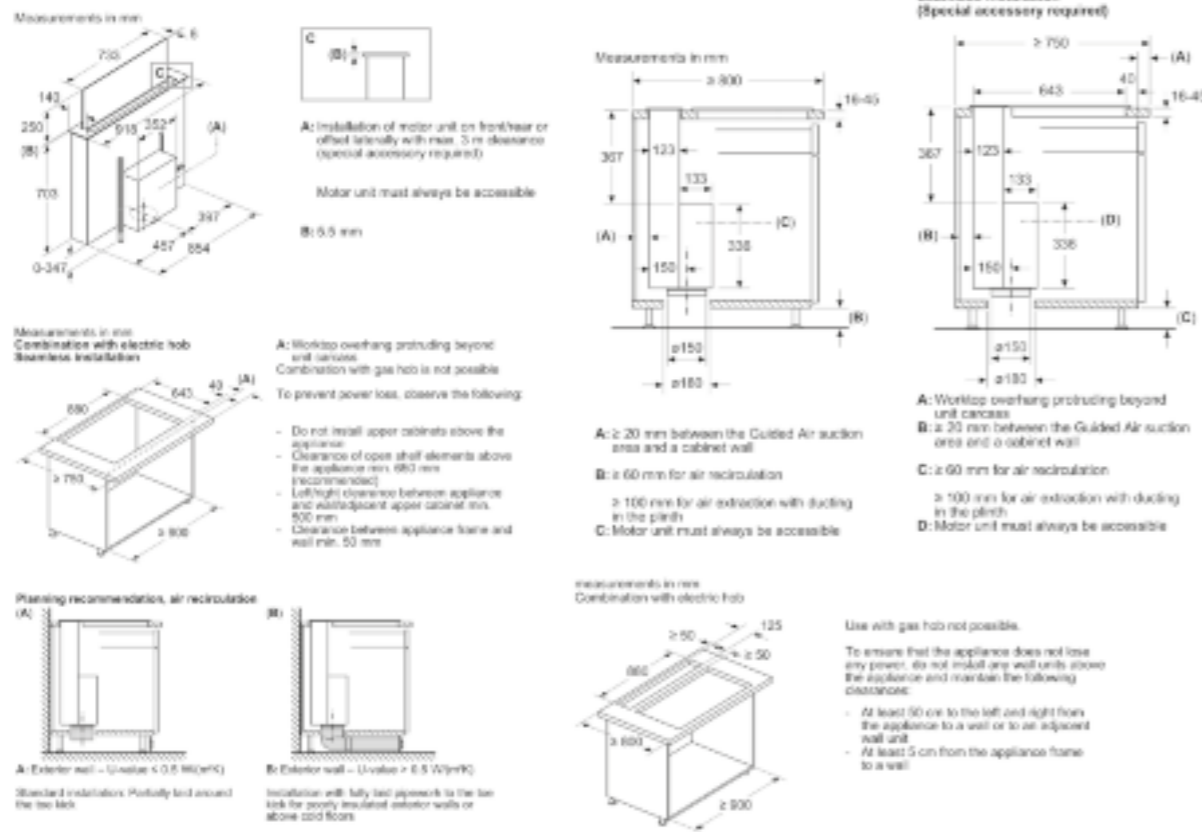
REFRIGERATION

DISHWASHING

LAUNDRY

# Worktop Installation Hoods

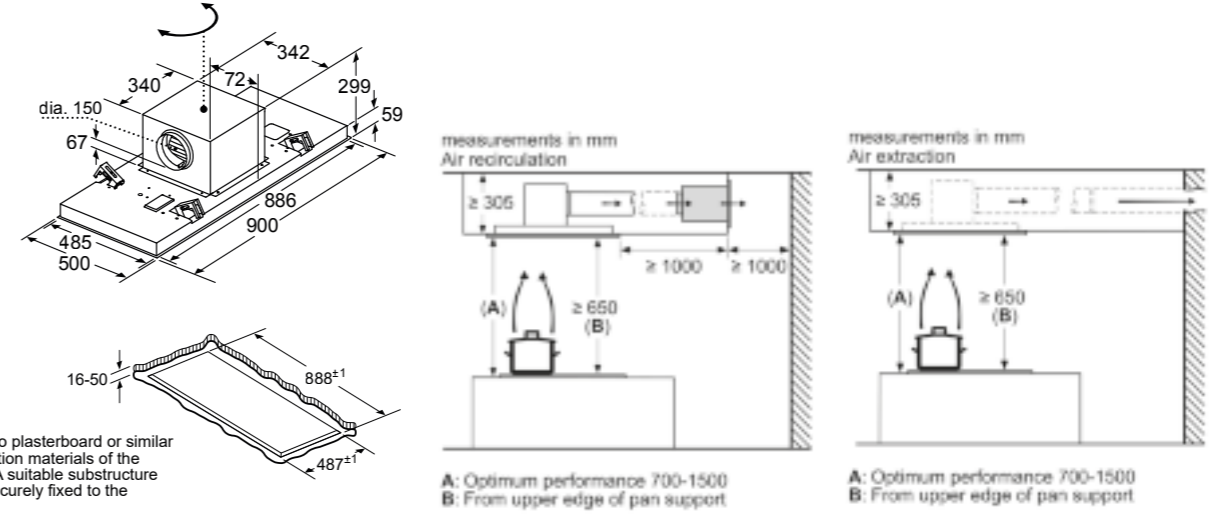
## 90CM I98WMM1S7B



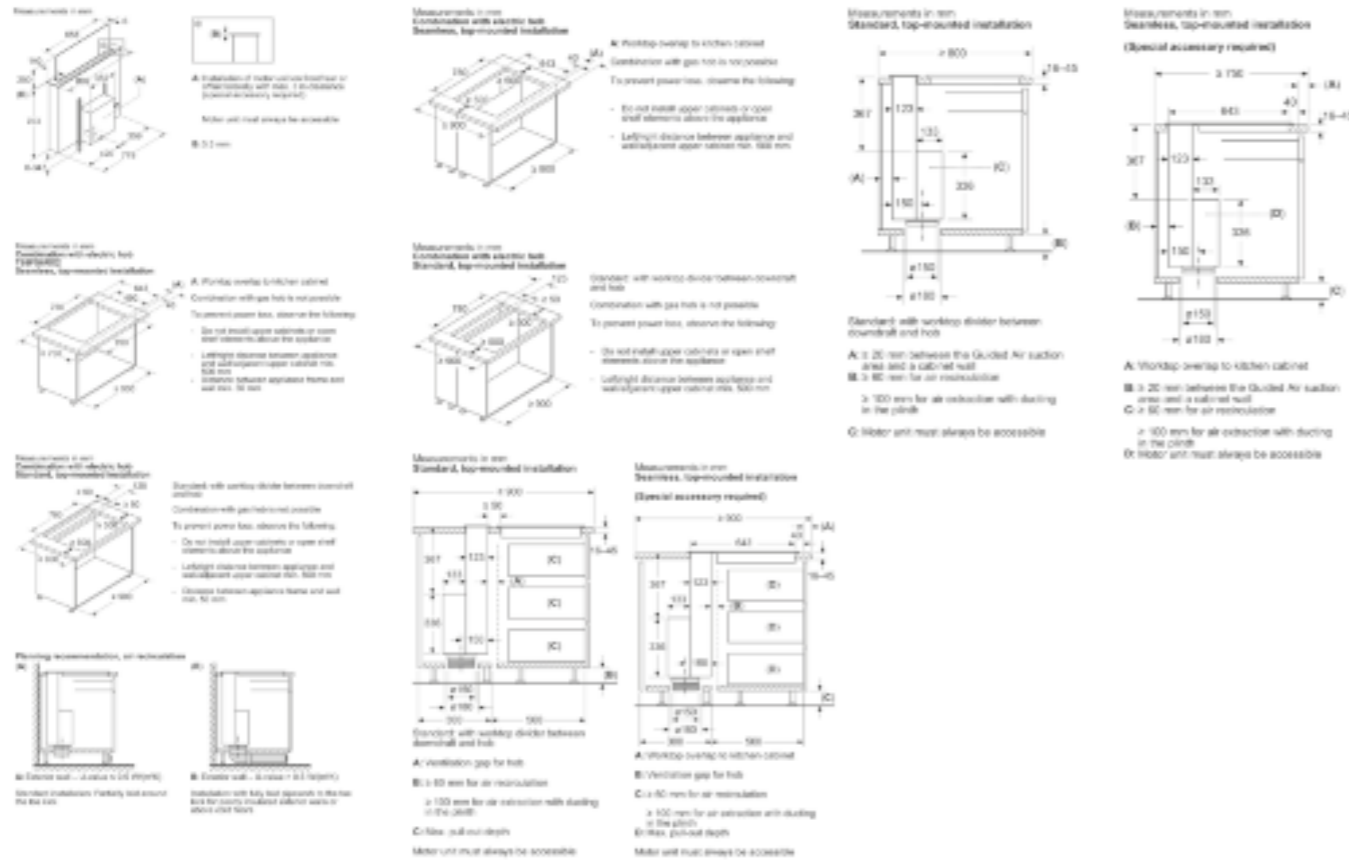
# Ceiling Installation Hood

## 90CM I95CAQ6N0B

The fan outlet can be turned in all four directions

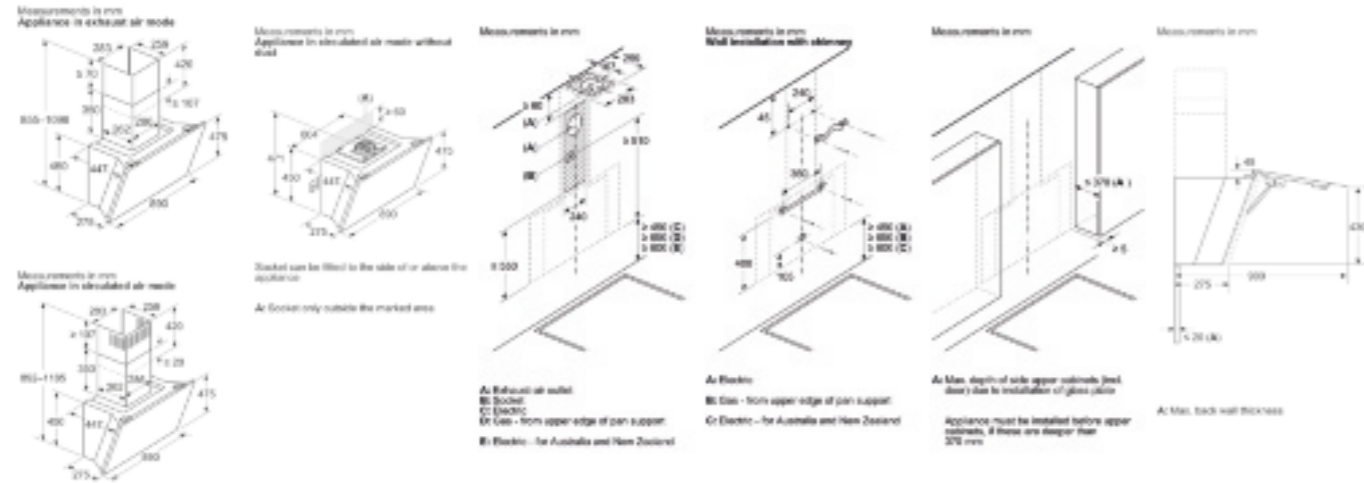


## 80CM I88WMM1S7B

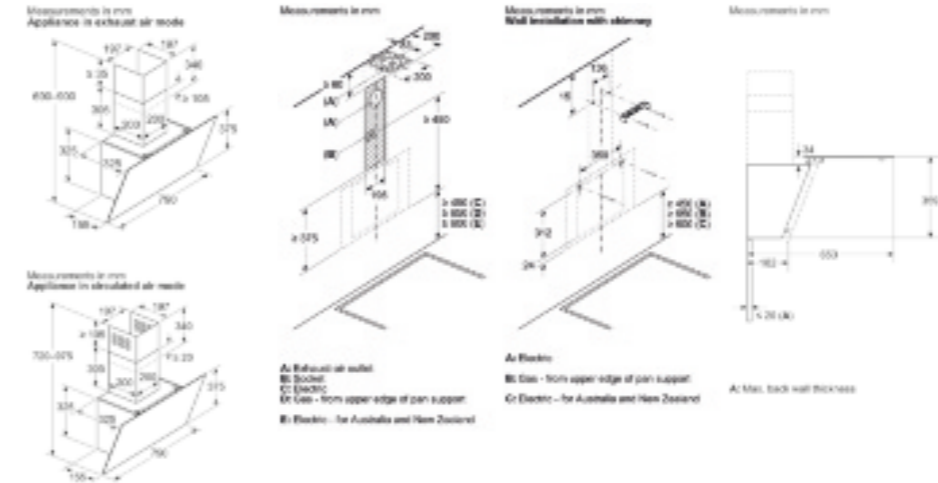


# Wall Installation Hoods

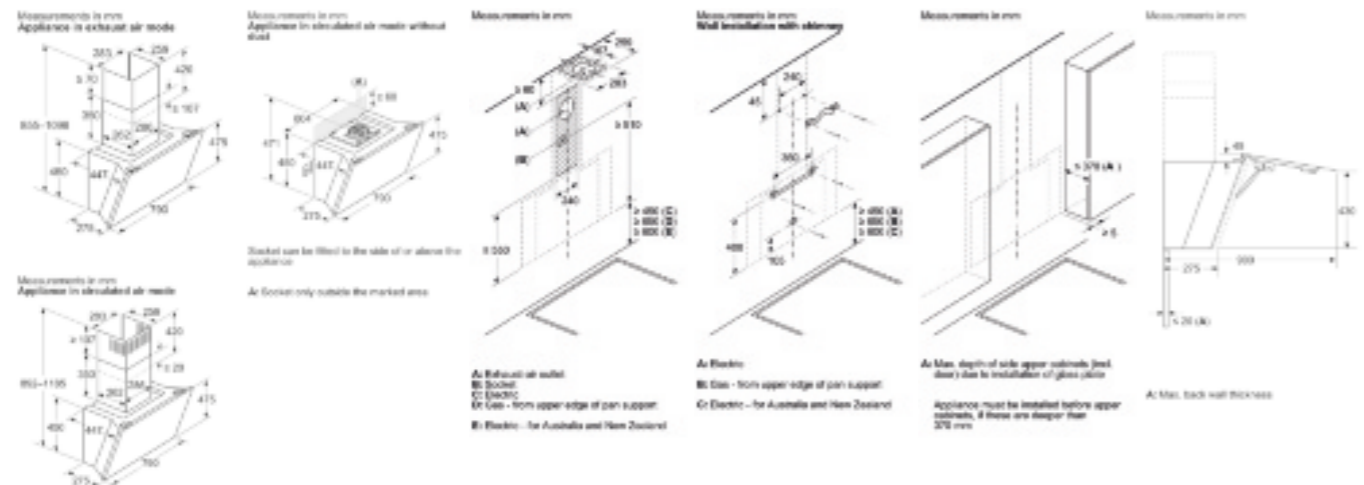
## 90CM D98IPT2S0B



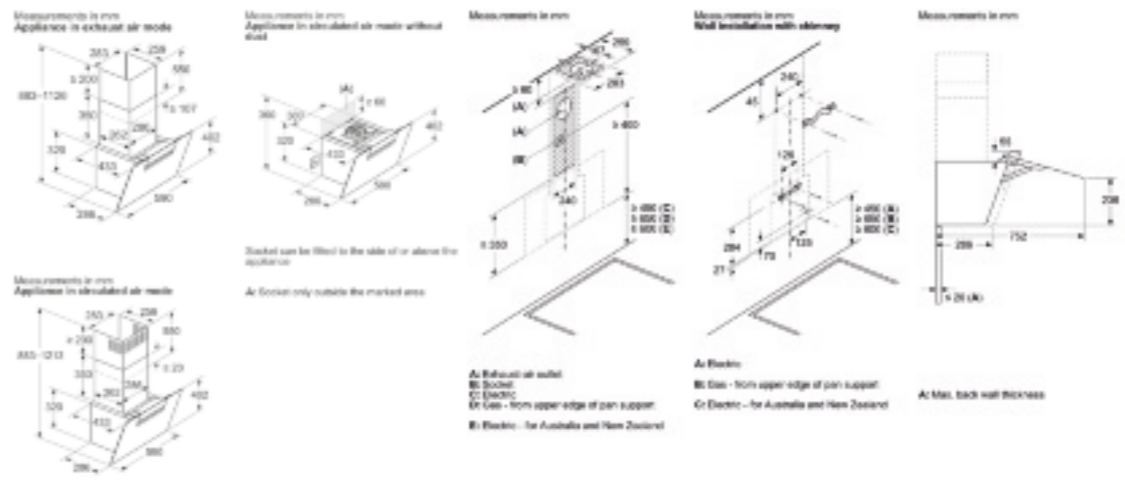
## 80CM D83IDK1S0B



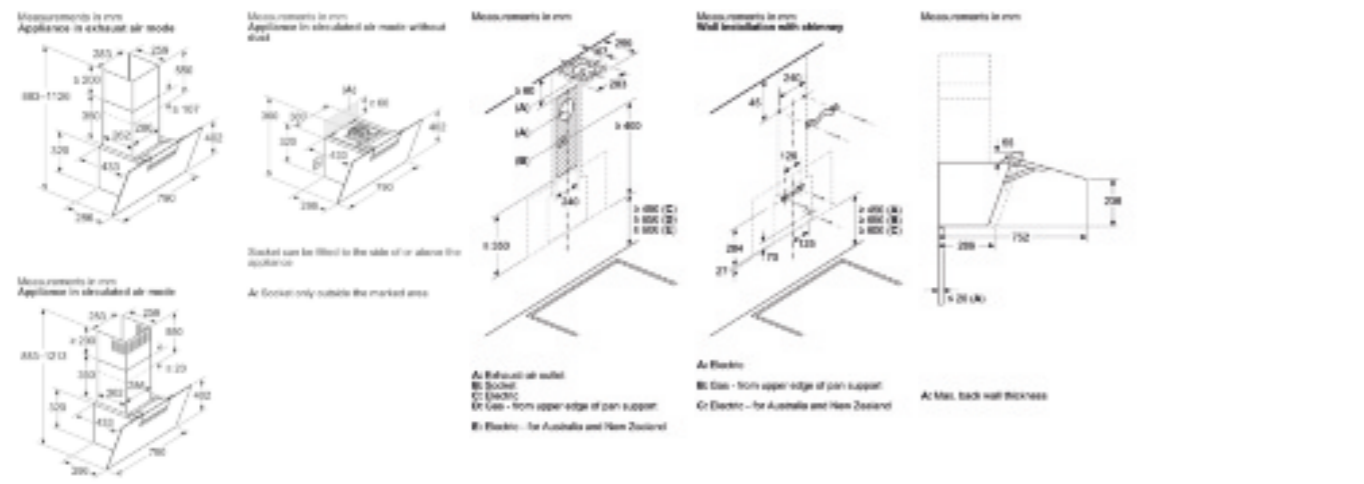
## 80CM D88IAN2S0B



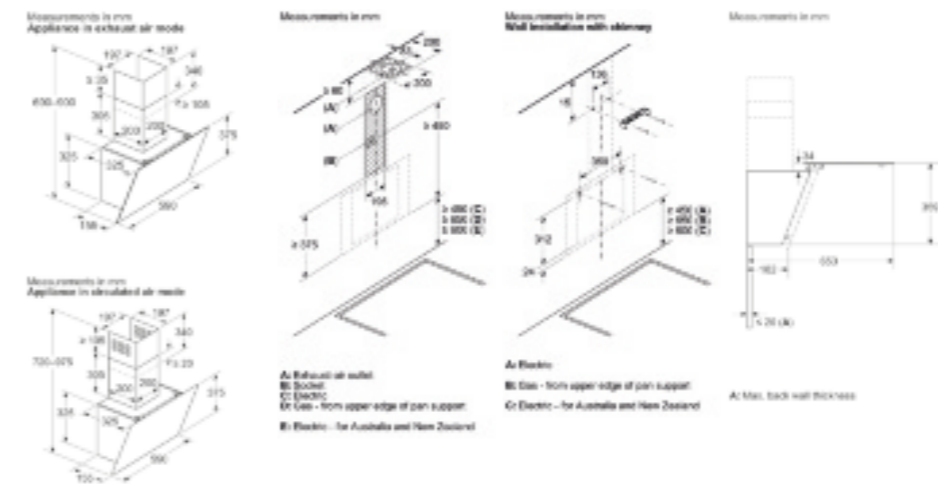
## 60CM D65IFN1S0B



## 80CM D85IFN1S0B

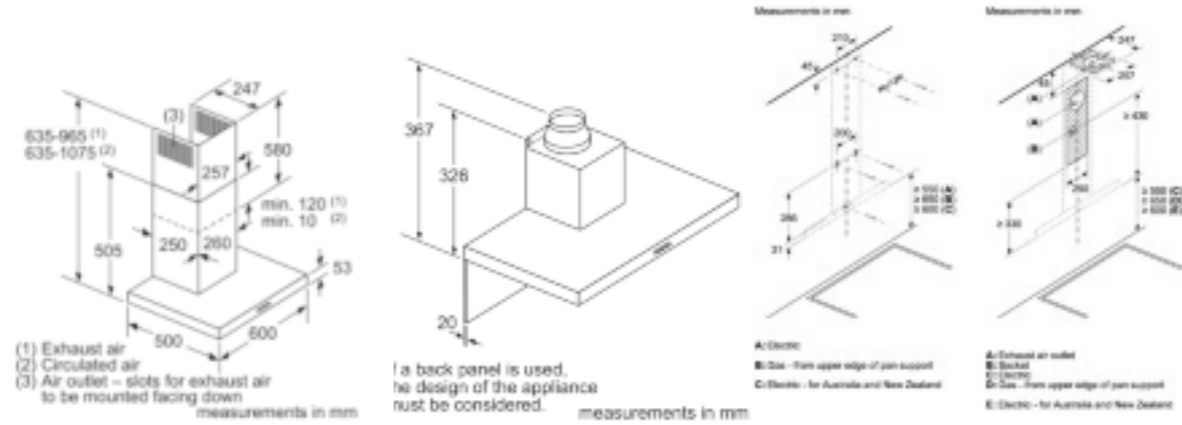


## 60CM D63IDK1S0B

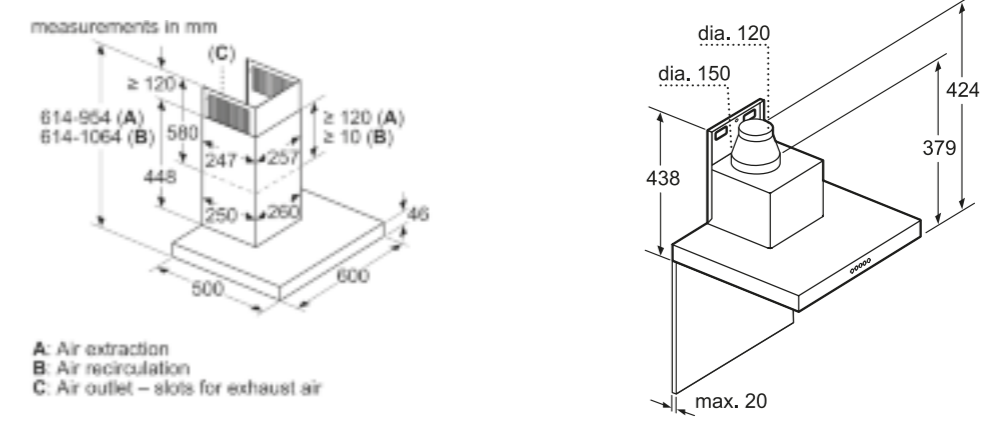


# Box Chimney Hoods

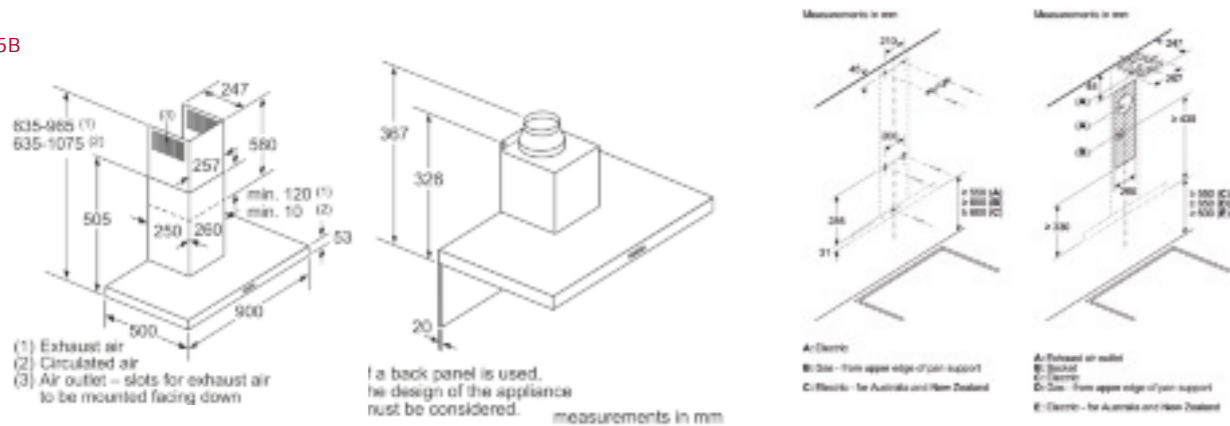
## 90CM D92BBC0S0B



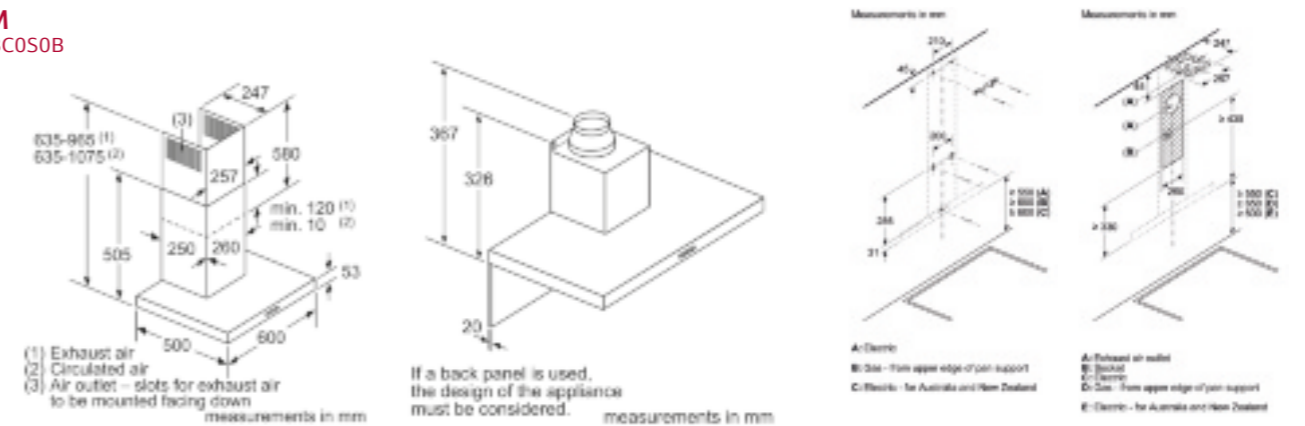
## 60CM D65BMP5N0B



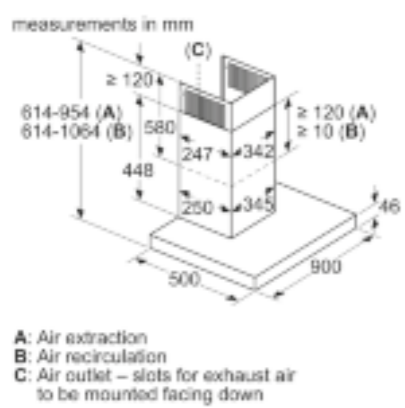
## 90CM D94BHM1S5B



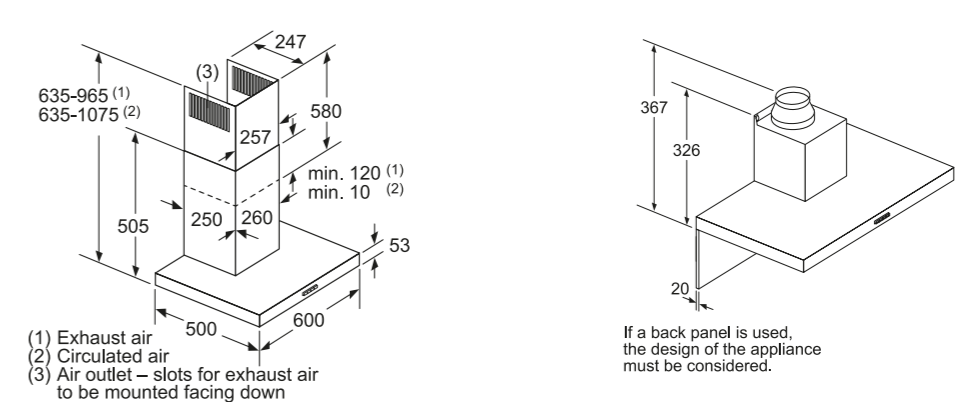
## 60CM D62BBC0S0B



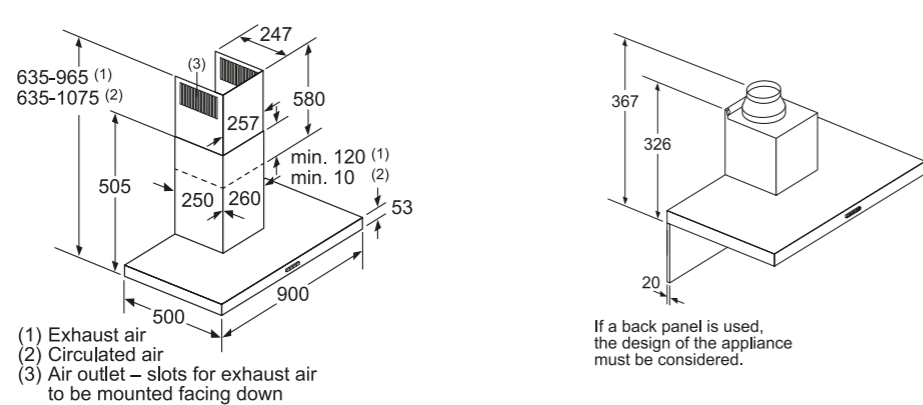
## 90CM D95BMP5N0B



## 60CM D64BHM1N0B, D62BBC0N0B

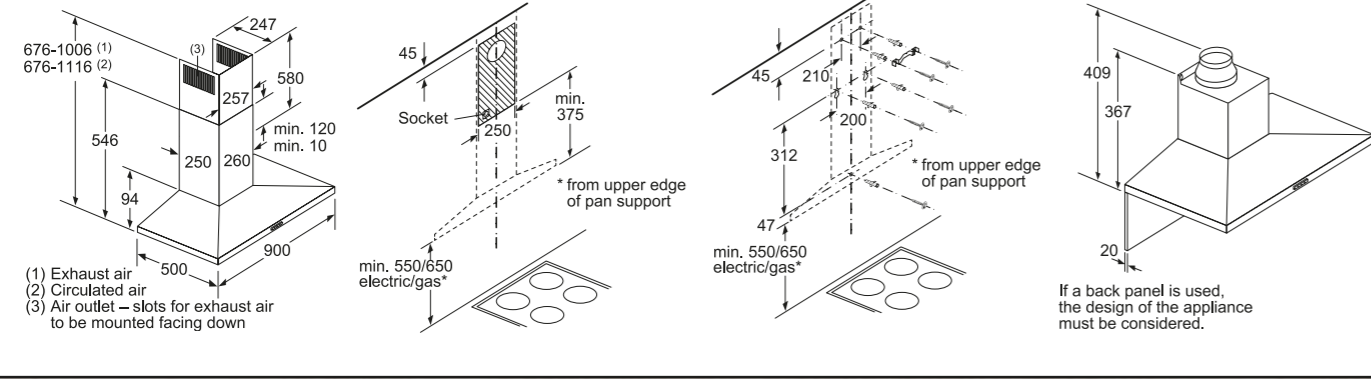


## 90CM D94BHM1N0B

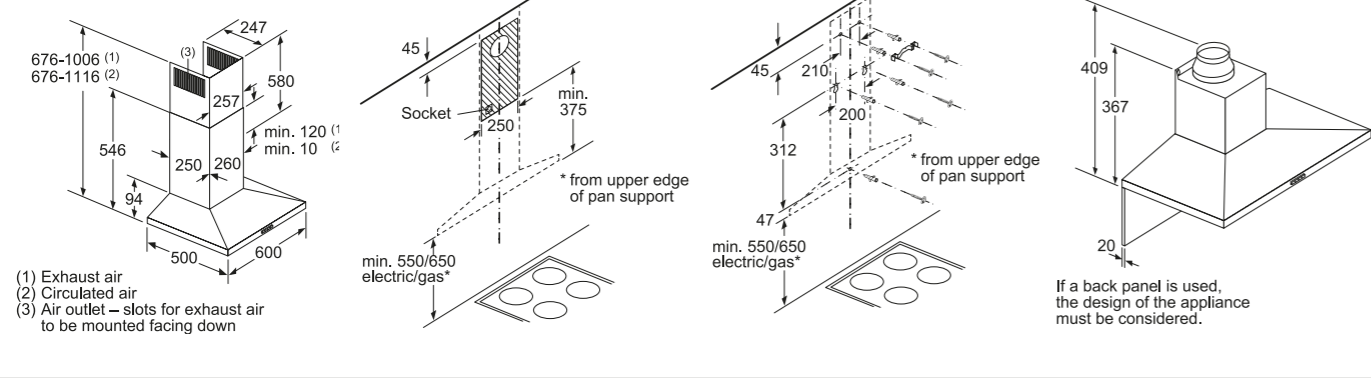


# Pyramid Chimney Hoods

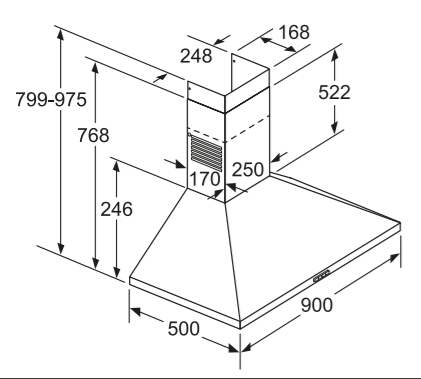
## 90CM D94QFM1NOB



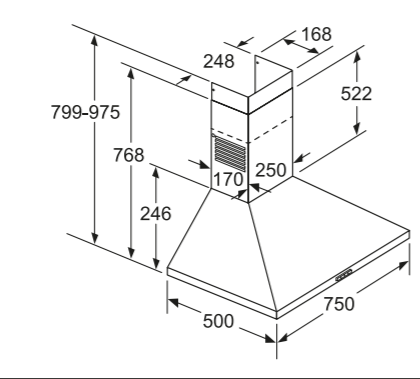
## 60CM D64QFM1NOB



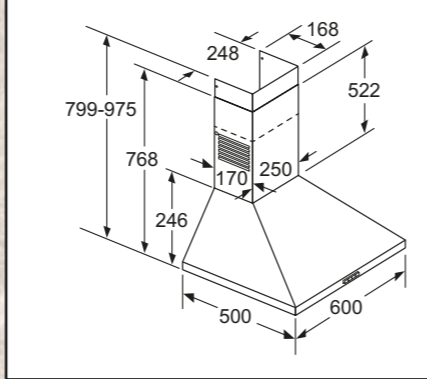
## 90CM D92PBC0NOB



## 75CM D72PBC0NOB



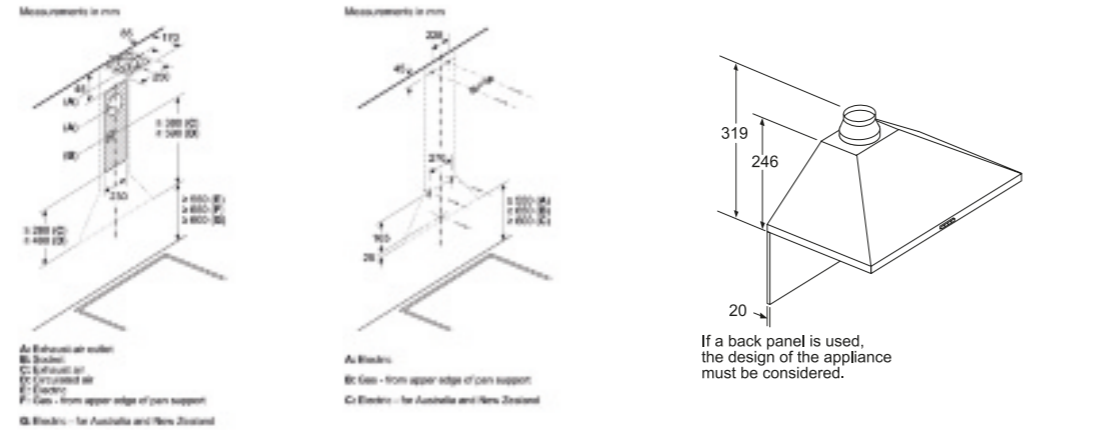
## 60CM D62PBC0NOB



## 90CM D92PBC0NOB

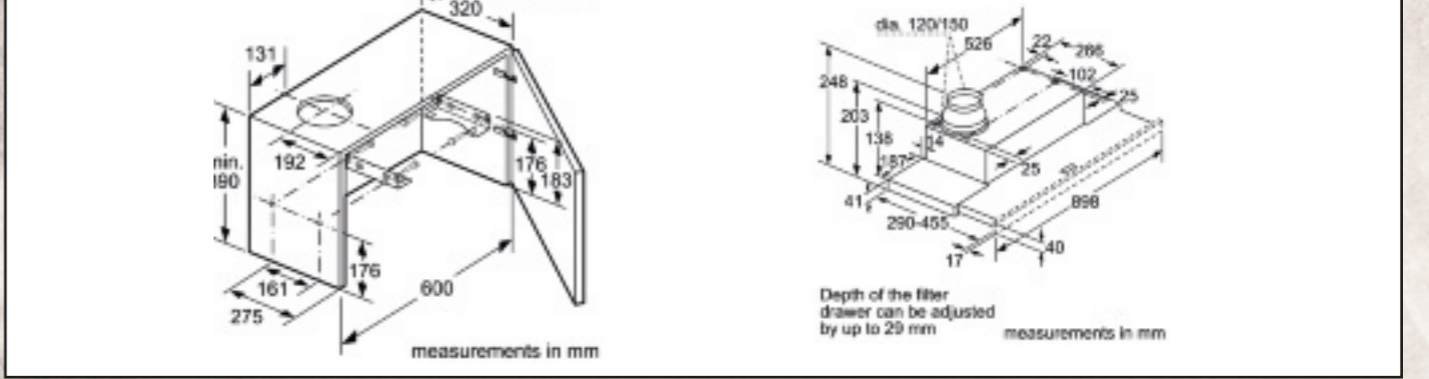
## 75CM D72PBC0NOB

## 60CM D62PBC0NOB

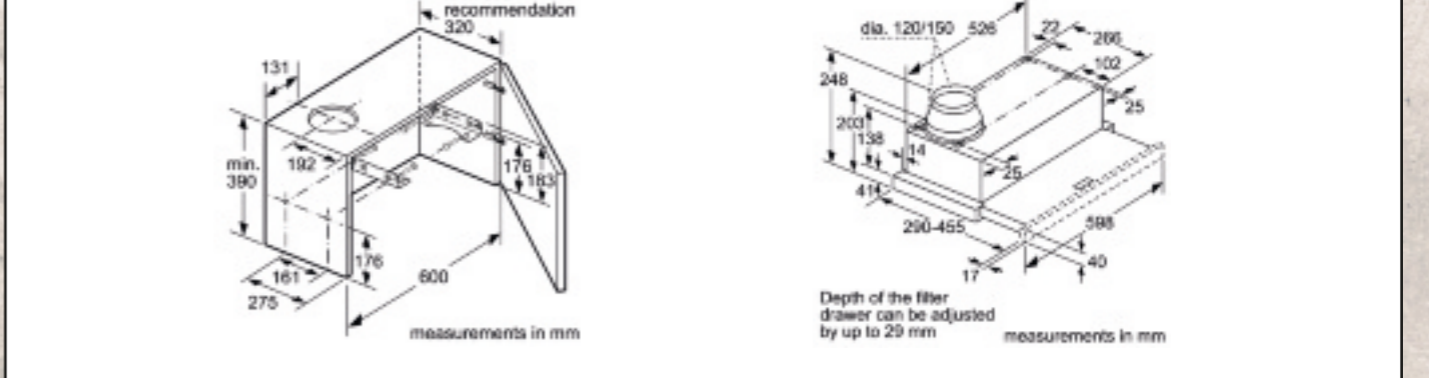


# Telescopic Hoods

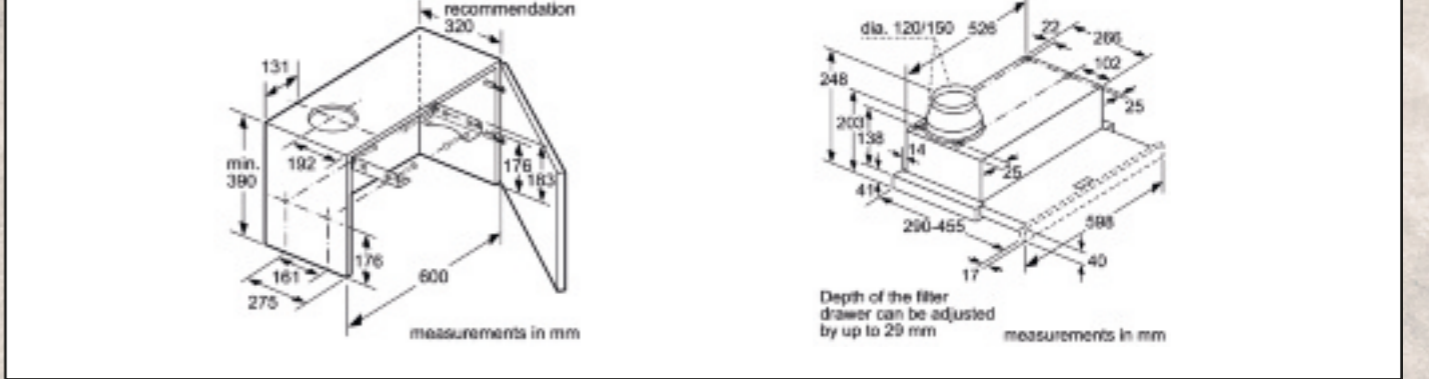
## 90CM D49ED22N1B



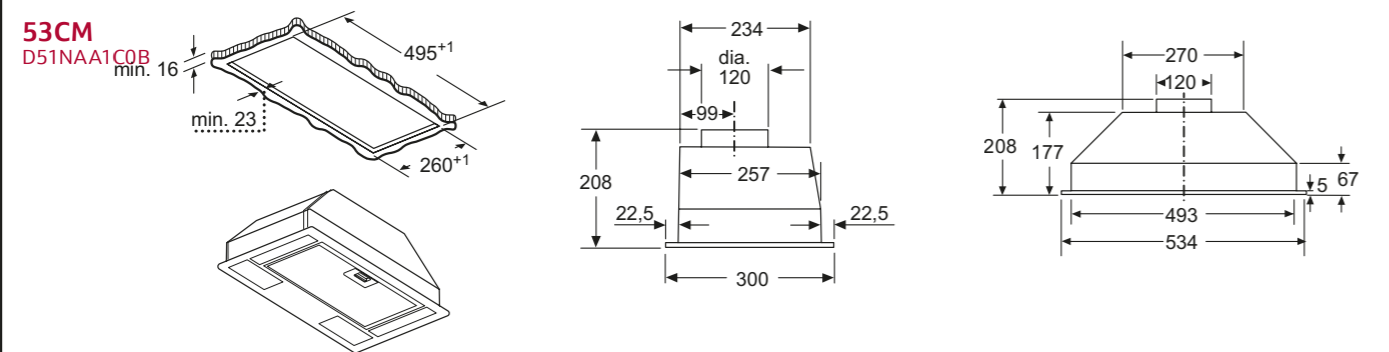
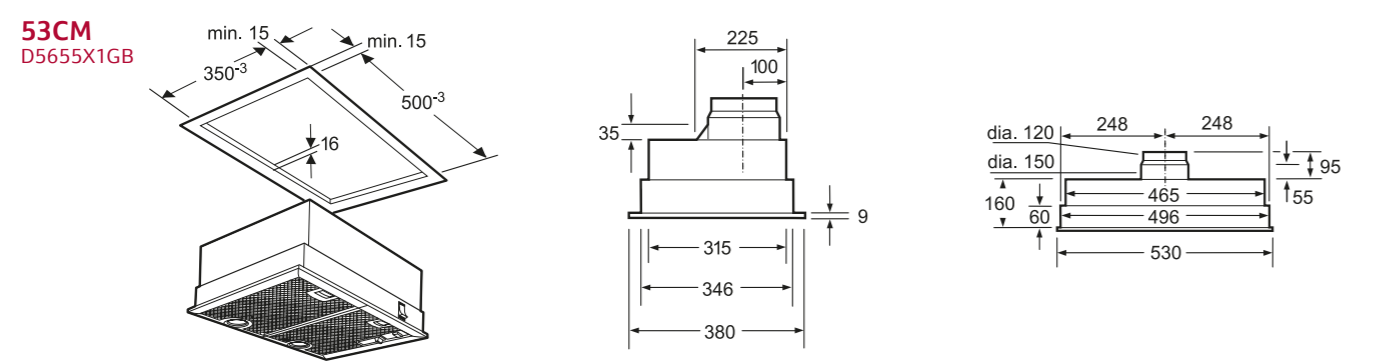
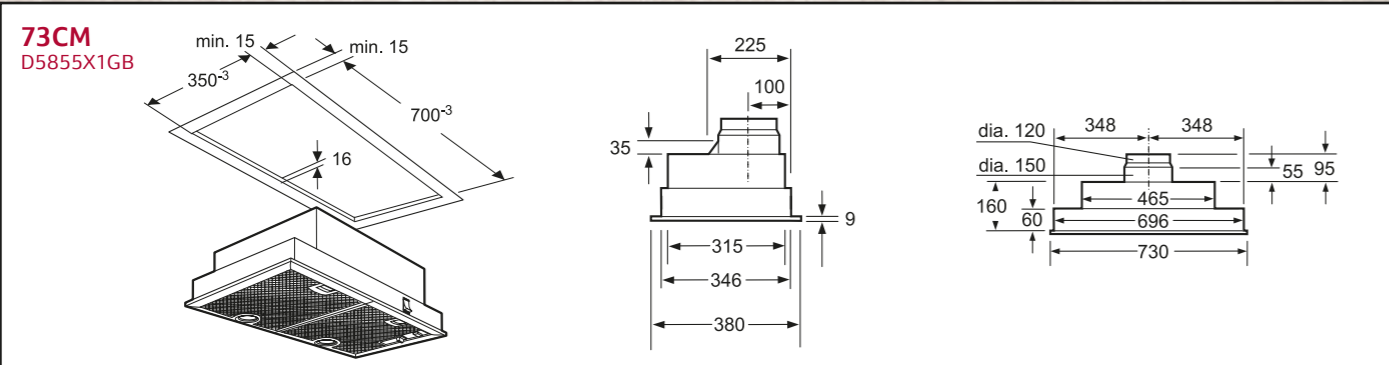
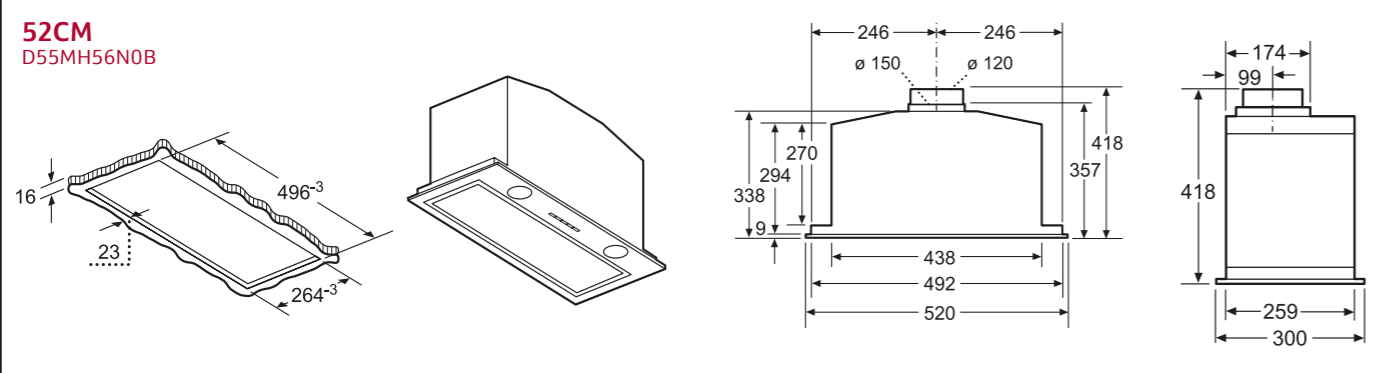
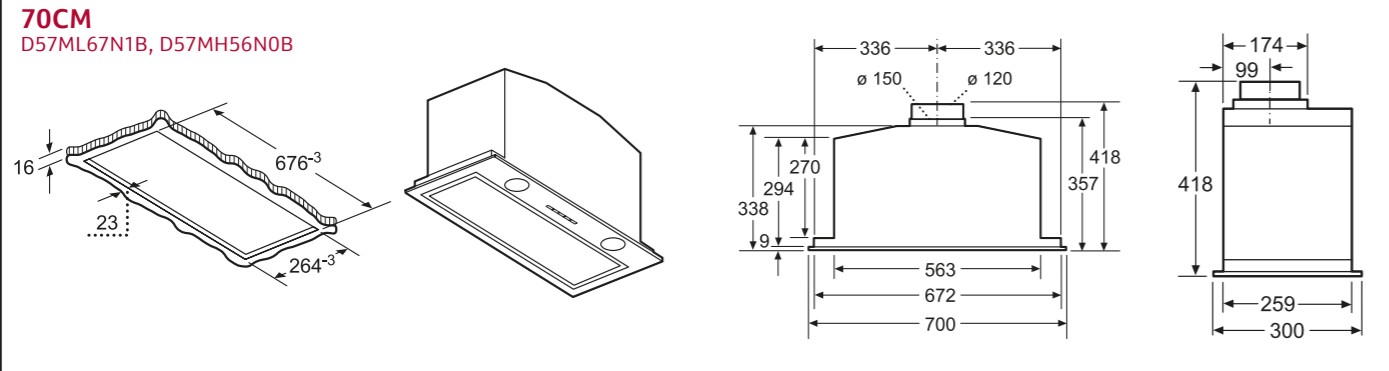
## 60CM D46ED22N1B



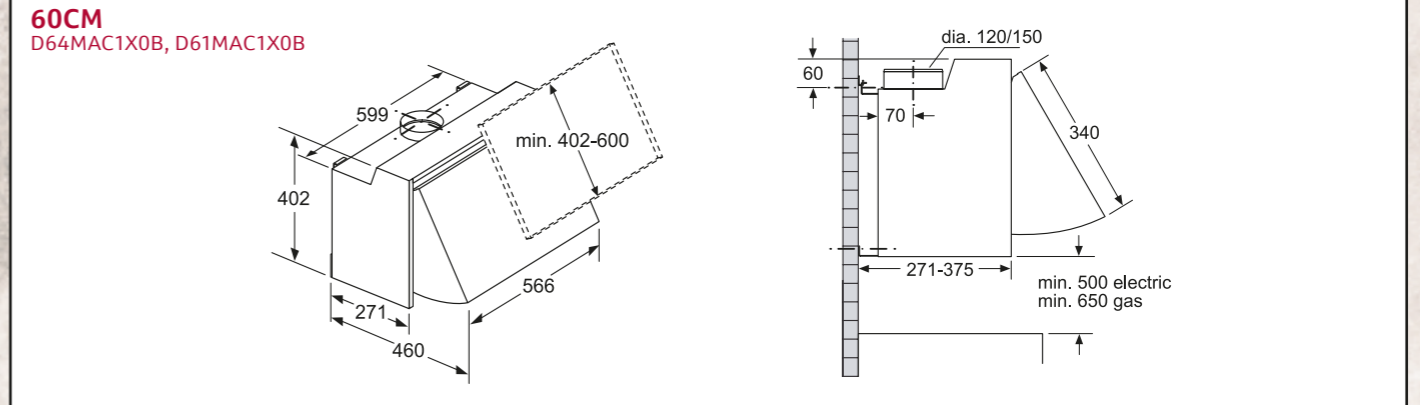
## 60CM D46BR22N1B



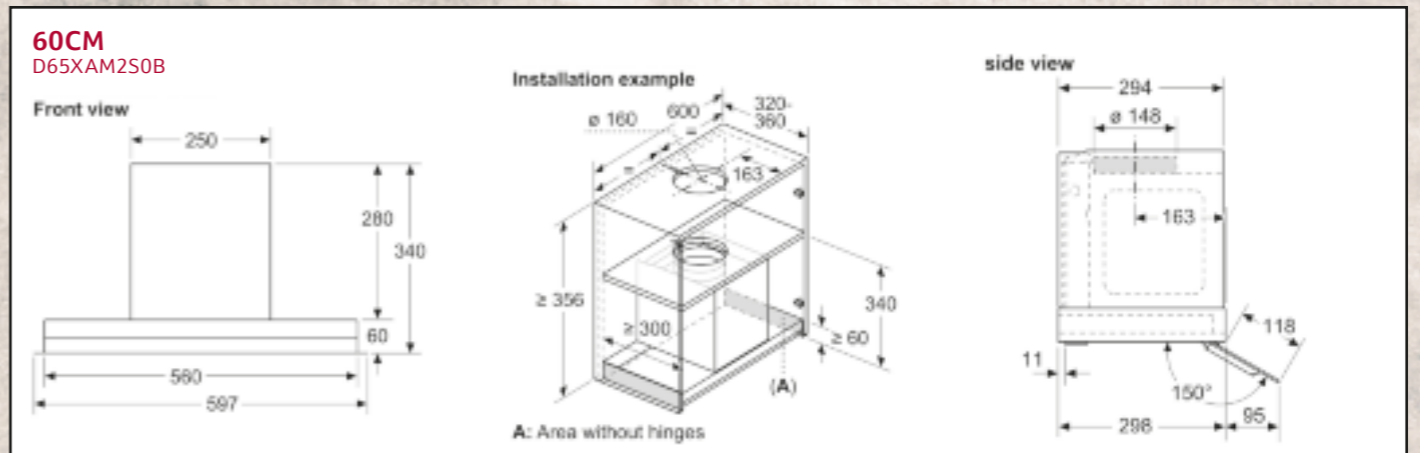
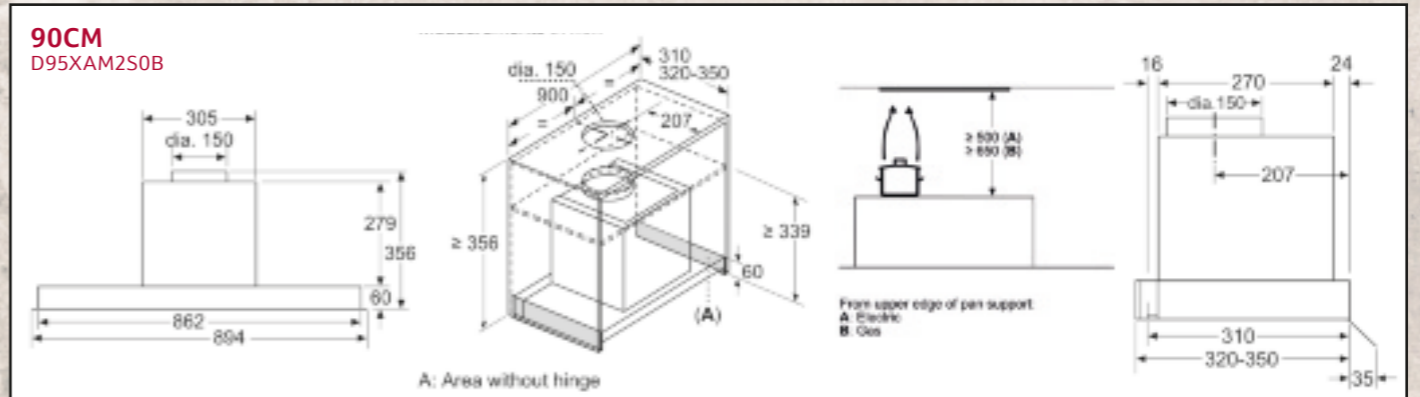
# Canopy Hoods



# Integrated Hoods



# Integrated Design Hoods



THE NEFF OVEN COLLECTIONS  
HOBS  
VENTILATION  
REFRIGERATION  
DISHWASHING  
LAUNDRY



# NEFF COOLING *Range*



## Let's keep it fresh

### Fridges and freezers for food lovers.

- Fridges and Freezers are essential for any home chef and finding the perfect Cooling solution is easy with the NEFF Cooling Range.
- The range is comprehensive in both the features and the installation.
- NEFF's range of cooling appliances focus on Built In integrated models with a range of Fridge/Freezers in a variety of sizes and splits and a Range of Single Fridges and Freezers. This means that a customer can choose just how much fridge and freezer space and the range of hinges allows scope to include in the kitchen design – neatly integrated as part of the overall kitchen.
- The NEFF range is packed with features to really care for ingredients with the customer configuration in mind. With many key cooling features and flexibility, a customer can build exactly what they want.
- The range is clearly laid out in height order leading with Fridge/Freezers followed by the single appliance range.
- And for those that want the extra capacity the newest additions to the range to cope with the largest demands are the XL & XXL – designed to accommodate the largest shop.
- Peace of mind built-in – many of NEFF's cooling range are covered by our **5 year** warranty – clearly marked in the matrix tables. Further warranty information can be found on NEFF Customer Service pages 184-185.

# Built-In Fridge Freezer Guide

## Fridge Freezers

Comprehensive Range of models to suit customer needs.

- Available in two heights
  - Standard 177cm in various “splits” 70/30, 60/40, 50/50 of Fridge to Freezer.
  - The New 193.5cm tall XL & XXL range – available in a 60/40 split of Fridge to Freezer.
- Available in Fixed & Sliding hinge to accommodate design and kitchen furniture.
- All Fridge Freezers have a 4-star rating.

**Standard** | **XL** | **XXL**

Standard: 55.8 cm width, 177.2 cm height

XL: 55.8 cm width, 193.5 cm height

XXL: 70.8 cm width, 193.5 cm height

**+11%**  
\*Compared to standard size fridge

**+45%**  
\*Compared to standard size fridge

# Hinge Types

## Hinges to suit all kitchen designs

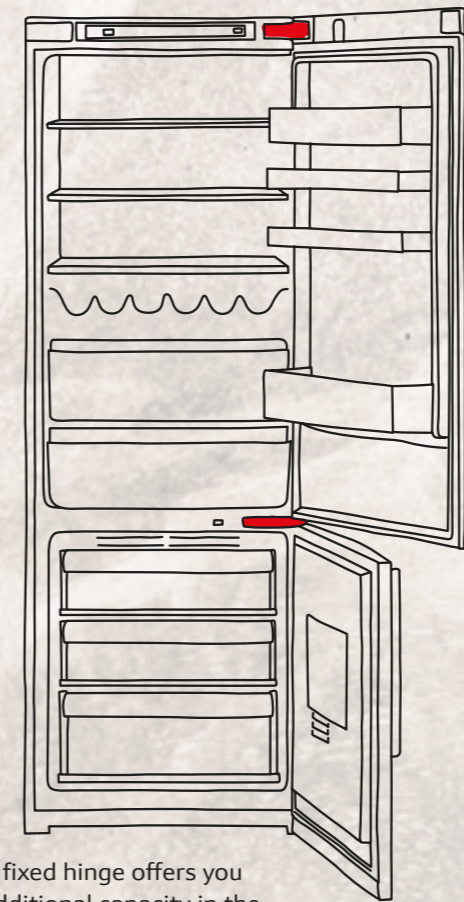
Our doors can be right-hinged or left-hinged in order to suit your kitchen design.

### Fixed Hinge & Soft Close Hinge

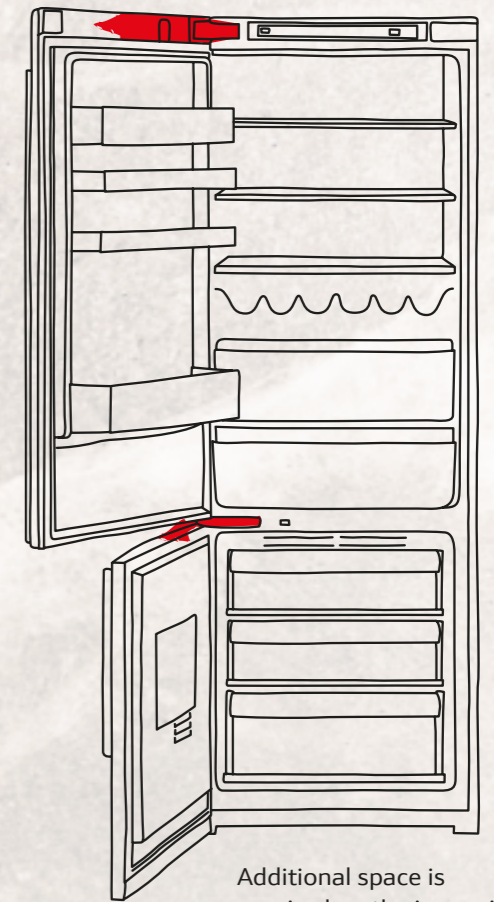
The benefit of this type of hinge is that it carries more weight – ideal for kitchen cabinetry made from heavier hard wood. This hinge also allows the door to open at a wider angle, making the fridge cavity easily accessible. All NEFF doors close automatically when at an angle of approximately 15-20° and selected models have the benefit of Soft Close.

### Sliding Hinge

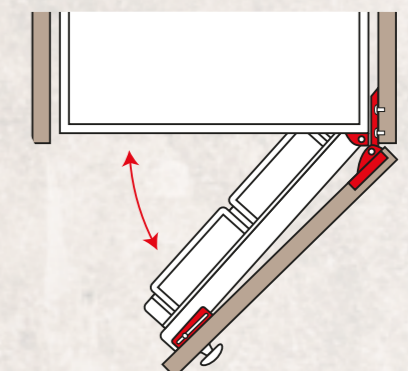
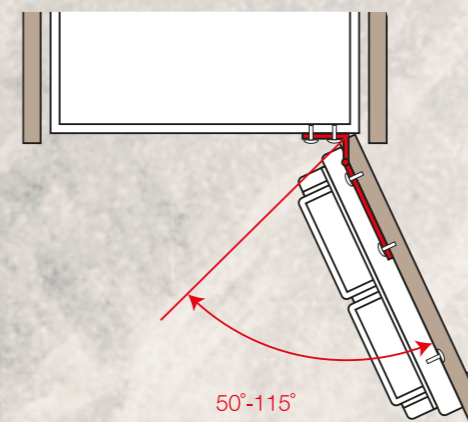
Our sliding hinge feature sits between the appliance and the furniture door and is secured by a series of brackets. As you open the furniture door, the appliance door is also opened via the sliding bracket design.



A fixed hinge offers you additional capacity in the refrigerator, leaving you more room for your food.



Additional space is required on the inner side of the cabinet to make way for the door hinge.



# Built-In Single Fridge & Freezer Guide

## Single Fridges & Single Freezers

For customers looking to install a single fridge and freezer this range will suit their needs.

- Available in several heights to create a bespoke cooling solution.
- Extensive installation combinations – Side by Side, Over & Under & Built Under options available.
- All appliances have a 4-star rating.



# Size Guide & Installation Options

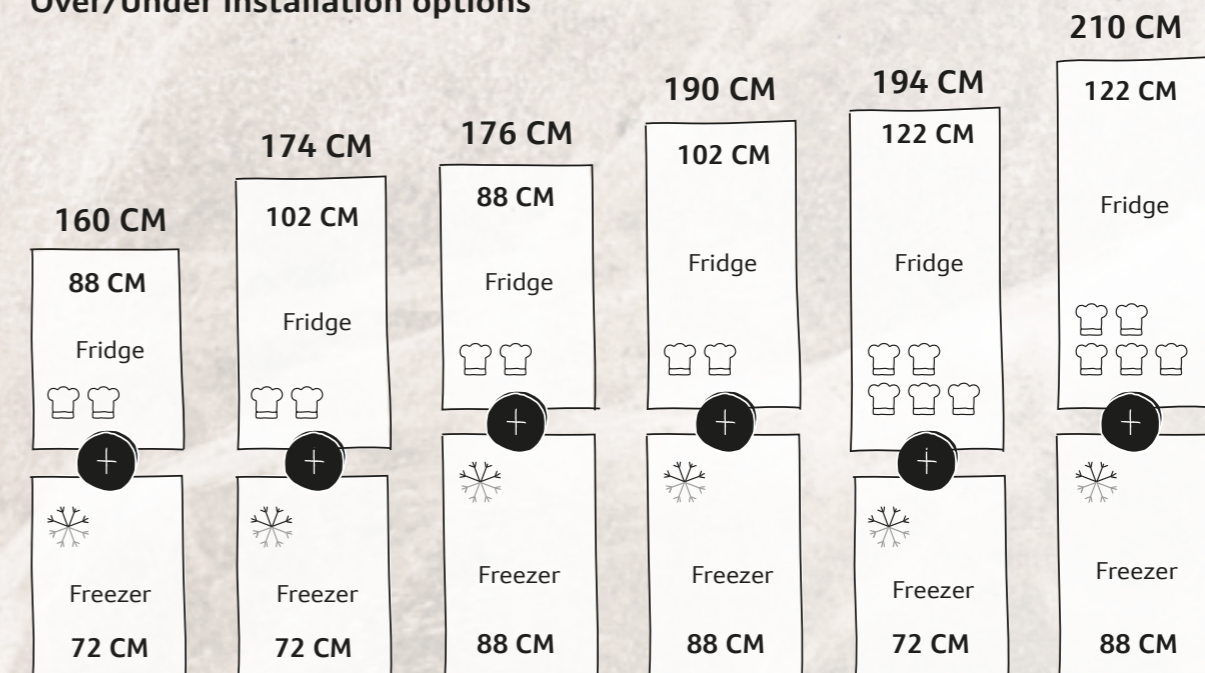
## Combination and layout solutions for installing your cooling appliances

With so many kitchen styles to choose from, at NEFF we've catered for all spaces and lifestyles. With the option to build a cooling solution to your requirements, our installation options are designed to offer the ultimate flexibility. From side-by-side fridge and freezer installations to over-under stacked installations, it's easy to incorporate NEFF appliances into your overall kitchen design.

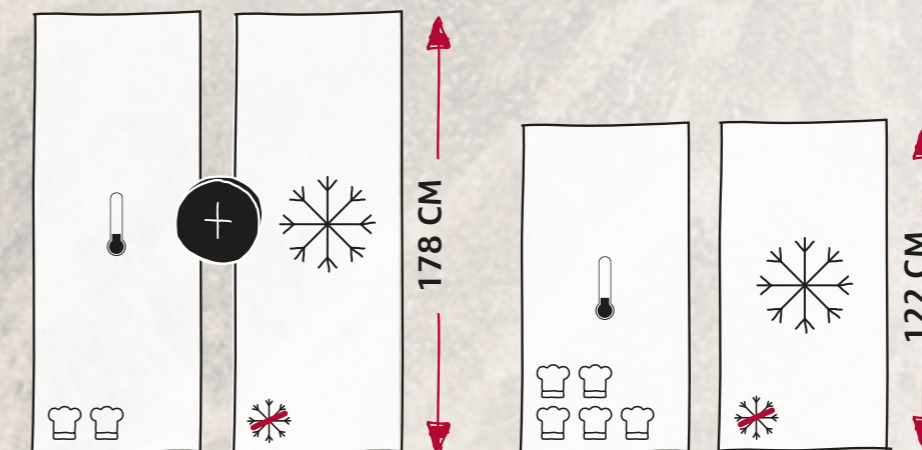
## Installation Solutions

- The range can be installed Over/Under to create a bespoke solution.
- Depending on fridge and freezer capacity required the range can be installed to create the solution.
- The range can be installed Side by Side and the Tall Fridge & Freezer create equal fridge and freezer capacity.

### Over/Under installation options



### Side by Side installation options



# Other Styles



## American-Style Fridge Freezer

- Side by Side configuration with Anti-fingerprint stainless-steel doors.
- No Frost – No more defrosting your freezer.
- Ice Dispenser – Ice cubes and crushed ice are at your fingertips when plumbed in.
- Fresh Safe – Fridge drawer for flexible storage of your fresh fruit and vegetables

# Built Under Solutions



## Wine Cabinets

- Available in two widths; 30cm – 21 bottle capacity /60cm – 44 bottle capacity
- 2 in 1 Temperature Zone (5°C-20°C)
- Individual temperature zones to store white and red wine.
- Interior Light



## Built Under Fridges & Freezers

- 82cm High to install under a worktop
- Super cooling with Home Connect app
- Some models with 4 star freezer section
- LED lighting

# Your guide to Cooling

SERIES FUNCTIONS				
Product Function	N 90	N 70	N 50	N 30
Home Connect	•	-	•	•
Fresh Safe	Fresh Safe 3	Fresh Safe 2	Fresh Safe	Fresh Safe
No Frost/Low Frost	•/-	•/•	•/•	•/
Vario Shelf	•	•	-	-
Wire Flex Shelf	•	-	-	-
Easy Access Shelf	•	•	-	-
Easy Lift Shelf	•	-	-	-
Flexi Rail Drawers	•	-	-	-
LED Display	•	•	•	-
Electronic Control	-	-	•	-
Energy Rating	E or F	E or F	E or F	F
Super Cool	•	•	•	-
Fresh Sense	•	•	-	-
Soft Close/Fixed/Sliding	•/•/-	-/•/-	•/•/-	-/-/•
LED Light/Daylight/Interior Light	•/-/-	•/-/-	•/•/-	-/-/•
Super Freeze	•	•	•	-
Big Box	•	•	•	-
Wine Cabinets	-	•	-	-
Vegetable Drawer	-	-	-	•
Manual Defrost	-	-	-	•

## Cooling Functions

### MULTIPLE COOLING SYSTEMS

Separate cooling circuits for independent temperature control, to prevent the transference of odours and/or humidity between the fridge and freezer cavities.



### MULTI AIR FLOW COOLING

Greatly improves the circulation of air around the fridge, regulating the temperature and humidity levels and eradicating condensation build up, so that your food stays fresher for longer.



### NO FROST

No Frost freezers automatically react to any signs of frost so it never has a chance to build up. With a No Frost freezer air is blown from the back wall and circulates over food items. As a result, there is no condensation or build up of frost and food does not freeze together.



### LOW FROST

Low Frost improves performance and reduces frost build up in an energy efficient way. It also provides more storage space due to there being no internal evaporator and you may only need to defrost your freezer every 2-3 years.



### SUPER FREEZE

Go ahead and lower the temperature in your freezer to prevent your already frozen goods from warming up just by being in the same drawer. Super Freeze lowers the temperature temporarily before switching back automatically. Simply activate "Super Freeze".



### ECO AIR FLOW

Our Eco Air Flow system treats your ingredients as lovingly as you picked them. Eco Air Flow circulates the air evenly in your fridge to keep flavours delicious under ideal cooling conditions.

### INTELLIGENT COOLING

Uses a range of innovative sensors to calculate the quantity of food in the fridge with the outside temperature. The fridge then adjusts the internal cooling power accordingly.

### SUPER COOL

Allows for the increase in temperature that occurs when fresh food is added. As soon as the food is cold, the fridge will readjust to the normal temperature.

### DOOR OPEN

Door Open and high temperature alarm systems alert you if the door has been left open or a power cut has occurred. Ideal for mitigating food wastage.

### FRESH SAFE

Our Innovative 0°C Fresh safe preservation system extends the life of food times to reduce waste.

### DOOR OPEN ASSIST

Open your fridge with a simple push or a single word. The push to open mechanism is a perfect match with handle free kitchen furniture

## Design Features



### Unique to NEFF, making your life even easier

#### EASY CLEAN MAGNETIC DOOR SEALS

The magnetic door seals on all of our refrigeration ranges are removable, making them easy to clean and/or replace if necessary.

#### SOFT CLOSE

With Soft Close, the fridge door closes automatically when open at an angle of 20° or less. With a soft closing mechanism, it's the ideal addition to kitchens with soft close cabinets.

#### ANTI-SPILL TRIMS

Effectively hold up to a pint of liquid in case of accidental spillage. Food is protected below and the clean-up process is a little less messy.



#### WIRE SHELF

Completely unique to NEFF, our new Wire Shelf feature is ideal for securely storing jars and bottles stacked on their side.



#### EASY LIFT SHELF

With Easy Lift shelving, it's possible to adjust shelves with just one hand – even when they're fully loaded. Perfect when unloading shopping or introducing freshly prepared dishes to the fridge.



#### EASY LIFT DOOR STORAGE

Easily adjust door storage with just one hand. Combined with Easy Lift Shelves, your fridge space won't restrict your favourite foods and drink.



#### EASY ACCESS SHELF

The retractable glass shelf allows for easy loading and unloading as well as better access to your food. Ideal for putting the finishing touches to those delicate desserts.



#### BOTTLE RACK

Always have a chilled bottle on standby for those impromptu get-togethers.



#### VARIO SHELF

Designed to offer complete flexibility in your fridge, sectioned glass shelves can simply be separated and slid underneath when not in use. Ideal for larger dishes, with space left over for a convenient condiments storage area at the back.



## Home Connect

### Home Connect

Simply use your phone or tablet to control your XXL fridge, even when you're on the go. Use your Home Connect app to get smart benefits from your fridge. Control your fridge on the go and easily set it to ECO or Holiday Mode, even after you've left home. Simply smart.

### Individual Temperature Control

Tastes vary - and so do the ingredients. Individual Temperature Control enables you to set a higher temperature when no fresh greens, reds or yellows are sitting on their chilled shelves. Simply choose an eco-friendly mode with a higher temperature for your fridge via the electronic control panel, while the Individual Temperature Control keeps the freezer up and running.

### Door Alarm

Say goodbye to the frustration of accidentally leaving the fridge door open. Equipped with both visual and acoustic alarms, the fridge signals that it needs another gentle shove for sustainable cooling. Even if the door is slightly ajar, the fridge will request a gentle nudge to maintain optimal temperatures. And for added convenience, if your fridge is integrated with the Home Connect app, you'll receive notifications directly to your smartphone.

### Freezer Light

Just find what you are looking for: Our Freezer LED light illuminates every frozen ingredient in your drawers. And if your appliance is Home Connect enabled, you may additionally adapt the light intensity to your liking. Also, you may activate the emotional light which adds a lovely light effect to your kitchen even when the doors of your fridge and freezer are closed.

### Fresh Safe 1 <0°C>

Enjoy a variety of storage options to suit your preferences, including a flexible drawer for fruits and veggies. In addition, the unit features a dedicated compartment for meat and fish that's kept at an optimal temperature up to 0°C.



## Built Under Wine Cabinets



- Holds 21 Wine Bottles
- LED Lighting
- 1 Temperature Zone
- Temp Range 5° - 20°C
- UV Filtered glass door

- Holds 44 Wine Bottles
- LED Lighting
- 2 Temperature Zones
- Temp Range 5° - 20°C
- UV Filtered glass door

DESIGN FEATURES	KU9202HF0G   N70	KU9213HG0G   N70
Colour of door panels	Black	Black
Colour of side panels	Black	Black
Type of glass door	3 glass panels, UV-filtered	3 glass panels, UV-filtered
Door handle type	Vertical bar handle	Vertical bar handle
Temperature display	Interior / Digital LED	Interior / Digital LED
Reversible door, hinged on right	•	•
Home connect / Built in cameras		
KEY FEATURES – WINE CABINET SECTION		
Range of temperature (0°C)	5 - 20	5 - 20
Temperature zones	1	2
LED light	LED	LED
Number of shelves	4	5
Number of bamboo shelves	3	3
Number of adjustable shelves		
LED lighting with soft start & presenter lighting	•	•
Capacity in 0.75l (Bordeaux bottles)	21	44
FUNCTIONS		
Door open warning signal/malfunction	•	•
Child lock	•	•
PERFORMANCE & CONSUMPTION		
Energy efficiency class		
Energy consumption <sup>1</sup> kWh/annum	100	130
Refrigerator net capacity L	56 l	108 l
Climate Class <sup>2</sup>	SN-ST	SN-ST
Noise level dB (A) re 1 pW	38	38
Noise level class	C	C
Height of product mm	818	818
Width of product mm	298	598
Depth of product mm	567	581

Please ensure adequate ventilation is provided in plinth to allow air flow.

<sup>1</sup> Actual energy consumption will depend on how the appliance is used and where it is located.  
<sup>2</sup> Climate zone ST = designed to operate in ambient temperature of +16°C to 38°C.  
 Climate zone SN = designed to operate in ambient temperature of +10°C to 32°C.

## Freestanding American-Style Fridge Freezer



- Stainless Steel anti fingerprint
- Automatic Ice & Water (Plumbed In)
- 2 Fresh Safe Drawers (Fridge)
- No Frost



DESIGN FEATURES	KA3923IE0G   N70
Colour of door panels	Stainless steel anti fingerprint
Colour of sides	Grey
Style of handle	vertical bar handle
Colour of handle	Stainless steel
NoFrost in fridge and freezer	•
Home Connect, Wi-Fi dongle included	
FOOD FRESHNESS SYSTEM	
Fresh Safe	2 x Fresh Safe drawers on rails
KEY FEATURES – FRIDGE SECTION	
Product highlights	LED
Super Cool	•
Type of control	Electronic
Number of shelves	5
Number of adjustable shelves	
Bottle shelves in fridge	•
Number of door bins / shelves	5
Temperature display	Digital
Warning signal door open	•
KEY FEATURES – FREEZER SECTION	
Door opened indicator	•
Super Freeze function	•
Temperature adjustable in freezer	•
Number of ice cube trays	Automatic ice cube maker
Ice dispenser features	Crushed ice, ice cubes, water, water filter
Number of freezer drawers	2
ADDITIONAL INFORMATION	
Energy efficiency class	
Energy consumption <sup>1</sup> kWh/annum	323
Total net capacity L	562
Refrigerator net capacity L	371
Freezer net capacity L	191
Climate Class <sup>2</sup>	SN-T
Noise level dB (A) re 1 pW	42
Noise level class	D
Additional accessories included	1 x connection hose, 1 x egg tray
Height of product mm	1787
Width of product mm	908
Depth of product mm	707

<sup>1</sup> Actual energy consumption will depend on how the appliance is used and where it is located.  
<sup>2</sup> Climate zone SN = designed to operate in ambient temperature of +10°C to 32°C.  
 Climate zone T = designed to operate in ambient temperature of +18°C to 43°C.

# Built-In Fridge Freezers



XXL 193.5CM TALL - 60/40

KB7966DD0   N70	KB7962SE0   N50
<ul style="list-style-type: none"> <li>• Extra Capacity</li> <li>• 2 Fresh Safe Drawers</li> <li>• No Frost</li> <li>• Home Connect</li> <li>• LED Lighting</li> <li>• Fixed Hinge</li> </ul> 	<ul style="list-style-type: none"> <li>• Extra Capacity</li> <li>• 2 Fresh Safe Drawer</li> <li>• No Frost</li> <li>• Home Connect</li> <li>• LED Lighting</li> <li>• Sliding Hinge</li> </ul> 

DESIGN FEATURES	KB7966DD0   N70	KB7962SE0   N50
Fridge / Freezer split	60/40	60/40
No Frost	•	•
Low Frost or Manual defrost		
Soft Close hinge		
Type of hinge (reversible)	Fixed hinge	Sliding hinge
Home Connect	•	•
FOOD FRESHNESS SYSTEM		
Fresh Safe	2 x Fresh Safe drawers	2 x Fresh Safe drawer
KEY FEATURES – FRIDGE SECTION		
Light	LED	LED
Super Cool function	•	•
Type of control	Electronic	Electronic
Number of shelves	5	5
Number of adjustable shelves	4	4
Number of door bins / shelves	7	7
Type of shelves	Safety glass	Safety glass
Temperature display	Digital LED	Digital LED
Warning signal door open	•	•
Bottle shelves in fridge	•	•
KEY FEATURES – FREEZER SECTION		
Super Freeze function	•	•
Temperature adjustable in freezer	•	•
Number of ice cube trays	1	1
Number of freezer drawers	3	3
ADDITIONAL INFORMATION		
Energy efficiency class		
Energy consumption <sup>1</sup> kWh/annum	204	256
Total net capacity L	381	383
Refrigerator net capacity L	283	285
Freezer net capacity L	98	98
Climate class <sup>2</sup>	SN-ST	SN-ST
Noise level dB (A) re 1 pW	33	34
Noise level class	B	B
Additional accessories included	3 x egg tray, 1 x ice cube tray, 1 x bottle holder/wire rack	3 x egg tray, 1 x ice cube tray, 1 x bottle holder/wire rack
Height of product mm	1935	1935
Width of product mm	708	691
Depth of product mm	548	548

XL 193.5CM TALL - 60/40

KI7962FD0   N50	KI7961SE0   N30
<ul style="list-style-type: none"> <li>• Extra Capacity</li> <li>• 2 Fresh Safe Drawers</li> <li>• No Frost</li> <li>• LED Lighting</li> <li>• Fixed Hinge</li> </ul> 	<ul style="list-style-type: none"> <li>• Extra Capacity</li> <li>• 1 Fresh Safe Drawer</li> <li>• No Frost</li> <li>• LED Lighting</li> <li>• Sliding Hinge</li> </ul> 





DESIGN FEATURES	KI7962FD0   N50	KI7961SE0   N30
Fridge / Freezer split	60/40	60/40
No Frost	•	•
Low Frost or Manual defrost		
Soft Close hinge		
Type of hinge (reversible)	Fixed hinge	Sliding hinge
Home Connect		
FOOD FRESHNESS SYSTEM		
Fresh Safe	2 x Fresh Safe drawers	1 x Fresh Safe drawer
KEY FEATURES – FRIDGE SECTION		
Light	LED	LED
Super Cool function	•	•
Type of control	Electronic	Electronic
Number of shelves	3	4
Number of adjustable shelves	3	4
Number of door bins / shelves	4	4
Type of shelves	Safety glass	Safety glass
Temperature display	Digital LED	Digital LED
Warning signal door open	•	•
Bottle shelves in fridge	•	•
KEY FEATURES – FREEZER SECTION		
Super Freeze function	•	•
Temperature adjustable in freezer	•	•
Number of ice cube trays	1	1
Number of freezer drawers	3	3
ADDITIONAL INFORMATION		
Energy efficiency class		
Energy consumption <sup>1</sup> kWh/annum	184	231
Total net capacity L	290	290
Refrigerator net capacity L	215	215
Freezer net capacity L	75	75
Climate class <sup>2</sup>	SN-ST	SN-ST
Noise level dB (A) re 1 pW	34	34
Noise level class	B	B
Additional accessories included	2 x egg tray, 1 x ice cube tray, 1 x bottle holder/wire rack	3 x egg tray, 1 x ice cube tray
Height of product mm	1935	1935
Width of product mm	558	541
Depth of product mm	548	548

<sup>1</sup> Actual energy consumption will depend on how the appliance is used and where it is located.  
<sup>2</sup> Climate zone SN = designed to operate in ambient temperature of +10°C to 32°C.  
 Climate zone T = designed to operate in ambient temperature of +18°C to 43°C.



# Built-In Fridge Freezers



177CM TALL - 70/30

KI6873FE0G   N70	KI5872FE0G   N50	KI5872SE0G   N50	KI5871SE0G   N30
<ul style="list-style-type: none"> <li>1 Fresh Safe 2 Drawer</li> <li>Low Frost</li> </ul>	<ul style="list-style-type: none"> <li>1 Fresh Safe Drawer</li> <li>Low Frost</li> </ul>	<ul style="list-style-type: none"> <li>1 Fresh Safe Drawer</li> <li>Low Frost</li> </ul>	<ul style="list-style-type: none"> <li>1 Fresh Safe Drawer</li> <li>Low Frost</li> </ul>
<ul style="list-style-type: none"> <li>Fixed Hinge</li> </ul>	<ul style="list-style-type: none"> <li>Fixed Hinge</li> </ul>	<ul style="list-style-type: none"> <li>Sliding Hinge</li> </ul>	<ul style="list-style-type: none"> <li>Sliding Hinge</li> </ul>
			

DESIGN FEATURES				
Fridge / Freezer split	70/30	70/30	70/30	70/30
No Frost				
Low Frost or Manual defrost	Low Frost	Low Frost	Low Frost	Low Frost
Soft Close hinge				
Type of hinge (reversible)	Fixed hinge	Fixed hinge	Sliding hinge	Sliding hinge
Home Connect				
FOOD FRESHNESS SYSTEM				
Fresh Safe	1 x Fresh Safe 2 drawer	1 x Fresh Safe drawer	1 x Fresh Safe drawer	1 x Fresh Safe drawer
KEY FEATURES – FRIDGE SECTION				
Light	LED	LED	LED	LED
Super Cool function	●			●
Type of control	Electronic	Electronic	Electronic	Electronic
Number of shelves	5	5	5	5
Number of adjustable shelves	4	4	4	5
Number of door bins / shelves	5	4	4	4
Type of shelves	Safety glass	Safety glass	Safety glass	Safety glass
Temperature display	Digital LED	Digital LED	Digital LED	Digital LED
Warning signal door open	●	●	●	●
Bottle shelves in fridge	●			
KEY FEATURES – FREEZER SECTION				
Super Freeze function	●	●	●	●
Temperature adjustable in freezer	●			
Number of ice cube trays	1	1	1	1
Number of freezer drawers	2	2	2	2
ADDITIONAL INFORMATION				
Energy efficiency class				
Energy consumption <sup>1</sup> kWh/annum	207	216	216	216
Total net capacity L	272	270	270	270
Refrigerator net capacity L	209	200	200	200
Freezer net capacity L	63	70	70	70
Climate class <sup>2</sup>	SN-T	SN-ST	SN-ST	SN-ST
Noise level dB(A) re 1 pW	36	35	35	35
Noise level class	C	B	B	B
Additional accessories included	2 x egg tray, 1 x ice cube tray, 1 x bottle holder in door tray	2 x egg tray, 1 x ice cube tray	2 x egg tray, 1 x ice cube tray	3 x egg tray, 1 x ice cube tray
Height of product mm	1772	1772	1772	1772
Width of product mm	558	541	541	541
Depth of product mm	545	545	545	548

177CM TALL - 60/40

KI7863DD0G   N70	KI6863FE0G   N70
<ul style="list-style-type: none"> <li>2 Fresh Safe Drawers</li> <li>No Frost</li> </ul>	<ul style="list-style-type: none"> <li>1 Fresh Safe 2 Drawer</li> <li>Low Frost</li> </ul>
<ul style="list-style-type: none"> <li>Fixed Hinge / Soft Close Hinge</li> </ul>	<ul style="list-style-type: none"> <li>Fixed Hinge</li> </ul>
	

DESIGN FEATURES		
Fridge / Freezer split	60/40	60/40
No Frost	●	
Low Frost or Manual defrost		Low Frost
Soft Close hinge	●	
Type of hinge (reversible)	Fixed hinge	Fixed hinge
Home Connect		
FOOD FRESHNESS SYSTEM		
Fresh Safe	2 x Fresh Safe drawers	1 x Fresh Safe 2 drawer
KEY FEATURES – FRIDGE SECTION		
Light	LED	LED
Super Cool function	●	●
Type of control	Electronic	Electronic
Number of shelves	3	4
Number of adjustable shelves	1	4
Number of door bins / shelves	4	5
Type of shelves	Safety glass	Safety glass
Temperature display	Digital LED	Digital LED
Warning signal door open	●	●
Bottle shelves in fridge	●	●
KEY FEATURES – FREEZER SECTION		
Super Freeze function	●	●
Temperature adjustable in freezer	●	●
Number of ice cube trays	1	1
Number of freezer drawers	3	3
ADDITIONAL INFORMATION		
Energy efficiency class		
Energy consumption <sup>1</sup> kWh/annum	186	219
Total net capacity L	260	266
Refrigerator net capacity L	184	192
Freezer net capacity L	76	74
Climate class <sup>2</sup>	SN-ST	SN-ST
Noise level dB(A) re 1 pW	35	36
Noise level class	B	C
Additional accessories included	3 x egg tray, 1 x ice cube tray, 1 x bottle holder/wire rack	2 x egg tray, 1 x ice cube tray, 1 x bottle holder in door tray
Height of product mm	1772	1772
Width of product mm	558	558
Depth of product mm	548	545

<sup>1</sup> Actual energy consumption will depend on how the appliance is used and where it is located.  
<sup>2</sup> Climate zone SN = designed to operate in ambient temperature of +10°C to 32°C.  
Climate zone T = designed to operate in ambient temperature of +18°C to 43°C.



# Built-In Fridge Freezers

177CM TALL - 60/40

KI7862FE0G   N50	KI7862SE0G   N50	KI5862SE0G   N50
<ul style="list-style-type: none"> <li>• 2 Fresh Safe Drawers</li> <li>• No Frost</li> </ul>	<ul style="list-style-type: none"> <li>• 2 Fresh Safe Drawers</li> <li>• No Frost</li> </ul>	<ul style="list-style-type: none"> <li>• 1 Fresh Safe Drawer</li> <li>• Low Frost</li> </ul>
<ul style="list-style-type: none"> <li>• Fixed Hinge</li> </ul>	<ul style="list-style-type: none"> <li>• Sliding Hinge</li> </ul>	<ul style="list-style-type: none"> <li>• Sliding Hinge</li> </ul>

DESIGN FEATURES			
Fridge / Freezer split	60/40	60/40	60/40
No Frost	•	•	
Low Frost or Manual defrost			Low Frost
Soft Close hinge			
Type of hinge (reversible)	Fixed hinge	Sliding hinge	Sliding hinge
Home Connect			
FOOD FRESHNESS SYSTEM			
Fresh Safe	2 x Fresh Safe drawers	1 x Fresh Safe drawer	1 x Fresh Safe drawer
KEY FEATURES – FRIDGE SECTION			
Light	LED	LED	LED
Super Cool function	•	•	•
Type of control	Electronic	Electronic	Electronic
Number of shelves	3	3	4
Number of adjustable shelves	3	3	3
Number of door bins / shelves	4	4	4
Type of shelves	Safety glass	Safety glass	Safety glass
Temperature display	Digital LED	Digital LED	Digital LED
Warning signal door open	•	•	•
Bottle shelves in fridge	•	•	•
KEY FEATURES – FREEZER SECTION			
Super Freeze function	•	•	•
Temperature adjustable in freezer			
Number of ice cube trays	1	1	1
Number of freezer drawers	3	3	3
ADDITIONAL INFORMATION			
Energy efficiency class	A G E	A G E	A G E
Energy consumption <sup>1</sup> kWh/annum	234	234	229
Total net capacity L	260	260	269
Refrigerator net capacity L	184	184	184
Freezer net capacity L	76	76	85
Climate class <sup>2</sup>	SN-ST	SN-ST	SN-ST
Noise level dB(A) re 1 pW	35	35	35
Noise level class	B	B	B
Additional accessories included	2 x egg tray, 1 x ice cube tray, 1 x bottle holder/wire rack	3 x egg tray, 1 x ice cube tray, 1 x bottle holder/wire rack	2 x egg tray, 1 x ice cube tray
Height of product mm	1772	1772	1772
Width of product mm	541	541	541
Depth of product mm	548	548	545

177CM TALL - 60/40

177CM TALL - 50/50

KI7861FE0G   N30	KI7861SE0G   N30	KI7851FE0G   N30	KI7851SE0G   N30
<ul style="list-style-type: none"> <li>• 1 Fresh Safe Drawer</li> <li>• No Frost</li> </ul>	<ul style="list-style-type: none"> <li>• 1 Fresh Safe Drawer</li> <li>• No Frost</li> </ul>	<ul style="list-style-type: none"> <li>• 1 Fresh Safe Drawer</li> <li>• No Frost</li> </ul>	<ul style="list-style-type: none"> <li>• 1 Fresh Safe Drawer</li> <li>• No Frost</li> </ul>
<ul style="list-style-type: none"> <li>• Fixed Hinge</li> </ul>	<ul style="list-style-type: none"> <li>• Sliding Hinge</li> </ul>	<ul style="list-style-type: none"> <li>• Fixed Hinge</li> </ul>	<ul style="list-style-type: none"> <li>• Sliding Hinge</li> </ul>

DESIGN FEATURES			
Fridge / Freezer split	60/40	60/40	50/50
No Frost	•	•	•
Low Frost or Manual defrost			Low Frost
Soft Close hinge			
Type of hinge (reversible)	Fixed hinge	Sliding hinge	Sliding hinge
Home Connect			
FOOD FRESHNESS SYSTEM			
Fresh Safe	1 x Fresh Safe drawer	1 x Fresh Safe drawer	1 x Fresh Safe drawer
KEY FEATURES – FRIDGE SECTION			
Light	LED	LED	LED
Super Cool function	•	•	•
Type of control	Electronic	Electronic	Electronic
Number of shelves	4	4	3
Number of adjustable shelves	3	3	2
Number of door bins / shelves	3	3	2
Type of shelves	Safety glass	Safety glass	Safety glass
Temperature display	Digital LED	Digital LED	Digital LED
Warning signal door open	•	•	•
Bottle shelves in fridge	•	•	•
KEY FEATURES – FREEZER SECTION			
Super Freeze function	•	•	•
Temperature adjustable in freezer			
Number of ice cube trays	1	1	1
Number of freezer drawers	3	3	4
ADDITIONAL INFORMATION			
Energy efficiency class	A G E	A G E	A G E
Energy consumption <sup>1</sup> kWh/annum	234	234	239
Total net capacity L	260	260	249
Refrigerator net capacity L	184	184	150
Freezer net capacity L	76	76	99
Climate class <sup>2</sup>	SN-ST	SN-ST	SN-ST
Noise level dB(A) re 1 pW	35	35	39
Noise level class	B	B	C
Additional accessories included	3 x egg tray, 1 x ice cube tray	3 x egg tray, 1 x ice cube tray	3 x egg tray, 1 x ice cube tray
Height of product mm	1772	1772	1772
Width of product mm	541	541	541
Depth of product mm	548	548	548

<sup>1</sup> Actual energy consumption will depend on how the appliance is used and where it is located.  
<sup>2</sup> Climate zone SN = designed to operate in ambient temperature of +10°C to 32°C.  
 Climate zone T = designed to operate in ambient temperature of +18°C to 43°C.

# Built-In Single Door Fridges & Freezers

## 177CM TALL FRIDGES

KI8815OD0   N90	KI1813FE0G   N70	KI2822FE0G   N50	KI1812FE0G   N50
<ul style="list-style-type: none"> <li>• 3 x Fresh Safe drawers</li> <li>• Home Connect</li> <li>• Fixed hinge / Soft Close Hinge</li> </ul>	<ul style="list-style-type: none"> <li>• 2 x Fresh Safe drawers</li> <li>• Fixed hinge</li> </ul>	<ul style="list-style-type: none"> <li>• 2 x Fresh Safe drawers</li> <li>• Low Frost</li> <li>• Fixed hinge</li> </ul>	<ul style="list-style-type: none"> <li>• 2 x Fresh Safe drawers</li> <li>• Fixed hinge</li> </ul>
			

DESIGN FEATURES				
No Frost				
Low Frost or Manual defrost			•	
Soft Close hinge	•			
Type of hinge (reversible)	Fixed hinge	Fixed hinge	Fixed hinge	Fixed hinge
Home Connect	•			
FOOD FRESHNESS SYSTEM				
Fresh Safe	3 x Fresh Safe drawers	2 x Fresh Safe drawers	2 x Fresh Safe drawers	2 x Fresh Safe drawers
KEY FEATURES – FRIDGE SECTION				
Light	LED	LED	LED	LED
Super Cool function	•	•	•	•
Type of control	Electronic	Electronic	Electronic	Electronic
Number of shelves	7	7	4	6
Number of adjustable shelves	5	6	4	6
Number of door bins / shelves	6	6	5	5
Type of shelves	Safety glass	Safety glass	Safety glass	Safety glass
Temperature display	Digital LED	Digital LED	Digital LED	Digital LED
Warning signal door open	•	•	•	•
Bottle shelves in fridge	•	•		•
KEY FEATURES – FREEZER SECTION				
Super Freeze function				
Temperature adjustable in freezer				
Number of ice cube trays			1	
Number of freezer drawers				
ADDITIONAL INFORMATION				
Energy efficiency class	A D	A E	A E	A E
Energy consumption <sup>1</sup> kWh/annum	120	115	177	114
Total net capacity L	289	319	280	310
Freezer net capacity L			34	
Climate class <sup>2</sup>	SN-T	SN-T	SN-ST	SN-ST
Noise level dB(A) re 1 pW	36	37	35	35
Noise level class	C	C	B	B
Additional accessories included	3 x egg tray, 1 x bottle flex shelf	2 x egg tray	3 x egg tray, 1 x ice cube tray	3 x egg tray, 1 x bottle flex shelf
Height of product mm	1772	1772	1772	1772
Width of product mm	558	558	541	541
Depth of product mm	545	545	548	548

## 177CM TALL FRIDGES

KI2821SE0G   N30	KI1811SE0G   N30	GI7815NE0   N90	GI7815CE0G   N90	GI7812EE0G   N50
<ul style="list-style-type: none"> <li>• 2 x Fresh Safe drawers</li> <li>• Low Frost</li> <li>• Sliding Hinge</li> </ul>	<ul style="list-style-type: none"> <li>• 2 x Fresh Safe drawers</li> <li>• Sliding Hinge</li> </ul>	<ul style="list-style-type: none"> <li>• No Frost</li> <li>• Home Connect</li> <li>• Fixed hinge/Soft Close Hinge</li> </ul>	<ul style="list-style-type: none"> <li>• No Frost</li> <li>• Home Connect</li> <li>• Fixed hinge/Soft Close Hinge</li> </ul>	<ul style="list-style-type: none"> <li>• No Frost</li> <li>• Fixed hinge</li> </ul>
				

DESIGN FEATURES					
No Frost			•	•	•
Low Frost or Manual defrost	•				
Soft Close hinge			•	•	
Type of hinge (reversible)	Sliding hinge	Sliding hinge	Fixed hinge	Fixed hinge	Fixed hinge
Home Connect			•	•	
FOOD FRESHNESS SYSTEM					
Fresh Safe	2 x Fresh Safe drawers	2 x Fresh Safe drawers			
KEY FEATURES – FRIDGE SECTION					
Light	LED	LED			
Super Cool function	•	•			
Type of control	Electronic	Electronic			
Number of shelves	5	6			
Number of adjustable shelves	4	5			
Number of door bins / shelves	5	5			
Type of shelves	Safety glass	Safety glass			
Temperature display	Digital LED	Digital LED			
Warning signal door open	•	•			
Bottle shelves in fridge		•			
KEY FEATURES – FREEZER SECTION					
Super Freeze function			•	•	•
Temperature adjustable in freezer			•	•	•
Number of ice cube trays	1		1	1	1
Number of freezer drawers			5	5	5
ADDITIONAL INFORMATION					
Energy efficiency class	A E	A E	A E	A E	A E
Energy consumption <sup>1</sup> kWh/annum	177	114	235	235	235
Total net capacity L	280	310	212	212	212
Freezer net capacity L	34		212	212	212
Climate class <sup>2</sup>	SN-ST	SN-ST	SN-T	SN-T	SN-T
Noise level dB(A) re 1 pW	35	35	35	35	35
Noise level class	B	B	B	B	B
Additional accessories included	3 x egg tray, 1 x ice cube tray	3 x egg tray	1 x ice cube tray	1 x ice cube tray	1 x ice cube tray
Height of product mm	1772	1772	1772	1772	1772
Width of product mm	541	541	558	558	558
Depth of product mm	548	548	545	545	545

<sup>1</sup> Actual energy consumption will depend on how the appliance is used and where it is located.  
<sup>2</sup> Climate zone SN = designed to operate in ambient temperature of +10°C to 32°C.  
 Climate zone T = designed to operate in ambient temperature of +18°C to 43°C.

# Built-in Single Door Fridges & Freezers


## 122CM TALL FRIDGES

KI1412FE0G   N50	KI1411SE0   N30
<ul style="list-style-type: none"> <li>• 1 x Fresh Safe drawer</li> <li>• Fixed hinge</li> </ul> 	<ul style="list-style-type: none"> <li>• 1 x Fresh Safe drawer</li> <li>• Sliding hinge</li> </ul> 

## 122CM TALL FREEZER

GI7416CE0   N70
<ul style="list-style-type: none"> <li>• No Frost</li> <li>• Sliding hinge / Soft Close Hinge</li> </ul> 
•
•
Sliding hinge
•
•
1
5

206
130
130
SN-T
36
C
1 x ice cube tray
1221
558
545

DESIGN FEATURES		
No Frost		
Low Frost or Manual defrost		
Soft Close hinge		
Type of hinge (reversible)	Fixed hinge	Sliding hinge
Home Connect		
FOOD FRESHNESS SYSTEM		
Fresh Safe	1 x Fresh Safe drawer	1 x Fresh Safe drawer
KEY FEATURES – FRIDGE SECTION		
Light	LED	LED
Super Cool function	•	•
Type of control	Electronic	Electronic
Number of shelves	5	5
Number of adjustable shelves	4	4
Number of door bins / shelves	4	4
Type of shelves	Safety glass	Safety glass
Temperature display	digital LED	digital LED
Warning signal door open	•	•
Bottle shelves in fridge	•	•
KEY FEATURES – FREEZER SECTION		
Super Freeze function		
Temperature adjustable in freezer		
Number of ice cube trays		
Number of freezer drawers		
ADDITIONAL INFORMATION		
Energy efficiency class		
Energy consumption <sup>1</sup> kWh/annum	101	101
Total net capacity L	204	204
Freezer net capacity L		
Climate class <sup>2</sup>	SN-ST	SN-ST
Noise level dB(A) re 1 pW	35	35
Noise level class	B	B
Additional accessories included	2 x egg tray, 1 x bottle rack/wire shelf	3 x egg tray
Height of product mm	1221	1221
Width of product mm	541	541
Depth of product mm	548	548

<sup>1</sup> Actual energy consumption will depend on how the appliance is used and where it is located.  
<sup>2</sup> Climate zone SN = designed to operate in ambient temperature of +10°C to 32°C.  
 Climate zone T = designed to operate in ambient temperature of +18°C to 43°C.

## Built-in Single Door Fridges & Freezers

**102CM TALL FRIDGE**

**KI1311SE0 | N30**

- 1 x Fresh Safe drawer
- Sliding hinge



**5**  
years warranty

**87CM TALL FRIDGE**

**KI1212FE0G | N50**

- 1 x Fresh Safe drawer
- Fixed hinge



**5**  
years warranty

**87CM TALL FRIDGE**

**KI1211SE0G | N30**

- 1 x Fresh Safe drawer
- Sliding hinge



**5**  
years warranty



**87CM TALL FREEZER**



**GI1216DE0 | N50**

- Low Frost
- Home Connect
- Fixed hinge / Soft Close Hinge



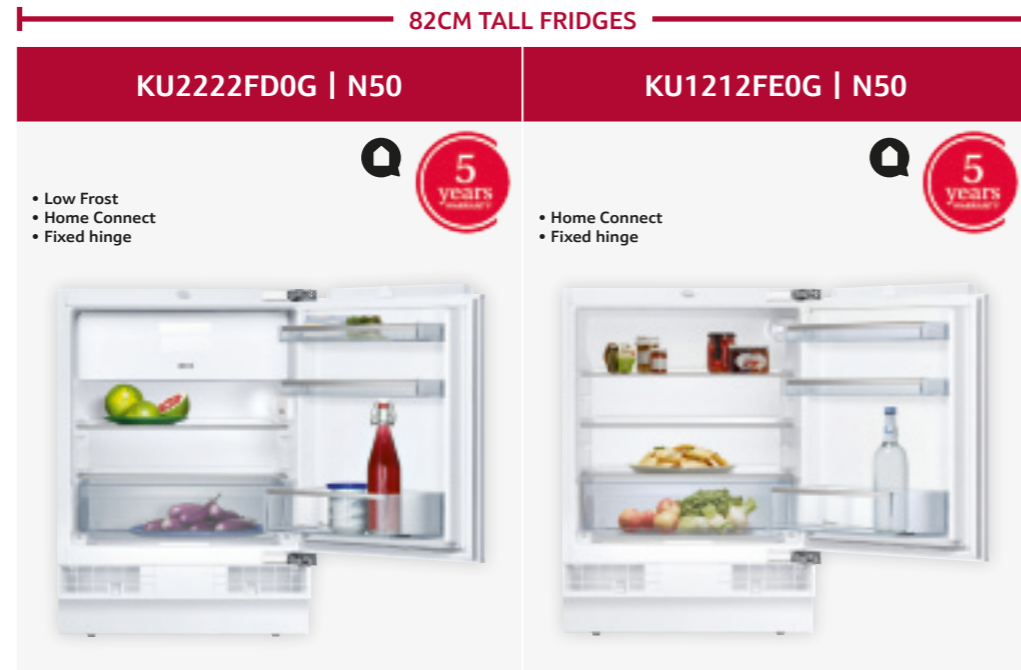
**5**  
years warranty

DESIGN FEATURES		
No Frost		
Low Frost or Manual defrost		
Soft Close hinge		
Type of hinge (reversible)	Sliding hinge	Fixed hinge
Home Connect		
FOOD FRESHNESS SYSTEM		
Fresh Safe	1 x Fresh Safe drawer	1 x Fresh Safe drawer
KEY FEATURES – FRIDGE SECTION		
Light	LED	LED
Super Cool function	•	•
Type of control	Electronic	Electronic
Number of shelves	4	3
Number of adjustable shelves	4	2
Type of shelves	3	2
Temperature display	Safety glass	Safety glass
Warning signal door open	Digital LED	Digital LED
Defrost system in fridge	•	•
Bottle shelves in fridge		•
KEY FEATURES – FREEZER SECTION		
Super Freeze function		•
Temperature adjustable in freezer		•
Number of ice cube trays		1
Number of freezer drawers		3
ADDITIONAL INFORMATION		
Energy efficiency class		
Energy consumption <sup>1</sup> kWh/annum	96	92
Total net capacity L	165	136
Freezer net capacity L		
Climate class <sup>2</sup>	SN-ST	SN-ST
Noise level dB(A) re 1 pW	35	35
Noise level class	B	B
Additional accessories included	3 x egg tray	3 x egg tray, 1 x bottle rack/wire shelf
Height of product mm	1021	874
Width of product mm	541	541
Depth of product mm	548	548

	Sliding hinge	Fixed hinge
	1 x Fresh Safe drawer	
KEY FEATURES – FRIDGE SECTION		
	LED	
	•	
	Electronic	
	3	
	2	
	2	
	Safety glass	
	Digital LED	
	•	
KEY FEATURES – FREEZER SECTION		
		•
		•
		1
		3
ADDITIONAL INFORMATION		
		
	92	176
	136	96
		96
	SN-ST	SN-T
	35	36
	B	C
	3 x egg tray	1 x ice cube tray
	874	874
	541	558
	542	545

<sup>1</sup> Actual energy consumption will depend on how the appliance is used and where it is located.  
<sup>2</sup> Climate zone SN = designed to operate in ambient temperature of +10°C to 32°C.  
Climate zone T = designed to operate in ambient temperature of +18°C to 43°C.

# Built-Under Single Door Fridges & Freezer



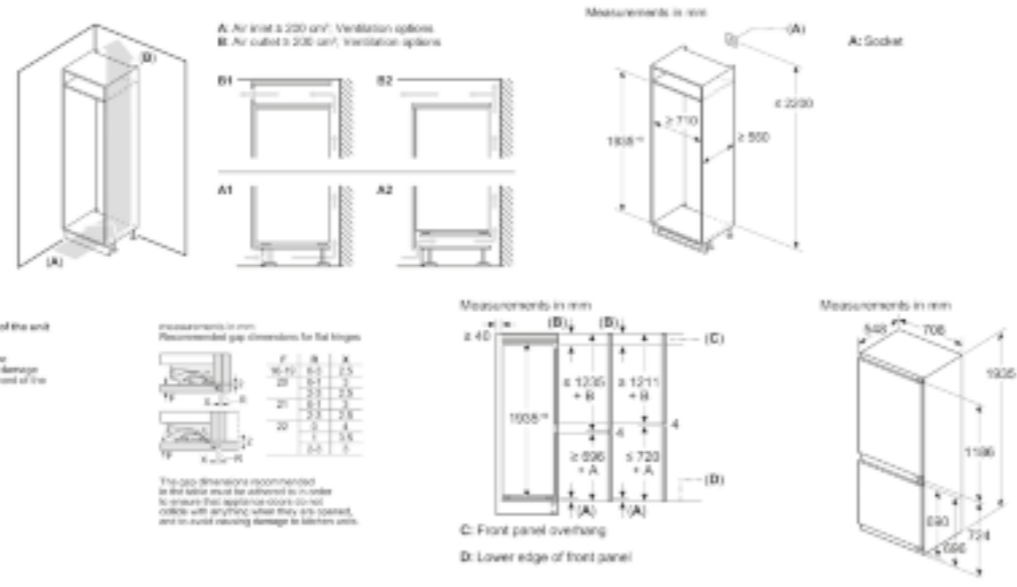
DESIGN FEATURES	KU2222FD0G   N50	KU1212FE0G   N50
No Frost		
Low Frost or Manual defrost	•	
Soft Close hinge		
Type of hinge (reversible)	Fixed hinge	Fixed hinge
Home Connect	•	•
FOOD FRESHNESS SYSTEM		
Fresh Safe		
KEY FEATURES – FRIDGE SECTION		
Light	LED	LED
Super Cool	•	•
Type of control	Electronic	Electronic
Number of shelves	3	3
Number of adjustable shelves	2	3
Number of door bins / shelves	3	2
Type of shelves	Safety glass	Safety glass
Temperature display	Digital LED	Digital LED
Warning signal door open	•	•
Bottle shelves in fridge		
KEY FEATURES – FREEZER SECTION		
Super Freeze function		
Temperature adjustable in freezer		
Number of ice cube trays	1	
Number of freezer drawers		
ADDITIONAL INFORMATION		
Energy efficiency class	<b>A</b> <b>D</b>	<b>A</b> <b>E</b>
Energy consumption <sup>1</sup> kWh/annum	119	93
Total net capacity L	110	134
Freezer net capacity L	17	
Climate class <sup>2</sup>	SN-T	SN-T
Noise level dB(A) re 1 pW	35	35
Noise level class	B	B
Additional accessories included	3 x egg tray	3 x egg tray
Height of product mm	820	820
Width of product mm	598	598
Depth of product mm	548	548

DESIGN FEATURES	GU7212FE0G   N50	GI1113FE0   N50
No Frost		
Low Frost or Manual defrost		
Soft Close hinge		
Type of hinge (reversible)	Fixed hinge	Fixed hinge
Home Connect	•	
FOOD FRESHNESS SYSTEM		
Fresh Safe		
KEY FEATURES – FRIDGE SECTION		
Light		
Super Cool		
Type of control		
Number of shelves		
Number of adjustable shelves		
Number of door bins / shelves		
Type of shelves		
Temperature display		
Warning signal door open		
Bottle shelves in fridge		
KEY FEATURES – FREEZER SECTION		
Super Freeze function	•	•
Temperature adjustable in freezer	•	•
Number of ice cube trays	1	1
Number of freezer drawers	3	3
ADDITIONAL INFORMATION		
Energy efficiency class	<b>A</b> <b>E</b>	<b>A</b> <b>E</b>
Energy consumption <sup>1</sup> kWh/annum	189	167
Total net capacity L	85	72
Freezer net capacity L		72
Climate class <sup>2</sup>	SN-T	SN-T
Noise level dB(A) re 1 pW	35	36
Noise level class	B	C
Additional accessories included	1 x ice cube tray	1 x ice cube tray
Height of product mm	820	712
Width of product mm	598	558
Depth of product mm	548	545

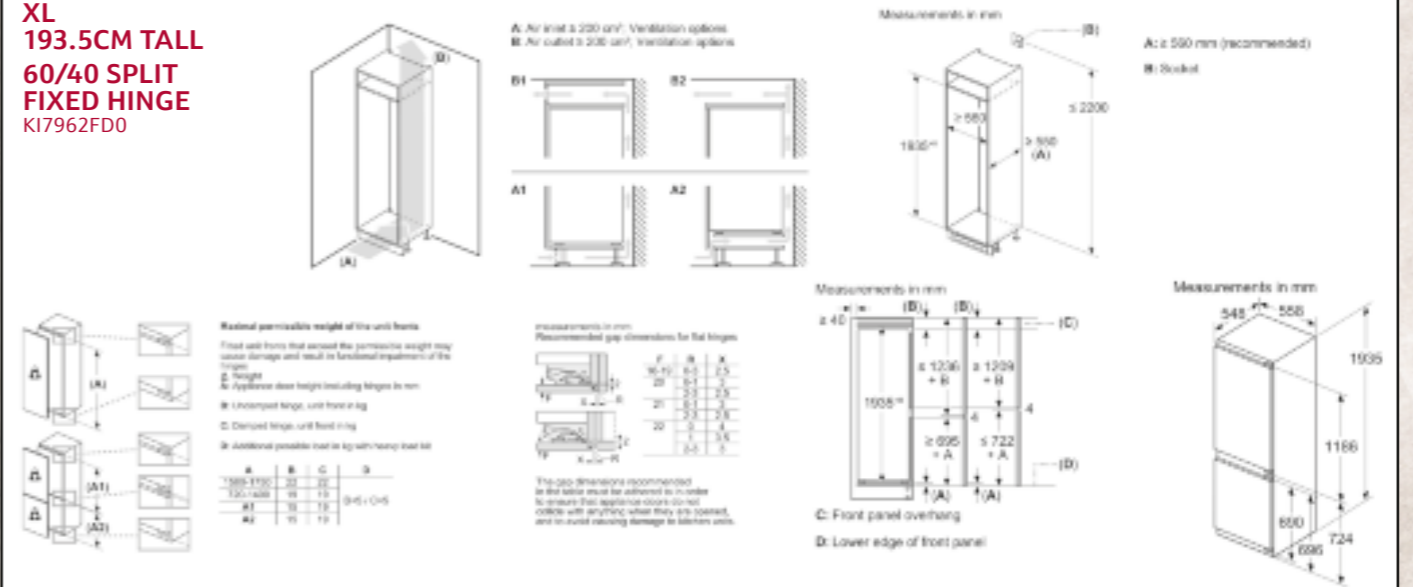
<sup>1</sup> Actual energy consumption will depend on how the appliance is used and where it is located.  
<sup>2</sup> Climate zone SN = designed to operate in ambient temperature of +10°C to 32°C.  
 Climate zone T = designed to operate in ambient temperature of +18°C to 43°C.

# XXL & XL Built-In Fridge Freezers

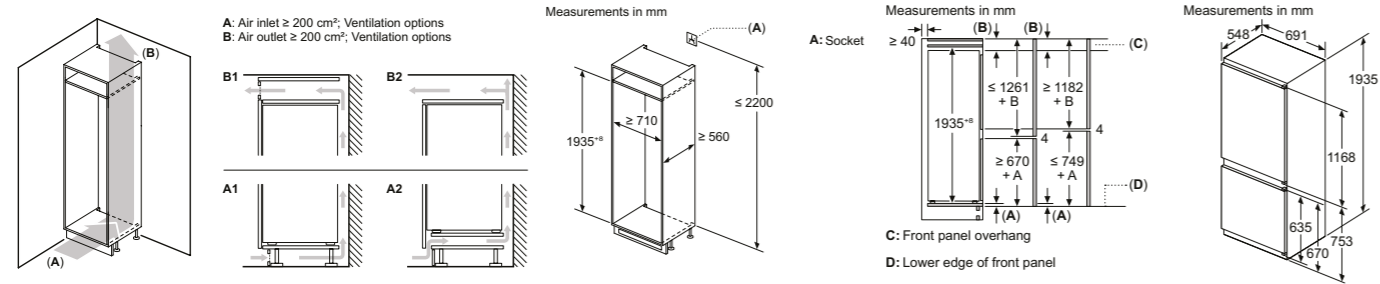
**XXL**  
**193.5CM TALL**  
**60/40 SPLIT**  
**SOFT CLOSE HINGE**  
**KB7966DD0**



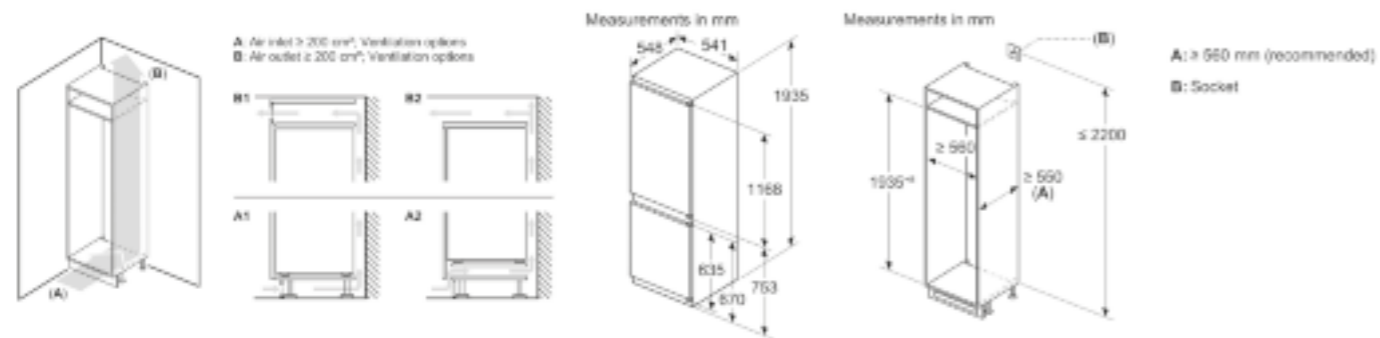
**XL**  
**193.5CM TALL**  
**60/40 SPLIT**  
**FIXED HINGE**  
**KI7962FD0**



**XXL**  
**193.5CM TALL**  
**60/40 SPLIT**  
**SLIDING HINGE**  
**KB7962SE0**

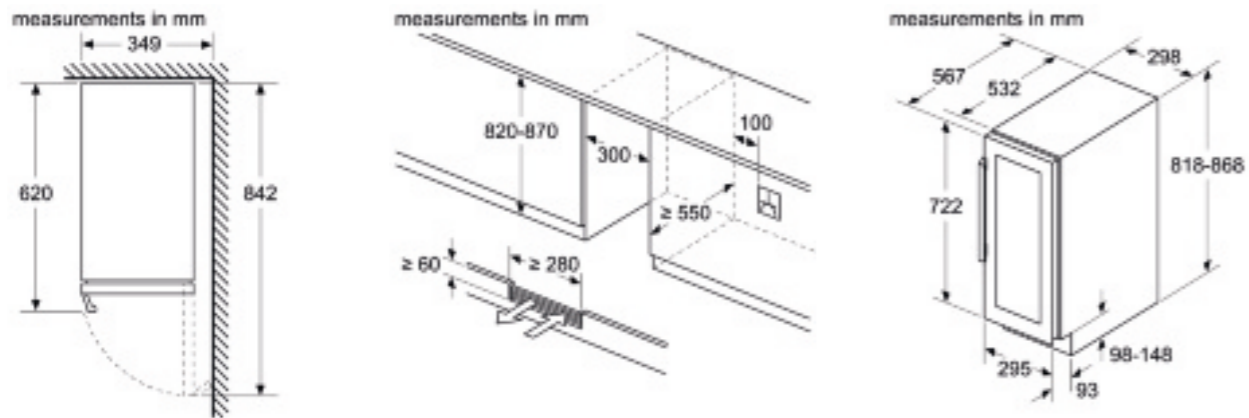


**XL**  
**193.5CM TALL**  
**60/40 SPLIT**  
**SLIDING HINGE**  
**KI7961SE0**

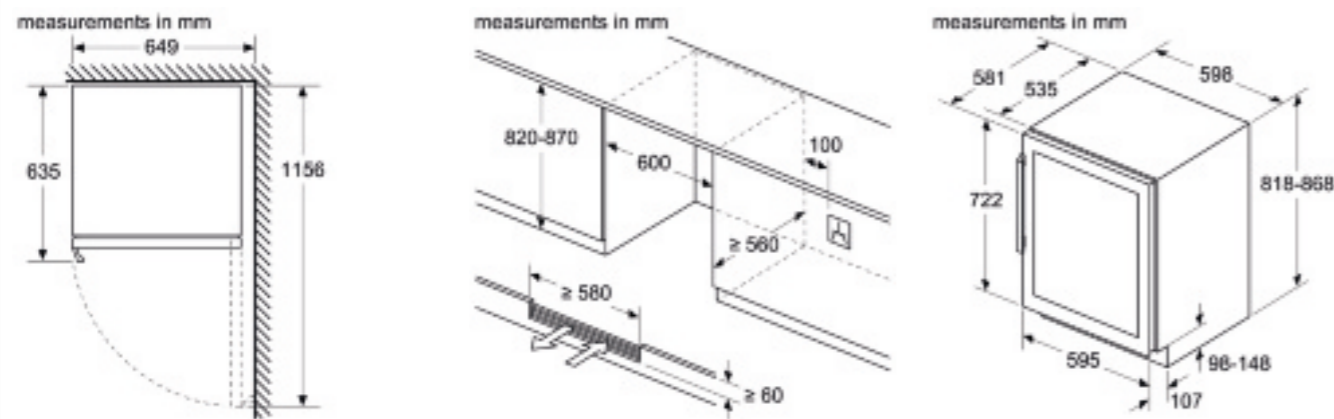


## Built Under Wine Cabinets

### 30CM WIDE KU9202HF0G

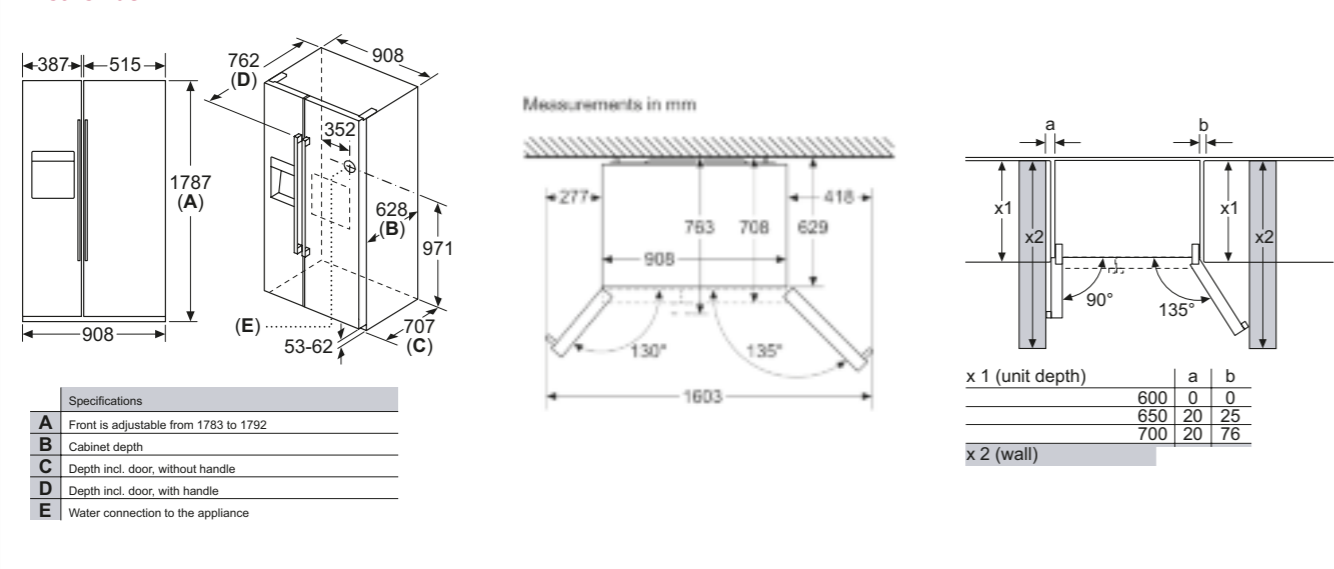


### 60CM WIDE KU9213HG0G



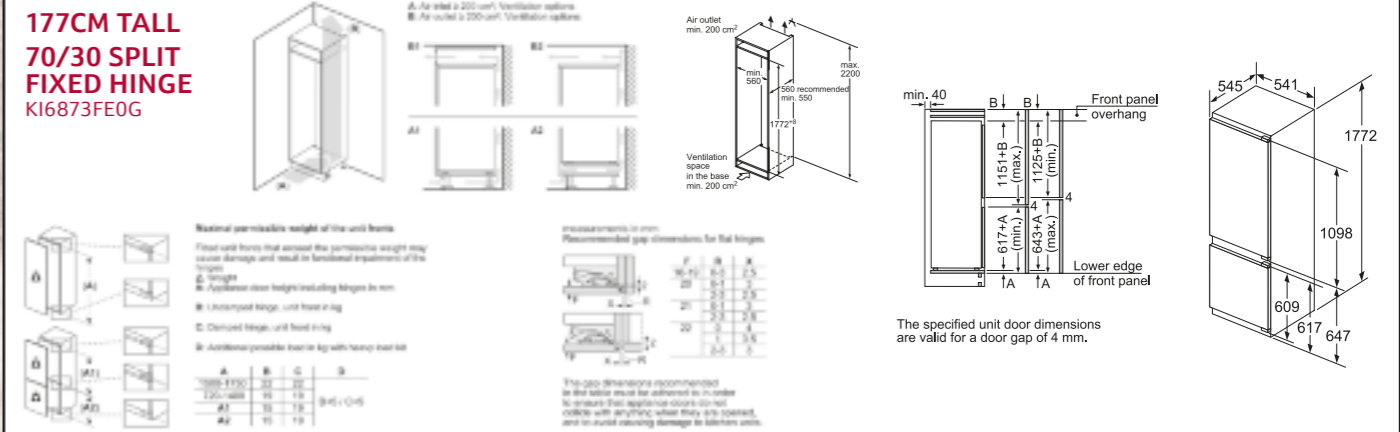
## American-Style Fridge Freezer

### KA3923IE0G

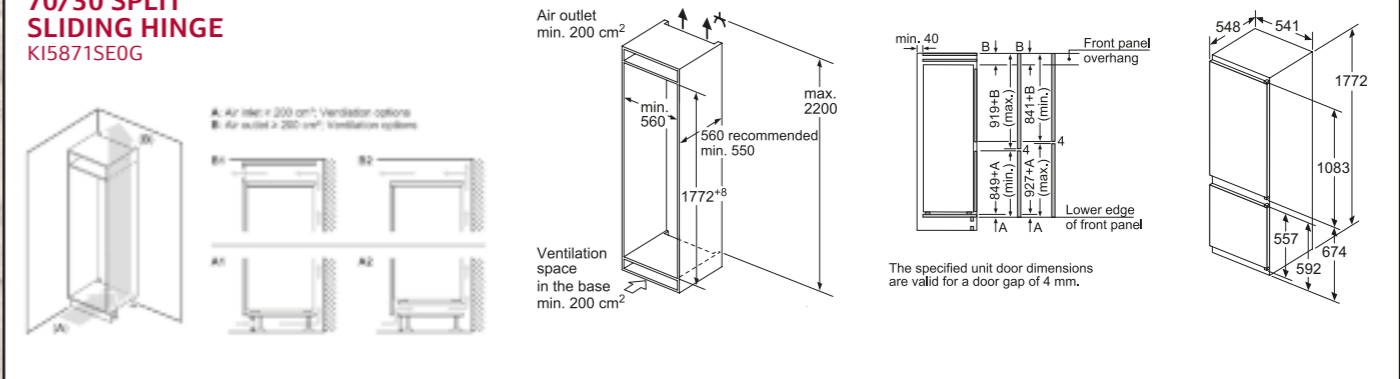


## Built-In Fridge Freezers

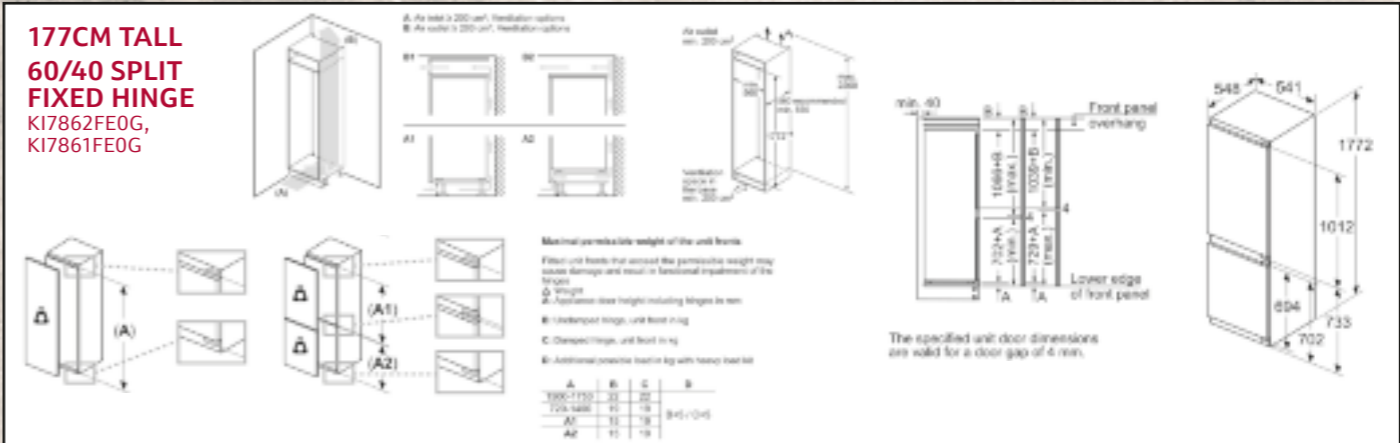
### 177CM TALL 70/30 SPLIT FIXED HINGE KI6873FE0G



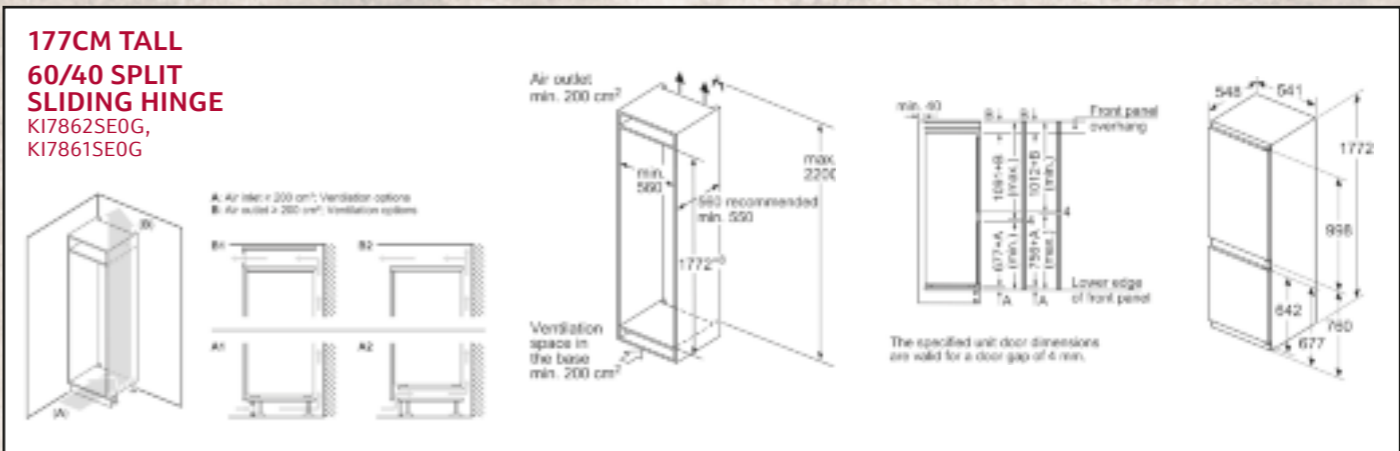
### 177CM TALL 70/30 SPLIT SLIDING HINGE KI5871SE0G



### 177CM TALL 60/40 SPLIT FIXED HINGE KI7862FE0G, KI7861FE0G

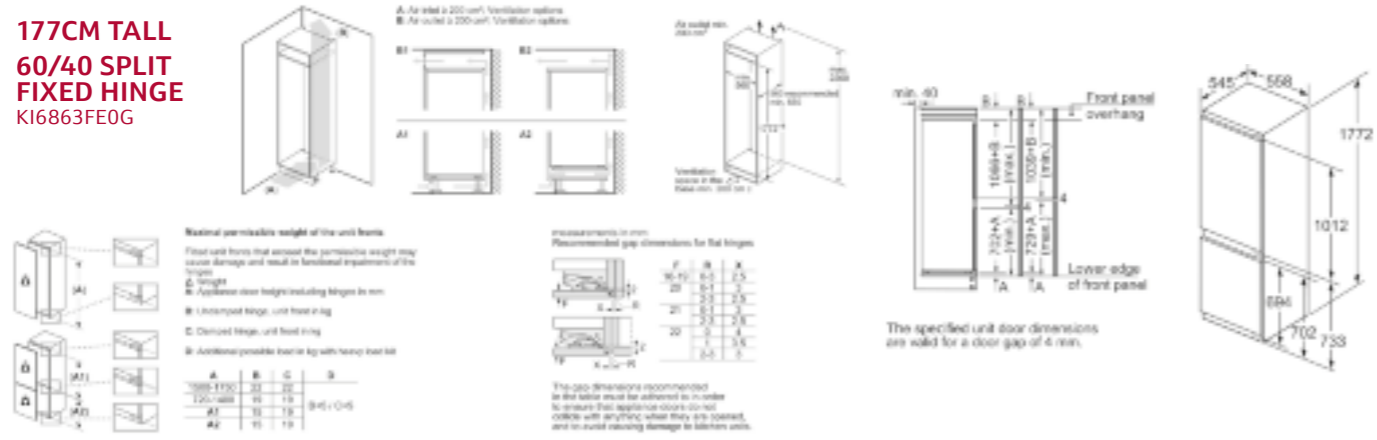


### 177CM TALL 60/40 SPLIT SLIDING HINGE KI7862SE0G, KI7861SE0G

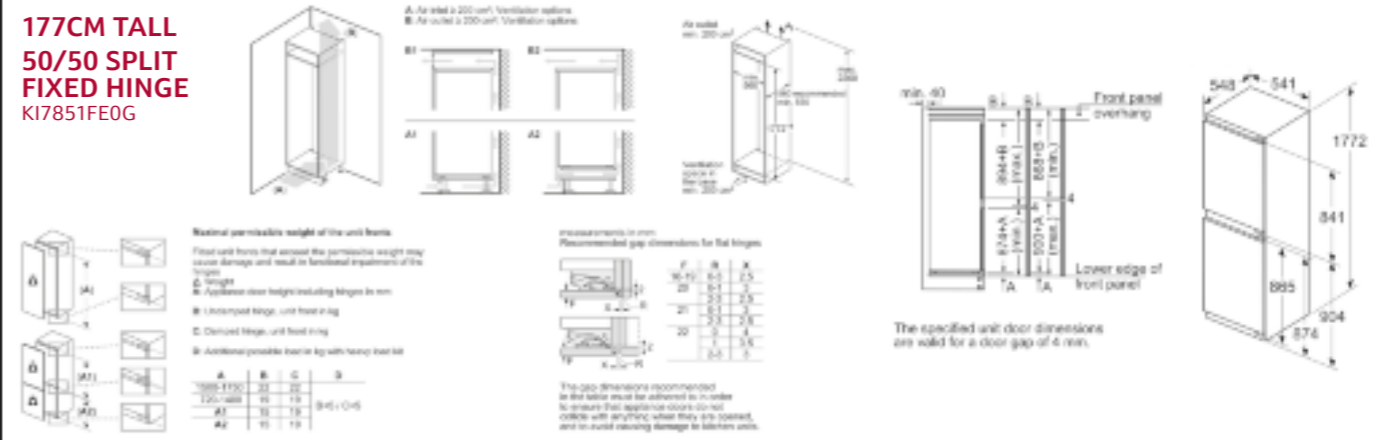


# Built-In Fridge Freezers

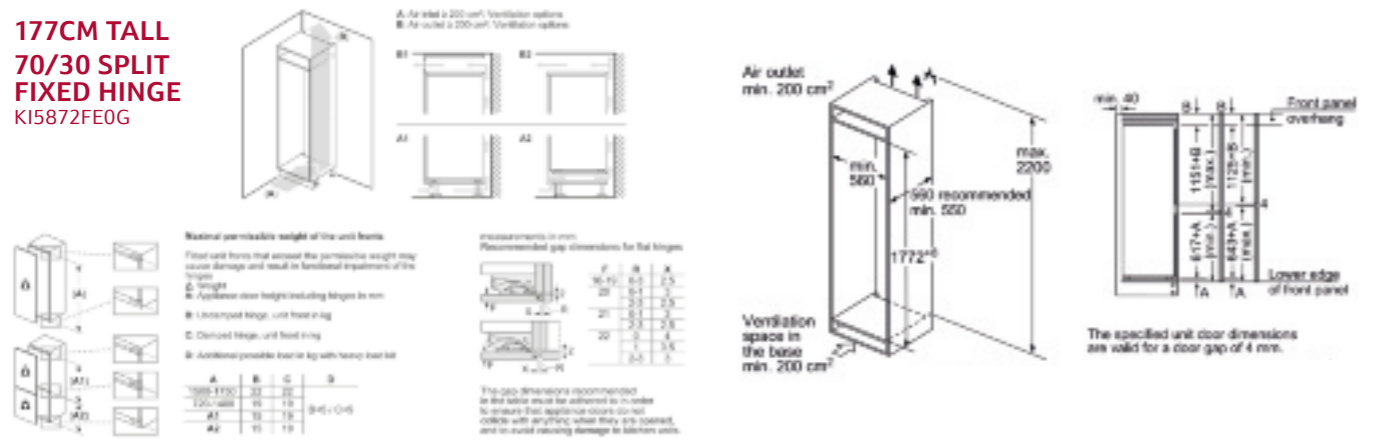
## 177CM TALL 60/40 SPLIT FIXED HINGE KI6863FE0G



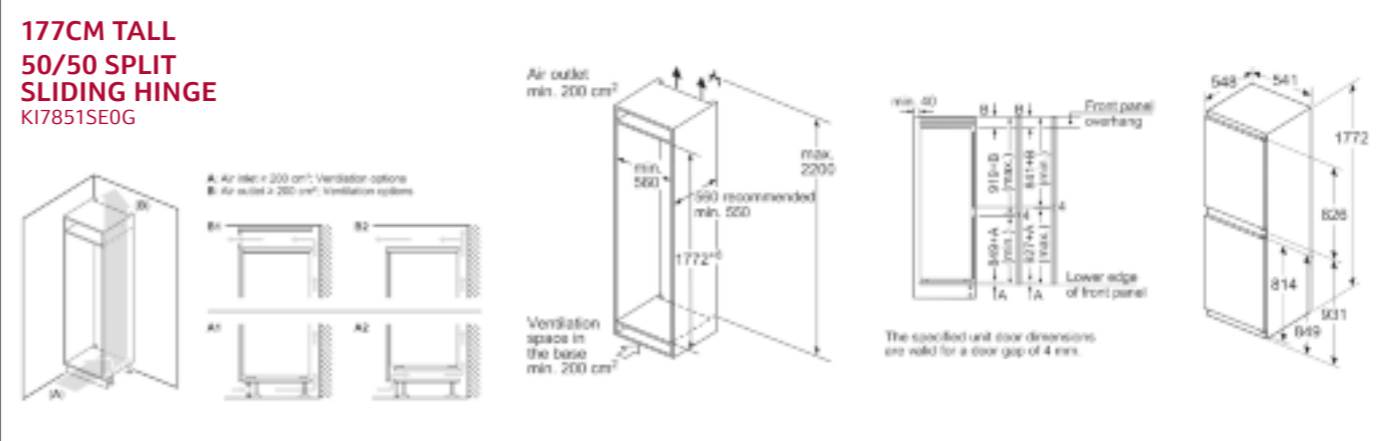
## 177CM TALL 50/50 SPLIT FIXED HINGE KI7851FE0G



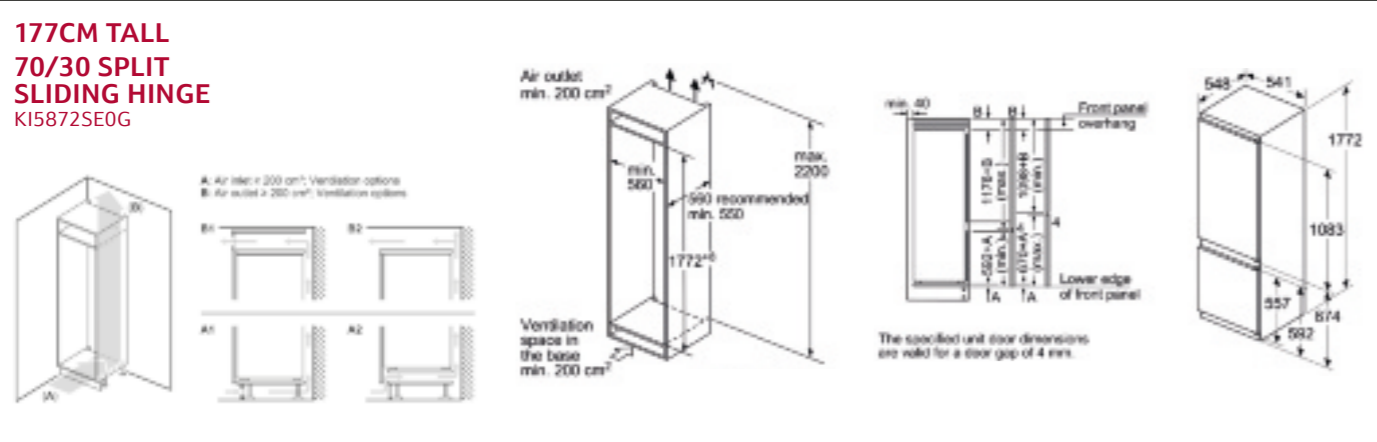
## 177CM TALL 70/30 SPLIT FIXED HINGE KI5872FE0G



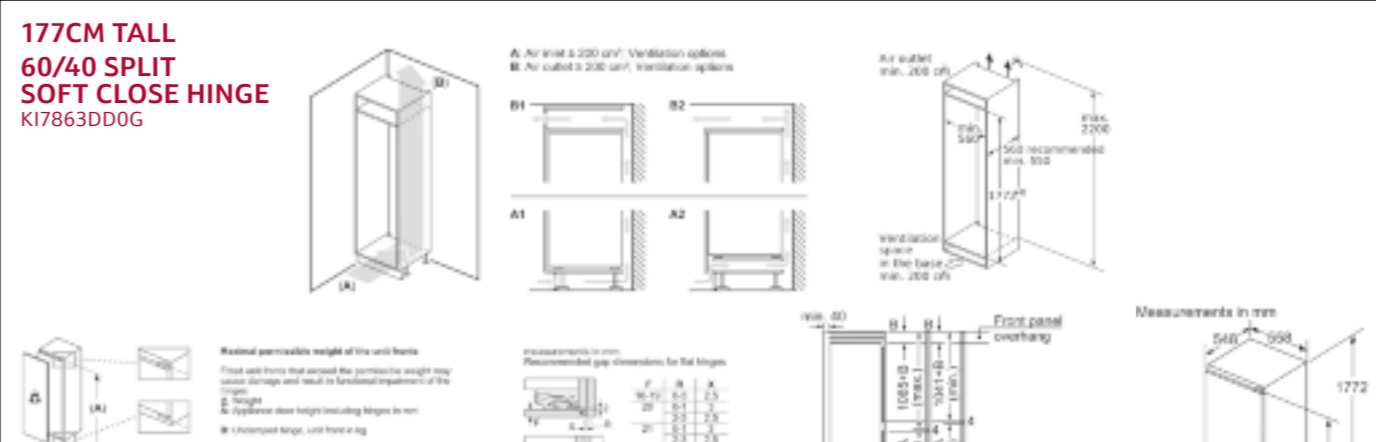
## 177CM TALL 50/50 SPLIT SLIDING HINGE KI7851SE0G



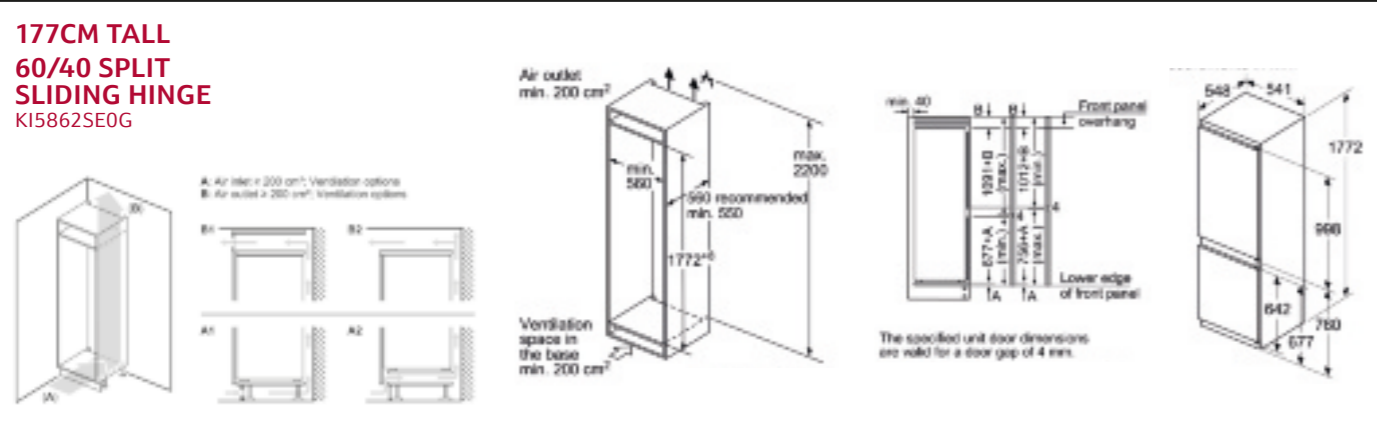
## 177CM TALL 70/30 SPLIT SLIDING HINGE KI5872SE0G



## 177CM TALL 60/40 SPLIT SOFT CLOSE HINGE KI7863DD0G



## 177CM TALL 60/40 SPLIT SLIDING HINGE KI5862SE0G





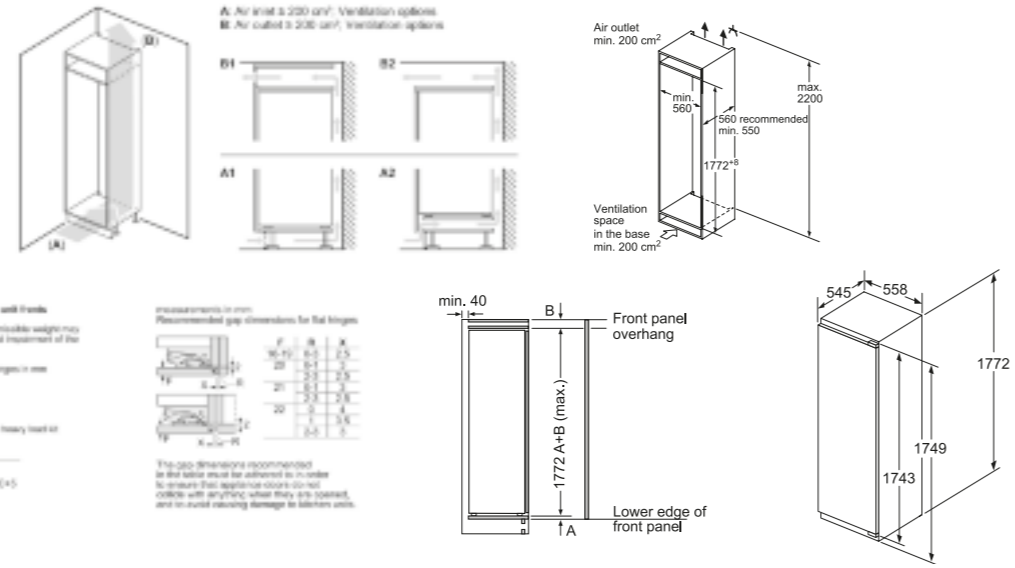
# Built-In Single Door Fridges & Freezers

## 177CM TALL FRIDGES

**FIXED HINGE**  
KI1813FE0, KI1812FE0G,  
KI2822FE0G - WITH 4\* ICE BOX

**DOOR OPEN ASSIST  
SOFT CLOSE HINGE**  
KI8815OD0

**SLIDING HINGE**  
KI1811SE0G, I2821SE0G - WITH  
4\* ICE BOX

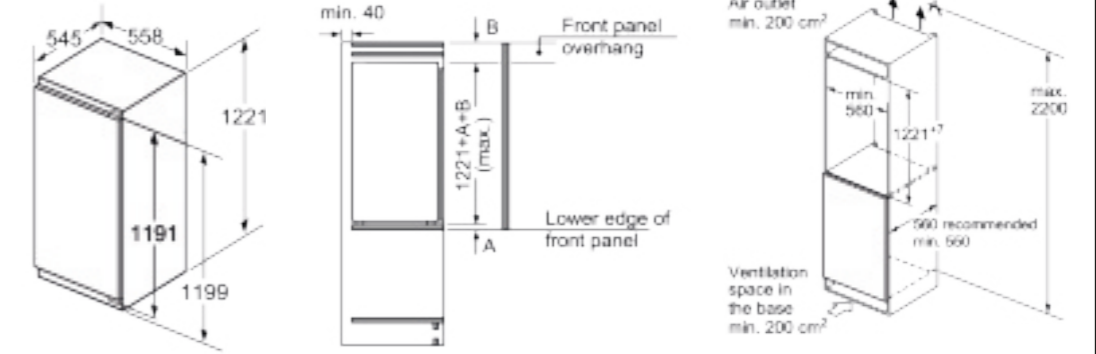


## 122CM TALL FRIDGES

**FIXED HINGE**  
KI1412FE0G

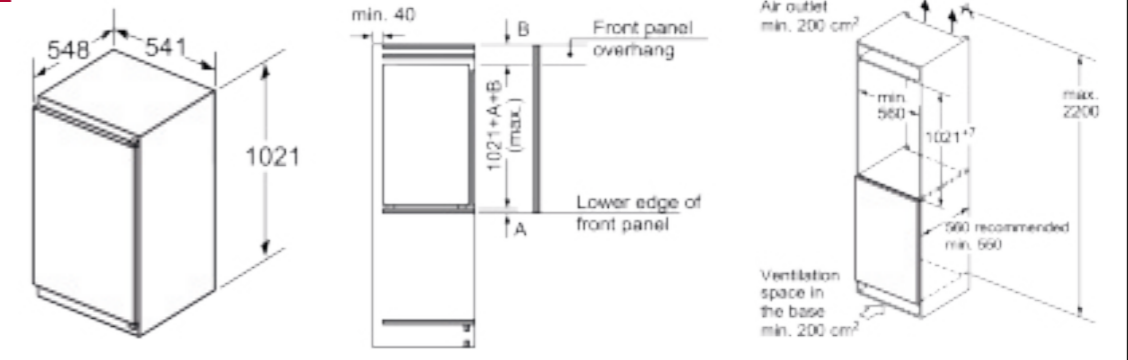
**SLIDING HINGE**  
KI1411SE0

**122CM TALL FREEZER  
SOFT CLOSE HINGE**  
GI7416CE0



## 102CM TALL FRIDGE

**SLIDING HINGE**  
KI1311SE0

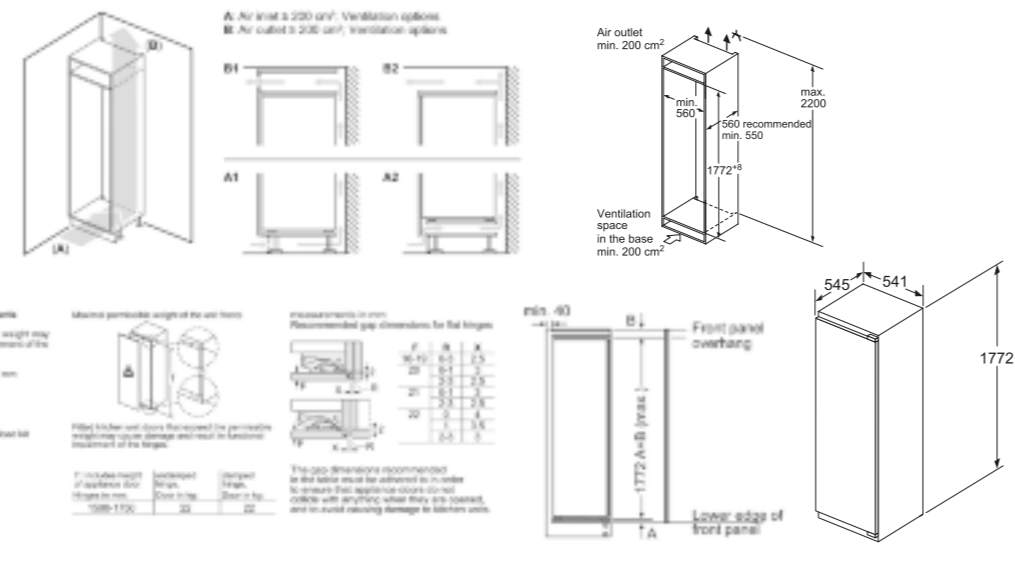


## 177CM TALL FREEZERS

**FIXED HINGE**  
GI7812EE0G

**SOFT CLOSE HINGE**  
GI7815CE0G

**DOOR OPEN ASSIST  
SOFT CLOSE HINGE**  
GI7815NE0

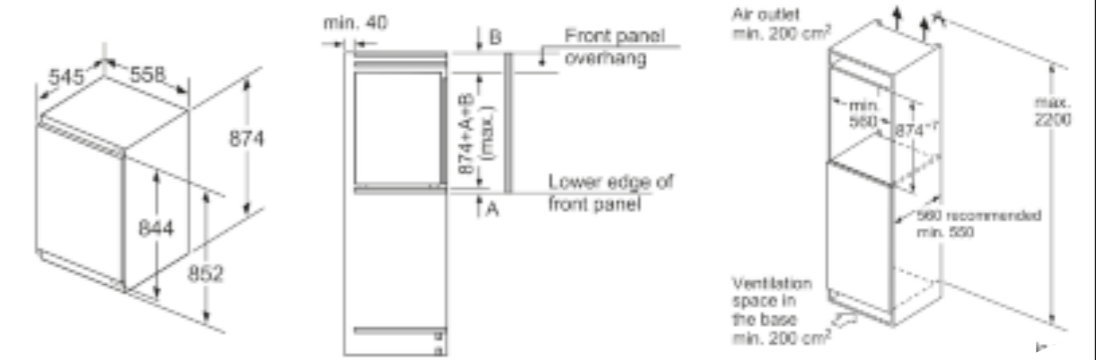


## 87CM TALL FRIDGES

**FIXED HINGE**  
KI1212FE0G

**SLIDING HINGE**  
KI1212FE0G

**87CM TALL FREEZER  
SOFT CLOSE HINGE**  
GI1216DE0



THE NEFF OVEN COLLECTIONS

HOBS

VENTILATION

REFRIGERATION

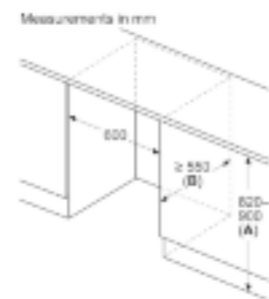
DISHWASHING

LAUNDRY

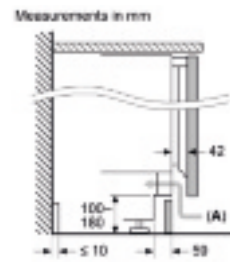
# Built-In Single Door Fridges & Freezers

**82CM TALL FRIDGES**  
**FIXED HINGE WITH ICE BOX**  
 KU2222FD0G  
**FIXED HINGE**  
 KU1212FE0G

**82CM TALL FREEZER**  
**FIXED HINGE**  
 GU7212FE0G

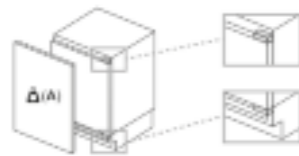


A: Substructure height  
 B:  $\geq 550$  mm (recommended)  
 Space for electrical connection next to the appliance on the left or right side



A: Air inlet  $\geq 200$  cm<sup>2</sup>

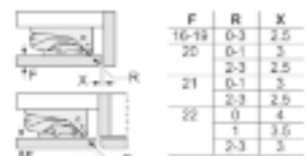
Maximal permissible weight of the unit fronts



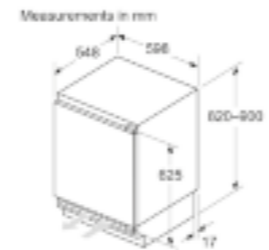
Fixed unit fronts that exceed the permissible weight may cause damage and result in functional impairment of the hinges

A: Weight  $\leq 12$  kg

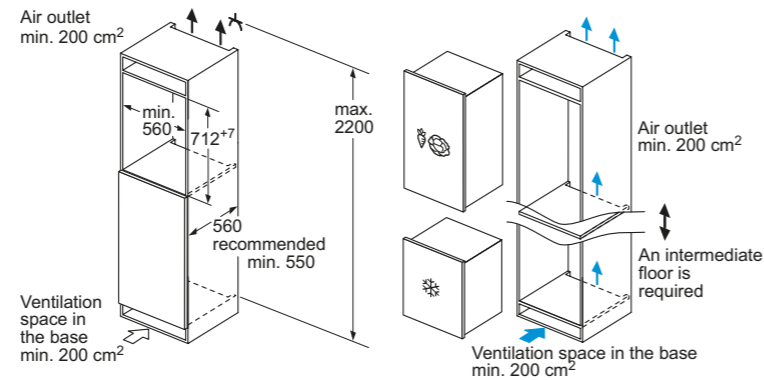
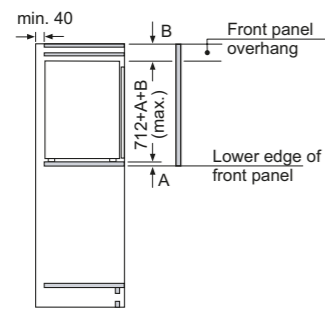
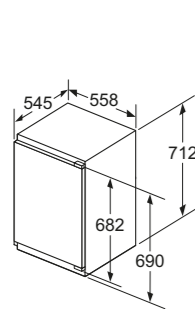
Measurements in mm  
 Recommended gap dimensions for flat hinges



The gap dimensions recommended in the table must be adhered to in order to ensure that appliance doors do not collide with anything when they are opened, and to avoid causing damage to kitchen units.



**72CM TALL FREEZER**  
**FIXED HINGE**  
 GI1113FE0



# NEFF DISHWASHER Range



## 5 Year Warranty

Peace of mind built-in – all of NEFF's dishwashers are covered by our **5 year** warranty – clearly marked in the matrix tables. Further warranty information can be found on NEFF Customer Service pages 184-185.

## Dishwasher Solutions



### Clean dishes, whatever your wishes

- Range includes fully integrated, semi-integrated and slimline.
- Flexible installation solutions including 81.5cm and 86.5cm Vario Hinge options.
- Comprehensive range of cleaning features including Chef 70°C and Eco 50°C as standard.



### Full Size Dishwashers

Designed to be as flexible and accommodating as possible, our full-sized dishwashers have adjustable baskets and racks to hold large or awkward items, as well as a choice of wash cycles, from intensive to delicate.



Featured model:  
S187ZCX03G  
N70 60cm Fully  
Integrated  
Dishwasher

### Slimline Dishwashers

Where space is an issue, our Slimline model **S875HKX21G** is ideal. Just 45cm wide, it fits into the smallest of spaces, but still offers all the features of a full size model. It's surprisingly roomy and able to cope with nine place settings at a time.



Featured model:  
S875HK21G N50  
45cm Fully Integrated  
Dishwasher

# Feature Highlights

- All dishwasher models come with Home Connect
- Water consumption – 60cm width 9.5L/45cm width 8.5L
- 10 year anti-rust warranty
- Noise level 42 -48dB

The models from the collections can include:

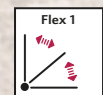
SERIES FUNCTIONS			
Product Function	N 70*	N 50*	N 30*
Flex 2 Baskets	•	•	
Flex 1 Baskets			•
Flex Cutlery Drawer	•	•	•
Number of Options	5	5	5
Timelight / Infolight	•/	•/•	/•
DoorOpen Assist	•	•	
Open Dry	•		
White Emotion Light	•		
Zeolith	•		
Intelligent			
Gap Illumination		•	
Vario Hinge		•	

\*The features included in each collection are an overview only. Please ensure you check the product detail for exact features of each model.

## Dishwasher Flexibility

### Flex Baskets

Fitting casserole dishes, large pans, full dinner sets and tall-stem wine glasses into a dishwasher can be a challenge – especially when you're cleaning your most robust cookware alongside delicate items. Our Flex Baskets are designed to accommodate those bulkier items and provide an even, thorough clean. We have two options of basket flexibility to choose from.



#### Flex 1

Two foldable flip tines in the top basket and two foldable flip tines in the bottom basket offer quick and easy loading flexibility for safe positioning of glasses, cups, pots and pans.



#### Flex 2

Two foldable flip tines in the top basket and four foldable flip tines in the bottom basket offer quick and easy loading flexibility for safe positioning of glasses, cups, pots and pans.



#### Flex 3

Six foldable flip tines in the top basket and eight foldable flip tines in the bottom basket offer quick and easy loading flexibility for safe positioning of glasses, cups, pots and pans.



#### Flex Cutlery Drawer

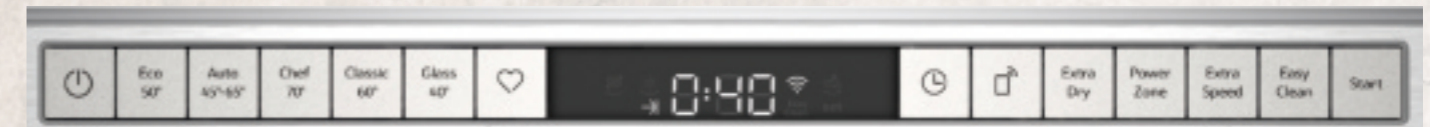
Transform your third loading level into a versatile cutlery drawer. It handily clicks into place whenever you need a tailor-made space for your forks, knives, and small kitchen utensils.



#### Rack-Matic

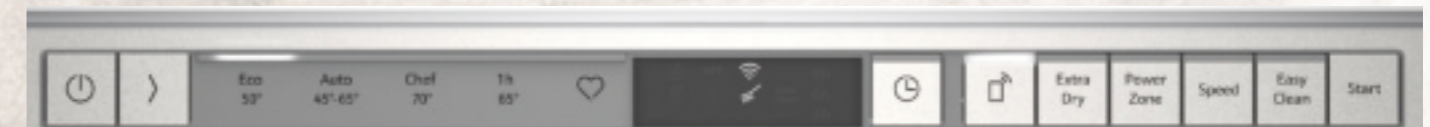
Allows the top basket to be raised and lowered as needed as well as run on an angle to cater for the wine glasses at the end of the night.

### Backlit Push Button Control with LED Display



FULLY INTEGRATED DISHWASHER 60CM WIDTH									
Description	No of Programmes	Energy Rating	Place Settings	Energy / Water Consumption	Noise Level	VarioHinge	DoorOpen Assist	Model Number	
Flex 3 Baskets with Zeolith	7	A	14	54kWh / 9.5L	43dB		•	S187TC800E	
Flex 2 Baskets with Zeolith	7	B	14	65kWh / 9L	40dB		•	S187ZCX03G	
Flex 2 Baskets with Vario Hinge, 86.5cm height	7	D	14	85kWh / 9L	42dB	86.5cm / Vario Hinge	•	S295HCX02G	
Flex 2 Baskets with Vario Hinge, 81.5cm height	7	D	14	85kWh / 9L	42dB	81.5cm / Vario Hinge	•	S195HCX02G	
Flex 1 Baskets with Vario Hinge, 81.5cm height	7	D	13	84kWh / 9L	46dB	81.5cm / Vario Hinge		S175HTX06G	
Flex 2 Baskets with Rack Matic and Time Light	7	C	14	75kWh / 9L	40dB			S155ECX07G	
Flex 2 Baskets with Rack Matic and Info Light	7	D	14	85kWh / 9L	46dB			S155HVX00G	
SEMI INTEGRATED DISHWASHER 60CM WIDTH									
Flex 1 Baskets with 24hr Time Delay	7	D	13	84kWh / 9L	46dB			S145HTS01G	
FULLY INTEGRATED SLIMLINE DISHWASHER 45CM WIDTH									
Flex 1 Baskets with Rack Matic and Info Light	7	B	10	76kWh / 8.9L	44dB	81.5cm / Vario Hinge		S875HKX21G	

### Toggle Control with LED Display



FULLY INTEGRATED DISHWASHER 60CM WIDTH						
Features	No of Programmes	Energy Rating	Place Settings	Energy / Water Consumption	Noise Level	Model Number
Flex 1 Baskets with Info Light	6	D	13	84kWh / 9L	42dB	S153HKX03G
Normal Baskets with Info Light	6	D	13	84kWh / 9L	46dB	S153HTX02G
Normal Baskets with Info Light	6	E	12	92kWh / 10.5L	50dB	S153ITX02G
Accessories						Model Number
Decor strip - For full size Polinox base models, 81.5cm height						Z780BI02
Decor strip - For full size and slimline Stainless Steel base models, 81.5cm height						Z780BI01
Decor strip - For full size Stainless Steel base models, 86.5cm height						Z780BI11
Decor strip - For full size Stainless Steel base models installed off the ground, 81.5cm height						Z7860X3
Decor strip - For full size Stainless Steel base models installed off the ground, 86.5cm height						Z7861X3
Split door furniture connection rail						Z788BI00
Cutlery Basket - 60cm Dishwashers						Z7863X0

THE NEFF OVEN COLLECTIONS

HOBS

VENTILATION

REFRIGERATION

DISHWASHING

LAUNDRY

# Key Functions Guide

## Design Features



### AQUA STOP

Protects inlet and outlet hoses from leakage. A safety valve prevents any more water from entering the dishwasher and overflowing – even when the machine is off.



### OPEN DRY

No need to manually open the door of your dishwasher to allow the load to cool off. Open Dry takes care of that by opening the door automatically during the drying phase.



### INFO LIGHT

Info Light projects a red light onto the floor that showcases clearly that this dishwasher is in operation. Info Light is available for fully integrated dishwashers.



### HEAT EXCHANGER

Ensures that the drying phase of programmes is energy efficient and glassware is fully protected by preventing extreme temperatures.



### DOOR OPEN ASSIST

Door Open Assist is the perfect solution for anybody looking to achieve a sleek, handleless design in their kitchen. Simply press lightly on the front of the unit to open the dishwasher door. Ideal for a range of integrated designs, Door Open Assist is also a convenient addition to busy kitchens. Electronic child lock can be activated, creating a double push to open.



### ZEOLITH

The Zeolith compartment, located under the dishwasher cavity, contains natural minerals. During the drying phase, these minerals absorb moisture and release hot air. This ensures efficient drying and leaves an impressive sheen on items of all shapes and sizes, including difficult-to-dry plastic goods. And because they recharge during the next washing cycle, you get great, longlasting drying results, without the maintenance worries.



### GAP ILLUMINATION

Gap Illumination shines a soft white light on the side of the dishwasher to indicate the dishwasher is running. If you pause the cycle or open the door, the light will start blinking. This feature is available across Vario Hinge models.



### TIME LIGHT

Time Light projects the remaining time as well as the ongoing process of the programme on any type of kitchen floor. Time Light is available for fully integrated dishwashers and washing machines.



### VARIO HINGE

Vario Hinge lets you install your dishwasher at floor level or higher. When you open the door, it lifts up the front panel so that it opens freely and doesn't make contact with base underneath. Now you don't have to compromise on kitchen design, and your dishwasher will combine effortlessly with every other unit.



### EMOTION LIGHT

LED lights in the front edge light up the dishwasher cavity.



### GLASS CARE SYSTEM

Your dishwasher has a thing for delicate glassware, so it fine-tunes the water hardness to protect your glassware with never-ending care. A combination of the Glass 40° programme and Extra Shine option will clean your items impeccably without worry. With the introduction of anti-slip surfaces, silicon inserts and supports within Flex 2 baskets your glassware has never been more protected.

## Programmes



### FAVOURITE

Choose a programme, option, or combination on your dishwasher and save it as "Favourite", either via your Home Connect app or directly on the dishwasher.



### 1 HOUR 65°

No need to stack your dinner or party dishes for hours, simply load the dishwasher again. This function cleans and dries dishes in only 60 minutes. Spend more quality time with family and friends while enjoying food and tales using your favourite tableware.



### EASY CLEAN

Give your dishwasher a deep clean with the new Easy Clean programme. Simply run the high temperature setting together with some dishwasher cleaner in an empty machine to remove limescale and grease from inside the cavity.



### SILENCE

'Silence on demand' whenever you wish for peace and calm select this option via the Home Connect app. On activation the cycle will pause for 30 minutes. You have the flexibility to restart the cycle at anytime if you wish, after 30 minutes the programme will resume.



### AUTOMATIC PROGRAMMES

Take the worry out of selecting exactly the right programme and let the machine do it for you. Automatically changes settings to ensure you get the best clean for your load.



### CHEF 70°C

With a hotter setting and a powerful spray, the Chef 70° programme is perfect for cleaning even the dirtiest pots, pans and cooking utensils. Items placed in the lower basket are subject to higher spray pressures, eliminating the need for soaking and effectively removing even the most stubborn stains.

## Special Functions



### EXTRA SPEED

Depending on the selected programme you can reduce the running time of your dishwasher's programme to up to 66%. Make more of your quality time and enjoy optimum cleaning and drying results - while Extra Speed takes care of the load up to three times faster.



### POWER ZONE

Activates higher wash temperatures and increases spray arm pressure in the bottom basket, while maintaining a more gentle wash in the top basket.



### EXTRA SHINE

By increasing the amount of water during the rinse cycle and extending the drying phase, water marks are prevented and the drying result is further improved.

### EXTRA HYGIENE

Provides a hotter final rinse, with 70°C water for 10 minutes, to effectively cleanse items such as chopping boards and cooking utensils\*.

## 10-YEAR, ANTI-RUST WARRANTY

Due to advanced materials and manufacturing technologies, in addition to our standard appliance warranty, we're able to provide a free-of-charge warranty against the rusting-through of the dishwasher's inner cavity.

\*Please note this programme does not sterilise.

# 60cm Fully Integrated Dishwashers

## ZEOLITH

### S187TC800E | N70

- Flex 3 baskets
- Zeolith Technology

- Open Dry
- Time Light

- Door open assist



### S187ZCX03G | N70

- Flex 2 baskets
- Zeolith Technology

- Time Light
- Quiet – 40dB
- Door open assist



Control panel colour	Stainless steel	Stainless steel
Height (cm) / Hinge type	81.5 / Fixed	81.5 / Fixed
<b>DESIGN FEATURES</b>		
Drying system	Zeolith / Open Dry	Zeolith
Home Connect Wi-Fi connectivity	•	•
Control panel type	Push buttons + LED	Push buttons + LED
Basket description	Flex 3	Flex 2
Flex Cutlery Drawer (3rd loading level)	Flex Cutlery Drawer	Flex Cutlery Drawer
Status indicator	Time Light (White)	Time Light (White)
Door open assist	•	•
Glass care technology	•	•
Anti-slip protection / stemware support upper basket	• / •	• / •
Adjustable upper basket <sup>6</sup>	Rack Matic 3-stage	Rack Matic 3-stage
Number of flip tines in upper / lower basket	6 / 8	6 / 6
Cup shelves upper / lower baskets	2 / 2	2 / 2
Cutlery holder lower basket	•	•
Largest loadable dish upper <sup>7</sup> / lower basket (cm)	21 / 30	21 / 30
Aqua sensor	•	•
Real-time clock	•	•
Start delay time max hours	24	24
Emotion light (interior lighting)	•	•
End of cycle indicator	Acoustic	Acoustic
Salt / Rinse aid light indicator	• / •	• / •
Self cleaning filter system	•	•
Flood protection system	Aqua Stop	Aqua Stop
Safety features	Door lock	Door lock
<b>PROGRAMMES / FUNCTIONS</b>		
List of programmes	Eco 50 °C, Auto 45-65 °C, Chef 70 °C, Classic 60 °C, Glass 40 °C, Favourite, Easy Clean	Eco 50 °C, Auto 45-65 °C, Chef 70 °C, Classic 60 °C, Glass 40 °C, Favourite, Easy Clean
Additional special options	Remote Start, Extra Dry, Power Zone, Extra Speed	Remote Start, Extra Shine, Power Zone, Extra Speed
<b>TECHNICAL SPECIFICATIONS</b>		
Reference programme for measurements	Eco 50 °C	Eco 50 °C
Energy efficiency class <sup>1</sup>	A	B
Energy <sup>2</sup> / water <sup>3</sup> : kWh / litres	54 / 9,5	65 / 9
Load capacity (place settings)	14	14
Programme duration <sup>4</sup> : h:min	4:55	3:35
Noise level: dB (A) re 1 pW	43	40
Noise efficiency class	B	B
Noise level (silence programme): dB (A) re 1 pW	175	175
Length of electrical supply cord (cm)	175	175
Length inlet / outlet hose (cm)	165 / 190	165 / 190
Maximum height for installation (mm)	875	875
Maximum height adjustability feet (mm)	60	60
Maximum width for installation (mm)	600	600
Height of the product (mm)	815	815
Width / Depth of the product (mm)	598 / 550	598 / 550
Net weight / Gross weight (kg)	44 / 46	38 / 40
Water softener <sup>5</sup>	•	•
Maximum accepted water hardness (°DH)	50	50
Maximum temperature for water intake (°C)	60	60
Interior cavity	Stainless steel	Stainless steel
Included accessories	Steam protection plate	Steam protection plate

All of our dishwashers have Aqua Stop water protection, detergent aware, Dosage Assist and a door lock as standard. All NEFF dishwashers are suitable for use with doors from 2.5kg-8.5kg apart from SlimLine S875HKX20G (2.5kg to 7.5kg) and VarioHinge models S195HCX26G and S295HCX26G (4.5kg to 11.0kg) if the correct door springs are installed.

## VARIO HINGE

### S295HCX02G | N50

- Flex 2 baskets
- Vario Hinge – 86.5cm height

- Gap Illumination
- Door open assist
- Flex Cutlery Drawer



### S195HCX02G | N50

- Flex 2 baskets
- Vario Hinge – 81.5cm height

- Gap Illumination
- Door open assist
- Flex Cutlery Drawer



### S175HTX06G | N50

- Flex 1 baskets
- Vario Hinge – 81.5cm height

- Info Light



Control panel colour	Stainless steel	Stainless steel	Stainless steel
Height (cm) / Hinge type	86.5 / Vario Hinge	81.5 / Vario Hinge	81.5 / Vario Hinge
<b>DESIGN FEATURES</b>			
Drying system	Heat exchanger	Heat exchanger	Heat exchanger
Home Connect Wi-Fi connectivity	•	•	•
Control panel type	Push buttons + LED	Push buttons + LED	Push buttons + LED
Basket description	Flex 2	Flex 2	Flex 1
Flex Cutlery Drawer (3rd loading level)	Flex Cutlery Drawer	Flex Cutlery Drawer	Flex Cutlery Drawer
Status indicator	Gap Illumination (White)	Gap Illumination (White)	Info Light (Red)
Door open assist	•	•	•
Glass care technology	•	•	•
Anti-slip protection / stemware support upper basket	• / •	• / •	•
Adjustable upper basket <sup>6</sup>	Rack Matic 3-stage	Rack Matic 3-stage	Height adjustable top basket
Number of flip tines in upper / lower basket	6 / 6	6 / 6	- / 2
Cup shelves upper / lower baskets	2 / 2	2 / 2	2 / -
Cutlery holder lower basket	•	•	•
Largest loadable dish upper <sup>7</sup> / lower basket (cm)	23 / 33	21 / 30	27 / 30
Aqua sensor	•	•	•
Real-time clock	•	•	•
Start delay time max hours	24	24	24
Emotion light (interior lighting)	•	•	•
End of cycle indicator	Acoustic	Acoustic	Acoustic
Salt / Rinse aid light indicator	• / •	• / •	• / •
Self cleaning filter system	•	•	•
Flood protection system	Aqua Stop	Aqua Stop	Aqua Stop
Safety features	Door lock	Door lock	Door lock
<b>PROGRAMMES / FUNCTIONS</b>			
List of programmes	Eco 50 °C, Auto 45-65 °C, Chef 70 °C, Classic 60 °C, Glass 40 °C, Favourite, Easy Clean	Eco 50 °C, Auto 45-65 °C, Chef 70 °C, Classic 60 °C, Glass 40 °C, Favourite, Easy Clean	Eco 50 °C, Auto 45-65 °C, Chef 70 °C, Classic 60 °C, Glass 40 °C, Favourite, Easy Clean
Additional special options	Remote Start, Extra Dry, Power Zone, Extra Speed	Remote Start, Extra Dry, Power Zone, Extra Speed	Remote Start, Extra Dry, Power Zone, Extra Speed
<b>TECHNICAL SPECIFICATIONS</b>			
Reference programme for measurements	Eco 50 °C	Eco 50 °C	Eco 50 °C
Energy efficiency class <sup>1</sup>	D	D	D
Energy <sup>2</sup> / water <sup>3</sup> : kWh / litres	85 / 9	85 / 9	84 / 9
Load capacity (place settings)	14	14	13
Programme duration <sup>4</sup> : h:min	4:30	4:30	4:30
Noise level: dB (A) re 1 pW	42	42	46
Noise efficiency class	B	B	C
Noise level (silence programme): dB (A) re 1 pW	175	175	175
Length of electrical supply cord (cm)	175	175	175
Length inlet / outlet hose (cm)	165 / 190	165 / 190	165 / 190
Maximum height for installation (mm)	925	875	875
Maximum height adjustability feet (mm)	60	60	60
Maximum width for installation (mm)	600	600	600
Height of the product (mm)	865	815	815
Width / Depth of the product (mm)	598 / 550	598 / 550	598 / 550
Net weight / Gross weight (kg)	39 / 41	37 / 39	31 / 34
Water softener <sup>5</sup>	•	•	•
Maximum accepted water hardness (°DH)	50	50	50
Maximum temperature for water intake (°C)	60	60	60
Interior cavity	Stainless steel	Stainless steel	Stainless steel / Polinox
Included accessories	Steam protection plate	Steam protection plate	Steam protection plate

• = Yes, model has this feature

<sup>1</sup> On an energy-efficiency class scale from A to G.

<sup>2</sup> Energy consumption in kWh/100 operating cycles (using Eco programme).

<sup>3</sup> Water consumption in litres/operating cycle (using Eco programme).

<sup>4</sup> Duration of Eco programme.

<sup>5</sup> We would recommend our dishwashers are connected to the mains water supply where possible. However, they may also be connected to an external water softener as long as the

water softener produces softened water of less than 1.1 mmo/litre (7.0°e) and the water softener in the appliance is turned off. Please contact product advice for further information. Water pressure required: 0.5-10 Bar. Flow rate: 10 litres per minute. Inlet valve connected directly to ¾" screwed joint.

<sup>6</sup> Adjustable upper basket is 2-stage Rackmatic™ when Flex 3rd Basket is installed.

<sup>7</sup> Largest loadable dish height in upper basket will be smaller when Flex 3rd Basket is installed.

# 60cm Fully & Semi Integrated Dishwashers





## RACK MATIC

S155ECX07G   N50	S155HVX00G   N50
<ul style="list-style-type: none"> <li>Flex 2 baskets</li> <li>Rack Matic 3-stage</li> <li>Time Light</li> <li>Quiet – 40dB</li> <li>Flex Cutlery Drawer</li> </ul>	<ul style="list-style-type: none"> <li>Flex 2 baskets</li> <li>Rack Matic 3-stage</li> <li>Info Light</li> <li>Flex Cutlery Drawer</li> </ul>
	
Stainless steel 81.5 / Fixed	Stainless steel 81.5 / Fixed

Control panel colour	Stainless steel	Stainless steel
Height (cm) / Hinge type	81.5 / Fixed	81.5 / Fixed
<b>DESIGN FEATURES</b>		
Drying system	Heat exchanger	Heat exchanger
Home Connect Wi-Fi connectivity	•	•
Control panel type	Push buttons + LED	Push buttons + LED
Basket description	Flex 2	Flex 2
Flex Cutlery Drawer (3rd loading level)	Flex Cutlery Drawer	Flex Cutlery Drawer
Status indicator	Time Light (White)	Info Light (Red)
Door open assist	•	•
Glass care technology	•	•
Anti-slip protection / stemware support upper basket	• / •	•
Adjustable upper basket <sup>6</sup>	Rack Matic 3-stage	Rack Matic 3-stage
Number of flip tines in upper / lower basket	6 / 6	2 / 4
Cup shelves upper / lower baskets	2 / 2	2 / -
Cutlery holder lower basket	•	•
Largest loadable dish upper <sup>7</sup> / lower basket (cm)	21 / 30	21 / 30
Aqua sensor	•	•
Real-time clock	•	•
Start delay time max hours	24	24
Emotion light (interior lighting)	•	•
End of cycle indicator	Acoustic	Acoustic
Salt / Rinse aid light indicator	• / •	• / •
Self cleaning filter system	•	•
Flood protection system	Aqua Stop	Aqua Stop
Safety features	Door lock	Door lock
<b>PROGRAMMES / FUNCTIONS</b>		
List of programmes	Eco 50 °C, Auto 45-65 °C, Chef 70 °C, Classic 60 °C, Glass 40 °C, Favourite, Easy Clean	Eco 50 °C, Auto 45-65 °C, Chef 70 °C, Classic 60 °C, Glass 40 °C, Favourite, Easy Clean
Additional special options	Remote Start, Extra Dry, Power Zone, Extra Speed	Remote Start, Extra Dry, Power Zone, Extra Speed
<b>TECHNICAL SPECIFICATIONS</b>		
Reference programme for measurements	Eco 50 °C	Eco 50 °C
Energy efficiency class <sup>1</sup>	C	D
Energy <sup>2</sup> / water <sup>3</sup> : kWh / litres	75 / 9	85 / 9
Load capacity (place settings)	14	14
Programme duration <sup>4</sup> : h:min	3:20	4:30
Noise level: dB (A) re 1 pW	40	46
Noise efficiency class	C	C
Noise level (silence programme): dB (A) re 1 pW	175	175
Length of electrical supply cord (cm)	175	175
Length inlet / outlet hose (cm)	165 / 190	165 / 190
Maximum height for installation (mm)	875	875
Maximum height adjustability feet (mm)	60	60
Maximum width for installation (mm)	600	600
Height of the product (mm)	815	815
Width / Depth of the product (mm)	598 / 550	598 / 550
Net weight / Gross weight (kg)	36 / 38	34 / 38
Water softener <sup>5</sup>	•	•
Maximum accepted water hardness (°DH)	50	50
Maximum temperature for water intake (°C)	60	60
Interior cavity	Stainless steel	Stainless steel / Polinox
Included accessories	Steam protection plate	Steam protection plate

All of our dishwashers have Aqua Stop water protection, detergent aware, Dosage Assist and a door lock as standard. All NEFF dishwashers are suitable for use with doors from 2.5kg-8.5kg apart from SlimLine S875HKX20G (2.5kg to 7.5kg) and VarioHinge models S195HCX26G and S295HCX26G (4.5kg to 11.0kg) if the correct door springs are installed.

## INFO LIGHT

S153HKX03G   N30	S153HTX02G   N30	S153ITX02G   N30	S145HTS01G   N50
<ul style="list-style-type: none"> <li>Flex 1 baskets</li> <li>Height adjustable top basket</li> <li>Info Light</li> </ul>	<ul style="list-style-type: none"> <li>Normal baskets</li> <li>Info Light</li> </ul>	<ul style="list-style-type: none"> <li>Normal baskets</li> <li>Info Light</li> </ul>	<ul style="list-style-type: none"> <li>Flex 1 baskets</li> <li>Height adjustable top basket</li> </ul>
			
Stainless steel 81.5 / Fixed	Stainless steel 81.5 / Fixed	Stainless steel 81.5 / Fixed	Stainless steel 81.5 / Fixed

Heat exchanger	Heat exchanger	Heat exchanger	Heat exchanger
•	•	•	•
Toggle control + LED	Toggle control + LED	Toggle control + LED	Push buttons + LED
Flex 1	Normal	Normal	Flex 1
Info Light (Red)	Info Light (Red)	Info Light (Red)	
•	•	•	•
Height adjustable top basket			Height adjustable top basket
- / 2	- / -	- / -	- / 2
2 / -	2 / -	2 / -	2 / -
•	•	•	•
27 / 30	22 / 30	22 / 30	27 / 30
•	•	•	•
9	9	9	24
Acoustic	Acoustic	Acoustic	
• / •	• / •	• / •	• / •
•	•	•	•
Aqua Stop	Aqua Stop	Aqua Stop	Aqua Stop
Door lock	Door lock	Door lock	Control panel lock, door lock
Eco 50 °C, Auto 45-65 °C, Chef 70 °C, Classic 60 °C, Glass 40 °C, Favourite, Easy Clean	Eco 50 °C, Auto 45-65 °C, Chef 70 °C, Classic 60 °C, Favourite, Easy Clean	Eco 50 °C, Auto 45-65 °C, Chef 70 °C, 1h 65 °C, Favourite, Easy Clean	Eco 50 °C, Auto 45-65 °C, Chef 70 °C, 1h 65 °C, Glass 40 °C, Favourite, Easy Clean
Remote Start, Extra Dry, Power Zone, Extra Speed	Remote Start, Extra Dry, Power Zone, Extra Speed	Remote Start, Extra Dry, Power Zone, Extra Speed	Remote Start, Extra Dry, Power Zone, Extra Speed
Eco 50 °C	Eco 50 °C	Eco 50 °C	Eco 50 °C
D	D	E	D
84 / 9	84 / 9	92 / 10.5	84 / 9
13	13	12	13
4:30	4:30	4:30	4:30
42	46	50	46
B	C	C	C
175	175	175	175
165 / 190	165 / 190	165 / 190	165 / 190
875	875	875	875
60	60	60	60
600	600	600	600
815	815	815	815
598 / 550	598 / 550	598 / 550	598 / 573
32 / 34	30 / 32	30 / 32	31 / 34
•	•	•	•
35	50	50	50
60	60	60	60
Stainless steel	Stainless steel / Polinox	Stainless steel / Polinox	Stainless steel / Polinox
Steam protection plate	Steam protection plate	Steam protection plate	Steam protection plate

• = Yes, model has this feature

<sup>1</sup> On an energy-efficiency class scale from A to G.

<sup>2</sup> Energy consumption in kWh/100 operating cycles (using Eco programme).

<sup>3</sup> Water consumption in litres/operating cycle (using Eco programme).

<sup>4</sup> Duration of Eco programme.

<sup>5</sup> We would recommend our dishwashers are connected to the mains water supply where possible. However, they may also be connected to an external water softener as long as the

water softener produces softened water of less than 1.1 mmo/litre (7.0°e) and the water softener in the appliance is turned off. Please contact product advice for further information. Water pressure required: 0.5-10 Bar. Flow rate: 10 litres per minute. Inlet valve connected directly to 3/4" screwed joint.

<sup>6</sup> Adjustable upper basket is 2-stage Rackmatic™ when Flex 3rd Basket is installed.

<sup>7</sup> Largest loadable dish height in upper basket will be smaller when Flex 3rd Basket is installed.

# 45cm Slimline Dishwasher

VARIO HINGE

S875HKX21G | N50

- Flex 1 baskets
- Vario Hinge – 81.5cm height
- Rack Matic 3-stage
- Info Light



Control panel colour	Stainless steel
Height (cm) / Hinge type	81.5 / Vario Hinge
<b>DESIGN FEATURES</b>	
Drying system	Heat exchanger
Home Connect Wi-Fi connectivity	•
Control panel type	Push buttons + LED
Basket description	Flex 1
Flex Cutlery Drawer (3rd loading level)	
Status indicator	Info Light (Red)
Door open assist	
Glass care technology	•
Anti-slip protection / stemware support upper basket	• / -
Adjustable upper basket <sup>6</sup>	Rack Matic 3-stage
Number of flip tines in upper / lower basket	2 / 2
Cup shelves upper / lower baskets	2 / 1
Cutlery holder lower basket	•
Largest loadable dish upper <sup>7</sup> / lower basket (cm)	27 / 30
Aqua sensor	•
Real-time clock	
Start delay time max hours	24
Emotion light (interior lighting)	
End of cycle indicator	Acoustic
Salt / Rinse aid light indicator	• / •
Self cleaning filter system	•
Flood protection system	Aqua Stop
Safety features	Door lock
<b>PROGRAMMES / FUNCTIONS</b>	
List of programmes	Eco 50 °C, Auto 45-65 °C, Chef 70 °C, Classic 60 °C, Glass 40 °C, Favourite, Easy Clean
Additional special options	Remote Start, Extra Dry, Power Zone, Extra Speed
<b>TECHNICAL SPECIFICATIONS</b>	
Reference programme for measurements	Eco 50 °C
Energy efficiency class <sup>1</sup>	E
Energy <sup>2</sup> / water <sup>3</sup> : kWh / litres	76 / 8.9
Load capacity (place settings)	10
Programme duration <sup>4</sup> : h:min	3:40
Noise level: dB (A) re 1 pW	44
Noise efficiency class	B
Noise level (silence programme): dB (A) re 1 pW	
Length of electrical supply cord (cm)	175
Length inlet / outlet hose (cm)	165 / 205
Maximum height for installation (mm)	875
Maximum height adjustability feet (mm)	60
Maximum width for installation (mm)	450
Height of the product (mm)	815
Width / Depth of the product (mm)	448 / 550
Net weight / Gross weight (kg)	28 / 30
Water softener <sup>5</sup>	•
Maximum accepted water hardness (°DH)	50
Maximum temperature for water intake (°C)	60
Interior cavity	Stainless steel
Included accessories	Steam protection plate

• = Yes, model has this feature

- <sup>1</sup> On an energy-efficiency class scale from A to G.  
<sup>2</sup> Energy consumption in kWh/100 operating cycles (using Eco programme).  
<sup>3</sup> Water consumption in litres/operating cycle (using Eco programme).  
<sup>4</sup> Duration of Eco programme.  
<sup>5</sup> We would recommend our dishwashers are connected to the mains water supply where possible. However, they may also be connected to an external water softener as long as the water softener produces softened water of less than 1.1 mmol/litre (7.0°e) and the water softener in the appliance is turned off. Please contact product advice for further information. Water pressure required: 0.5-10 Bar. Flow rate: 10 litres per minute. Inlet valve connected directly to 3/8" screwed joint.  
<sup>6</sup> Adjustable upper basket is 2-stage Rackmatic™ when Flex 3rd Basket is installed.  
<sup>7</sup> Largest loadable dish height in upper basket will be smaller when Flex 3rd Basket is installed.

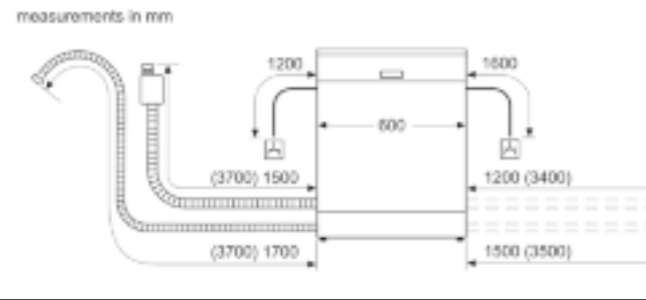
All of our dishwashers have Aqua Stop water protection, detergent aware, Dosage Assist and a door lock as standard. All NEFF dishwashers are suitable for use with doors from 2.5kg-8.5kg apart from SlimLine S875HKX20G (2.5kg to 7.5kg) and Vario Hinge models S195HCX26G and S295HCX26G (4.5kg to 11.0kg) if the correct door springs are installed.



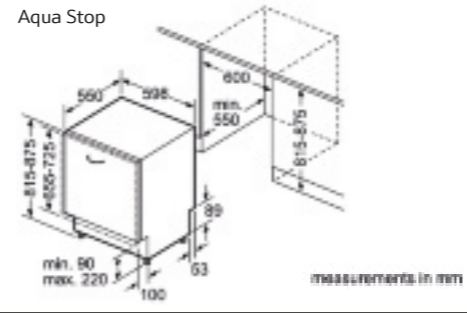


## 60cm Fully Integrated Dishwashers

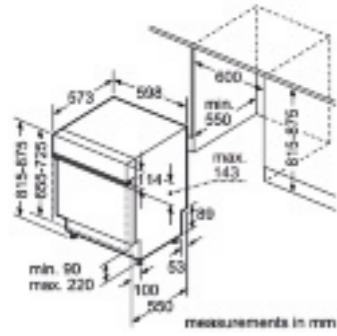
S145HTS01G, S187ZCX03G, S155ECX07G, S155HAX27G, S153HKX03G, S153HTX02G, S153ITX02G, S195HCX02G, S175HTX06G, S295HCX02G, S155HVX00G



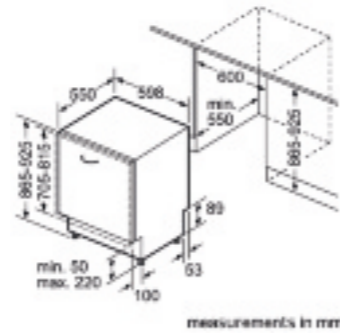
S187ZCX03G, S155ECX07G, S155HAX27G, S153HKX03G, S153HTX02G, S153ITX02G, S195HCX02G, S175HTX06G, S155HVX00G



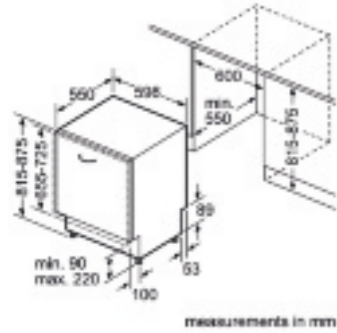
S145HTS01G



S295HCX02G

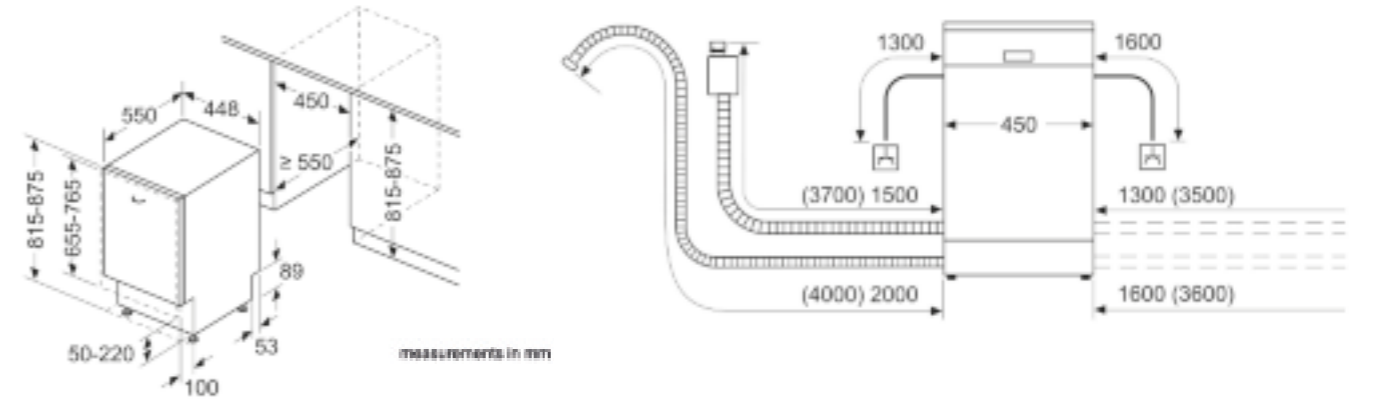


S187TC800E



## 45cm Slim Line Dishwasher

S875HKX21G



# NEFF LAUNDRY RANGE

- Comprehensive range of laundry solutions.
- 3 types of laundry appliances
  - Integrated Washing Machines
  - Integrated Washer Dryers
  - Freestanding Washer Dryer – ideal for a utility room
- All feature our signature innovations.
- Features that suit an open plan kitchen installation with laundry as part of it include;
  - Time Light to see when the cycle has ended.
  - Anti Vibration Side panels to minimise noise.
- All features detailed in the following section.



## 5 Year Warranty

Peace of mind built-in – many of NEFF's laundry appliances are covered by our **5 year** warranty – clearly marked in the matrix tables. Further warranty information can be found on NEFF Customer Service pages 184-185.

## Key Functions Guide

### Key Features

#### INTELLIGENT WATER SYSTEM

Efficient washing is made simple with our built-in load sensor. With up to 256 load levels distinguished and a flow sensor for detecting the kind of textile, the amount of water used is tailored to your wash.

#### SENSOR DRYING

Continuously monitors the drying performance using sophisticated sensors to prevent overheating and over drying. The dryer stops automatically when the correct level of dryness is reached to deliver the finest fabric care and reduce ironing.

#### TIME LIGHT

The time remaining of the wash cycle is clearly projected on to any floor surface. So you don't have to open the door to see when your washing will be finished. Perfect for open plan kitchens. Featured on model W544BX2GB.

### Additional Features

#### TIME DELAY

Allows you to programme the machine up to 24 hours in advance to suit any schedule or to take advantage of off-peak electricity rates.

#### DRUM LIGHT

The new drum interior LED light is a big help when unloading your fully-integrated NEFF built-in washing machine. It lights up the inside brightly enough so you'll never overlook another item of laundry.

### Programmes

#### STAIN-REMOVAL PROGRAMME

Banish even the most stubborn stains with our stain-specific programmes. With dedicated settings for red wine spillages, tomato splashes and butter/oil residue, there's no need to worry about cooking-related stains.

### Options

#### LESS IRONING

Reduces the creasing of clothes as the water is gently removed from the wash with a light interval spin at the end of the cycle.

#### EXTRA RINSE OPTION

Available on almost every programme, it's especially helpful for sensitive skin.

#### ANTI-VIBRATION SIDE PANELS

Our new side panels increase stability and reduce vibrations during even the fastest spin cycle. With a 3-step system which absorbs motor vibrations, centres unbalanced laundry and compensates for vibrations on the side walls, you benefit from low noise washing with every load.

#### ECO BAR / ECO BAR PLUS

Know how much energy you are using with the new Eco Bar feature, available on selected freestanding appliances. The LED bar displays five possible consumption levels. With Eco Bar Plus, energy and water consumption is displayed, giving you an indication of resources used on your chosen programme and options. The fewer LEDs illuminated, the more energy you are saving.

#### AQUA STOP / AQUA SECURE PLUS

Protects inlet hoses from leakage. A safety valve prevents any more water from entering the washing machine.

#### RELOAD FUNCTION

If you need to add or remove an item after the programme has started, you can pause the cycle by pressing the Start/Reload button. The machine will check whether you can open the door and, if so, it lets you. To resume operation, just press the Start/Reload button again.

#### DRUM CLEAN WITH REMINDER

Prevent odours and germs with our handy Drum Clean reminder. When the machine detects a consecutive number of low washing temperatures (<40°), you'll be prompted to start the Drum Clean programme.

#### FLEXI TIME

Cuts programme times by up to 30%. Simply select the cycle you wish to run and then select Flexi Time.

Some features are relevant for freestanding models only. For full details please refer to the website.

# Integrated Laundry

## WASHING MACHINES



W544BX2GB	W543BX2GB
<ul style="list-style-type: none"> <li>• Time Light</li> <li>• Speed Perfect</li> <li>• Reload function</li> <li>• Targeted Stain Removal</li> <li>• Variable Temperature</li> </ul> 	<ul style="list-style-type: none"> <li>• Speed Perfect</li> <li>• Reload function</li> </ul> 

KEY FEATURES		
Time Light	•	
Speed Perfect	•	
Reload function	•	•
Targeted stain removal	•	
Reduced noise wash	•	
ADDITIONAL FEATURES		
Time delay	h	24
Control panel lock	•	•
Water protection system	Aqua Stop	Aqua Stop
PROGRAMMES / FUNCTIONS		
Cottons	•	•
Eco 40-60	•	•
Easy-care programme	•	•
Wool programme	•	•
Super Quick 15 / 30'	•	•
Mixed load	•	•
Shirts	•	•
Stain removal	Tomatoes, Red Wine, Butter/Oil	
Delicates / Silk	•	•
Rinse	•	•
Spin / Drain	•	•
Drum Clean	•	•
OPTIONS		
Pre-wash	•	•
Extra rinse	•	•
Variable temperature / Variable spin	•/•	/•
PERFORMANCE / TECHNICAL INFORMATION		
Energy efficiency class <sup>1</sup>		
Load capacity	kg	1-8
Energy <sup>2</sup> / Water <sup>3</sup>	kWh / litres	62 / 45
Programme duration <sup>4</sup>	h:mm	3:16
Maximum spin speed <sup>5</sup>	rpm	1400
Spin efficiency class		B
Noise level	dB(A) re 1 pW	66
Noise emission class		A
Dimensions of the product	mm	818 x 596 x 544 (574)
Door opening angle		130°
Depth with open door 90°	mm	956
Height adjustability	mm	120
Length of electrical supply cord	cm	210
Length of supply hose / drain hose	cm	220/220
Door hinge (porthole)		Left-hand

Not all options and programmes are shown, this is a guide, please refer to the website for more details. <sup>1</sup>On an energy-efficiency class scale from A to G. <sup>2</sup>Energy consumption in kWh/100 operating cycles (using Eco 40-60 programme). <sup>3</sup>Water consumption in litres/operating cycle (using Eco 40-60 programme). <sup>4</sup>Duration of Eco 40-60 programme. <sup>5</sup>The specified value is rounded.

# Freestanding


## WASHER DRYERS

V6540X3GB	V6320X2GB
<ul style="list-style-type: none"> <li>• Sensor Controlled Drying</li> <li>• Super Quick 15'</li> <li>• Reduced noise wash</li> <li>• Mixed Load</li> <li>• Variable Temperature</li> </ul> 	

KEY FEATURES		
Electronic control dial	•	•
Time selection options	•	•
Sensor controlled drying	•	
ADDITIONAL FEATURES		
Time delay	h	24
Control panel lock	•	•
Water protection system	Aqua Stop	Aqua Secure
STANDARD PROGRAMMES		
Cottons	•	•
Eco 40-60	•	•
Easy-care programme	•	•
Wool programme	•	•
Delicates / Silk	•	•
Intensive dry	•	•
Gentle dry	•	•
ADDITIONAL PROGRAMMES		
Super Quick 15'	•	
Reduced noise wash	•	
Sportswear	•	
Mixed load	•	
Fluff removal programme	•	•
OPTIONS		
Flexi Time	•	•
Intensive	•	•
Pre-wash	•	•
Extra rinse	•	•
Less ironing	•	•
Variable temperature	•	
Variable spin speed	•	
PERFORMANCE / TECHNICAL INFORMATION		
Energy efficiency class washing and drying <sup>1</sup>		
Energy efficiency class washing <sup>2</sup>		
Energy <sup>3</sup> / Water <sup>4</sup> washing and drying	kWh / litres	266 / 68
Energy <sup>5</sup> / Water <sup>6</sup> washing	kWh / litres	77 / 44
Load capacity washing and drying / washing	kg	1-4 / 1-7
Programme duration <sup>7</sup> washing and drying / washing	h:mm	5:30 / 2:50
Spin efficiency class		B
Spin speed <sup>8</sup>	rpm	1355
Noise level	dB(A) re 1 pW	72
Noise emission class		A
Dimensions of the product	mm	820 x 595 x 584
Door opening angle		95°
Depth with open door 90°	mm	960
Height adjustability	mm	15
Length of electrical supply cord	cm	220
Length of supply hose / drain hose	cm	200 / 200
Door hinge (porthole)		Left-hand

Not all options and programmes are shown, this is a guide, please refer to the website for more details. <sup>1,2</sup>On an energy-efficiency class scale from A to G. <sup>3</sup>Energy consumption in kWh/100 complete operating cycles (using Eco 40-60 programme). <sup>4</sup>Water consumption in litres/complete operating cycle (using Eco 40-60 programme). <sup>5</sup>Energy consumption in kWh/100 wash cycles (using Eco 40-60 programme). <sup>6</sup>Water consumption in litres/wash cycle (using Eco 40-60 programme). <sup>7</sup>Duration of Eco 40-60 programme, complete operating cycle/wash cycle. <sup>8</sup>The specified value is rounded.

## WASHER DRYER

VNA341U8GB
<ul style="list-style-type: none"> <li>• Auto Dry</li> <li>• Sensor drying</li> <li>• Rapid 15' / Wash &amp; Dry 60'</li> <li>• Speed Perfect</li> </ul> 

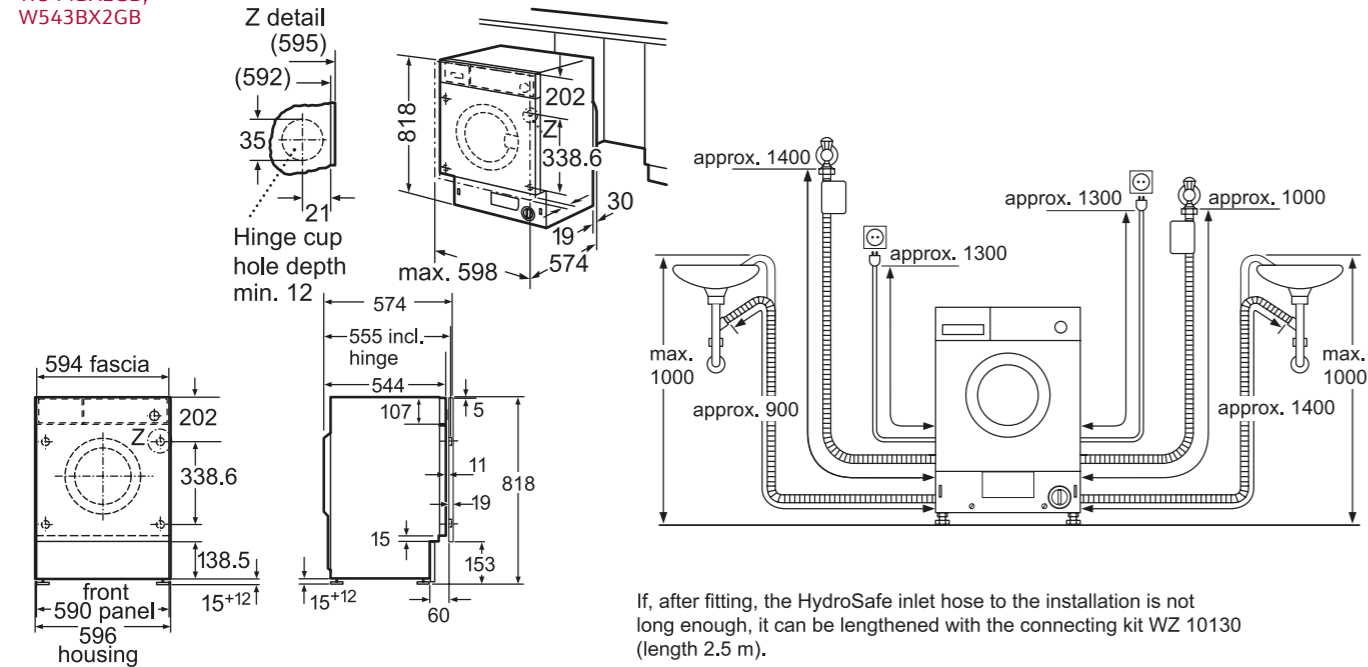
KEY FEATURES		
Auto Dry - Sensor Drying	•	
Anti Vibration design	•	
Anti Crease cycle		
Reload facility	•	
ADDITIONAL FEATURES		
Time delay	h	24
Control panel lock	•	
Interior drum light		
Water protection system	Aqua Secure	
PROGRAMMES / FUNCTIONS		
Eco 40-60	•	
Cottons	•	
Refresh	•	
Easy-care programme	•	
Mixed load	•	
Delicates / Silk	•	
Wool programme	•	
Red wine	•	
Rapid 15' / Wash & Dry 60'	•	
Intensive Dry	•	
Gentle Dry	•	
My time Dry	•	
Prewash	•	
Easy Iron	•	
Speed Perfect	•	
Variable temperature / Variable spin	•	
PERFORMANCE / TECHNICAL INFORMATION		
Energy efficiency class washing and drying <sup>1</sup>		
Energy efficiency class washing <sup>2</sup>		
Energy <sup>3</sup> / Water <sup>4</sup> washing and drying	kWh / litres	313 / 70
Energy <sup>5</sup> / Water <sup>6</sup> washing	kWh / litres	63 / 41
Load capacity washing and drying / washing	kg	kg
Programme duration <sup>7</sup> washing and drying / washing	h:mm	7:30 / 3:32
Spin efficiency class		B
Spin speed <sup>8</sup>	rpm	1400
Capacity cotton	kg	8
Ambient temperature range	°C	
Noise level	dB(A) re 1 pW	70
Noise efficiency class		A
Dimensions of the product	mm	848 x 598 x 590 (635)
Door opening angle		165°
Depth with door open 90°	mm	1073
Door hinge (porthole)		Left-hand

<sup>1,2</sup>On an energy-efficiency class scale from A to G. <sup>3</sup>Energy consumption in kWh/100 complete operating cycles (using Eco 40-60 programme). <sup>4</sup>Water consumption in litres/complete operating cycle (using Eco 40-60 programme). <sup>5</sup>Energy consumption in kWh/100 wash cycles (using Eco 40-60 programme). <sup>6</sup>Water consumption in litres/wash cycle (using Eco 40-60 programme). <sup>7</sup>Duration of Eco 40-60 programme, complete operating cycle/wash cycle. <sup>8</sup>The specified value is rounded.

# Fully Integrated Laundry

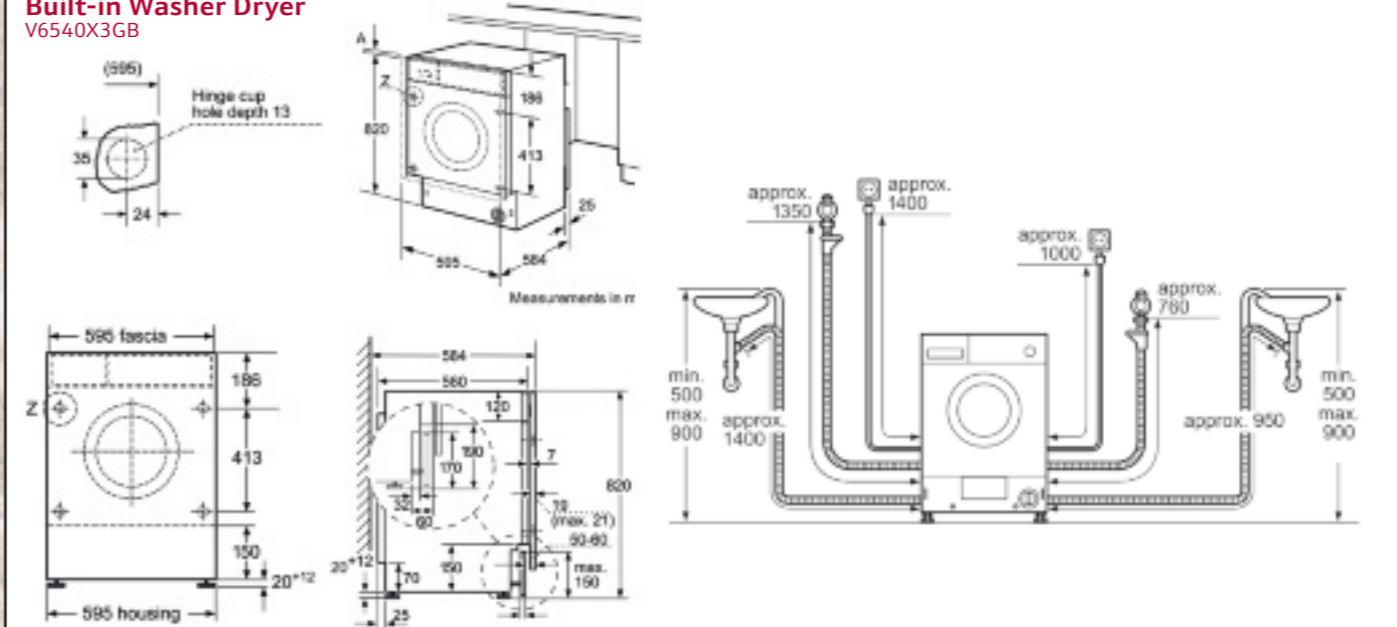
## Built-in Washing Machines

W544BX2GB,  
W543BX2GB



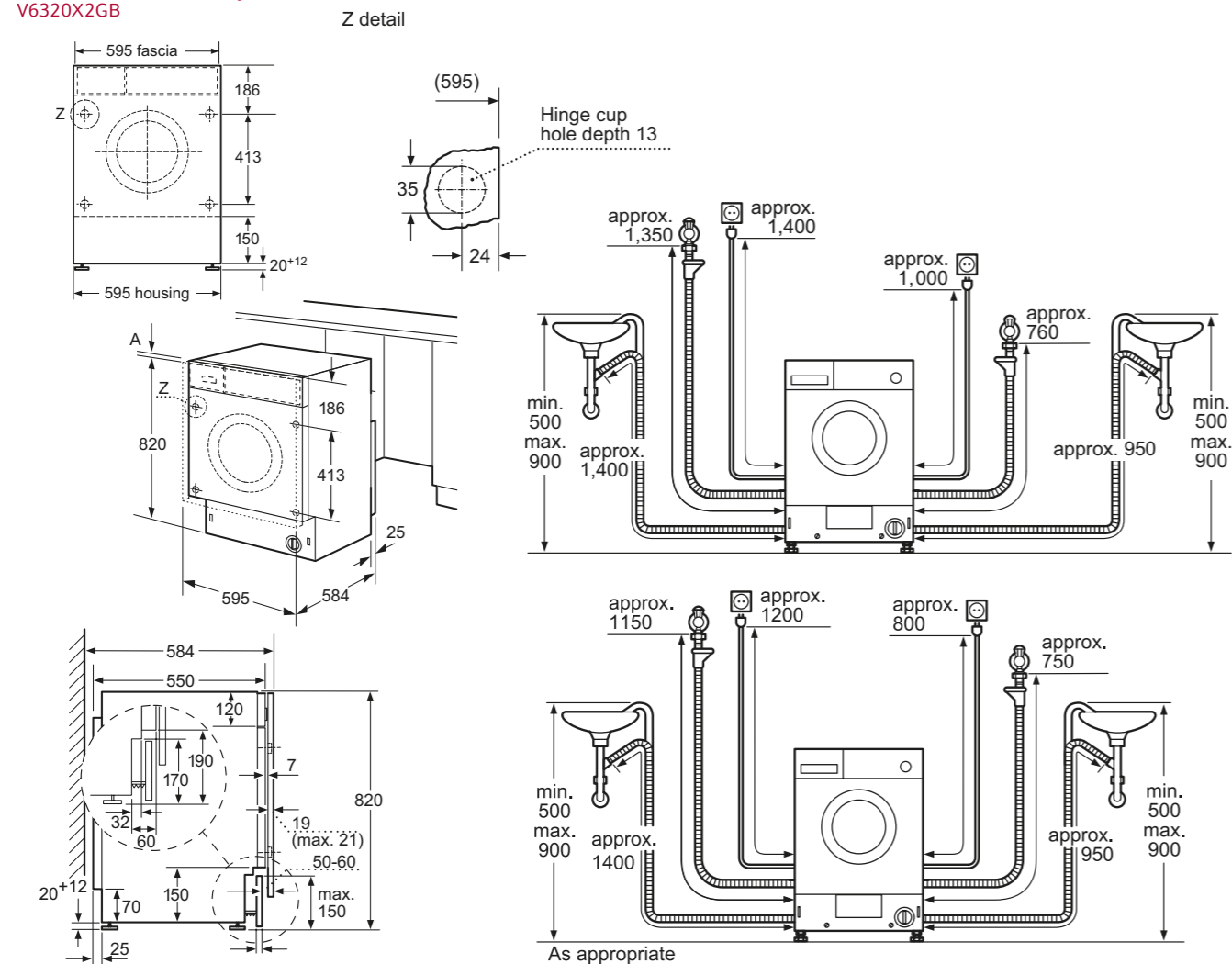
## Built-in Washer Dryer

V6540X3GB



## Built-in Washer Dryer

V6320X2GB



# Freestanding Laundry

## Freestanding Washer Dryer

VNA341U8GB



# NEFF Customer Service

Here at NEFF, we understand that although our kitchens and appliances are designed to cope with even the most exacting cookaholics, sometimes you need to turn to us for help. Whether you need a visit from one of our engineers, some spare parts for your NEFF appliance or just some helpful advice, we're here to talk – around the clock\*.

GIVE US A CALL ON  
**0344 892 8979**

If you're in the Republic of Ireland, call us on (01) 450 2655

VISIT OUR WEBSITE AT  
**NEFF-HOME.COM/UK**  
**NEFF-HOME.COM/IE**

We're available 7 days a week. Our specialist advisors are available Monday to Friday 8am to 6pm, Saturday 9am to 5pm and Sunday 9am to 4pm. Calls are charged at the basic rate, please check with your telephone service provider for exact charges. In some areas we may use an approved service partner and the process may vary for repairs carried out by our service partners.

Please note that due to the implications of COVID-19, our contact hours and service availability are subject to change. For the latest information and updates on our services please visit our COVID-19 Service Update page on: [neff-home.com/uk/coronavirus](http://neff-home.com/uk/coronavirus). Republic of Ireland customers should visit: [neff-home.com/ie/coronavirus](http://neff-home.com/ie/coronavirus).

\*Please note that after the working hours stated only a limited number of advisors are available.

## Register my appliance

### REGISTER YOUR APPLIANCE AND WARRANTY

It is important that you register all your kitchen appliances to ensure that the manufacturer has full details in the event of an important product update. You can find out more about registering your appliances online at:

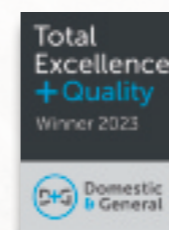
**[registermyappliance.org.uk](http://registermyappliance.org.uk)**

All NEFF appliances are supplied with a two-year manufacturer's warranty. Please call 0800 519 2115 (Republic of Ireland 01230 0344) to register your NEFF warranty and find out more about extending your cover.

From time to time, NEFF may present additional warranties on either products or defined components of a product which are time limited offers. To check if your product qualifies, please contact us, or go online at [neff-home.com/uk/service/care-protection-and-parts/warranties](http://neff-home.com/uk/service/care-protection-and-parts/warranties)

Purchase selected models between 20.03.24 - 31.03.25 and register your appliance for **5 years** warranty.

Please be aware that the above telephone number is managed by Domestic & General Services Limited who administer the warranty registration process on our behalf.



### ARRANGE A VISIT FROM A NEFF ENGINEER

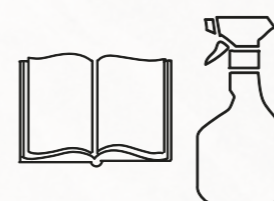
NEFF home appliances are built to the highest standard, but if you do need a visit from a NEFF engineer, we are here to help. Our locally based engineers are employed and trained by NEFF, which gives them unrivaled knowledge and expertise to repair NEFF appliances.

In some areas we may use an approved service partner to carry out repairs on our NEFF appliances, where the repair process may vary.



You can easily book and manage your engineer visit online at: [neff-home.com/uk/service/repair/book-a-repair-online](http://neff-home.com/uk/service/repair/book-a-repair-online) or via our call centre (see contact details above). Republic of Ireland customers should call: 01450 2655.

Calls will be answered 24 hours a day, 7 days a week. Calls are charged at the basic rate, please check with your telephone service provider for exact charges.



### ACCESSORIES AND CLEANING PRODUCTS

You can find everything you need for any appliance on the NEFF online store. It's here where you'll find our tested and approved cleaning and care products, along with other accessories ranging from a Glass Holder for your new dishwasher to a Teppan Yaki for your hob, or a new set of Telescopic Rails.

Shop online at: [neff-home.com/uk/store](http://neff-home.com/uk/store)



### ONLINE HELP AND PRODUCT ADVICE

Prefer to go online? You can visit our support content at: [neff-home.com/uk/service/support](http://neff-home.com/uk/service/support) to quickly find the help you need. We cover questions about usage and maintenance of your appliance, as well as tips on getting started and installing your new appliances. You'll also be able to access your user manual at any time.



### GENUINE NEFF SPARE PARTS

NEFF keeps a comprehensive range of replacement spare parts for up to ten years. You can browse our exploded view diagrams on our store or speak to an advisor on the phone to help you locate and buy the spare parts you need.

[neff-home.com/uk/service/care-protection-and-parts](http://neff-home.com/uk/service/care-protection-and-parts)

### RECEIVE THE HIGHEST STANDARDS OF SERVICE FROM NEFF

NEFF appliances are well-known for their quality and we believe that our customers deserve customer service to match. We provide expert repairs both inside and outside the manufacturer's warranty period and we can offer advice on choosing an appliance which will enhance your favourite dishes.

NEFF is a division of BSH Home Appliances Limited, a company registered in England and Wales under company registration number 01844007, with registered office at: Grand Union House, Old Wolverton Road, Wolverton, Milton Keynes, Buckinghamshire, MK12 5PT.

