



*The NEFF
APPLIANCES RANGE 2025*

Introduction to NEFF

Cook. Create. Inspire

At NEFF we believe that the kitchen is the heart of every home. A place to eat, meet and get creative with your cooking. With an extensive range of innovative appliances, we're constantly working to meet the demands of every lifestyle. From our unique Slide & Hide® disappearing oven door, to our extensive range of steam and pyrolytic ovens, hobs and hoods, these appliances expertly installed create the perfect NEFF Kitchen.

Contents

| | |
|--|----------------|
| OVENS | 4-53 |
| Why NEFF? | 4-5 |
| Accessible & Multigenerational Kitchens | 6-7 |
| Introduction to Ovens | 8-9 |
| Steam Cooking Explained | 10-11 |
| Key Functions Guide | 12-13 |
| Fascia Display Types | 14-15 |
| Home Connect | 16-17 |
| N90 and N70 Range of Appliances | 18-19 |
| N50 Range of Appliances | 20-21 |
| Seamless Combination® | 22-23 |
| N90/N70 Graphite Grey Appliance List | 24 |
| N70 Stainless Steel Appliance List | 25 |
| N50 Appliance List | 26 |
| Optional Accessories List | 27 |
| Product Specification | 28-43 |
| Product Line Drawings | 44-53 |
| HOBS | 54-95 |
| Introduction to Hobs | 54-55 |
| Your Guide to Hobs | 56-57 |
| Hobs Range | 58-59 |
| Guide to Electric Hobs | 60-61 |
| Electric Hobs Specification | 62-75 |
| Electric Hobs Line Drawings | 76-77 |
| Electric Hobs Accessories | 78-79 |
| Introduction to Gas Hobs | 80-83 |
| Guide to Gas Hobs | 84 |
| Gas Hobs Specification | 85-91 |
| Gas Hobs Line Drawings | 92-93 |
| Electric Hobs List | 94 |
| Gas Hobs List | 95 |
| COOKER HOODS | 96-137 |
| Introduction to Hoods | 96-97 |
| Your Guide to Control Types | 98 |
| Key Functions Guide | 99 |
| Installation Options | 100-101 |
| NEFF Hob to Hood Connectivity | 102-103 |
| Island Ventilation Solutions | 104-105 |
| Island Specification | 106-109 |
| Wall Mounted Ventilation Solutions | 110-111 |
| Wall Mounted Ventilation Specification | 112-117 |
| Integrated Furniture Ventilation Solutions | 118 |
| Integrated Furniture Ventilation Specification | 119-123 |
| Hoods Appliance List | 124-125 |
| Hoods Accessories | 126-127 |
| Product Line Drawings | 128-137 |
| COOLING | 138-169 |
| Introduction to Cooling | 138-139 |
| Built-In Fridge Freezer Guide | 140-141 |
| Built-In Single Fridge Freezer Guide | 142-143 |
| Other Styles Guide | 144 |
| Key Functions Guide | 145 |
| Design Features | 146-147 |
| Product Specification | 148-161 |
| Product Line Drawings | 162-169 |
| DISHWASHERS | 170-183 |
| Introduction to Dishwashers | 170 |
| Dishwasher Solutions | 171 |
| Feature Highlights | 172 |
| Control Types | 173 |
| Key Functions Guide | 174-175 |
| Product Specification | 176-181 |
| Product Line Drawings | 182-183 |
| LAUNDRY | 184-189 |
| Introduction to Laundry | 184 |
| Key Functions Guide | 185 |
| Product Specification | 186-187 |
| Product Line Drawings | 188-189 |
| NEFF CUSTOMER SERVICE | 190-191 |

Why NEFF?

At NEFF, we wholeheartedly believe that the kitchen is the heart of every home.



NEFF, the oldest European home appliance brand, has a rich heritage, renowned for its quality, reliability, and success.

With a deep understanding of cooking and consumer needs, NEFF has been creating cooking solutions that stand the test of time. A NEFF kitchen is a symbol of the owner's passion for cooking, hosting, and entertaining, knowing that their NEFF appliances will deliver the best possible results.



NEFF Warranties

Our support includes a comprehensive range of warranties, with 2 years of warranty on all appliances as the standard, and some models offering a 5-year warranty*. We also provide product and category warranties for Refrigeration, Dish, and Laundry, ensuring peace of mind for our customers.



All NEFF home appliances come complete with a 2 years warranty as standard to protect against any manufacturing or material faults during this period.



For a limited time only, selected NEFF home appliances come with a free 5 years warranty. Offer applies to selected NEFF models purchased between 01.04.25 - 31.03.26 and registered within 3 months of purchase.



This 10 years warranty covers the Compressor Drive motor only on selected NEFF refrigeration appliances.



This 10 years warranty protects against rust in the inner cavity of NEFF dishwashers. Valid on all NEFF dishwashers purchased from 01.01.2012



This 10 years warranty protects the motor on your washing machine, ensuring it runs as efficiently as possible.



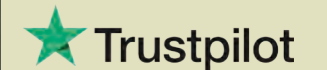
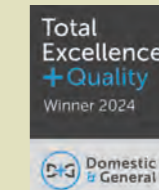
This lifetime warranty protects against water damage caused by a defective Aqua Stop system. Valid on all NEFF washing machines and NEFF dishwashers with an Aqua Stop system.

*To check if your product qualifies, please see our website or call us. Contact details available on pages 190-191.



NEFF is here for you every step of the way

We are fully committed to providing excellent customer service and support. Our dedicated team of engineers is available to assist you with product advice, spare parts, accessories, and repairs. We aim to resolve your issues on the same day of the service visit. Our exceptional service has been recognized by the industry with the TEQ Award for 10 consecutive years. Additionally, we have received positive reviews on TrustPilot, earning us an excellent rating of 4.6.*



* Trust Pilot 4.6 as at February 2025

Join our online community

Choose NEFF and join a community of passionate home cooks and professionals who value quality and creativity in the kitchen.



Create a kitchen for your EVERY NEED

At NEFF, we pride ourselves on helping our customers achieve the best results in their kitchens.

Our appliances are designed to make a difference and enhance home cooking. With our broad appeal and unique features like Slide & Hide® ovens, which offer full access and cater to various needs, including wheelchair users, we aim to provide a solution for all cooks and kitchens.



Innovation that makes your life easier

NEFF's Built-In Range includes options such as Induction hobs with Twist Pad control, smart connectivity for hobs and hoods, and touch-to-open refrigeration and dishwashers.

NEFF enables everyone to maximise their cooking potential

By incorporating NEFF appliances into specially designed kitchen furniture, we support safe and independent living for individuals with specific needs. Accessible kitchens, with features like rise and fall worktops, benefit not only wheelchair users but also those in multi-generational homes, accommodating different cooking and preparation preferences. The NEFF range installed in Symphony's Freedom Kitchen demonstrates a collaboration for Accessible & Multigenerational kitchens. The images taken at the NEFF Showroom in Corby highlight how these two can work together.



NEFF's iconic SLIDE & HIDE® DOOR



The iconic Slide & Hide®: the first and only fully retracting oven door. Only from NEFF.

What makes our Slide & Hide® ovens so special:

- Wide range of features suited to all cooking styles.
- Seals the food quickly making it ideal for multi-level cooking. A perfect choice for baking and roasting achieving succulent roasts and even bakes.
- The range includes an oven for every cooking style and budget. Designed using a value class to identify each collection.
 - Our N90 range is our most premium range followed by N70 and N50
 - For perfect design alignment the ranges have been curated to be installed vertically or horizontally within their own value class aligning and matching their fascia panels.
- Our Single Slide & Hide® ovens seamlessly integrate into various kitchen designs. They can be combined with other Single ovens side by side or with Compact ovens and warming drawers, both horizontally and vertically, offering versatility in design and cooking solutions.
 - One notable advantage is in an Accessible kitchen, where these appliances offer many benefits. They can be installed at a suitable height, and the retractable door provides full, safe access to the oven cavity.
- Made in Germany in our bespoke NEFF factory.



Steam cooking EXPLAINED

WHAT IS IT

| VARIO STEAM® | INTENSIVE STEAM |
|--|---|
| Vario Steam® combines conventional hot air cooking functions with Steam. | Intensive Steam has all the functions of Vario Steam® combining hot air and steam. |
| Ducts in the back plate release steam into the oven quickly and evenly adding steam into the oven cavity. | It also uses 100% (pure) steam to gently cook a variety of dishes. |
| Vario Steam® has 3 levels of steam: <ul style="list-style-type: none"> • Level 1 (Low) Steam • Level 2 (Medium) Steam • Level 3 (High) Steam | The Intensive Steam now means that the steam temperature will reach 120°C – by increasing the temperature it reduces the cooking times for certain foods. |
| Both steam approaches can be added to: <ul style="list-style-type: none"> • Circo Therm® • Top and Bottom Heat • Circo Roasting • Bread Baking Setting | |



Vario Steam® & Steam Boost

The difference between these two features is that with Vario Steam®, once the level of steam intensity is selected, the appliance automatically adds in the steam at selected intervals whereas with Steam Boost the steam is manually added by the user for a 3 minute duration, repeatable for up to another 9 times.



Vario Steam®

Vario Steam® has 3 levels suitable for:

- **Add Level 1 steam for pastries and cakes** - to give an even golden crust, better rise and volume. No soggy cakes here just beautifully moist.
- **Perfect roasted meats can be achieved by adding level 2 steam**, no basting, just a golden crisp skin with tender meat inside. Plus less shrinkage.
- **Add level 3 high steam to Circo Roasting 200°C** for easy **roasties**. No part boiling, a touch of olive oil for crisp and fluffy results.

Steam Boost

This feature is primarily for home-baked bread, giving a crisp outside and nice and fluffy on the inside:

- It delivers fast and intensive steam
- Oven is pre-heated
- A bread baking stone can be used
- Once to temperature press the Steam Boost* button to inject 3 mins of steam.
- This can be done up to 10 times during the programme.

* The feature is called Steam Boost but on the appliance fascia this is Steam Jet.

Intensive Steam (Full Steam)

Increasing the temperature reduces cooking times for produce that cooks more slowly, such as root vegetables, rice dishes and pulses. Cooking these food types more quickly has the added benefit of retaining more vitamins.

Key Benefits

- **Saves Time** – increasing to 120°C means it can reduce cooking times.
- **Healthier Way to cook** – more vitamins and nutrients retained due to quicker cooking time.
- **Defrost** – this programme introduces steam to the cavity to ensure frozen food does not dry out. Temperature range 30-60°C.



Other Steam Options

Reheat

The reheat function introduces steam during the reheating process so that food will not dry out. The causes the food to taste as if it is freshly cooked. Even crispy food like bread will regain their crispy crust. Temperature range 80-180°C.

Dough Proving

Bread will prove quicker using this function than at room temperature. Temperature range 30-50°C.

Key Functions Guide

Cooking Functions



CIRCO THERM®

Circo Therm® evenly distributes the hot air throughout the oven, allowing for consistent cooking results on multiple trays simultaneously.



CIRCO ROASTING

Circo Roasting is the ideal function for cooking meat and poultry. The circulating hot air helps to sear the exterior of the meat quickly, locking in juices and flavour while creating a crispy, golden-brown crust. Meanwhile, the interior remains moist and tender.



TOP/BOTTOM HEAT

Providing conventional cooking heat sources at the top and bottom of the oven. Heat travels to the centre of the oven by natural conduction. Ideal for baking pastries and scones.



CENTRE SURFACE GRILL

When the Centre Surface Grill function is activated, only the centre grilling elements will heat up. Ideal for when cooking smaller quantities.



LOW TEMPERATURE COOKING

A special setting for hob-sealed prime cuts of meat and poultry. Meat/poultry is placed in a pre-heated dish and transferred into the oven. The low temperature setting uses a fixed temperature to gently tenderise without overcooking, resulting in meat/poultry that is juicy and melts in the mouth.



BREAD BAKING

Bread baking temperature varies between 180°C and 220°C. Ideally suited to baking crusty bread with an open texture. Up to three levels of bread can be baked at the same time.



KEEP WARM

An ideal setting for keeping food warm without drying it out before serving. Typically set between 66°C to 100°C.



CIRCO THERM® GENTLE

Circo Therm® Gentle is designed for delicate cooking tasks that require gentle heat and precise temperature control. Operating at a lower temperature, it is perfect for baking delicate pastries, or slow cooking.



CIRCO THERM® INTENSIVE

Uses a combination of Circo Therm® and bottom heat, ideal for foods that need a crispy underside like pizzas or specialty breads. It can also be used for one stage pastry such as lemon meringue pie, eliminating the need for blind baking.



BOTTOM HEAT

Providing heat from the bottom of the oven, this method is ideal for pizza bases and pastry cases to create a crispy underside or for bain marie and casseroles.



FULL SURFACE GRILL

The grill element is situated in the oven roof. It is thermostatically controlled and will cycle on and off to maintain the required temperature.

AIR FRY

The convenience of an Air Fryer inside the oven. This feature uses the grill and fan to create the same results. Using our Air Fryer and Grill Tray (Z1655CA0) further helps the air to circulate achieving optimum results.



DOUGH PROVING

The Dough Proving function provides a controlled environment with a low and consistent temperature ideal for proofing dough. This feature offers home bakers a convenient and reliable way to proof dough, ensuring consistent results and saving time in the bread making process.



PLATE WARMING

Hot air is circulated at up to 65°C to safely warm plates and service dishes in preparation for dinner.

Special Features



NEFF HOME CONNECT

Control your oven directly from a smartphone or voice assistant. You can also download updates and additional functions.



MEAT PROBE

The Multi Point Meat Probe measures the joint's heat at three points and the Single Point Meat Probe measures in one point, ensuring the right core temperature is reached, so you can take the roast out when it's ready.



BAKING AND ROASTING ASSISTANT

Baking & Roasting Assistant helps you to cook meals with ease, by simply selecting pre-selected food items from the Bake & Roast Assist menu. Select your meal on the display and you will find a suggested temperature & cooking time. For Baking, Roasting & Grilling the entire process gives perfect cooking results.

Cooking Functions With Steam



VARIO STEAM®

Vario Steam® enhances the cooking process by introducing controlled bursts of steam into the oven. Whether you're baking bread, roasting meats, or reheating leftovers, dishes come out with more intense flavour and an appetising appearance.



REHEAT

Reheat allows you to gently warm dishes again – and thanks to the moisture in the oven, they will look and taste freshly prepared.



INTENSIVE STEAM (FULL STEAM)

Make your favourite dishes healthier with our Intensive steam function. Gently cook your dishes at up to 120°C, to preserve their natural flavour and lock in nutrients. It's easy to operate and also simple to refill the one litre water container – press a button to open the front panel, remove the container, fill it and you're ready to steam ahead.

Oven Cleaning Functions



PYROLYTIC SELF-CLEANING

Pyrolytic cleaning is a self-cleaning system for ovens. The process superheats the oven to approximately 485°C, which burns off any deposits from baking, roasting and grilling. This creates a perfectly clean oven and a residue of fine dust that's easily removed with a damp cloth.



OVEN CLEANING

A special electronic setting designed to keep EcoClean® surfaces inside the oven as clean as possible. Used on a regular basis, it can keep the oven's interior lining remarkably clean with minimal maintenance required.



BASE CLEAN

Base Clean helps clean the bottom of the oven by softening dirt with warm water. After the programme has finished you just have to wipe the base with a damp cloth.

DRYING FUNCTION

Dries the cooking compartment after a steam function.



EASY CLEAN®

For a lightly soiled oven, put approximately 400ml of water and a drop of washing-up liquid in the base pan and then select the EasyClean® programme. It softens baked-on residue so you can just wipe it down, for fast and uncomplicated oven cleaning.



DESCALING

All NEFF steam appliances contain a descaling programme which can be set according to the hardness of the water.



ECO CLEAN

Eco Clean is a microfine ceramic bead coating on the oven's interior back, top or sides, depending on the model. It has a very large surface area, making it extremely absorbent. It absorbs fat droplets and keeps the inside of the oven clean.

AUTOMATIC SAFETY SWITCH OFF

For electronic ovens only, this feature will automatically cut in if no changes to the settings on the appliance have been made in a long time, giving you complete peace of mind.

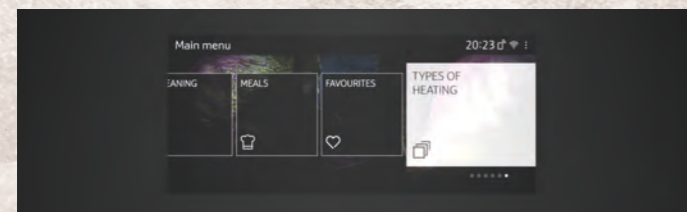
| Temperature range | Automatic switch off after |
|-------------------|----------------------------|
| Under 140°C | 73 hours |
| 141 – 200°C | 6 hours |
| 201 – 250°C | 3 hours |
| 251°C | 2 hours |

Oven Feature OVERVIEW

This overview highlights the features that can be included on a NEFF oven – the model specification will determine the features on each specific model.

N90 Full Touch 3

Full Touch Screen display; 6.8" high resolution TFT colour graphics display.



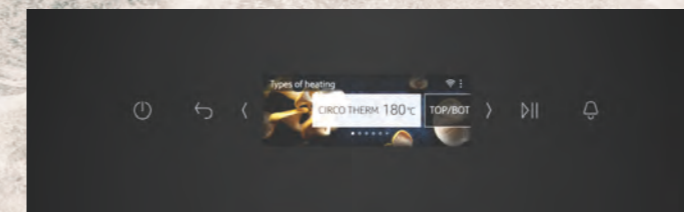
N90 Full Touch 2

Full Touch Screen display; 4.1" high resolution TFT colour graphics display.



N70 Full Touch 1

Full Touch Screen display; 3.7" high resolution TFT colour graphics display.



N50 Dial Control & LCD Screen



| SINGLE OVENS | | |
|--|---|---|
| VALUE CLASS | N90 FULL TOUCH 3 | N90 FULL TOUCH 2 |
| Colours Available | Graphite Grey | Graphite Grey |
| OPERATION | | |
| Premium Full Touch TFT Display | Full Touch 3 (FT3) | Full Touch 2 (FT2) |
| SPECIAL FEATURES | | |
| Door type | Slide & Hide® With Rotating Handle, SoftClose | Slide & Hide® With Rotating Handle, SoftClose |
| Home Connect | • | • |
| Multi Point Temperature Probe | • | |
| SPECIAL FEATURES | | |
| Features available within the Value Class | | |
| Intensive Steam 120° (Full Steam) | • | • |
| Vario Steam® | • | • |
| Dough Proving w/ Vario Steam® | • | • |
| Keep Warm w/ Vario Steam® | • | • |
| Reheat w/Vario Steam® | • | • |
| Circo Therm® | • | • |
| Circo Therm® Gentle | • | • |
| Top/bottom heat Gentle | • | • |
| Bottom heat | • | • |
| Conventional heat/Conventional heat gentle | • | • |
| Low temperature cooking | • | • |
| Hot air grilling | • | • |
| Centre Surface Grill | • | • |
| Full surface grill | • | • |
| Circo Roasting | • | • |
| Bread Baking Function | • | • |
| Pizza setting | • | • |
| Defrost | • | • |
| Dough Proving | • | • |
| Keep Warm | • | • |
| Pre-heating | • | • |
| Plate warming | • | • |
| Oven capacity (L) | 71 | 71 |

| SINGLE OVENS | |
|--|---|
| N70 FULL TOUCH 1 | N50 DIAL CONTROL & LCD SCREEN |
| Colours Available | Graphite Grey Stainless Steel |
| OPERATION | |
| Full Touch 1 (FT1) | Dial Control & LCD Screen |
| SPECIAL FEATURES | |
| Slide & Hide® With Rotating Handle Drop Down Door Available | Slide & Hide® with Fixed Handle * Drop Down Door Available |
| • | Selected models only |
| SPECIAL FEATURES | |
| Features available within the Value Class | |
| Intensive Steam 120° (Full Steam) | • |
| Vario Steam® | • |
| Dough Proving w/ Vario Steam® | • |
| Keep Warm w/ Vario Steam® | • |
| Reheat w/Vario Steam® | • |
| Circo Therm® | • |
| Circo Therm® Gentle | • |
| Top/bottom heat Gentle | • |
| Bottom heat | • |
| Conventional heat/Conventional heat gentle | • |
| Low temperature cooking | • |
| Hot air grilling | • |
| Centre Surface Grill | • |
| Full surface grill | • |
| Circo Roasting | • |
| Bread Baking Function | • |
| Pizza setting | • |
| Defrost | • |
| Dough Proving | • |
| Keep Warm | • |
| Pre-heating | • |
| Plate warming | • |
| Oven capacity (L) | 71 |

Get more with NEFF HOME CONNECT

More time for your creativity and your guests.

Connections are important for NEFF and the connections that we make over food are our favourite ones. When we share a meal with family and friends, we share a connection around the table but sometimes we all need a little help. When you're in need of a little creative inspiration, having a partner in the kitchen can make those connections easier and stress free...



Perfect Partners

With food it's not always about the refined presentation – it's about the flavour, the joy and the pleasure those shared meals bring. Stay better connected with your guests with oven control and monitoring via smartphone or voice control. No more dashing back and forth to the kitchen – enjoy the benefits of our technology partnerships for perfect cooking results every time!



Looking for Inspiration?

Want to find a new way to cook something or have a lot of seasonal ingredients? Spend some time with our recipe partners on NEFF Home Connect and be inspired by others!

kitchen stories

ANYONE CAN COOK



Got your hands full creating your next dish?

Achieving perfect results has never been easier with Oven Assistant – simply use the NEFF Home Connect app or ask Alexa to find the perfect setting for your dish.



Sharing Favourites

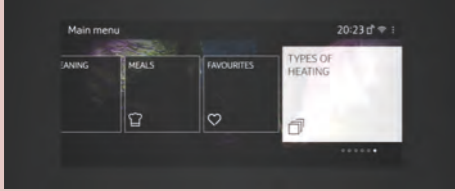
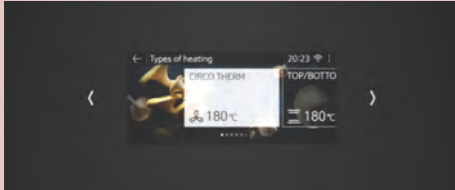

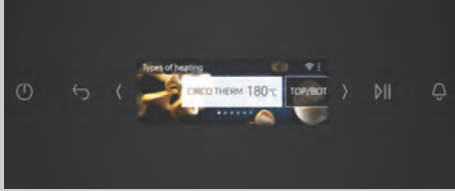

We all have our favourite recipes, the ones that connect us, make us feel nostalgic and the ones that keep us at the table until the last morsel has been enjoyed. Let your oven in on the secret – share oven settings for your favourite recipe for quick, convenient access and it'll be ready to go whenever you feel inspired!



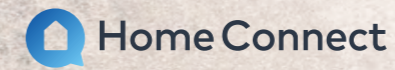
N90 and N70 Oven Range

All single ovens have:
• Circo Therm®



| DISPLAY TYPE | SLIDE & HIDE® SINGLE OVENS - WITH ROTATING HANDLE AND SOFT/OPEN CLOSE | | | |
|--|--|---|--|---|
| | WITH INTENSIVE STEAM | WITH VARIO STEAM® | | |
|  <p>FULL TOUCH 3 - 6.8" FULL TOUCH TFT DISPLAY</p> |  <p>B64FT53G0B • 22 Functions • Intensive Steam • Multipoint Temperature Probe</p> |  <p>B64VT73G0B • 20 Functions • Vario Steam® • Pyrolytic • Multipoint Temperature Probe</p> |  <p>B64CT73G0B • 14 Functions • Pyrolytic • Multipoint Temperature Probe</p> | |
|  <p>FULL TOUCH 2 - 4.1" FULL TOUCH TFT DISPLAY</p> |  <p>B64FS31G0B • 22 Functions • Intensive Steam</p> |  <p>B64VS71G0B • 20 Functions • Vario Steam® • Pyrolytic</p> |  <p>B64CS71G0B • 14 Functions • Pyrolytic</p> |  <p>B64CS51G0B • 14 Functions</p> |
| DISPLAY TYPE | SLIDE & HIDE® SINGLE OVENS - WITH SOFT OPEN | | | |
|  <p>FULL TOUCH 1 - N70 3.7" FULL TOUCH TFT DISPLAY</p> | | |  <p>GRAPHITE GREY: B54CR71G0B STAINLESS STEEL: B54CR71N0B • 14 Functions • Pyrolytic</p> |  <p>GRAPHITE GREY: B54CR31G0B STAINLESS STEEL: B54CR31N0B • 14 Functions</p> |
| DISPLAY TYPE | DROP DOWN DOOR - WITH SOFT/OPEN CLOSE | | | |
|  <p>FULL TOUCH 1 - N70 3.7" FULL TOUCH TFT DISPLAY</p> | | |  <p>B24CR71G0B • 14 Functions • Pyrolytic</p> |  <p>B24CR31G0B • 14 Functions</p> |

All compact ovens have:
• Soft Open / Close door



| COMPACT OVENS | | | COFFEE MACHINE | MICROWAVES | | |
|--|---|--|---|---|---|--|
| WITH STEAM | WITH MICROWAVE | | | WITHOUT GRILL | WITH GRILL | DROP DOWN DOOR WITH GRILL |
|  <p>C24FT53G0B • 22 Functions • Intensive Steam • Multipoint Temperature Probe</p> |  <p>C24MT73G0B • 20 Functions • Pyrolytic • Multipoint Temperature Probe</p> | |  <p>CL4TT11G0 • 11 Functions • Left Hinged Door</p> | | | |
|  <p>C24FS31G0B • 22 Functions • Intensive Steam</p> |  <p>C24MS31G0B • 20 Functions</p> |  <p>C24MS71G0B • 20 Functions • Pyrolytic</p> | | | | |
| |  <p>GRAPHITE GREY: C24MR21G0B STAINLESS STEEL: C24MR21N0B • 20 Functions</p> | | |  <p>LEFT HINGE: NL4WR21G1B RIGHT HINGE: NR4WR21G1B • Up to 900w • 5 power levels</p> |  <p>LEFT HINGE: NL4GR31G1B RIGHT HINGE: NR4GR31G1B • MW + grill • Up to 900w</p> |  <p>C24GR3XG1B • Up to 1000w • 9 power levels • MW + grill</p> |
| DISPLAY TYPE | | | 14CM DRAWERS | | 29CM DRAWERS | |
| | | | ACCESSORY DRAWER | WARMING DRAWER | WARMING DRAWER | |
| <p>All drawers have: • Push / Pull opening • 6 temperature settings (excludes Accessory Drawer)</p> | | |  <p>N24ZA11G1</p> |  <p>GRAPHITE GREY: N24HA11G1B STAINLESS STEEL: N24HA11N1B</p> |  <p>GRAPHITE GREY N34HA11G1B STAINLESS STEEL: N34HA11N1B</p> | |

THE NEFF OVEN COLLECTIONS

HOBS








VENTILATION





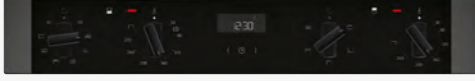


REFRIGERATION








DISHWASHING

LAUNDRY

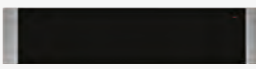
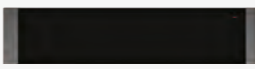

N50 Oven Range

| DISPLAY TYPE | SLIDE & HIDE® SINGLE OVENS - WITH FIXED HANDLE* | | |
|--|---|---|---|
|  <p>GRAPHITE GREY WITH LCD DISPLAY</p> |  <p>B6ACH7AG7B • 8 Functions • Pyrolytic • Home Connect</p> |  <p>B3ACE4AG3B • 7 Functions</p> | |
|  <p>STAINLESS STEEL WITH LCD DISPLAY</p> |  <p>B6ACH7AN7B • 8 Functions • Pyrolytic • Home Connect</p> |  <p>B3ACE4AN3B • 7 Functions</p> |  <p>B4ACF1AN3B • 6 Functions • *Rotating Handle</p> |

| DISPLAY TYPE | DOUBLE OVEN RANGE | | |
|--|---|---|--|
|  <p>STAINLESS STEEL WITH LCD DISPLAY</p> |  <p>U2ACH7AN7B • 8/4 Functions • Pyrolytic • Home Connect</p> |  <p>U1ACE5HN0B • 6/4 Functions</p> |  <p>U1ACE2AN3B • 5/4 Functions</p> |
|  <p>GRAPHITE GREY WITH LCD DISPLAY</p> |  <p>U2ACH7AG7B • 8/4 Functions • Pyrolytic • Home Connect</p> | |  <p>U1ACE2AG3B • 5/4 Functions</p> |

| OVENS WITH DROP DOWN DOOR | COMPACT OVENS | MICROWAVES | |
|---|--|--|--|
|  <p>B2ACH7AG7B • 8 Functions • Pyrolytic • Home Connect</p> |  <p>B1ACE4AG3B • 6 Functions</p> |  <p>C1AMG84G1B • 3 Functions • Microwave</p> |  <p>HLAWD23G0B • 5 Functions</p> |
| |  <p>C1AMG84N1B • 3 Functions • Microwave</p> |  <p>HLAWD53N0B • 5 Functions</p> |  <p>HLAWD23N0B • 5 Functions</p> |

| BUILT UNDER DOUBLE OVEN RANGE |
|---|
|  <p>J1ACE2HN0B • 20 Functions</p> |

| WARMING DRAWERS | 14CM DRAWERS | | 29CM DRAWERS |
|--|--|--|--|
| | STAINLESS STEEL | GRAPHITE GREY | STAINLESS STEEL |
| <p>All drawers have:</p> <ul style="list-style-type: none"> • Push / Pull opening • 6 temperature settings (excludes Accessory Drawer) |  <p>N1AHA01N0B</p> |  <p>N1AHA01G0B</p> |  <p>N1AHA02N0B</p> |

Create a sleek and stylish finish with Seamless Combinations

NEFF allows you the freedom to choose the appliances that suit your cooking style – and when it comes to design within our N90 & N70 Slide & Hide® 60cm single ovens and the majority of our 45cm compact ovens you can install a seamless look.

N90 and N70 Graphite Grey

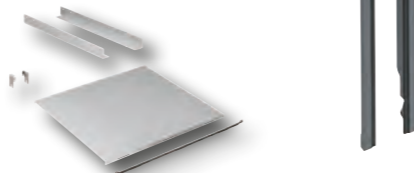
Seamless Combination® strips – Z11SZ60G0
For 45cm Compact Oven with 14cm Warming Drawer



Seamless Combination® strips – Z11SZ80G0
For 60cm Single Slide & Hide® Oven with 29cm Warming Drawer



Seamless Combination® strips – Z11SZ90G0*
For 60cm Single Slide & Hide® Oven with 45cm Compact Oven (special aperture applies)



* From November new code and new platform – Z11SZ90G1

Black Cosmetic Decor strip – Z13CV06S0
For use between 60cm single and 45cm compact ovens



Compact Oven – C24MT73G0B
Compact Pyrolytic Oven with Microwave and a Full Touch 3 display



Warming Drawer – N24HA11G1B
N70 / N90

Single Oven – B64VT73G0B
Slide & Hide® Single Oven with Pyrolytic, Vario Steam® and a Full Touch 3 display



Warming Drawer – N34HA11G1B
Warming Drawer N90 / N70

Compact Oven – C24FT53G0B
Compact Steam Oven with Intensive Steam and a Full Touch 3 display



Single Oven – B64FT53G0B
Slide & Hide® Single Oven with Intensive Steam and a Full Touch 3 display

Mix and match your appliances

You can combine single ovens with a Slide & Hide® door in the N90 & N70 range.

It is not possible to seamlessly combine any models in this value class with a drop-down door. It is also not possible to combine the N50 range seamlessly – this is due to where the fixing points are on the appliance.

The N90 & N70 Range combinations, illustrated below, are:

- 45cm Compact oven* with a 14cm warming drawer.
- 60cm Single Slide & Hide® oven with a 29cm warming drawer.
- 45cm Compact oven* with a 60cm Single Slide & Hide® oven.
- Possible in Graphite Grey & Stainless Steel trim colour.

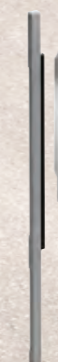
* This cannot be done on the following C24GR3XG1B or CL4T11G0.

N70 Stainless Steel

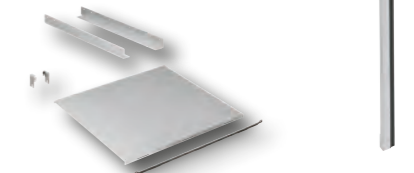
Seamless Combination® strips – Z11SZ60X0
For 45cm Compact Oven with 14cm Warming Drawer



Seamless Combination® strips – Z11SZ80X1
For 60cm Single Slide & Hide® Oven with 29cm Warming Drawer



Seamless Combination® strips – Z11SZ90X0*
For 60cm Single Slide & Hide® Oven with 45cm Compact Oven (special aperture applies)



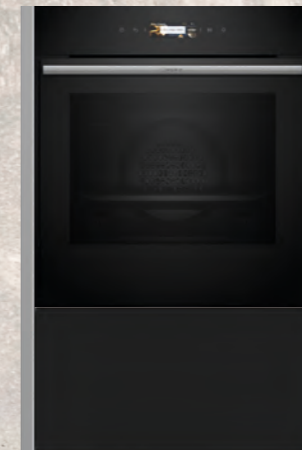
* From November new code and new platform – Z11SZ90X1

Compact Oven – C24MR21N0B
Compact Oven with Microwave and a Full Touch 1 display



Warming Drawer – N24HA11N1B
Warming Drawer N70 / N90

Single Oven – B54CR31N0B
Single Oven with a Full Touch 1 display



Warming Drawer – N34HA11N1B
Warming Drawer N90 / N70

Compact Oven – C24MR21N0B
Compact Oven with Microwave and a Full Touch 1 display



Single Oven – B54CR71N0B
Slide & Hide® Single Pyrolytic Oven with Full Touch 1 display

Core Range Ovens - N90 / N70 Graphite Grey Trim

N90 - FULL TOUCH 3 - 6.8" FULL TOUCH TFT DISPLAY.

| Collection | Display Size | Oven Description | No of Functions | Steam | Model Code |
|------------|--------------|---|-----------------|--------------|------------|
| N90 | Full Touch 3 | Slide & Hide® Single Oven with Intensive Steam | 22 | Intensive | B64FT53G0B |
| N90 | Full Touch 3 | Slide & Hide® Single Pyrolytic Oven with Vario Steam® | 20 | Vario Steam® | B64VT73G0B |
| N90 | Full Touch 3 | Slide & Hide® Single Pyrolytic Oven | 14 | | B64CT73G0B |
| N90 | Full Touch 3 | Compact Steam Oven with Intensive Steam | 22 | Intensive | C24FT53G0B |
| N90 | Full Touch 3 | Compact Pyrolytic Oven with Microwave | 20 | | C24MT73G0B |
| N90 | Full Touch 3 | Compact 45cm Coffee Machine | 11 | | CL4TT11G0 |

N90 - FULL TOUCH 2 - 4.1" FULL TOUCH TFT DISPLAY.

| Collection | Display Size | Oven Description | No of Functions | Steam | Model Code |
|------------|--------------|---|-----------------|--------------|------------|
| N90 | Full Touch 2 | Slide & Hide® Single Oven with Intensive Steam | 22 | Intensive | B64FS31G0B |
| N90 | Full Touch 2 | Slide & Hide® Single Pyrolytic Oven with Vario Steam® | 20 | Vario Steam® | B64VS71G0B |
| N90 | Full Touch 2 | Slide & Hide® Single Pyrolytic Oven | 14 | | B64CS71G0B |
| N90 | Full Touch 2 | Slide & Hide® Single Oven | 14 | | B64CS51G0B |
| N90 | Full Touch 2 | Compact Steam Oven | 22 | Intensive | C24FS31G0B |
| N90 | Full Touch 2 | Compact Oven with Microwave | 20 | | C24MS31G0B |
| N90 | Full Touch 2 | Compact Pyrolytic Oven with Microwave | 20 | | C24MS71G0B |

N70 - FULL TOUCH 1 - 3.7" FULL TOUCH TFT DISPLAY.

| Collection | Display Size | Oven Description | No of Functions | Steam | Model Code |
|------------|--------------|---|-----------------|-------|------------|
| N70 | Full Touch 1 | Slide & Hide® Single Pyrolytic Oven | 14 | | B54CR71G0B |
| N70 | Full Touch 1 | Slide & Hide® Single Oven | 14 | | B54CR31G0B |
| N70 | Full Touch 1 | Single Pyrolytic Oven | 14 | | B24CR71G0B |
| N70 | Full Touch 1 | Single Oven | 14 | | B24CR31G0B |
| N70 | Full Touch 1 | Compact Oven with Microwave | 20 | | C24MR21G0B |
| N70 | Full Touch 1 | Compact Oven with Microwave | 20 | | C24GR3XG1B |
| N70 | Full Touch 1 | Microwave with Grill - Up to 900W - Left Hinged Door | | | NL4GR31G1B |
| N70 | Full Touch 1 | Microwave with Grill - Up to 900W - Right Hinged Door | | | NR4GR31G1B |
| N70 | Full Touch 1 | Microwave Only - Up to 900W, 21 Litre - Left Hinged Door | | | NL4WR21G1B |
| N70 | Full Touch 1 | Microwave Only - Up to 900W, 21 Litre - Right Hinged Door | | | NR4WR21G1B |

N90/N70 DRAWER RANGE

| Collection | Drawer Range | Model Code |
|------------|-----------------------|------------|
| N90/70 | 29cm Warming Drawer | N34HA11G1B |
| N90/70 | 14cm Warming Drawer | N24HA11G1B |
| N90/70 | 14cm Accessory Drawer | N24ZA11G1 |

CORE RANGE SEAMLESS COMBINATION STRIPS - GRAPHITE GREY

| Collection | Drawer Range | Model Code |
|------------|---|------------|
| N90/70 | 2 x 105cm Side Strips, Metal Platform & Brackets to install an N90 or an N70 single oven with a 45cm compact oven in column. (Single aperture required.) * Code Change November 2025 – Z11SZ90G1. New Design intermediate platform. | Z11SZ90G0* |
| N90/70 | 2 x 90cm Side Strips to install an N90 or an N70 single oven with a 29cm warming drawer in column. | Z11SZ80G0 |
| N90/70 | 2 x 60cm Side Strips to install an N90 or an N70 compact oven with a 14cm drawer in column. | Z11SZ60G0 |
| N90/70/50 | Black Cosmetic Decor strip for use between 60cm single and 45cm compact ovens | Z13CV06S0 |

Core Range Ovens - N70 Stainless Steel Trim

N70 - FULL TOUCH 1 - 3.7" FULL TOUCH TFT DISPLAY.

| Collection | Display Size | Oven Description | No of Functions | Steam | Model Code |
|------------|--------------|-------------------------------------|-----------------|-------|------------|
| N70 | Full Touch 1 | Slide & Hide® Single Pyrolytic Oven | 14 | | B54CR71N0B |
| N70 | Full Touch 1 | Slide & Hide® Single Oven | 14 | | B54CR31N0B |
| N70 | Full Touch 1 | Compact Oven with Microwave | 20 | | C24MR21N0B |

N70 DRAWER RANGE

| Collection | Drawer Range | Model Code |
|------------|----------------------|------------|
| N70 | 29cm Warming Drawer | N34HA11N1B |
| N70 | 14 cm Warming Drawer | N24HA11N1B |

CORE RANGE SEAMLESS COMBINATION STRIPS - STAINLESS STEEL

| Collection | Drawer Range | Model Code |
|------------|---|------------|
| N70 | 2 x 105cm Side Strips, Metal Platform & Brackets to install an N90 or an N70 single oven with a 45cm Compact oven in column. (Single aperture required.) * Code Change November 2025 – Z11SZ90X1. New Design Intermediate platform. | Z11SZ90X0* |
| N70 | 2 x 90cm Side Strips to install an N90 or an N70 single oven with a 29cm warming drawer in column. | Z11SZ80X1 |
| N70 | 2 x 60cm Side Strips to install an N90 or an N70 compact oven with a 14cm drawer in column. | Z11SZ60X0 |



Core Range Ovens - N50

| NEFF N50 OVENS WITH SLIDE & HIDE® DOOR | | | | | | |
|--|--------------|--------------------------------------|-----------------|-----------------|--------------|------------|
| Collection | Display Size | Oven Description | No of Functions | Colour | Home Connect | Model Code |
| N50 | LCD Display | Slide & Hide® Single Pyrolytic Ovens | 8 | Graphite Grey | Yes | B6ACH7AG7B |
| N50 | LCD Display | Slide & Hide® Single Pyrolytic Ovens | 8 | Stainless Steel | Yes | B6ACH7AN7B |
| N50 | LCD Display | Slide & Hide® Single Ovens | 7 | Graphite Grey | | B3ACE4AG3B |
| N50 | LCD Display | Slide & Hide® Single Ovens | 7 | Stainless Steel | | B3ACE4AN3B |
| N50 | LCD Display | Slide & Hide® Single Ovens | 6 | Graphite Grey | | B4ACF1AN3B |

| NEFF N50 OVENS WITH DROP DOWN DOOR | | | | | | |
|------------------------------------|--------------|------------------------|-----------------|---------------|--------------|------------|
| Collection | Display Size | Oven Description | No of Functions | Colour | Home Connect | Model Code |
| N50 | LCD Display | Single Pyrolytic Ovens | 8 | Graphite Grey | Yes | B2ACH7AG7B |
| N50 | LCD Display | Single Ovens | 6 | Graphite Grey | | B1ACE4AG3B |

| NEFF N50 COMPACT OVENS & MICROWAVES | | | | | | |
|-------------------------------------|-------------------|--|-----------------|-----------------|--------------|------------|
| Collection | Display Size | Oven description | No of Functions | Colour | Home Connect | Model Code |
| N50 | LCD Display | Compact 45cm Microwave Combination Ovens | 3 | Graphite Grey | | C1AMG84G1B |
| N50 | LCD Display | Compact 45cm Microwave Combination Ovens | 3 | Stainless Steel | | C1AMG84N1B |
| N50 | White LCD Display | Microwave Ovens | 5 | Stainless Steel | | HLAWD53N0B |
| N50 | White LCD Display | Microwave Ovens | 5 | Graphite Grey | | HLAWD23G0B |
| N50 | White LCD Display | Microwave Ovens | 5 | Stainless Steel | | HLAWD23N0B |

| N50 DOUBLE OVEN RANGE | | | | | | |
|-----------------------|--------------|------------------------|-----------------|-----------------|--------------|------------|
| Collection | Display Size | Oven Description | No of Functions | Colour | Home Connect | Model Code |
| N50 | LCD Display | Double Ovens Pyrolytic | 8/4 | Graphite Grey | Yes | U2ACH7AG7B |
| N50 | LCD Display | Double Ovens Pyrolytic | 8/4 | Stainless Steel | Yes | U2ACH7AN7B |
| N50 | LCD Display | Double Ovens | 6/4 | Stainless Steel | | U1ACE5HN0B |
| N50 | LCD Display | Double Ovens | 5/4 | Graphite Grey | | U1ACE2AG3B |
| N50 | LCD Display | Double Ovens | 5/4 | Stainless Steel | | U1ACE2AN3B |

| N50 BUILT UNDER DOUBLE OVEN RANGE | | | | | | |
|-----------------------------------|--------------|--------------------------|-----------------|-----------------|--------------|------------|
| Collection | Display Size | Oven Description | No of Functions | Colour | Home Connect | Model Code |
| N50 | LCD Display | Built under Double Ovens | 6/4 | Stainless Steel | | J1ACE2HN0B |

| N50 DRAWER RANGE | | | | | | |
|------------------|---------------------|--|--|-----------------|--|------------|
| Collection | Drawer Range | | | Colour | | Model Code |
| N50 | 29cm Warming Drawer | | | Stainless Steel | | N1AHA02N0B |
| N50 | 14cm Warming Drawer | | | Graphite Grey | | N1AHA01G0B |
| N50 | 14cm Warming Drawer | | | Stainless Steel | | N1AHA01N0B |

Optional Accessories for Ovens and Compacts

| NEFF OPTIONAL ACCESSORIES | DESCRIPTION | SUITABLE FOR |
|---|---|---|
| SHELVES & INTERNAL RAILS | | |
| Z11CR10X0 | Full width wire shelf. | N90 & N70 single & compact ovens and N50 single ovens. |
| Z1608BX0 | 1 pair of level independent telescopic shelf rails with stop, fully extendible, for non-pyrolytic, non-full steam. | N70 & N90 ovens |
| Z1608CX0 | 1 pair of level independent telescopic shelf rails with stop, fully extendible. | N70 & N90 Pyrolytic ovens |
| Z1608DX0 | 1 pair of level independent telescopic shelf rails with stop, fully extendible. | N90 Steam ovens |
| Z1650BE0 | 2 piece, half depth enamel pan set. | N90 Steam ovens |
| Z11TI15X0 | 1 pair of level independent ClipRail telescopic rails. | N50 single and double ovens |
| AIR FRYER ACCESSORY - AIR FRY FUNCTION AVAILABLE AS A HOME CONNECT DOWNLOAD. | | |
| Z1655CA0 | Air Fryer & Grill tray. | Required for Air Fry Function, for NEFF ovens with Home Connect. |
| INTERMEDIATE PLATFORM | | |
| Z11SZ00X0* | Intermediate Floor for combining 2 ovens. * New Code November 2025 – Z166CAX0. | N90 & N70 |
| SEAMLESS COMBINATION ACCESSORIES - GRAPHITE GREY | | |
| Z11SZ60G0 | Seamless Combination strips - 45cm Compact & 14cm Drawer. Graphite Grey | N90 & N70 Compact Ovens & 14cm Warming Drawer. NOT suitable for 45cm N90 Coffee machine or C24GR3XG1B - N70 Compact Microwave. |
| Z11SZ80G0 | Seamless Combination strips - 60cm Slide & Hide® Single Oven & 29cm Warming Drawer - Graphite Grey | N90 & N70 60cm Slide&Hide single ovens and 29cm warming drawer. |
| Z11SZ90G0 | Seamless Combination strips, metal platform and brackets for Slide & Hide® single oven and selected 45cm Compact ovens in column. Graphite Grey | N90 & N70 single oven and selected 45cm Compact (special single aperture required; not suited to Coffee Machine and C24GR3XG1B) |
| SEAMLESS COMBINATION ACCESSORIES - STAINLESS STEEL | | |
| Z11SZ60X0 | Seamless Combination strips - 45cm Compact & 14cm Drawer. Stainless Steel | N90 & N70 Compact Ovens & 14cm Warming Drawer. NOT suitable for 45cm N90 Coffee machine. |
| Z11SZ80X1 | Seamless Combination strips - 60cm Slide & Hide® Single Oven & 29cm Warming Drawer - Stainless Steel | N90 & N70 60cm Slide&Hide single ovens and 29cm warming drawer. |
| Z11SZ90X0 | Seamless Combination strips, metal platform and brackets for Slide & Hide® single oven and selected 45cm Compact ovens in column. Stainless Steel | N90 & N70 single oven and selected 45cm Compact (special single aperture required; not suited to Coffee Machine) |
| SEAMLESS COMBINATION ACCESSORIES -OTHER | | |
| Z13CV06S0 | Cosmetic decor strip for use between 60cm single and 45cm compact ovens | N90, N70, N50 |
| MEATPROBE | | |
| Z1365WX0 | Multi Point Temperature Probe – can be used in the oven, on the hob & on the BBQ. Connect with NEFF Home Connect App. | For all temperature based cooking. |

THE NEFF OVEN COLLECTIONS

HOBES

VENTILATION

REFRIGERATION

DISHWASHING

LAUNDRY

N90 Full Touch 3 Single & Compact Ovens

- Electronic, 6.8" Premium Full Touch TFT Display on all models
- All ovens feature Circo Therm®



60CM SLIDE & HIDE® SINGLE OVEN

| INTENSIVE STEAM B64FT53G0B N90 | VARIO STEAM®/PYROLYTIC B64VT73G0B N90 | PYROLYTIC B64CT73G0B N90 |
|--|--|---|
| <ul style="list-style-type: none"> • 22 functions, inc. Full Steam • Multi Point Temperature Probe • Rotating handle • Soft open/close door • Graphite Grey | <ul style="list-style-type: none"> • 20 functions, inc. Vario Steam® • Multi Point Temperature Probe • Rotating handle • Soft open/close door • Graphite Grey | <ul style="list-style-type: none"> • 14 functions • Multi Point Temperature Probe • Rotating handle • Soft open/close door • Graphite Grey |
| | | |

| CONTROLS | | | |
|---|---|---|---|
| Electronic control | ● | ● | ● |
| Temperature proposal with display | ● | ● | ● |
| Heating up indicator / Residual heat indicator | ●/● | ●/● | ●/● |
| Control panel lock / Safety switch off | ●/● | ●/● | ●/● |
| Automatic programmes | ● | ● | ● |
| SPECIAL FEATURES | | | |
| Door type | Slide & Hide® With Rotating Handle, SoftClose | Slide & Hide® With Rotating Handle, SoftClose | Slide & Hide® With Rotating Handle, SoftClose |
| Soft open door | ● | ● | ● |
| Oven Assistant with Voice Control | ● | ● | ● |
| Home Connect | ● | ● | ● |
| Telescopic Rail | Available as an accessory | Available as an accessory | Available as an accessory |
| Multi Point Temperature Probe | ● | ● | ● |
| Single Point Meat Probe | ● | ● | ● |
| Rapid heat up | ● | ● | ● |
| Baking and roasting assistant | ● | ● | ● |
| FEATURES | | | |
| Electronic clock / timer | White TFT Display | White TFT Display | White TFT Display |
| Full glass inner door | ● | ● | ● |
| Glazed door (Quadruple / Triple/Double) | Triple (CoolTouch door) | Quadruple (CoolTouch door) | Quadruple (CoolTouch door) |
| Internal lighting | LED Light | LED Light | LED Light |
| Water tank empty indicator | ● | ● | ● |
| COOKING FUNCTIONS | | | |
| FullSteam 100% / Intensive Steam | 22 | 20 | 14 |
| Vario Steam® | ● | ● | ● |
| Steam Boost | ● | ● | ● |
| Keep Warm with Added Steam / Reheat with Added Steam | ●/● | ●/● | ●/● |
| Circo Therm® | ● | ● | ● |
| Circo Therm® Gentle / Top / bottom heat Gentle | ●/●/● | ●/●/● | ●/●/● |
| Bottom heat | ● | ● | ● |
| Conventional heat / Conventional heat gentle | ●/● | ●/● | ●/● |
| Low temperature cooking / Pre-heating | ●/● | ●/● | ●/● |
| Circo Roasting / Hot air grilling | ●/● | ●/● | ●/● |
| Full surface grill / Centre Surface Grill | ●/● | ●/● | ●/● |
| Bread Baking Function / Pizza setting / Plate warming | ●/●/● | ●/●/● | ●/●/● |
| Defrost / Dough Proving / Keep warm | ●/●/● | /●/● | /● |
| Microwave Power Settings | W | | |
| Microwave Cooking Programmes | | | |
| OVEN CLEANING | | | |
| Pyrolytic cleaning | | ● | ● |
| Easy Clean® / Base Clean | ●/● | ●/● | ●/● |
| Eco Clean Surface | ● | ● | ● |
| Cleaning setting | ● | ● | ● |
| Descaling programme | ● | ● | ● |
| STANDARD ACCESSORIES | | | |
| Universal pan | 1 | 1 | 1 |
| Combination Grid | 2 | 2 | 2 |
| ENERGY EFFICIENCY¹ | | | |
| Energy efficiency class | A+ | A+ | A+ |
| Energy consumption per cycle Circo Therm® kWh | 0.69 | 0.69 | 0.69 |
| Energy consumption per cycle conventional kWh | 0.87 | 0.87 | 0.87 |
| Oven capacity L | 71 | 71 | 71 |
| Time to cook standard load mins | 44 | 44 | 44 |
| Largest baking sheet area cm ² | 1290 | 1290 | 1290 |
| TECHNICAL INFORMATION | | | |
| Total connected load kW | 3.6 | 3.6 | 3.6 |

45CM COMPACT OVENS

| INTENSIVE STEAM C24FT53G0B N90 | PYROLYTIC/WITH MICROWAVE C24MT73G0B N90 |
|--|---|
| <ul style="list-style-type: none"> • 22 functions, inc. Full Steam • Multi Point Temperature Probe • Rotating handle • Soft open/close door • Graphite Grey | <ul style="list-style-type: none"> • 22 functions, inc. Pyrolytic • Multi Point Temperature Probe • Rotating handle • Soft open/close door • Graphite Grey |
| | |

| | | |
|---|---------------------------|----------------------------|
| Electronic control | ● | ● |
| Temperature proposal with display | ● | ● |
| Heating up indicator / Residual heat indicator | ●/● | ●/● |
| Control panel lock / Safety switch off | ●/● | ●/● |
| Automatic programmes | ● | ● |
| SPECIAL FEATURES | | |
| Door type | Drop Down, soft close | Drop Down, soft close |
| Soft open door | ● | ● |
| Oven Assistant with Voice Control | ● | ● |
| Home Connect | ● | ● |
| Telescopic Rail | Available as an accessory | Factory Fitted |
| Multi Point Temperature Probe | ● | ● |
| Single Point Meat Probe | ● | ● |
| Rapid heat up | ● | ● |
| Baking and roasting assistant | ● | ● |
| FEATURES | | |
| Electronic clock / timer | ● | ● |
| Full glass inner door | ● | ● |
| Glazed door (Quadruple / Triple/Double) | Triple (CoolTouch door) | Quadruple (CoolTouch door) |
| Internal lighting | LED Light | LED Light |
| Water tank empty indicator | ● | ● |
| COOKING FUNCTIONS | | |
| FullSteam 100% / Intensive Steam | 22 | 20 |
| Vario Steam® | ● | ● |
| Steam Boost | ● | ● |
| Keep Warm with Added Steam / Reheat with Added Steam | ●/● | ●/● |
| Circo Therm® | ● | ● |
| Circo Therm® Gentle / Top / bottom heat Gentle | ●/●/● | ●/●/● |
| Bottom heat | ●/● | ●/● |
| Conventional heat / Conventional heat gentle | ●/● | ●/● |
| Low temperature cooking / Pre-heating | ●/● | ●/● |
| Circo Roasting / Hot air grilling | ●/● | ●/● |
| Full surface grill / Centre Surface Grill | ●/● | ●/● |
| Bread Baking Function / Pizza setting / Plate warming | ●/●/● | ●/●/● |
| Defrost / Dough Proving / Keep warm | ●/●/● | -/●/● |
| Microwave Power Settings | | 90, 180, 360, 600, boost |
| Microwave Cooking Programmes | | ● |
| OVEN CLEANING | | |
| Pyrolytic cleaning | | ● |
| Easy Clean® / Base Clean | ●/● | ●/● |
| Eco Clean Surface | ● | ● |
| Cleaning setting | ● | ● |
| Descaling programme | ● | ● |
| STANDARD ACCESSORIES | | |
| Universal pan | | |
| Combination Grid | | |
| ENERGY EFFICIENCY¹ | | |
| Energy efficiency class | A+ | |
| Energy consumption per cycle Circo Therm® kWh | 0.61 | |
| Energy consumption per cycle conventional kWh | 0.73 | |
| Oven capacity L | 47 | 45 |
| Time to cook standard load mins | 40.5 | |
| Largest baking sheet area cm ² | 1290 | 1290 |
| TECHNICAL INFORMATION | | |
| Total connected load kW | 3.3 | 3.6 |

45CM COFFEE CENTRE

| CL4TT11G0 N90 |
|---|
| <ul style="list-style-type: none"> • Multiple international coffee variations • Strength and aroma management • Left hinged door • Graphite Grey • Not possible to seamlessly combine this appliance |
| |

| | |
|---|--------------|
| OPERATION | |
| Premium Full Touch TFT Display Type | Full Touch 3 |
| Screen Size | 6.8" |
| CONTROLS | |
| Electronic control | ● |
| Water level indicator | ● |
| Descaling indicator | ● |
| Automatic programmes | ● |
| Child Safety | ● |
| Child Lock | ● |
| Home Connect | ● |
| FEATURES | |
| Left-hand Door Hinge | ● |
| Automatic milk amount detection | ● |
| Height adjustable beverage outlet (max 15cm) | ● |
| One Touch Double Cup | ● |
| Illuminated coffee outlet, stage and interior | ● |
| Water Pump (19 bar pressure) | ● |
| 6 adjustable grinding degree settings (multi-level) | ● |
| 30 min Auto-standby | ● |
| FLAVOUR FEATURES | |
| Up to 29 Coffee Specialties | ● |
| Coffee Pot Function | ● |
| Aroma Select | ● |
| Warm milk | ● |
| Milk froth | ● |
| Hot water function | ● |
| Adjustable milk ratio | ● |
| Intelligent strength adjustment | ● |
| AromaDouble Shot | ● |
| CLEANING | |
| Auto Milk Clean | ● |
| Calc'nClean | ● |
| Removable Brewing Unit | ● |
| Dishwasher Proof (beverage outlet, drip tray/pans) | ● |
| Automatic reminder | ● |
| ACCESSORIES | |
| Test strip | ● |
| Cleaning Tablets | ● |
| Descaling Tablets | ● |
| BRITA Intenza Water Filter | ● |
| Care set | ● |
| ENERGY EFFICIENCY | |
| Nominal Voltage V | 220-240 |
| Total connected load kW | 1.5 |
| Mains Frequency Hz | 50 / 60 |
| TECHNICAL INFORMATION | |
| Appliance Dimensions HxWxD mm | 455x594x385 |
| Mounted Dimensions HxWxD mm | 449x558x376 |
| Removable water tank L | 2.4 |
| Integrated milk container L | 0.5 |
| Bean container with aroma protection lid g | 500 |
| Cable length cm | 170 |

N90 Full Touch 2 Single & Compact Ovens

- Electronic, 4.1" Full Touch TFT Display on all models
- All ovens feature Circo Therm®



60CM SLIDE & HIDE® SINGLE OVEN

| | INTENSIVE STEAM B64FS31G0B N90 | VARIO STEAM® B64VS71G0B N90 | PYROLYTIC B64CS71G0B N90 |
|---|---|---|--|
| | <ul style="list-style-type: none"> • 22 functions, inc. Full Steam • Rotating handle • Soft open/close door • Graphite Grey | <ul style="list-style-type: none"> • 20 functions, inc. Vario Steam® • Rotating handle • Soft open/close door • Graphite Grey | <ul style="list-style-type: none"> • 14 functions • Rotating handle • Soft open/close door • Graphite Grey |
| | | | |
| CONTROLS | | | |
| Electronic control | • | • | • |
| Temperature proposal with display | • | • | • |
| Heating up indicator / Residual heat indicator | •/• | •/• | •/• |
| Control panel lock / Safety switch off | •/• | •/• | •/• |
| Automatic programmes | • | • | • |
| SPECIAL FEATURES | | | |
| Door type | Slide & Hide® With Rotating Handle, SoftClose | Slide & Hide® With Rotating Handle, SoftClose | Slide & Hide® With Rotating Handle, SoftClose |
| Soft open door | • | • | • |
| Oven Assistant with Voice Control | • | • | • |
| Home Connect | • | • | • |
| Telescopic Rail | Available as an accessory | Available as an accessory | Available as an accessory |
| Multi Point Temperature Probe | • | • | • |
| Single Point Meat Probe | • | • | • |
| Rapid heat up | • | • | • |
| Baking and roasting assistant | • | • | • |
| FEATURES | | | |
| Electronic clock / timer | White TFT Display | White TFT Display | White TFT Display |
| Full glass inner door | • | • | • |
| Glazed door (Quadruple / Triple/Double) | Triple (CoolTouch door) | Quadruple (CoolTouch door) | Quadruple (CoolTouch door) |
| Internal lighting | LED Light | LED Light | LED Light |
| Water tank empty indicator | • | • | • |
| COOKING FUNCTIONS | 23 | 20 | 14 |
| FullSteam 100% / Intensive Steam | • | • | • |
| Vario Steam® | • | • | • |
| Steam Boost | • | • | • |
| Keep Warm with Added Steam / Reheat with Added Steam | •/• | • | • |
| Circo Therm® | • | • | • |
| Circo Therm® Gentle / Top / bottom heat Gentle | •/•/• | •/•/• | •/•/• |
| Bottom heat | • | • | • |
| Conventional heat / Conventional heat gentle | •/• | •/• | •/• |
| Low temperature cooking / Pre-heating | •/• | •/• | •/• |
| Circo Roasting / Hot air grilling | •/• | •/• | •/• |
| Full surface grill / Centre Surface Grill | •/• | •/• | •/• |
| Bread Baking Function / Pizza setting / Plate warming | •/•/• | •/•/• | •/•/• |
| Defrost / Dough Proving / Keep warm | •/•/• | /• | /•/• |
| Microwave Power Settings | W | | |
| Microwave Cooking Programmes | | | |
| OVEN CLEANING | | | |
| Pyrolytic cleaning | • | • | • |
| Easy Clean® / Base Clean | •/• | •/• | •/• |
| Eco Clean Surface | • | • | • |
| Cleaning setting | • | • | • |
| Descaling programme | • | • | • |
| STANDARD ACCESSORIES | | | |
| Universal pan | 1 | 1 | 1 |
| Steam Container | 3 | | |
| Combination Grid | 2 | 2 | 2 |
| ENERGY EFFICIENCY ¹ | | | |
| Energy efficiency class | A+ | A+ | A+ |
| Energy consumption per cycle Circo Therm® | kWh 0.69 | kWh 0.69 | kWh 0.69 |
| Energy consumption per cycle conventional | kWh 0.87 | kWh 0.87 | kWh 0.87 |
| Oven capacity | L 71 | L 71 | L 71 |
| Time to cook standard load | mins 44 | mins 44 | mins 44 |
| Largest baking sheet area | cm ² 1290 | cm ² 1290 | cm ² 1290 |
| TECHNICAL INFORMATION | | | |
| Total connected load | kW 3.6 | kW 3.6 | kW 3.6 |

60CM SLIDE & HIDE® SINGLE OVEN

| | B64CS51G0B N90 | INTENSIVE STEAM C24FS31G0B N90 | PYROLYTIC/WITH MICROWAVE C24MS71G0B N90 | MICROWAVE C24MS31G0B N90 |
|---|--|--|---|---|
| | <ul style="list-style-type: none"> • 14 functions • Rotating handle • Soft open/close door • Graphite Grey | <ul style="list-style-type: none"> • 22 functions, inc. Full Steam • Soft open/close door • Graphite Grey | <ul style="list-style-type: none"> • 20 functions, inc. Pyrolytic • Soft open/close door • Graphite Grey | <ul style="list-style-type: none"> • 20 functions • Soft open/close door • Graphite Grey |
| | | | | |
| CONTROLS | | | | |
| Electronic control | • | • | • | • |
| Temperature proposal with display | • | • | • | • |
| Heating up indicator / Residual heat indicator | •/• | •/• | •/• | •/• |
| Control panel lock / Safety switch off | •/• | •/• | •/• | •/• |
| Automatic programmes | • | • | • | • |
| SPECIAL FEATURES | | | | |
| Door type | Slide & Hide® With Rotating Handle, SoftClose | Drop Down, soft close | Drop Down, soft close | Drop Down, soft close |
| Soft open door | • | • | • | • |
| Oven Assistant with Voice Control | • | • | • | • |
| Home Connect | • | • | • | • |
| Telescopic Rail | Available as an accessory | Available as an accessory | Factory Fitted | Factory Fitted |
| Multi Point Temperature Probe | • | • | • | • |
| Single Point Meat Probe | • | • | • | • |
| Rapid heat up | • | • | • | • |
| Baking and roasting assistant | • | • | • | • |
| FEATURES | | | | |
| Electronic clock / timer | White TFT Display | • | • | • |
| Full glass inner door | • | • | • | • |
| Glazed door (Quadruple / Triple/Double) | Triple (CoolTouch door) | Triple (CoolTouch door) | Quadruple (CoolTouch door) | Triple (CoolTouch door) |
| Internal lighting | LED Light | LED Light | LED Light | LED Light |
| Water tank empty indicator | • | • | • | • |
| COOKING FUNCTIONS | 14 | | | |
| FullSteam 100% / Intensive Steam | • | • | • | • |
| Vario Steam® | • | • | • | • |
| Steam Boost | • | • | • | • |
| Keep Warm with Added Steam / Reheat with Added Steam | •/• | •/• | •/• | •/• |
| Circo Therm® | • | • | • | • |
| Circo Therm® Gentle / Top / bottom heat Gentle | •/•/• | •/•/• | •/•/• | •/•/• |
| Bottom heat | • | • | • | • |
| Conventional heat / Conventional heat gentle | •/• | •/• | •/• | •/• |
| Low temperature cooking / Pre-heating | •/• | •/• | •/• | •/• |
| Circo Roasting / Hot air grilling | •/• | •/• | •/• | •/• |
| Full surface grill / Centre Surface Grill | •/• | •/• | •/• | •/• |
| Bread Baking Function / Pizza setting / Plate warming | /•/• | •/•/• | •/•/• | •/•/• |
| Defrost / Dough Proving / Keep warm | /•/• | •/•/• | /•/• | •/•/• |
| Microwave Power Settings | | | 90, 180, 360, 600, boost | 90, 180, 360, 600, boost |
| Microwave Cooking Programmes | | | • | • |
| OVEN CLEANING | | | | |
| Pyrolytic cleaning | • | • | • | • |
| Easy Clean® / Base Clean | •/• | •/• | •/• | •/• |
| Eco Clean Surface | • | • | • | • |
| Cleaning setting | • | • | • | • |
| Descaling programme | • | • | • | • |
| STANDARD ACCESSORIES | | | | |
| Universal pan | 1 | | | |
| Steam Container | | | | |
| Combination Grid | 2 | | | |
| ENERGY EFFICIENCY ¹ | | | | |
| Energy efficiency class | A+ | A+ | | |
| Energy consumption per cycle Circo Therm® | kWh 0.69 | kWh 0.61 | | |
| Energy consumption per cycle conventional | kWh 0.87 | kWh 0.73 | | |
| Oven capacity | L 71 | L 47 | L 45 | L 45 |
| Time to cook standard load | mins 44 | mins 40.5 | | |
| Largest baking sheet area | cm ² 1290 | cm ² 1290 | cm ² 1290 | cm ² 1290 |
| TECHNICAL INFORMATION | | | | |
| Total connected load | kW 3.6 | kW 3.3 | kW 3.6 | kW 3.6 |



1 Measured according to the EN50304, 65/2014. 2 For further information on inverter technology, please go to www.neffhome.com/uk. 3 For Inverter models, the maximum setting offers a time limited boost option for heating liquids. To ensure optimal results and to protect the appliance, the microwave power output is reduced in stages over the first few minutes down to the next power level (600W). After a cooling period, the microwave boost option will be available once more.

N70 Full Touch 1 Single Ovens





- Electronic, 3.7" Full Touch TFT Display on all models
- All ovens feature Circo Therm®



60CM SLIDE & HIDE® SINGLE OVEN

| | PYROLYTIC B54CR71G0B N70 | PYROLYTIC / STAINLESS STEEL B54CR71N0B N70 |
|---|--|--|
| | <ul style="list-style-type: none"> • 14 functions • Rotating handle • Soft open door • Graphite Grey | <ul style="list-style-type: none"> • 14 functions • Rotating handle • Soft open door • Stainless Steel |
| |  |  |
| OPERATION | | |
| Premium Full Touch TFT Display Type | Full Touch 1 | Full Touch 1 |
| Screen Size | 3.7" | 3.7" |
| CONTROLS | | |
| Electronic control | ● | ● |
| Temperature proposal with display | ● | ● |
| Heating up indicator / Residual heat indicator | ●/● | ●/● |
| Control panel lock / Safety switch off | ●/● | ●/● |
| Automatic programmes | ● | ● |
| SPECIAL FEATURES | | |
| Door type | Slide & Hide® With Rotating Handle, SoftClose | Slide & Hide® With Rotating Handle, SoftClose |
| Soft open door | ● | ● |
| Oven Assistant with Voice Control | ● | ● |
| Home Connect | ● | ● |
| Telescopic Rail | Available as an accessory | Available as an accessory |
| Rapid heat up | ● | ● |
| Baking and roasting assistant | ● | ● |
| FEATURES | | |
| Electronic clock / timer | White TFT Display | White TFT Display |
| Full glass inner door | ● | ● |
| Glazed door (Quadruple / Triple / Double) | Quadruple (CoolTouch door) | Quadruple (CoolTouch door) |
| Internal lighting | LED Light | LED Light |
| Water tank empty indicator | | |
| COOKING FUNCTIONS | 14 | 14 |
| Circo Therm® | ● | ● |
| Circo Therm® Gentle / Top / bottom heat Gentle | ●/●/● | ●/●/● |
| Bottom heat | ● | ● |
| Conventional heat / Conventional heat gentle | ●/● | ●/● |
| Low temperature cooking / Pre-heating | ●/● | ●/● |
| Circo Roasting / Hot air grilling | /● | /● |
| Full surface grill / Centre Surface Grill | ●/● | ●/● |
| Bread Baking Function / Pizza setting / Plate warming | /●/● | /●/● |
| Defrost / Dough Proving / Keep warm | /●/● | /●/● |
| OVEN CLEANING | | |
| Pyrolytic cleaning | ● | ● |
| Easy Clean® / Base Clean | ●/● | ●/● |
| Eco Clean Surface | ● | ● |
| Cleaning setting | ● | ● |
| STANDARD ACCESSORIES | | |
| Universal pan | 1 | 1 |
| Combination Grid | 2 | 2 |
| ENERGY EFFICIENCY: | | |
| Energy efficiency class | A+ | A+ |
| Energy consumption per cycle Circo Therm® kWh | 0.69 | 0.69 |
| Energy consumption per cycle conventional kWh | 0.87 | 0.87 |
| Oven capacity L | 71 | 71 |
| Time to cook standard load mins | 44 | 44 |
| Largest baking sheet area cm² | 1290 | 1290 |
| TECHNICAL INFORMATION | | |
| Total connected load kW | 3.6 | 3.6 |

60CM SLIDE & HIDE® SINGLE OVEN

| | B54CR31G0B N70 | STAINLESS STEEL B54CR31N0B N70 | PYROLYTIC/FIXED HANDLE B24CR71G0B N70 | FIXED HANDLE B24CR31G0B N70 |
|---|--|--|--|---|
| | <ul style="list-style-type: none"> • 14 functions • Rotating handle • Soft open door • Graphite Grey | <ul style="list-style-type: none"> • 14 functions • Rotating handle • Soft open door • Stainless Steel | <ul style="list-style-type: none"> • 14 functions • Fixed handle • Soft open/close door • Graphite Grey • Not possible to seamlessly combine this appliance | <ul style="list-style-type: none"> • 14 functions • Rotating handle • Soft open/close door • Stainless Steel • Not possible to seamlessly combine this appliance |
| |  |  |  |  |
| | Full Touch 1 3.7" | Full Touch 1 3.7" | Full Touch 1 3.7" | Full Touch 1 3.7" |
| CONTROLS | | | | |
| Electronic control | ● | ● | ● | ● |
| Temperature proposal with display | ● | ● | ● | ● |
| Heating up indicator / Residual heat indicator | ●/● | ●/● | ●/● | ●/● |
| Control panel lock / Safety switch off | ●/● | ●/● | ●/● | ●/● |
| Automatic programmes | ● | ● | ● | ● |
| SPECIAL FEATURES | | | | |
| Door type | Slide & Hide® With Rotating Handle, SoftClose | Slide & Hide® With Rotating Handle, SoftClose | Drop Down Door With Fixed Handle, SoftClose | Drop Down Door With Fixed Handle, SoftClose |
| Soft open door | ● | ● | ● | ● |
| Oven Assistant with Voice Control | ● | ● | ● | ● |
| Home Connect | ● | ● | ● | ● |
| Telescopic Rail | Available as an accessory | Available as an accessory | Available as an accessory | Available as an accessory |
| Rapid heat up | ● | ● | ● | ● |
| Baking and roasting assistant | ● | ● | ● | ● |
| FEATURES | | | | |
| Electronic clock / timer | White TFT Display | White TFT Display | White TFT Display | White TFT Display |
| Full glass inner door | ● | ● | ● | ● |
| Glazed door (Quadruple / Triple / Double) | Triple (CoolTouch door) | Quadruple (CoolTouch door) | Quadruple (CoolTouch door) | Triple (CoolTouch door) |
| Internal lighting | LED Light | LED Light | LED Light | LED Light |
| Water tank empty indicator | | | | |
| COOKING FUNCTIONS | 14 | 14 | 14 | 14 |
| Circo Therm® | ● | ● | ● | ● |
| Circo Therm® Gentle / Top / bottom heat Gentle | ●/●/● | ●/●/● | ●/●/● | ●/●/● |
| Bottom heat | ● | ● | ● | ● |
| Conventional heat / Conventional heat gentle | ●/● | ●/● | ●/● | ●/● |
| Low temperature cooking / Pre-heating | ●/● | ●/● | ●/● | ●/● |
| Circo Roasting / Hot air grilling | /● | /● | /● | /● |
| Full surface grill / Centre Surface Grill | ●/● | ●/● | ●/● | ●/● |
| Bread Baking Function / Pizza setting / Plate warming | /●/● | /●/● | /●/● | /●/● |
| Defrost / Dough Proving / Keep warm | /●/● | /●/● | /●/● | /●/● |
| OVEN CLEANING | | | | |
| Pyrolytic cleaning | ● | ● | ● | ● |
| Easy Clean® / Base Clean | ●/● | ●/● | ●/● | ●/● |
| Eco Clean Surface | ● | ● | ● | ● |
| Cleaning setting | ● | ● | ● | ● |
| STANDARD ACCESSORIES | | | | |
| Universal pan | 1 | 1 | 1 | 1 |
| Combination Grid | 2 | 2 | 2 | 2 |
| ENERGY EFFICIENCY: | | | | |
| Energy efficiency class | A+ | A+ | A+ | A+ |
| Energy consumption per cycle Circo Therm® kWh | 0.69 | 0.69 | 0.69 | 0.69 |
| Energy consumption per cycle conventional kWh | 0.87 | 0.87 | 0.87 | 0.87 |
| Oven capacity L | 71 | 71 | 71 | 71 |
| Time to cook standard load mins | 44 | 44 | 44 | 44 |
| Largest baking sheet area cm² | 1290 | 1290 | 1290 | 1290 |
| TECHNICAL INFORMATION | | | | |
| Total connected load kW | 3.6 | 3.6 | 3.6 | 3.6 |

N70 Full Touch 1 Compact Ovens with Microwave & Compact Microwaves

- Electronic, 3.7" Full Touch TFT Display on all models

| 45CM COMPACT OVENS | | 45CM COMPACT MICROWAVE |
|---|---|---|
| WITH MICROWAVE C24MR21G0B N70 | WITH MICROWAVE C24MR21N0B N70 | WITH GRILL C24GR3XG1B N70 |
| <ul style="list-style-type: none"> • 20 functions • Soft open/close door • Graphite Grey | <ul style="list-style-type: none"> • 20 functions • Soft open/close door • Stainless Steel | <ul style="list-style-type: none"> • MW plus Grill with combination option, up to 1000W MW output • Soft close door • Graphite Grey • Not possible to seamlessly combine this appliance |
| | | |

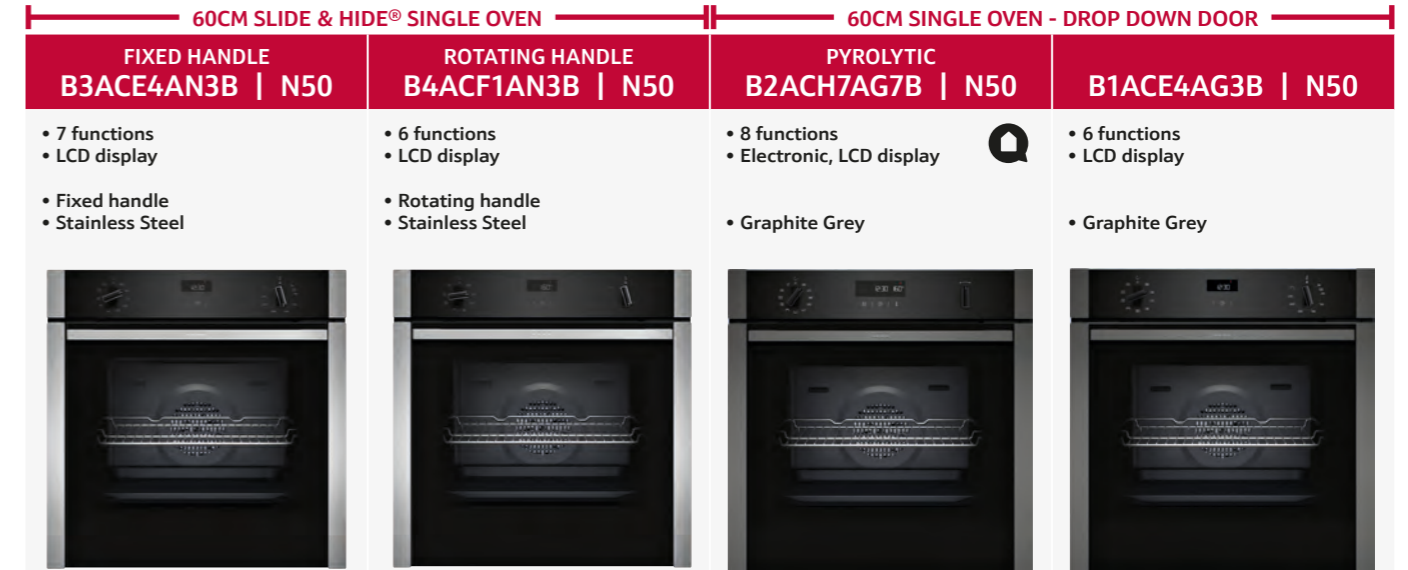
| OPERATION | | | |
|---|----------------------------|--------------------------|-------------------------|
| Premium Full Touch TFT Display Type | Full Touch 1 | Full Touch 1 | Full Touch 1 |
| Screen Size | 3.7" | 3.7" | 3.7" |
| CONTROLS | | | |
| Electronic control | • | • | • |
| Temperature proposal with display | • | • | • |
| Heating up indicator / Residual heat indicator | •/• | •/• | •/• |
| Control panel lock / Safety switch off | •/• | •/• | •/• |
| Automatic programmes | • | • | • |
| SPECIAL FEATURES | | | |
| Door type | Drop Down, soft close | Drop Down, soft close | Drop Down, soft close |
| Soft open door | • | • | |
| Oven Assistant with Voice Control | • | • | |
| Home Connect | • | • | |
| Telescopic Rail | Factory Fitted | Factory Fitted | |
| Multi Point Temperature Probe | | | |
| Single Point Meat Probe | | | |
| Rapid heat up | • | • | • |
| Baking and roasting assistant | • | • | |
| FEATURES | | | |
| Electronic clock / timer | • | • | • |
| Full glass inner door | • | • | • |
| Glazed door (Quadruple / Triple/Double) | Triple (CoolTouch door) | Triple (CoolTouch door) | Triple (CoolTouch door) |
| Internal lighting | LED Light | LED Light | LED Light |
| Water tank empty indicator | | | |
| COOKING FUNCTIONS | | | |
| FullSteam 100% / Intensive Steam | 1 heating mode | 1 heating mode | 2 heating mode |
| Circo Therm® with Added Steam | | | |
| Dough Proving with Added Steam | | | |
| Keep Warm with Added Steam | | | |
| Reheat with Added Steam | | | |
| Sous-vide cooking | | | |
| Circo Therm® | | | |
| Circo Therm® Gentle / Top / bottom heat Gentle | | | |
| Bottom heat | | | |
| Conventional heat / Conventional heat gentle | | | |
| Low temperature cooking / Pre-heating | | | |
| Circo Roasting / Hot air grilling | | | |
| Full surface grill / Centre Surface Grill | | | •/ |
| Bread Baking Function / Pizza setting / Dough proving | | | |
| Defrost / Plate warming / Keep warm | | | |
| Microwave Power Settings | W 90, 180, 360, 600, boost | 90, 180, 360, 600, boost | 90, 180, 360, 600, 1000 |
| Microwave Cooking Programmes | • | • | 3 Defrost / 4 Cooking |
| OVEN CLEANING | | | |
| Pyrolytic cleaning | | | |
| Easy Clean® / Base Clean | •/• | •/• | •/• |
| Eco Clean Surface | | | |
| Cleaning setting | • | • | • |
| Descaling programme | | | |
| ENERGY EFFICIENCY¹ | | | |
| Energy efficiency class | | | |
| Energy consumption per cycle Circo Therm® | kWh | | |
| Energy consumption per cycle conventional | kWh | | |
| Oven capacity | L | 45 | 45 |
| Time to cook standard load | mins | | |
| Largest baking sheet area | cm ² | 1290 | 1290 |
| TECHNICAL INFORMATION | | | |
| Total connected load | kW | 3.6 | 3.1 |

| 38CM MICROWAVE | | | |
|---|--|---|--|
| WITH GRILL/LEFT OPENING NL4GR31G1B N70 | WITH GRILL/RIGHT OPENING NR4GR31G1B N70 | WITHOUT GRILL/LEFT OPENING NL4WR21G1B N70 | WITHOUT GRILL/RIGHT OPENING NR4WR21G1B N70 |
| <ul style="list-style-type: none"> • MW plus Grill with combination option, up to 900W MW output, 21L • Left hinged door • Graphite Grey | <ul style="list-style-type: none"> • MW plus Grill with combination option, up to 900W MW output, 21L • Right hinged door • Graphite Grey | <ul style="list-style-type: none"> • MW only, up to 900W MW output, 21L • Left hinged door • Graphite Grey | <ul style="list-style-type: none"> • MW only, up to 900W MW output, 21L • Right hinged door • Graphite Grey |
| | | | |
| Full Touch 1 3.7" | Full Touch 1 3.7" | Full Touch 1 3.7" | Full Touch 1 3.7" |
| • • •/• •/• • | • • •/• •/• • | • • •/• •/• • | • • •/• •/• • |
| Left hinged door | Right hinged door | Left hinged door | Right hinged door |
| • | • | • | • |
| • • | • • | • • | • • |
| Double LED Light | Double LED Light | Double LED Light | Double LED Light |
| 2 heating mode | 2 heating mode | 1 heating mode | 1 heating mode |
| •/ | •/ | | |
| 90, 180, 360, 600, 900 3 Defrost / 4 Cooking | 90, 180, 360, 600, 900 3 Defrost / 4 Cooking | 90, 180, 360, 600, 900 3 Defrost / 4 Cooking | 90, 180, 360, 600, 900 3 Defrost / 4 Cooking |
| •/• | •/• | •/• | •/• |
| • | • | • | • |
| | | | |
| 21 | 21 | 21 | 21 |
| 1.99 | 1.99 | 1.22 | 1.22 |

1 Measured according to the EN50304, 65/2014. 2 For further information on inverter technology, please go to www.neffhome.com/uk. 3 For Inverter models, the maximum setting offers a time limited boost option for heating liquids. To ensure optimal results and to protect the appliance, the microwave power output is reduced in stages over the first few minutes down to the next power level (600W). After a cooling period, the microwave boost option will be available once more.

N50 Single Ovens

- Dial Control & LCD Screen on all models
- All ovens feature Circo Therm®



| | 60CM SLIDE & HIDE® SINGLE OVEN PYROLYTIC/FIXED HANDLE B6ACH7AG7B N50 | 60CM SLIDE & HIDE® SINGLE OVEN PYROLYTIC/FIXED HANDLE B6ACH7AN7B N50 | 60CM SLIDE & HIDE® SINGLE OVEN FIXED HANDLE B3ACE4AG3B N50 |
|--|--|--|--|
| OPERATION | | | |
| NEFF Design Retractable controls | • | • | • |
| CONTROLS | | | |
| Electronic control | • | • | |
| Temperature proposal with display | •/• | •/• | |
| Heating up indicator / Residual heat indicator | •/• | •/• | •/ |
| Control panel lock / Safety switch off | •/• | •/• | •/ |
| Automatic programmes | | | |
| SPECIAL FEATURES | | | |
| Door type | Slide & Hide® with Fixed Handle | Slide & Hide® with Fixed Handle | Slide & Hide® with Fixed Handle |
| Soft open door | | | |
| Oven Assistant with Voice Control | | | |
| Home Connect | • | • | |
| Telescopic Rail | Available as an accessory | Available as an accessory | Available as an accessory |
| Multi Point Temperature Probe | | | |
| Single Point Meat Probe | | | |
| Rapid heat up | | | |
| Baking and roasting assistant | | | |
| FEATURES | | | |
| Electronic clock / timer | White LCD Display | White LCD Display | White LCD Display |
| Full glass inner door | • | • | • |
| Glazed door (Quadruple / Triple / Double) | Quadruple | Quadruple | Triple |
| Internal lighting | 1 x 25W Halogen | 1 x 25W Halogen | 1 x 25W Halogen |
| Water tank empty indicator | | | |
| COOKING FUNCTIONS | | | |
| Circo Therm® | 8 | 8 | 7 |
| Circo Therm® Gentle / Top/bottom heat Gentle | 3D | 3D | 3D |
| Top/bottom heat / Bottom heat | •/• | •/• | •/• |
| Circo Roasting | • | • | • |
| Full surface grill/ Centre Surface Grill | •/ | •/ | •/ |
| Bread baking | • | • | |
| Low temperature cooking | | | |
| Pizza setting/ Circo Therm® Intensive | • | • | • |
| Defrost | | | |
| Dough Proving | | | |
| Plate warming/ Keep Warm | | | |
| OVEN CLEANING | | | |
| Pyrolytic cleaning | • | • | |
| Easy Clean® / Base Clean | •/ | •/ | •/ |
| Eco Clean Surface | | | back |
| Cleaning setting | • | • | |
| Descaling programme | | | |
| STANDARD ACCESSORIES | | | |
| Universal pan | 1 | 1 | 1 |
| Steam Container | | | |
| Wire shelf | 2 | 2 | 2 |
| ENERGY EFFICIENCY¹ | | | |
| Energy efficiency class | A+ | A+ | A+ |
| Energy consumption per cycle Circo Therm® kWh | 0.81 | 0.81 | 0.81 |
| Energy consumption per cycle conventional kWh | 1.04 | 1.04 | 1.04 |
| Oven capacity L | 71 | 71 | 71 |
| Time to cook standard load mins | 58 | 58 | 58 |
| Largest baking sheet area cm ² | 1290 | 1290 | 1290 |
| TECHNICAL INFORMATION | | | |
| Total connected load kW | 2.9 | 2.9 | 2.9 |



| | 60CM SLIDE & HIDE® SINGLE OVEN FIXED HANDLE B3ACE4AN3B N50 | 60CM SLIDE & HIDE® SINGLE OVEN ROTATING HANDLE B4ACF1AN3B N50 | 60CM SINGLE OVEN - DROP DOWN DOOR PYROLYTIC B2ACH7AG7B N50 | 60CM SINGLE OVEN - DROP DOWN DOOR B1ACE4AG3B N50 |
|--|--|---|--|---|
| OPERATION | | | | |
| NEFF Design Retractable controls | • | • | • | • |
| CONTROLS | | | | |
| Electronic control | | | • | |
| Temperature proposal with display | | | •/• | |
| Heating up indicator / Residual heat indicator | •/ | •/ | •/• | •/ |
| Control panel lock / Safety switch off | •/ | •/ | •/• | •/ |
| Automatic programmes | | | •/• | •/ |
| SPECIAL FEATURES | | | | |
| Door type | Slide & Hide® with Fixed Handle | Slide & Hide® with Rotating Handle | Drop Down Door | Drop Down Door |
| Soft open door | | | | |
| Oven Assistant with Voice Control | | | | |
| Home Connect | | | • | |
| Telescopic Rail | Available as an accessory | Available as an accessory | Available as an accessory | Available as an accessory |
| Multi Point Temperature Probe | | | | |
| Single Point Meat Probe | | | | |
| Rapid heat up | | | | |
| Baking and roasting assistant | | | | |
| FEATURES | | | | |
| Electronic clock / timer | White LCD Display | White LCD Display | White LCD Display | White LCD Display |
| Full glass inner door | • | • | • | • |
| Glazed door (Quadruple / Triple / Double) | Triple | Triple | Quadruple | Double |
| Internal lighting | 1 x 25W Halogen | 1 x 25W Halogen | 1 x 25W Halogen | 1 x 25W Halogen |
| Water tank empty indicator | | | | |
| COOKING FUNCTIONS | | | | |
| Circo Therm® | 7 | 6 | 8 | 6 |
| Circo Therm® Gentle / Top/bottom heat Gentle | 3D | 3D | 3D | 3D |
| Top/bottom heat / Bottom heat | •/ | •/ | •/• | •/ |
| Circo Roasting | •/• | •/• | •/• | •/• |
| Full surface grill/ Centre Surface Grill | • | • | • | • |
| Bread baking | •/ | •/ | • | •/ |
| Low temperature cooking | | | | |
| Pizza setting/ Circo Therm® Intensive | • | • | • | • |
| Defrost | | | | |
| Dough Proving | | | | |
| Plate warming/ Keep Warm | | | | |
| OVEN CLEANING | | | | |
| Pyrolytic cleaning | | | • | |
| Easy Clean® / Base Clean | •/ | | •/ | •/ |
| Eco Clean Surface | back | back | • | back |
| Cleaning setting | | | • | |
| Descaling programme | | | | |
| STANDARD ACCESSORIES | | | | |
| Universal pan | 1 | 1 | 1 | 1 |
| Steam Container | | | | |
| Wire shelf | 2 | 2 | 2 | 2 |
| ENERGY EFFICIENCY¹ | | | | |
| Energy efficiency class | A+ | A+ | A+ | A+ |
| Energy consumption per cycle Circo Therm® kWh | 0.81 | 0.81 | 0.81 | 0.81 |
| Energy consumption per cycle conventional kWh | 1.04 | 1.04 | 0.99 | 0.97 |
| Oven capacity L | 71 | 71 | 71 | 71 |
| Time to cook standard load mins | 58 | 58 | 50 | 44 |
| Largest baking sheet area cm ² | 1290 | 1290 | 1290 | 1290 |
| TECHNICAL INFORMATION | | | | |
| Total connected load kW | 2.9 | 2.9 | 2.9 | 2.9 |

1 Measured according to the EN50304, 65/2014. 2 For further information on inverter technology, please go to www.neffhome.com/uk. 3 For inverter models, the maximum setting offers a time limited boost option for heating liquids. To ensure optimal results and to protect the appliance, the microwave power output is reduced in stages over the first few minutes down to the next power level (600W). After a cooling period, the microwave boost option will be available once more.

N50 Compact Ovens with Microwave

- Dial Control & LCD Screen on all models

45CM COMPACT OVENS

| WITH MICROWAVE C1AMG84G1B N50 | WITH MICROWAVE C1AMG84N1B N50 |
|--|--|
| <ul style="list-style-type: none"> • 3 functions • Electronic, LCD Display • MW & Oven with combination options • 15 automatic programmes • Graphite Grey | <ul style="list-style-type: none"> • 3 functions • Electronic, LCD Display • MW & Oven with combination options • 15 automatic programmes • Stainless Steel |
|  |  |

| OPERATION | | |
|---|-------------------|-------------------|
| Premium Full Touch TFT Display Type | | |
| Screen Size | | |
| NEFF Design Retractable controls | • | • |
| CONTROLS | | |
| Electronic control | • | • |
| Temperature proposal with Display | | |
| Heating up indicator/ Safety switch off | /• | /• |
| Automatic programmes | 15 | 15 |
| SPECIAL FEATURES | | |
| Home Connect | | |
| Door Type | Drop Down Door | Drop Down Door |
| Soft close / open door | | |
| Telescopic Rail | | |
| MultiPoint Temperature Probe | | |
| Baking and roasting assistant | | |
| FEATURES | | |
| Display Type | White LCD display | White LCD display |
| Full glass inner door | | |
| Glazed door (Quadruple/Triple/Double) | Triple | Triple |
| Internal lighting | 1 x 1W LED | 1 x 1W LED |
| COOKING FUNCTIONS | | |
| Hot Air | • | • |
| Hot Air Gentle | | |
| Top/bottom heat | | |
| Conventional heat Eco | | |
| Fan & Grill | • | • |
| Full surface grill/ Centre surface grill | •/ | •/ |
| Bread baking | | |
| Bottom heat | | |
| Low temperature cooking | | |
| Pizza setting/ Circo Therm® Intensive | • | • |
| Defrost | | |
| Dough Proving | | |
| Plate warming/ Keep warm | | |
| Microwave | • | • |
| Microwave combinable | • | • |
| OVEN CLEANING | | |
| Pyrolytic cleaning | | |
| Easy Clean®/ Base Clean | | |
| Eco Clean Surfaces | | |
| Cleaning setting | | |
| STANDARD ACCESSORIES | | |
| Wire shelf | 1 | 1 |
| Universal pan | | |
| Ceramic Glass Base | • | • |
| STANDARD ACCESSORIES | | |
| Energy efficiency index | | |
| Energy efficiency class | | |
| Energy consumption per cycle Circo Therm® kWh | | |
| Energy consumption per cycle conventional kWh | | |
| Oven capacity (L) | 44 | 44 |
| Time to cook standard load mins | | |
| Largest baking sheet area cm ² | | |
| TECHNICAL INFORMATION | | |
| Total connected load kW | 3.3 | 3.3 |

N50 Compact Microwaves

38CM MICROWAVES

| 900W HLAWD53N0B N50 | 800W HLAWD23G0B N50 | 800W HLAWD23N0B N50 |
|---|---|---|
| <ul style="list-style-type: none"> • Up to 900W • 25L • 5 power levels • Electronic, white LED display • Stainless Steel | <ul style="list-style-type: none"> • Up to 800W • 25L • 5 power levels • Electronic, white LED display • Graphite Grey | <ul style="list-style-type: none"> • Up to 800W • 25L • 5 power levels • Electronic, white LED display • Stainless Steel |
|  |  |  |

| OPERATION | | | |
|--|-------------------|---------------------------|---------------------------|
| Retractable control with push buttons | • | • | • |
| Control panel position | Right, vertical | Right, vertical | Right, vertical |
| FUNCTIONS | | | |
| Microwave | • | • | • |
| Quartz Grill | | | |
| Microwave & grill combination | | | |
| FEATURES | | | |
| Installation position | Tall housing | Wall unit or Tall housing | Wall unit or Tall housing |
| Full width frameless design | • | • | • |
| Electronic Clock | White LED display | White LED display | White LED display |
| ClearText Display | | | |
| Automatic programmes | 7 | 7 | 7 |
| Memory settings | 1 | 1 | 1 |
| Maximum cooking time duration (mins) | 99 | 99 | 99 |
| Electronic door opening | | | |
| Push button door opening | • | • | • |
| Hinge | Left | Left | Left |
| Internal light | 1 x 3W LED | 1 x 3W LED | 1 x 3W LED |
| Stainless steel interior | • | • | • |
| STANDARD ACCESSORIES | | | |
| Glass turntable | 1 | 1 | 1 |
| Glass pan / Wire Grid | | | |
| TECHNICAL INFORMATION | | | |
| Appliance Dimensions HxWxD mm | 382 x 594 x 388 | 382 x 594 x 317 | 382 x 594 x 317 |
| Cavity Dimensions HxWxD mm | 208 x 328 x 369 | 201 x 308 x 282 | 201 x 308 x 282 |
| Oven capacity L | 25 | 20 | 20 |
| Inverter technology ¹ | | | |
| Maximum power Microwave ² W | 900 | 800 | 800 |
| Number of Microwave power levels | 5 | 5 | 5 |
| Microwave distribution | Turntable | Turntable | Turntable |
| Turntable diameter mm | 315 | 255 | 255 |
| Total connected load kW | 1.4 | 1.2 | 1.2 |
| Minimum fuse protection Amps | 10 | 10 | 10 |
| Cable length cm | 130 | 130 | 130 |
| GB plug | • | • | • |

N50 Double Ovens & Built-Under Double Ovens

- Dial Control & LCD Screen on all models
- All ovens feature a Circo Therm® Main Oven

| DOUBLE OVENS | | | |
|---|--|---|--|
| PYROLYTIC U2ACH7AG7B N50 | | PYROLYTIC U2ACH7AN7B N50 | |
| <ul style="list-style-type: none"> • 8 functions • 2nd oven 4 functions • Electronic, LCD display • Pyrolytic for both ovens • Graphite Grey | | <ul style="list-style-type: none"> • 8 functions • 2nd oven 4 functions • Electronic, LCD display • Pyrolytic for both ovens • Stainless Steel | |
|  | |  | |

| DESIGN | U2ACH7AG7B N50 | | U2ACH7AN7B N50 | |
|---|---------------------------|-----------------|---------------------------|-----------------|
| NEFF Design Retractable controls | • | • | • | • |
| Electronic clock / timer | White LCD display | | White LCD display | |
| ELECTRONIC CONTROL | Main | 2nd | Main | 2nd |
| Temperature display | • | • | • | • |
| Heating up indicator | • | • | • | • |
| Residual heat indicator | • | • | • | • |
| Temperature proposal | • | • | • | • |
| SPECIAL FEATURES | Main | 2nd | Main | 2nd |
| Door type | Drop Down Door | Drop Down Door | Drop Down Door | Drop Down Door |
| Home Connect | • | • | • | • |
| Electronic control | • | • | • | • |
| Telescopic Rails | Available as an accessory | | Available as an accessory | |
| FEATURES | Main | 2nd | Main | 2nd |
| Control panel lock | • | • | • | • |
| Full glass inner door | • | • | • | • |
| Safety switch off | • | • | • | • |
| Internal lighting | 1 x 25W halogen | 1 x 25W halogen | 1 x 25W halogen | 1 x 25W halogen |
| Number of shelf positions | 4 | 3 | 4 | 3 |
| Glazed door (Quadruple/Triple/Double) | Quadruple | Quadruple | Quadruple | Quadruple |
| COOKING FUNCTIONS | Main | 2nd | Main | 2nd |
| Circo Therm® | 3D | | 3D | |
| Circo Therm® Gentle | • | | • | |
| Top/bottom heat | • | • | • | • |
| Circo Roasting | • | | • | |
| Full surface grill | • | • | • | • |
| Centre surface grill | | • | | • |
| Bread baking | • | | • | |
| Bottom heat | • | • | • | • |
| Pizza Setting / Circo Therm® Intensive | • | | • | |
| Rapid heat | • | | • | |
| OVEN CLEANING | Main | 2nd | Main | 2nd |
| Pyrolytic Cleaning | • | • | • | • |
| Easy Clean® | • | | • | |
| Eco Clean liners (Roof/Back/Sides) | | | | |
| Base clean | | | | |
| Cleaning setting | • | • | • | • |
| STANDARD ACCESSORIES | Main | 2nd | Main | 2nd |
| Wire shelves | 3 | | 3 | |
| Universal pan | 1 | | 1 | |
| ENERGY EFFICIENCY ¹ | Main | 2nd | Main | 2nd |
| Energy efficiency index | 95.3 | 120.3 | 95.3 | 120.3 |
| Energy efficiency class | A | B | A | B |
| Energy consumption per cycle Circo Therm® (kWh) | 0.75 | | 0.75 | |
| Energy consumption per cycle conventional (kWh) | 1.00 | 0.83 | 1.00 | 0.83 |
| Oven capacity (L) | 71 | 34 | 71 | 34 |
| Time to cook standard load (mins) | 44 | 44 | 44 | 44 |
| Largest baking sheet area (cm ²) | 1290 | | 1290 | |
| TECHNICAL INFORMATION | | | | |
| Total connected load kW | 6.3 | | 6.3 | |

| DOUBLE OVENS | | | | BUILT-UNDER DOUBLE OVEN | | | |
|--|--|---|--|---|--|---|--|
| ECO CLEAN BOTH OVENS U1ACE5HN0B N50 | | U1ACE2AG3B N50 | | U1ACE2AN3B N50 | | J1ACE2HN0B N50 | |
| <ul style="list-style-type: none"> • 6 functions • LCD display • 2nd oven 4 functions • Eco Clean roof, back and sides for both ovens • Stainless Steel | | <ul style="list-style-type: none"> • 5 functions • LCD display • 2nd oven 4 functions • Graphite Grey | | <ul style="list-style-type: none"> • 5 functions • LCD display • 2nd oven 4 functions • Stainless Steel | | <ul style="list-style-type: none"> • 6 functions • LCD display • 2nd oven 3 functions • Stainless Steel | |
|  | |  | |  | |  | |

| DESIGN | U1ACE5HN0B N50 | | U1ACE2AG3B N50 | | U1ACE2AN3B N50 | | J1ACE2HN0B N50 | |
|---|---------------------------|-----------------|---------------------------|-----------------|---------------------------|-----------------|---------------------------|-----------------|
| NEFF Design Retractable controls | • | • | • | • | • | • | • | • |
| Electronic clock / timer | White LCD display | | White LCD display | | White LCD display | | White LCD display | |
| ELECTRONIC CONTROL | Main | 2nd | Main | 2nd | Main | 2nd | Main | 2nd |
| Temperature display | • | • | • | • | • | • | • | • |
| Heating up indicator | • | • | • | • | • | • | • | • |
| Residual heat indicator | • | • | • | • | • | • | • | • |
| Temperature proposal | • | • | • | • | • | • | • | • |
| SPECIAL FEATURES | Main | 2nd | Main | 2nd | Main | 2nd | Main | 2nd |
| Door type | Drop Down Door | Drop Down Door | Drop Down Door | Drop Down Door | Drop Down Door | Drop Down Door | Drop Down Door | Drop Down Door |
| Home Connect | • | • | • | • | • | • | • | • |
| Electronic control | • | • | • | • | • | • | • | • |
| Telescopic Rails | Available as an accessory | | Available as an accessory | | Available as an accessory | | Available as an accessory | |
| FEATURES | Main | 2nd | Main | 2nd | Main | 2nd | Main | 2nd |
| Control panel lock | • | • | • | • | • | • | • | • |
| Full glass inner door | • | • | • | • | • | • | • | • |
| Safety switch off | • | • | • | • | • | • | • | • |
| Internal lighting | 1 x 25W halogen | 1 x 25W halogen | 1 x 25W halogen | 1 x 25W halogen | 1 x 25W halogen | 1 x 25W halogen | 1 x 25W halogen | 1 x 25W halogen |
| Number of shelf positions | 4 | 3 | 4 | 3 | 4 | 3 | 3 | 3 |
| Glazed door (Quadruple/Triple/Double) | Double | Triple | Double | Double | Double | Double | Double | Triple |
| COOKING FUNCTIONS | Main | 2nd | Main | 2nd | Main | 2nd | Main | 2nd |
| Circo Therm® | 3D | | 3D | | 3D | | 3D | |
| Circo Therm® Gentle | • | | • | | • | | • | |
| Top/bottom heat | • | • | • | • | • | • | • | • |
| Circo Roasting | • | | • | | • | | • | |
| Full surface grill | • | • | • | • | • | • | • | • |
| Centre surface grill | | • | | • | | • | | • |
| Bread baking | • | | • | | • | | • | |
| Bottom heat | • | • | • | • | • | • | • | • |
| Pizza Setting / Circo Therm® Intensive | • | | • | | • | | • | |
| Rapid heat | • | | • | | • | | • | |
| OVEN CLEANING | Main | 2nd | Main | 2nd | Main | 2nd | Main | 2nd |
| Pyrolytic Cleaning | • | • | • | • | • | • | • | • |
| Easy Clean® | • | | • | | • | | • | |
| Eco Clean liners (Roof/Back/Sides) | roof/back/sides | roof/back/sides | • | | • | | • | |
| Base clean | | | | | | | | |
| Cleaning setting | • | • | • | • | • | • | • | • |
| STANDARD ACCESSORIES | Main | 2nd | Main | 2nd | Main | 2nd | Main | 2nd |
| Wire shelves | 3 | | 3 | | 3 | | 2 | |
| Universal pan | 1 | | 1 | | 1 | | 1 | |
| ENERGY EFFICIENCY ¹ | Main | 2nd | Main | 2nd | Main | 2nd | Main | 2nd |
| Energy efficiency index | 95.3 | 120.3 | 95.3 | 120.3 | 95.3 | 120.3 | 94.7 | 120.3 |
| Energy efficiency class | A | B | A | B | A | B | A | B |
| Energy consumption per cycle Circo Therm® (kWh) | 0.78 | - | 0.75 | | 0.75 | | 0.64 | |
| Energy consumption per cycle conventional (kWh) | 0.93 | 0.83 | 1.00 | 0.83 | 1.00 | 0.83 | 0.84 | 0.83 |
| Oven capacity (L) | 71 | 34 | 71 | 34 | 71 | 34 | 47 | 34 |
| Time to cook standard load (mins) | 44 | 44 | 44 | 44 | 44 | 44 | 45 | 45 |
| Largest baking sheet area (cm ²) | 1290 | | 1290 | | 1290 | | 1290 | |
| TECHNICAL INFORMATION | | | | | | | | |
| Total connected load kW | 5.9 | | 5.9 | | 5.9 | | 5.3 | |

¹ Measured according to the EN50304, 65/2014. ² For further information on inverter technology, please go to www.neffhome.com/uk. ³ For inverter models, the maximum setting offers a time limited boost option for heating liquids. To ensure optimal results and to protect the appliance, the microwave power output is reduced in stages over the first few minutes down to the next power level (600W). After a cooling period, the microwave boost option will be available once more.

Warming Drawers & Accessory

| | 29CM WARMING DRAWERS | | 14CM WARMING DRAWERS |
|--|---|---|---|
| | N34HA11G1B N90 / N70 | N34HA11N1B N90 / N70 | N24HA11G1B N90 / N70 |
| | <ul style="list-style-type: none"> • 29cm high • Electronic touch control warming drawer • 4 settings or 6 selectable temperature settings • Timer • Heated ceramic base • Push/pull opening • Graphite Grey | <ul style="list-style-type: none"> • 29cm high • Electronic touch control warming drawer • 4 settings or 6 selectable temperature settings • Timer • Heated ceramic base • Push/pull opening • Stainless Steel | <ul style="list-style-type: none"> • 14cm high • Electronic touch control warming drawer • 4 settings or 6 selectable temperature settings • Timer • Heated ceramic base • Push/pull opening • Graphite Grey |
| FUNCTIONS | | | |
| Plate warming | • | • | • |
| Hold Warm | • | • | • |
| Defrost | • | • | • |
| Low temperature cooking | • | • | • |
| Accessory drawer | | | |
| FEATURES | | | |
| Home Connect | • | • | • |
| Operating indicator light | • | • | • |
| Electronic control | • | • | • |
| Rotary temperature control dial | | | |
| Touch control | • | • | • |
| Number of temperature settings | 4 | 4 | 4 |
| Maximum temperature | 80 | 80 | 80 |
| Minimum temperature | 30 | 30 | 30 |
| Ceramic Glass Base | • | • | • |
| DESIGN | | | |
| Install independently | • | • | • |
| Install with compact appliance | N70 / N90 | N70 / N90 | N70 / N90 |
| Install with a single oven | N70 / N90 | N70 / N90 | N70 / N90 |
| Push-Pull opening mechanism | • | • | • |
| TECHNICAL INFORMATION | | | |
| Drawer interior volume | L 54 | 54 | 20 |
| Interior drawer dimensions HxWxD | mm 290x594x518mm | 290x594x518mm | 140x594x518 |
| Vacuum chamber dimensions HxWxD | mm | | |
| Installation in tall housing or under work surface | • | • | • |
| Maximum weight capacity | 25 | 25 | 25 |
| Total connected loading | kW 0.82 | 0.82 | 0.82 |
| Minimum fuse rating | 10 | 10 | 10 |
| Cable length | 175 | 175 | 170 |
| GB plug | • | • | • |
| STANDARD ACCESSORIES | | | |
| Vacuums platform | | | |
| External vacuuming adaptor, hose & plugs | | | |
| Sample vacuuming bags | | | |
| Antislip mat | | | |

| | 14CM WARMING DRAWERS | 14CM ACCESSORY DRAWERS | 29CM WARMING DRAWERS | 14CM WARMING DRAWERS | |
|--|---|---|---|---|---|
| | N24HA11N1B N90 / N70 | N24ZA11G1 N90 / N70 | N1AHA02N0B N50 | N1AHA01G0B N50 | N1AHA01N0B N50 |
| | <ul style="list-style-type: none"> • 14cm high • Electronic touch control warming drawer • 4 settings or 6 selectable temperature settings • Timer • Heated ceramic base • Push/pull opening • Stainless Steel | <ul style="list-style-type: none"> • 14cm high • Accessory drawer • Push/pull opening • Graphite Grey | <ul style="list-style-type: none"> • 29cm high • Warming drawer • 3 settings • Push-pull opening • Stainless Steel | <ul style="list-style-type: none"> • 14cm high • Warming drawer • 3 settings • Push-pull opening • Graphite Grey | <ul style="list-style-type: none"> • 14cm high • Warming drawer • 3 settings • Push-pull opening • Stainless Steel |
| FUNCTIONS | | | | | |
| Plate warming | • | | • | • | • |
| Hold Warm | • | | • | • | • |
| Defrost | • | | • | • | • |
| Low temperature cooking | • | | | | |
| Accessory drawer | | • | | | |
| FEATURES | | | | | |
| Home Connect | • | | | | |
| Operating indicator light | • | | • | • | • |
| Electronic control | • | | | | |
| Rotary temperature control dial | | | | | |
| Touch control | • | | • | • | • |
| Number of temperature settings | 4 | | 3 | 3 | 3 |
| Maximum temperature | 80 | | 80 | 80 | 80 |
| Minimum temperature | 30 | | 40 | 40 | 40 |
| Ceramic Glass Base | • | | | | |
| DESIGN | | | | | |
| Install independently | • | • | • | • | • |
| Install with compact appliance | N70 / N90 | N70 / N90 | N50 | N50 | N50 |
| Install with a single oven | N70 / N90 | N70 / N90 | N50 | N50 | N50 |
| Push-Pull opening mechanism | • | • | • | • | • |
| TECHNICAL INFORMATION | | | | | |
| Drawer interior volume | L 20 | 21 | 58 | 23 | 23 |
| Interior drawer dimensions HxWxD | mm 140x594x518 | 140x594x518 | 250x475x490 | 100x475x490 | 100x475x490 |
| Vacuum chamber dimensions HxWxD | mm | | | | |
| Installation in tall housing or under work surface | • | • | • | • | • |
| Maximum weight capacity | 25 | 15 | 15 | 15 | 15 |
| Total connected loading | kW 0.82 | | 0.40 | 0.40 | 0.40 |
| Minimum fuse rating | 10 | | 6 | 6 | 6 |
| Cable length | 170 | | 150 | 150 | 150 |
| GB plug | • | | • | • | • |
| STANDARD ACCESSORIES | | | | | |
| Vacuums platform | | • | | | |
| External vacuuming adaptor, hose & plugs | | | | | |
| Sample vacuuming bags | | | | | |
| Antislip mat | | | | | |

Wireless MultiPoint Meatprobe

- Four sensors measure the foods core temperature for ultra precise cooking.
- NEFF Home Connect App lets you know when your desired doneness level has been reached.
- The wireless meat probe turns on when it is connected to your NEFF oven via Home Connect. Once the desired temperature is detected, the probe will send a signal to the oven, causing it to switch off automatically.
- Use it in your oven, on your hob, or outside on your grill.



Z1365WX0

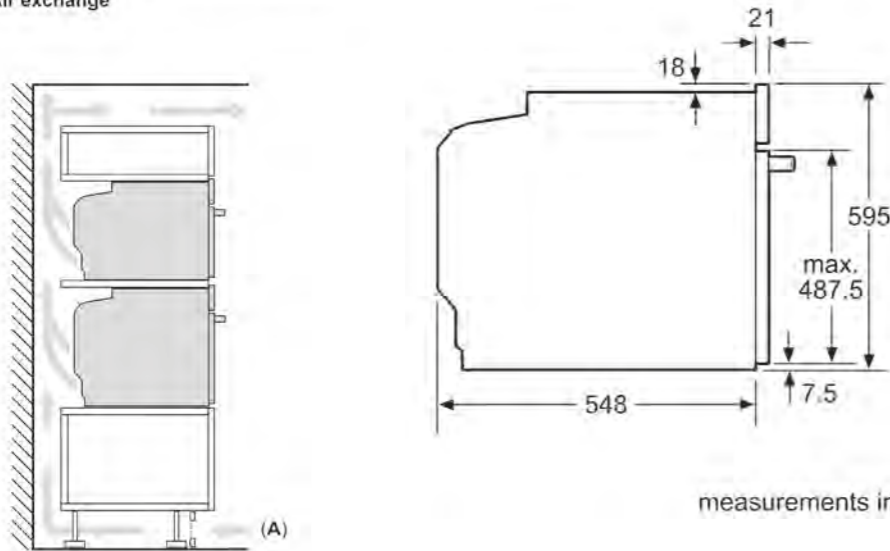
| FUNCTIONS | |
|-----------------------|-----------------|
| Dimensions | 150x19x52mm |
| Finish | Stainless steel |
| Dishwasher Safe | • |
| Suitable for steaming | • |

1 Measured according to the EN50304, 65/2014. 2 For further information on inverter technology, please go to www.neffhome.com/uk. 3 For Inverter models, the maximum setting offers a time limited boost option for heating liquids. To ensure optimal results and to protect the appliance, the microwave power output is reduced in stages over the first few minutes down to the next power level (600W). After a cooling period, the microwave boost option will be available once more.

N90 60cm Single Ovens with Steam

B64VT73G0B, B64VS71G0B, B64FT53G0B, B64FS31G0B

Installing two appliances on top of each other
Air exchange

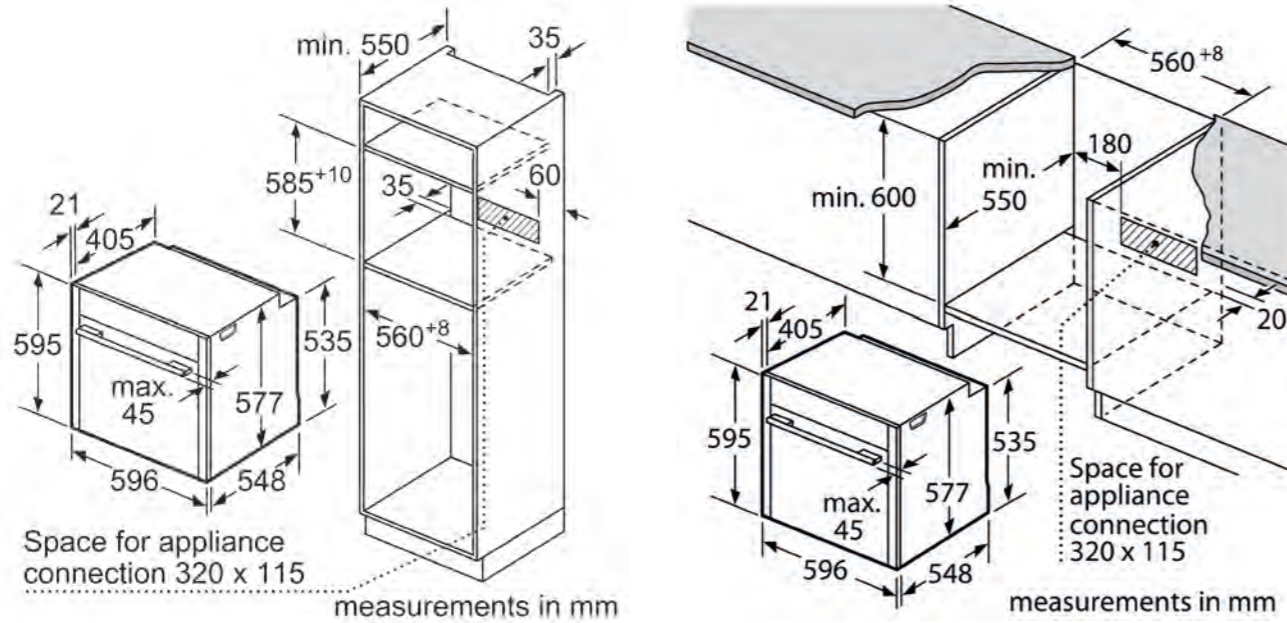


If the appliance will be installed underneath a hob, the following worktop thicknesses (including substructure if necessary) must be taken into account.

| Hob type | min. worktop thickness | |
|----------------------------|------------------------|-------|
| | fitted | flush |
| Induction hob | 37 mm | 38 mm |
| Full surface induction hob | 47 mm | 48 mm |
| Gas hob | 30 mm | 38 mm |
| Electric hob | 27 mm | 30 mm |

measurements in mm

A: Air inlet $\geq 200 \text{ cm}^2$



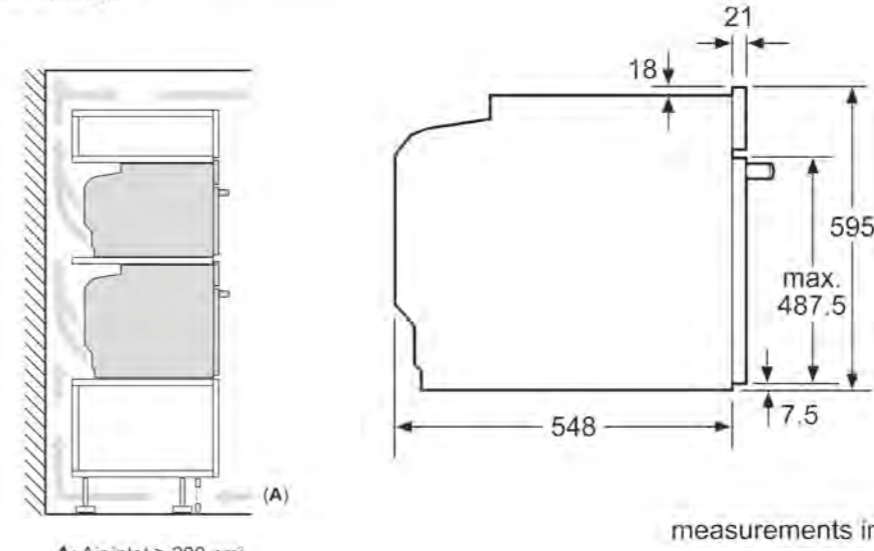
Space for appliance connection 320 x 115

measurements in mm

N90 / N70 60cm Single Ovens

B64CS71G0B, B64CT73G0B, B54CR71G0B, B54CR71N0B, B64CS51G0B, B54CR31G0B, B54CR31N0B, B24CR31G0B, B24CR71G0B

Installing two appliances on top of each other
Air exchange

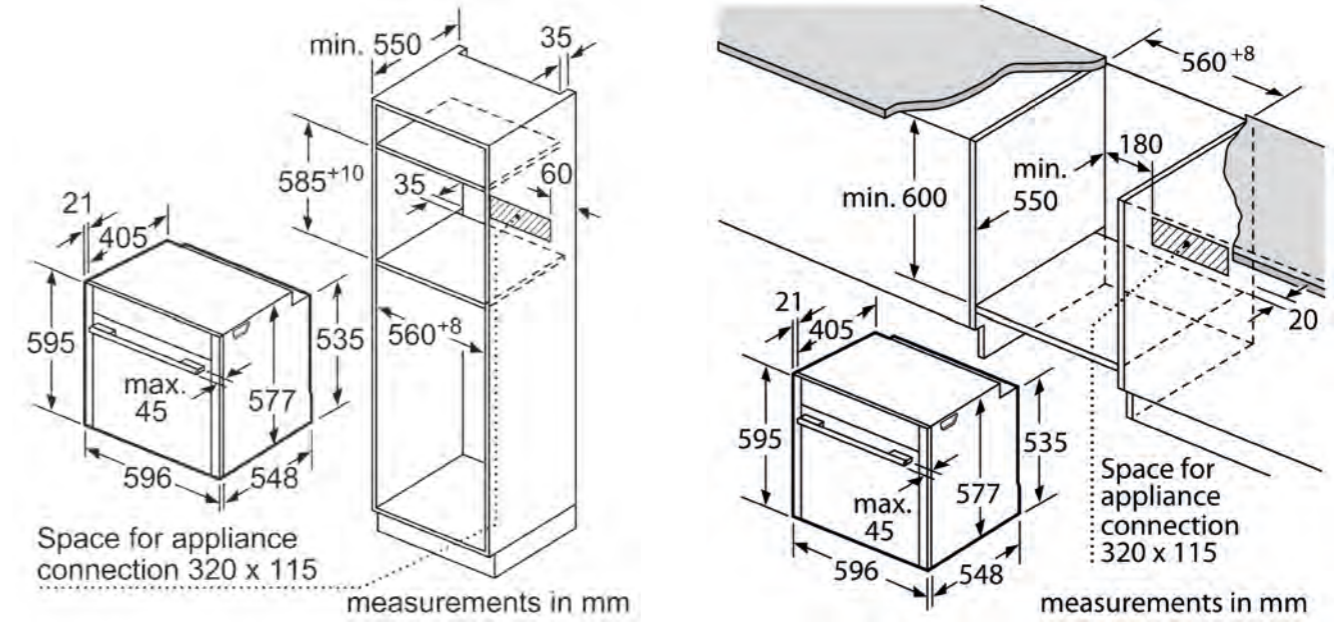


If the appliance will be installed underneath a hob, the following worktop thicknesses (including substructure if necessary) must be taken into account.

| Hob type | min. worktop thickness | |
|----------------------------|------------------------|-------|
| | fitted | flush |
| Induction hob | 37 mm | 38 mm |
| Full surface induction hob | 47 mm | 48 mm |
| Gas hob | 30 mm | 38 mm |
| Electric hob | 27 mm | 30 mm |

measurements in mm

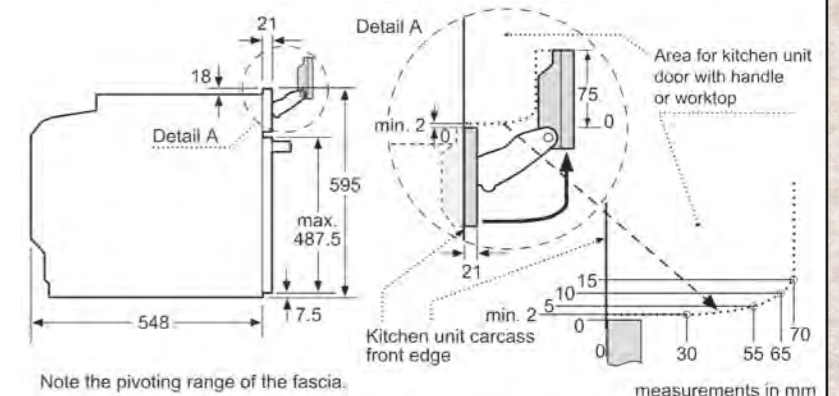
A: Air inlet $\geq 200 \text{ cm}^2$



Space for appliance connection 320 x 115

measurements in mm

B64CS71G0B, B54CR71G0B, B54CR71N0B, B64CS51G0B, B54CR31G0B, B54CR31N0B

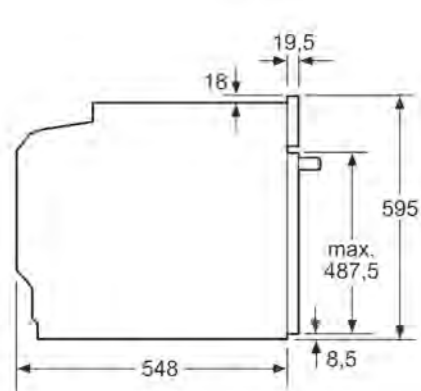


Note the pivoting range of the fascia.

measurements in mm

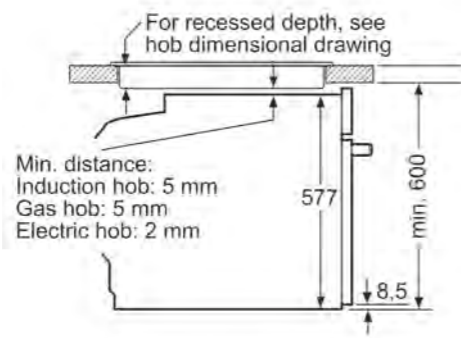
N50 60cm Single Ovens

B6ACH7AG7B, B6ACH7AN7B, B3ACE4AG3B, B3ACE4AN3B, B4ACF1AN3B, B2ACH7AG7B, B1ACE4AG3B



measurements in mm

Installation with a hob.



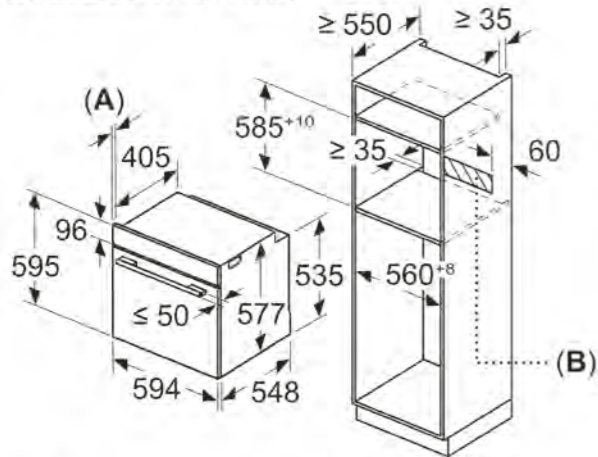
measurements in mm

If the appliance will be installed underneath a hob, the following worktop thicknesses (including substructure if necessary) must be taken into account.

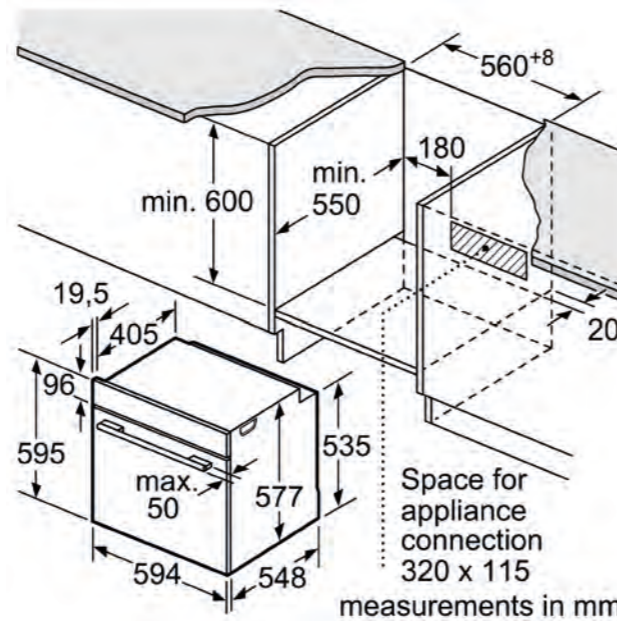
| Hob type | min. worktop thickness | |
|----------------------------|------------------------|-------|
| | fitted | flush |
| Induction hob | 37 mm | 38 mm |
| Full surface induction hob | 47 mm | 48 mm |
| Gas hob | 30 mm | 38 mm |
| Electric hob | 27 mm | 30 mm |

A: Air inlet $\geq 200 \text{ cm}^2$

Measurements in mm



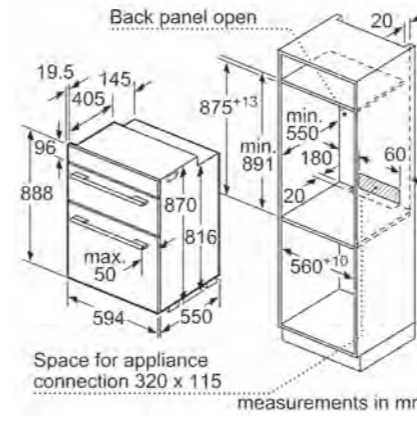
A: 19.5 mm
B: Space for appliance connection 320 x 115 mm



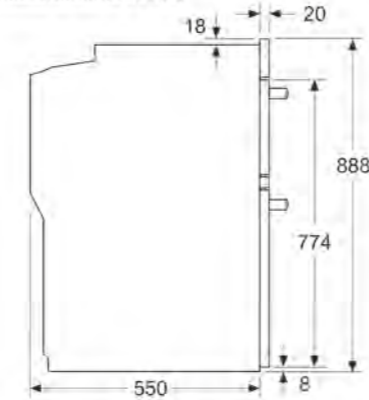
measurements in mm

N50 Double Ovens

U2ACH7AG7B, U2ACH7AN7B, U1ACE5HN0B, U1ACE2AG3B, U1ACE2AN3B

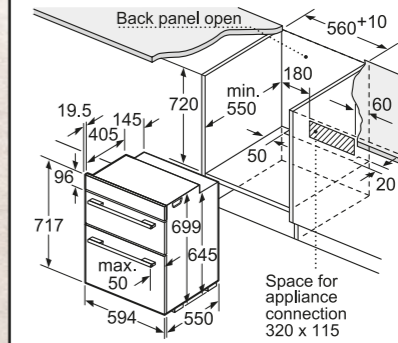


measurements in mm



measurements in mm

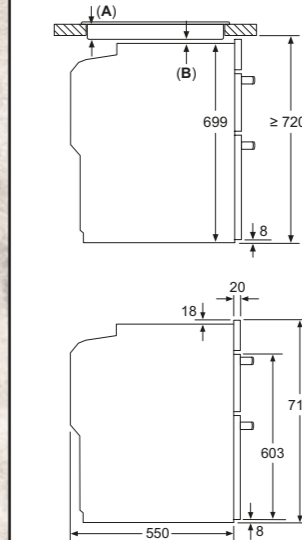
J1ACE2HN0B



If the appliance will be installed underneath a hob, the following worktop thicknesses (including substructure if necessary) must be taken into account.

| Hob type | min. worktop thickness | |
|----------------------------|------------------------|-------|
| | fitted | flush |
| Induction hob | 39 mm | 40 mm |
| Full surface induction hob | 49 mm | 50 mm |
| Gas hob | 29 mm | 40 mm |
| Electric hob | 29 mm | 32 mm |

Measurements in mm
Installation with a cooktop



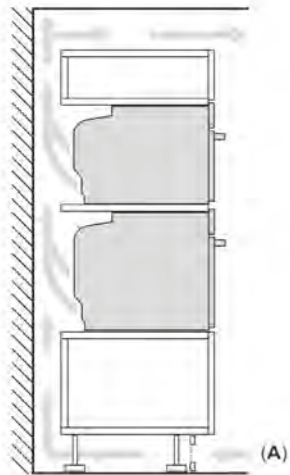
A: Recessed depth 29-50 mm. See cooktop dimensional drawing.
B: Clearance min.:
Induction cooktop: 5 mm
Gas cooktop: 5 mm
Electric cooktop: 2 mm

N90 45cm Compact Ovens with Steam

N90 / N70 45cm Compact Ovens with Microwave Function

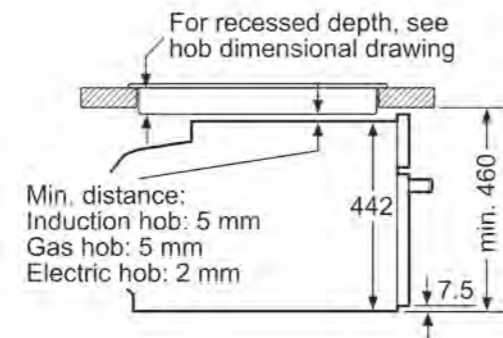
C24FT53G0B, C24FS31G0B

Installing two appliances on top of each other
Air exchange



A: Air inlet $\geq 200 \text{ cm}^2$

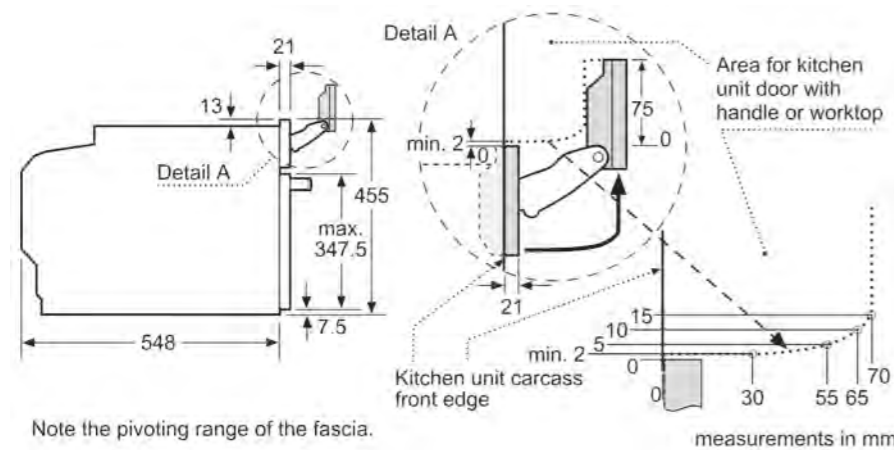
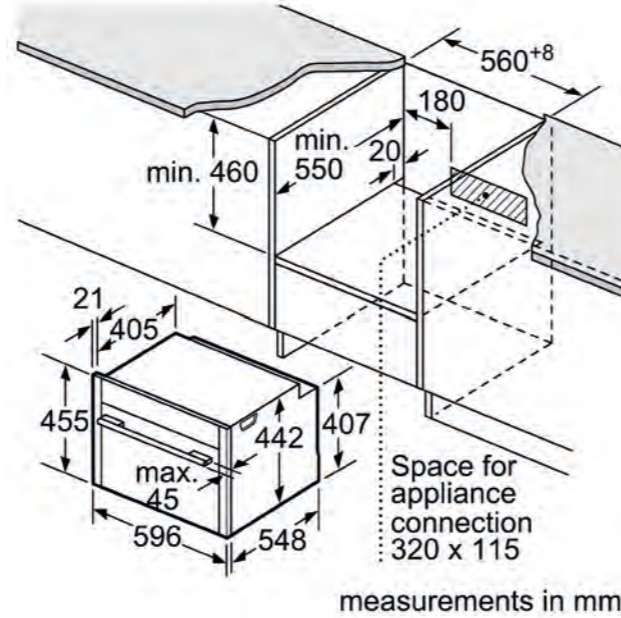
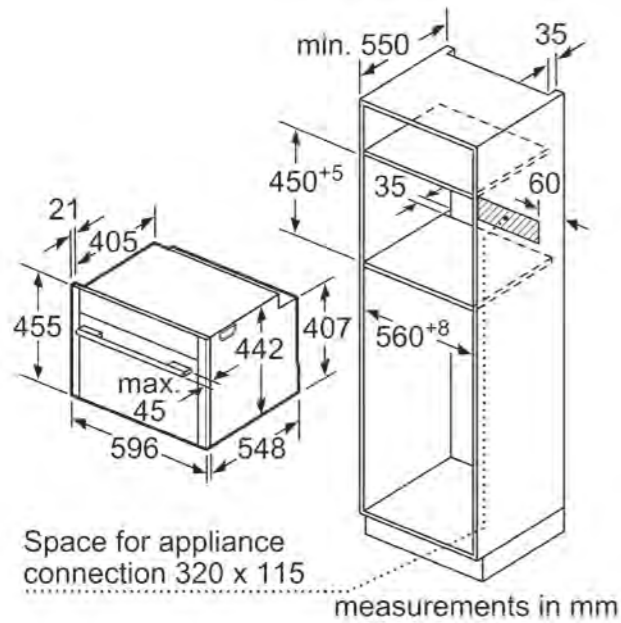
Installation with a hob.



If the compact appliance will be installed underneath a hob, the following worktop thicknesses (including substructure if necessary) must be taken into account.

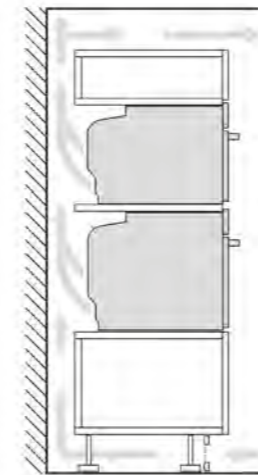
| Hob type | min. worktop thickness | |
|----------------------------|------------------------|-------|
| | fitted | flush |
| Induction hob | 42 mm | 43 mm |
| Full surface Induction hob | 52 mm | 53 mm |
| Gas hob | 32 mm | 43 mm |
| Electric hob | 32 mm | 35 mm |

measurements in mm

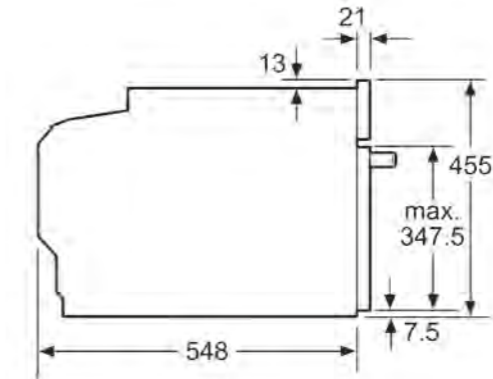


C24MT73G0B, C24MS71G0B, C24MS31G0B, C24MR21G0B, C24MR21N0B, C24GR3XG1B

Installing two appliances on top of each other
Air exchange



A: Air inlet $\geq 200 \text{ cm}^2$

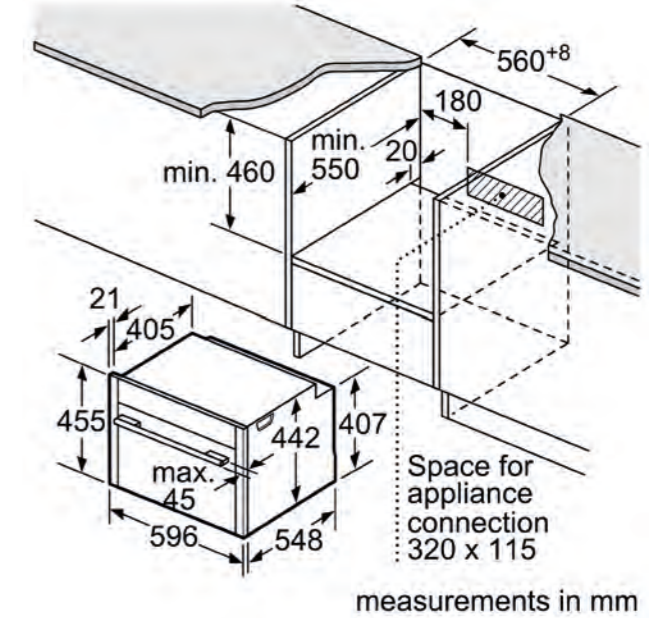
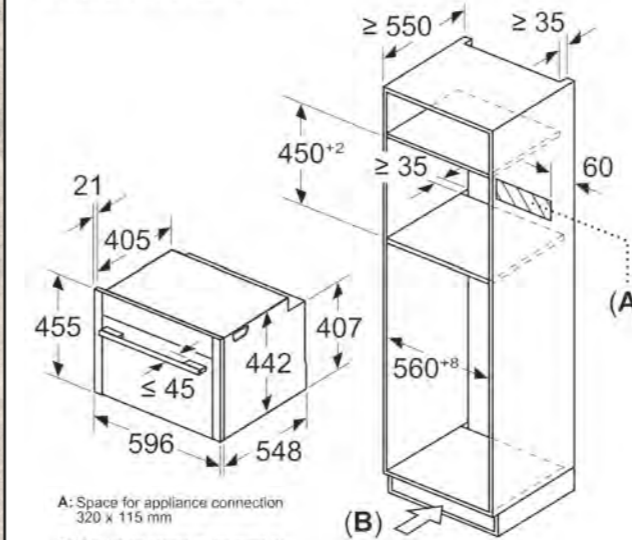


If the compact appliance will be installed underneath a hob, the following worktop thicknesses (including substructure if necessary) must be taken into account.

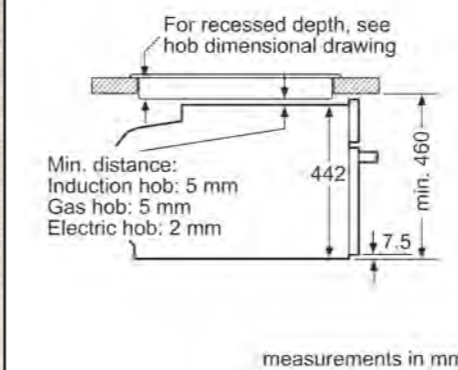
| Hob type | min. worktop thickness | |
|----------------------------|------------------------|-------|
| | fitted | flush |
| Induction hob | 42 mm | 43 mm |
| Full surface Induction hob | 52 mm | 53 mm |
| Gas hob | 32 mm | 43 mm |
| Electric hob | 32 mm | 35 mm |

measurements in mm

Measurements in mm



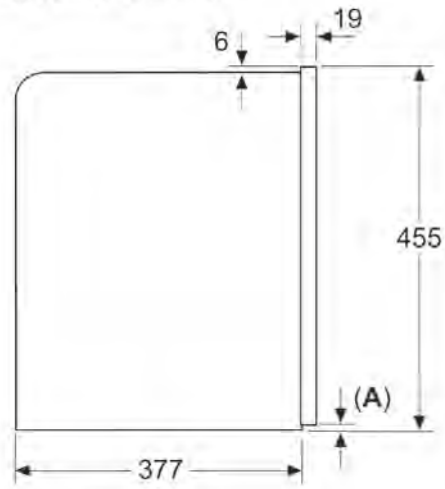
Installation with a hob.



N90 45cm Coffee Machine

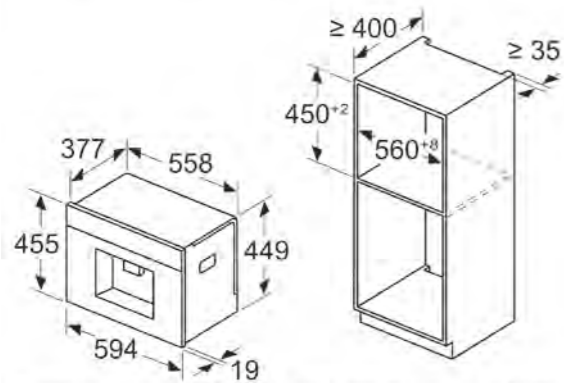
CL4TT11G0

Measurements in mm



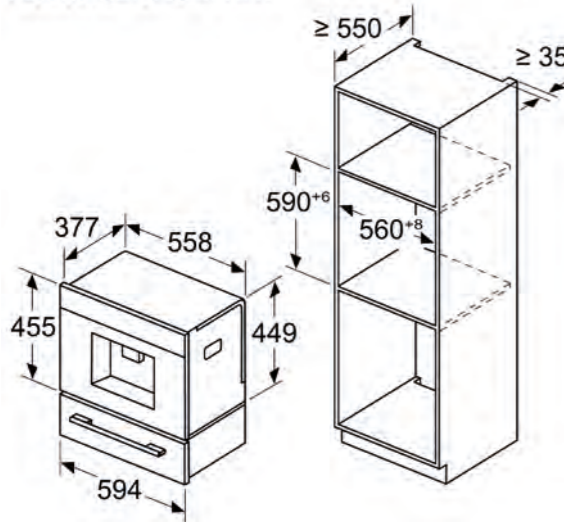
A: 7.5 mm

Measurements in mm

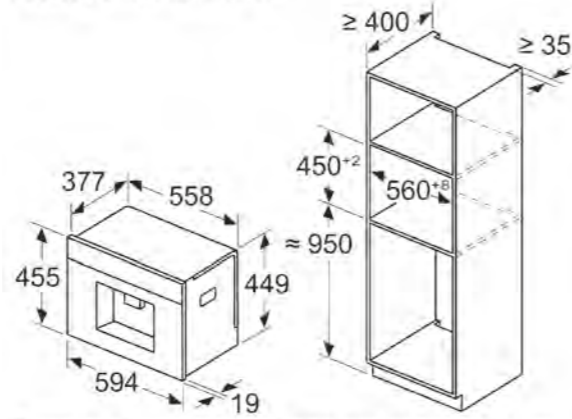


Bean and water containers are removed from the front
Recommended installation height 950–1450 mm

Measurements in mm

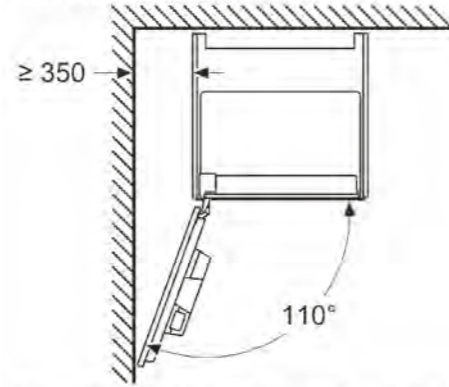


Measurements in mm



Bean and water containers are removed from the front
Recommended installation height 950–1450 mm

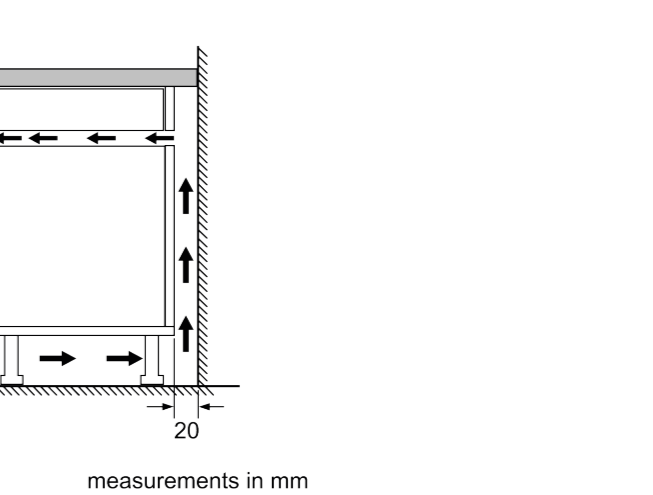
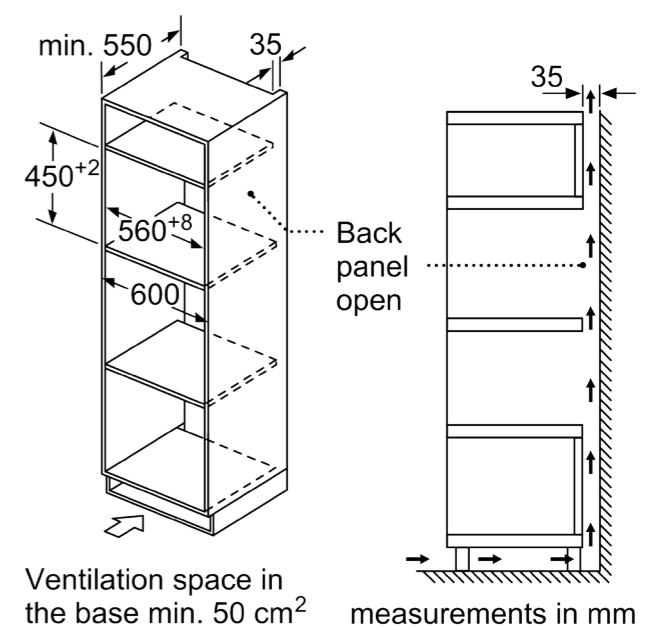
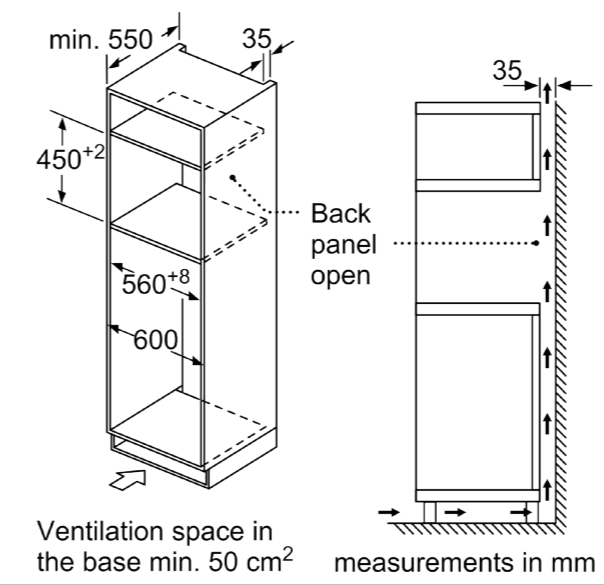
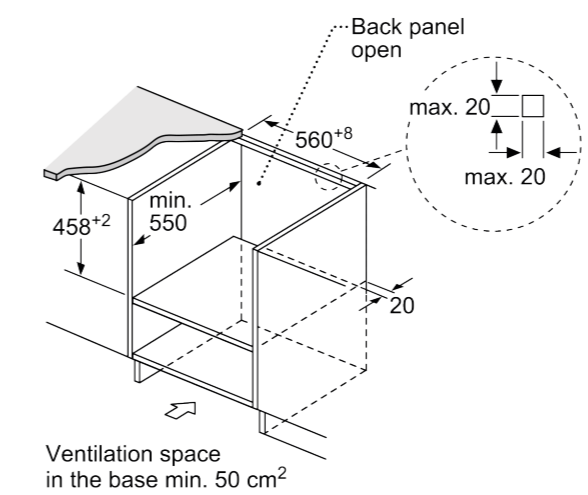
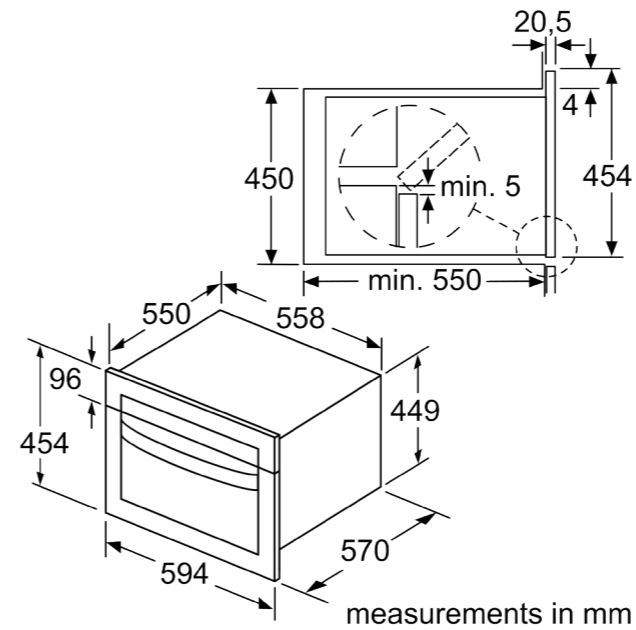
Measurements in mm
Left corner installation



If using the 92° hinge limiter, the min. distance to the wall is only 100 mm

N50 45cm Microwave Ovens

C1AMG84G1B, C1AMG84N1B

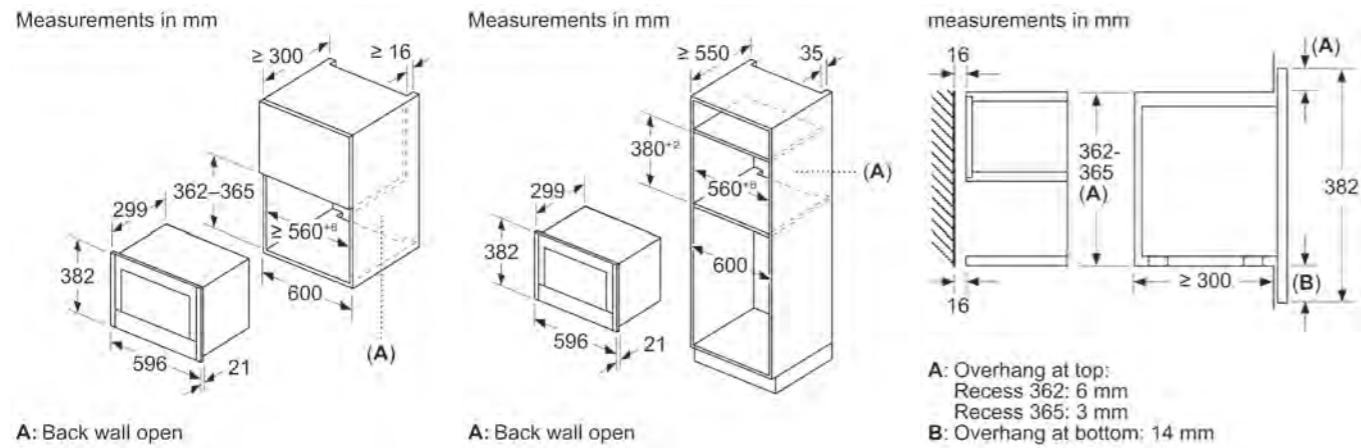


Measurements in mm. The line drawings featured in this brochure are provided as a guide to general dimensions only and are subject to amendment without prior notice. For full dimensional and installation details please refer to the documentation supplied with the appliance.

Measurements in mm. The line drawings featured in this brochure are provided as a guide to general dimensions only and are subject to amendment without prior notice. For full dimensional and installation details please refer to the documentation supplied with the appliance.

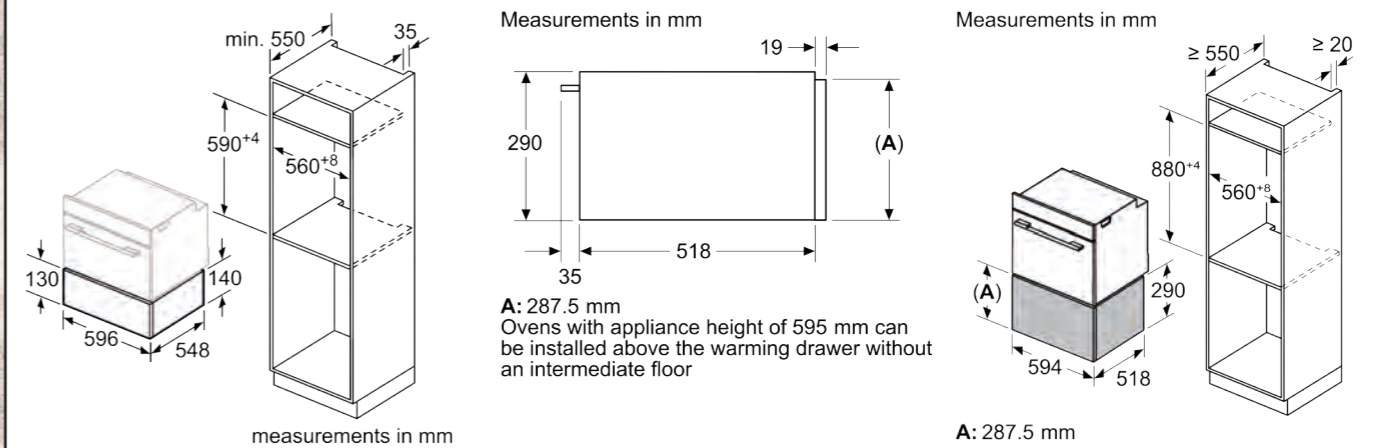
N70 / N50 38cm Microwave Ovens

NL4GR31G1B, NR4GR31G1B, NL4WR21G1B, NR4WR21G1B

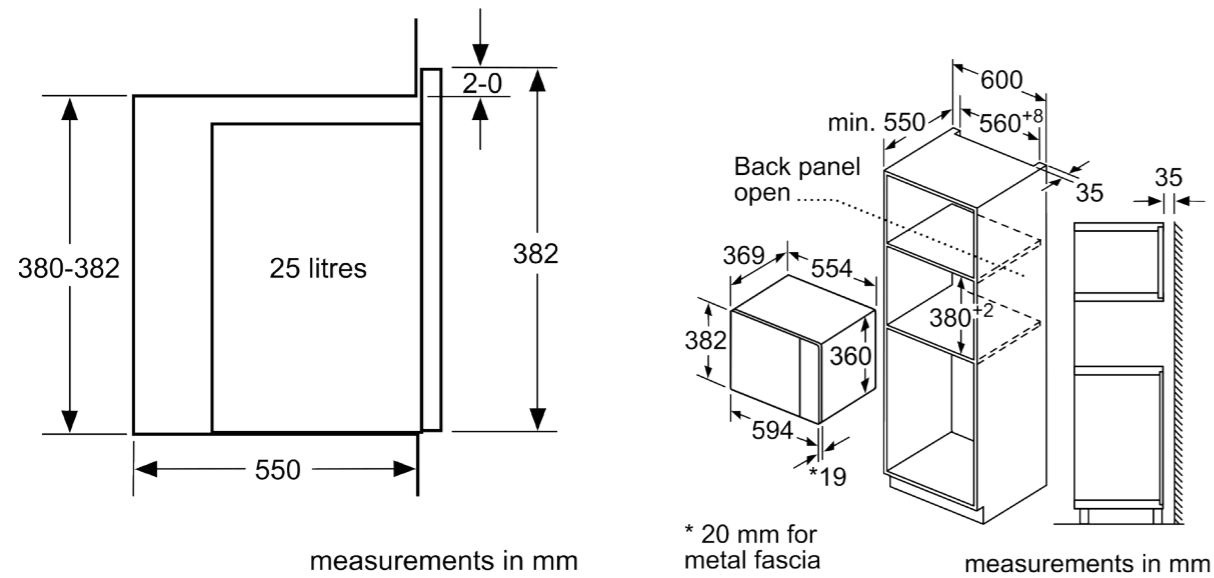


Warming Drawers

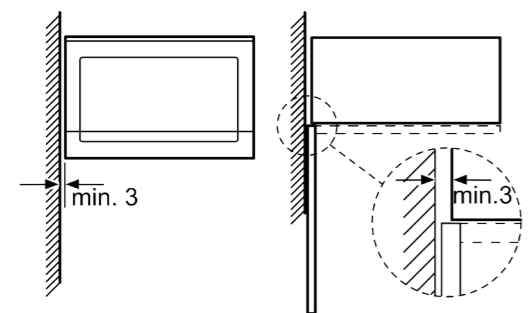
N34HA11G1B, N34HA11N1B



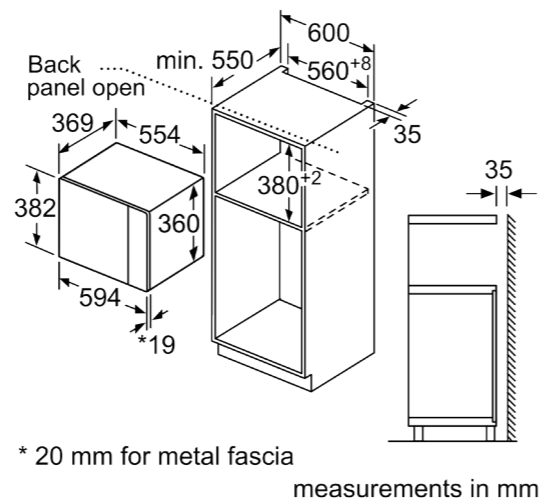
HLAWD53N0B, HLAWD23G0B, HLAWD23G0B



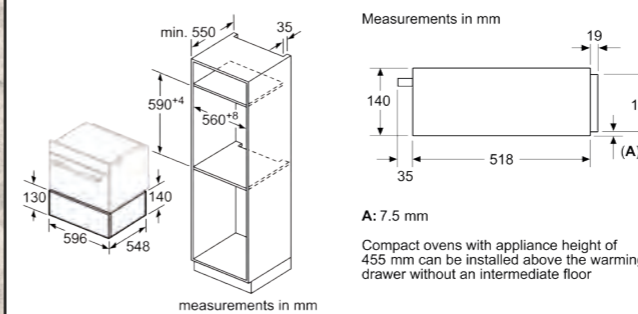
Microwave, corner installation



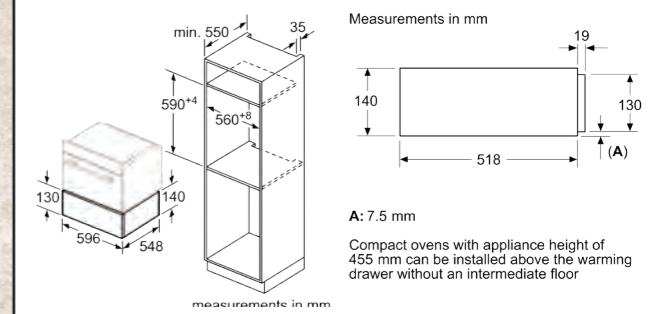
Measurements in mm



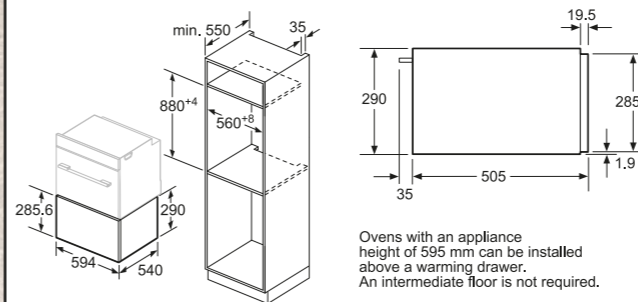
N24HA11G1B, N24HA11N1B



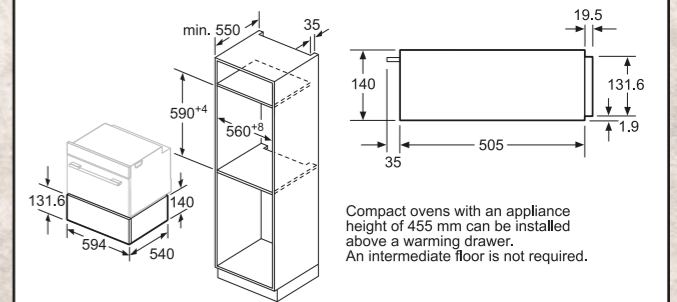
N24ZA11G1



N1AHA02N0B



N1AHA01N0B, N1AHA01G0B





NEFF HOB *Range*

The right hob for every cooking style

Cooking and kitchen design are all about creativity and individual taste and the NEFF range of surface cooking hobs have a broad range of hobs to suit all styles.

- The range includes electric models, for those that like a seamless glass top, or for those that still love gas cooking, our hobs come in a range of sizes and finishes, with some models featuring a large central wok burner.
- NEFF Electric Hobs
 - Venting Hobs – available in 80cm, 70cm and 60cm sizes.
 - Flex Induction Hobs – available in 90cm, 80cm and 60cm sizes.
 - Induction Hobs – available in 80cm and 60cm sizes, all finished in black glass.
 - Ceramic Hobs – available in 80cm and 60cm sizes.
- NEFF Gas Hobs – available in 90cm, 75cm, 60cm sizes, and a variety of finishes.
- All the NEFF hob range have a variety of installation styles to suit all kitchen designs.
- Venting Hobs can be installed as recirculated or vented out, with a variety of solutions.
- Certain flex induction hobs can be installed with our Glass Draft hood next to one another or seamlessly.
- There are a variety of options when it comes to control panels and how to operate. Adding NEFF Home Connect means the hob and an equivalent connected NEFF hood can link together via Hob Hood connection, so when the hob is turned on the hood will start automatically.



Your Guide To Hobs

Rethink cooking in NEFF's infinite kitchen

A great meal is all about the ingredients and cooking process. And it's the same when it comes to choosing the right hob. If you want flexibility, an electric Flex Induction hob might be what you're after. Or reclaim your space in the kitchen with our Venting Hob. With integrated ventilation you can install your hob on a kitchen island to create a sociable space when cooking. There's a NEFF hob for everyone to get creative with.



Venting Hobs

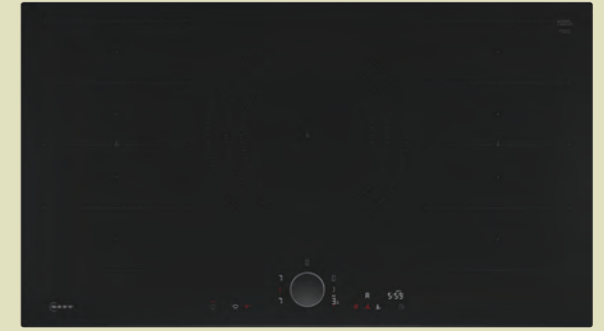
- The 2-in-1 Hob and Hood is here. With freedom from a conventional wall or island hood, our integrated cooktop ventilation allows you to reclaim your space in the kitchen. The NEFF Venting Hob is set to create the stylish and sociable kitchen you've always dreamt of.
- Our Venting Hobs offer maximum flexibility in installation options - Unducted, Partly Ducted, Fully Ducted & Ducted out.



Featured model:
V58PHQ4C0 N70 80cm Venting Hob with Twist Touch® Control

Flex Induction Hobs

- For sociable cooks who often find themselves juggling multiple pans, a Flex Induction hob provides any size pan, anywhere cooking within the zones.
- When the zones are activated, pans will receive instant, even and rapid heat transference wherever they are placed. Our range of Flex Induction hobs are available with a number of controls either with Twist Touch® control or using a NEFF Anthracite Grey Twist Pad®.



Featured model:
T69FUV4L0 N90 90cm Flex induction hob with Anthracite Grey Twist Pad®



Featured model:
T56FHS1L0 N70 60cm Induction Hob Twist Touch® Control

Induction Hobs

- If sleek, stylish and clean lines are more in keeping with your kitchen design, our Induction hobs provide a minimalistic and premium look whilst providing a quick and responsive cooking surface.
- Cooking with an Induction Hob saves energy and is incredibly safe – there is little residual heat once the saucepan is removed from the hob.

Ceramic Hobs

- With their frameless design, our Ceramic hobs stand out in any kitchen, and a whole range of options with up to 17 power settings makes preparing the next feast as easy as pie.
- Better still, our enhanced touch control panel provides full flexibility over your cooking.



Featured model:
T16NBE1L N50 60cm Ceramic Hob




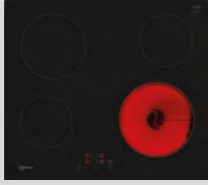



Featured model:
T27PIQ4S0 N70 75cm Gas Hob

Gas Hobs

- For traditionalists who prefer to see exactly how much heat is delivered to their pans, gas cooking provides a robust and reliable way to prepare your favourite dishes.
- You can control your hob by numbers and not by eye with our precise and responsive Flame Select® heat control feature, available across selected gas hobs.

Hobs Range at a glance

| HOB TYPE | VALUE CLASS | 90CM | | 80CM | | | 75CM | | | 70CM | 60CM | | |
|--|-------------|--|--|---|--|---|---|---|--|--|---|--|--|
| | | | | | | | | | | | | | |
|  <p>NEFF VENTING HOBS With four recirculation or ducted out installation options, Unducted Recirculation is the easiest and quickest to fit.</p> | N90 | | V68AUX4C0 Anthracite Grey Trim & Twist Pad Control, 2 x Flex Zones, Extended Frying Sensor | | | | | | V57THQ4L0 Twist Touch, Stainless Steel Frame, Extended Frying Sensor | | | | |
| | N70 | | V58PHQ4C0 Twist Touch Control, Extended Frying Sensor, Frameless, Flushline Installation | | V58NHQ4L0 Twist Touch Control, Extended Frying Sensor, Frameless | | | | | | | | |
| | N50 | | V58NBS1L0 Touch Control, Frameless | | | | | | | V56NBS1L0 Touch Control, Frameless | | | |
|  <p>FLEX INDUCTION HOBS Versatile and precise cooking with flexible placement of cookware on a single cooking zone.</p> | N90 | T69FUV4L0 Twist Pad, 2 Flex Zones, Extended Frying Sensor, Bevel Front | T68FUV4L0 Twist Pad, 2 x Flex Zones, Extended Frying Sensor, Bevel Front | | | | | | | | | | |
| | N70 | T69FHV4L0 Twist Touch, 2 Flex Zones, Extended Frying Sensor, Bevel Front | T68FHV4L0 Twist Touch, 1 x Flex Zone, Extended Frying Sensor, Bevel Front | | | | | | | T66FHX4L0 Twist Touch, 2 x Flex Zones, Extended Frying Sensor, Bevel Front | T66FHE4L0 Twist Touch, 1 x Flex Zone, Extended Frying Sensor, Bevel Front | | |
|  <p>INDUCTION HOBS Fast, efficient, and precise cooking with instant heat and precise temperature control.</p> | N70 | | T58FHW1L0 Twist Touch, 5 Combi Zones, Bevel Front | T58PHW1L0 Twist Touch, 5 Combi Zones, Flushline | | | | | | T56FHS1L0 Twist Touch, 4 Combi Zones, Bevel Front | | | |
| | N30 | | | | | | | | | T36FBE1L0 Touch Control, 4 Zones, Bevel Front | T36FBE1L0G Touch Control, 4 Zones, Plug & Play with GB Plug, Bevel Front | T36CA50X1U Touch Control, 4 Zones, 1 Boost Zone, Plug & Play with GB Plug, Frameless | |
|  <p>CERAMIC HOBS Sleek and easy-to-clean cooking surfaces with responsive heat for effortless cooking.</p> | N70 | | T18FDH9L Touch Control, 4 Zones, Dual & Extendable Zones, Bevel Front | | | | | | | | | | |
| | N50 | | | | | | | | | T16NBE1L Touch Control, 4 Zones, Frameless | | | |
| | N30 | | | | | | | | | T16NKE0L Side Control Dials, 4 Zones, Frameless | | | |
|  <p>GAS HOBS ON BLACK GLASS The timeless combination of gas cooking with the sleek elegance of black glass surfaces.</p> | N90 | T29RHS4S0 5 Burner, Flag Layout, Flame Select, 5kW Wok Burner | | | | | | | | | | | |
| | N70 | | | | | T27PIQ4S0 5 Burner, Star Layout, Flame Select, 4kW Wok Burner | T27CIQ8S0 5 Burner, Star Layout, 4kW Wok Burner, Flame Select | | | T26PIP4S0 4 Burner, Flame Select | T26CIP8S0 4 Burner, Flame Select | | |
| | N50 | | | | | | | | | T26NKP4S0 4 Burner | | | |
| | N30 | | | | | | | | | T26BKP6S0 4 Burner, Side Control | | | |
| | N70 | T29CIR8N0 5 Burner, Star Layout, Flame Select, 5kW Wok Burner | | | | | | T27CIQ8N0 5 Burner, Star Layout, 4kW Wok Burner, Flame Select | T27CIS8N0 5 Burner, 5kW Wok Burner, Flag Layout, Flame Select | T27GKQ8N0 5 Burner, 3.3kW Wok Burner | T26CIH8N0 4 Burner, 3.5kW Wok Burner, Flame Select | T26CIP8N0 4 Burner, Flame Select | |
| N50 | | | | | | | | | T26GKH8N0 4 Burner, 3.3kW Wok Burner | | | | |
| N30 | | | | | | | | | | T26BKP6N0 4 Burner, Side Control | | | |

ELECTRIC HOBS

GAS HOBS

THE NEFF OVEN COLLECTIONS

HOBS

VENTILATION

REFRIGERATION

DISHWASHING

LAUNDRY

Guide To Electric Hobs

Venting Hobs

AVAILABLE IN 80CM, 70CM AND 60CM SIZES.



Featured model:
V58PHQ4C0 N70 80cm Venting Hob with new Twist Touch® Control

Induction Hobs

AVAILABLE IN 80CM AND 60CM SIZES.



Featured model:
T56FHS1L0 N70 60cm Induction Hob new Twist Touch® Control

Flex Induction Hobs

AVAILABLE IN 90CM, 80CM AND 60CM SIZES.



Featured model:
T69FUV4L0 N90 90cm Flex induction hob with new Anthracite Grey Twist Pad®

Ceramic Hobs

AVAILABLE IN 80CM AND 60CM SIZES.



Featured model:
T16NBE1L N50 60cm Ceramic Hob

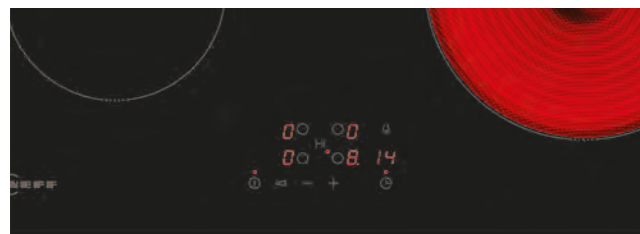
Ceramic & Induction Hobs Finishes



Frameless with front bevel



Flushline



Frameless

General Features

COMBI INDUCTION

2 individual induction cooking zones can be combined to 1 large zone with even heat distribution.

EXTENDED FRYING SENSOR

The sensor automatically adjusts the heat to the pan to maintain an even temperature. This control allows you to cook all dishes to perfection as it maintains a consistent heat preventing overcooking or burning.

POWER BOOST

More heat when you need it. Power Boost is our smart, time-saving cooking hack. Want to boil your pasta water in a flash? Simply activate Power Boost to heat it much faster. Get a flexible boost for your dishes.

TWIST TOUCH®

Direct interaction with a twist of your finger. Twist Touch® control lets you select everything with the tip of your finger. Choose your desired cooking zone or select your preferred power level – cooking the easy way.

ANTHRACITE GREY TWIST PAD®

The Anthracite Grey Twist Pad® allows you to precisely adjust the heating degree of pots, frying pans and grills with just one finger touch. Simply touch the Anthracite Grey Twist Pad® lightly to activate the desired cooking zone, then rotate to select the desired power level. The magnetic Anthracite Grey Twist Pad® is removable and ready to transform your hob into a creative and easy-to-clean hotspot!

COMBI ZONE

The Combi Zone allows you to combine two adjacent cooking zones into a single, larger zone. This flexibility enables the use of larger cookware or multiple pots and pans simultaneously, accommodating various cooking needs.

TOUCH CONTROL

Simply select a zone then swipe your finger across the control panel to select a heat mode.

POWER TRANSFER

Move your pots, not your focus. Power Transfer recognizes the heat level and size of your pot, automatically transferring these settings to the new location when you move it. No more pushing and adjusting, a gentle tap is enough to confirm, keeping your focus on the essence of cooking – your intuition.

POWER MOVE

With Power Move, you have the flexibility to move pots and pans between two or three heating zones to accommodate various cooking needs.

FLEX INDUCTION

Flex Induction allows for flexibility with cooking by having larger cooking zones which automatically detect the size of the pans. This means you can use larger cookware like griddle plates or large casserole dishes with even heat distribution.

NEFF Home Connect Features

NEFF HOME CONNECT

Control your hob easily from your smartphone or voice assistant when connected with the NEFF Home Connect app.

HOB-HOOD CONTROL

Our Hob-Hood Control is a convenient feature that creates real cooking comfort. When you start your hob, your hood will turn on automatically. To do so, simply pair your hob and hood with the NEFF Home Connect app.

FAVOURITE BUTTON

Personalise your hob according to your preferences: using NEFF Home Connect you can add your favourite functions to your hob and operate them directly via the Favourite Button in the user interface. This allows you to switch the hood lights on or off with ease from your hob or combine different settings to easily cook your everyday dishes at a glance.

Safety Features

RESIDUAL HEAT INDICATOR

The moment you turn off your hob, the display offers a clever safety function, indicating which cooking zones are still hot or warm.

SAFETY TIME SWITCH OFF

For safety reasons, heating stops after a preset time if not used. It is possible to customise this feature.

CONTROL PANEL LOCK

Prevents unintended activation of the hob.

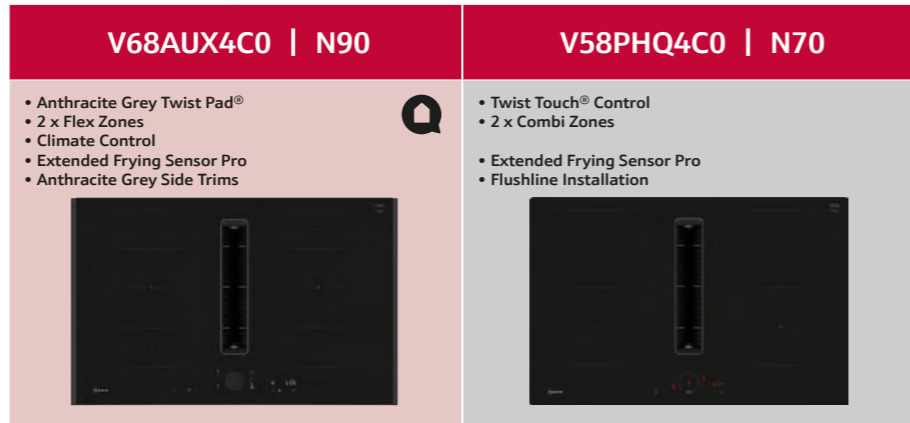
PAUSE

The Pause function allows you to easily pause the heating and block all buttons on your hob, giving you the flexibility to attend to other tasks while cooking. You can pause and then continue cooking within the next 10 minutes.

Venting Hobs

- Installed with energy efficient brushless motors that offer powerful but quiet performance.
- Can be installed in Recirculation or Ducted Out – 4 Ventilation solutions available.
- A larger Overflow container will hold up to 700ml and is integrated in the base of the appliance so will not impact on storage space below.
- To install in re-circulation mode no further components are required.

80CM



- Anthracite Grey Twist Pad®
- 2 x Flex Zones
- Climate Control
- Extended Frying Sensor Pro
- Anthracite Grey Side Trims

- Twist Touch® Control
- 2 x Combi Zones
- Extended Frying Sensor Pro
- Flushline Installation

| KEY FEATURES | V68AUX4C0 N90 | V58PHQ4C0 N70 |
|--|---------------------------|---------------------------|
| Home Connect | • | • |
| Integrated extractor | • | • |
| Automatic extraction | Fully sensor based | Auto-On |
| Favourite Button | • | • |
| Extended Frying Sensor | 11 settings | 11 settings |
| Power Move / Power Boost / Power Transfer | / ● / ● | / ● / |
| Flex Induction | • | • |
| Number of Flex Induction zones | 2 | 2: Left & Right |
| Combi Zone Induction | | 2: Left & Right |
| HOBB FEATURES | | |
| Number of individual zones | 4 | 4 |
| Power Levels | 17 | 17 |
| Digital display / Adaptable Volume | ● / ● | ● / ● |
| Count up Timer / Count down timer | / ● | / ● |
| Main on/off switch / Quick Start / Restart Function / Quick Stop | ● / ● / ● / | ● / ● / ● / |
| Energy Consumption Display | • | • |
| Pan Recognition / Pan Boost | ● / | ● / |
| Demo Mode | • | • |
| Dish Categories / Setting Recommendations | Via HC | Via HC |
| Keep Warm Function | Via HC / Favourite Button | Via HC / Favourite Button |
| SAFETY FEATURES | | |
| Residual Heat Indicator / Pause Function | ● / ● | ● / ● |
| Timer with automatic switch off for each zone | • | • |
| Control Panel Lock / Safety Time Switch off | ● / ● | ● / ● |
| HOOD FEATURES | | |
| Climate Control sensor | • | • |
| Power levels | 17 + 2 Intensive | 9 + 2 Intensive |
| Automatic intensive revert setting | 6 minutes | 6 minutes |
| Automatic or manual control / Interval operation | ● / ● | ● / ● |
| Automatic after running (extraction/recirculation) | 12 / 30 minutes | 30 minutes |
| Dishwasher safe grease filter cassette with spillage collection | Yes - 200ml capacity | Yes - 200ml capacity |
| Dishwasher safe spillage overflow collector | 700ml capacity | 700ml capacity |
| Metal grease filter / Electronic grease filter / cleanAir filter saturation indicators | ● / ● / ● | ● / ● / ● |
| PERFORMANCE / TECHNICAL INFORMATION – HOBB | | |
| Nominal voltage / Maximum power output | V / W 220-240 / 7,400 | 220-240 / 7,400 |
| Electrical cable length | cm 110 | 110 |
| Rear left Induction zone | kW/mm 2.20 200x240 | 2.50 190x210 |
| Rear right Induction zone | kW/mm 2.20 200x240 | 2.50 190x210 |
| Front left Induction zone | kW/mm 2.20 200x240 | 2.50 190x210 |
| Front right Induction zone | kW/mm 2.20 200x240 | 2.50 190x210 |
| Flex Induction zone left | kW/mm 3.30 400x240 | |
| Flex Induction zone right | kW/mm 3.30 400x240 | |
| CombiZone left | kW/mm | 3.60 380x210 |
| CombiZone right | kW/mm | 3.60 380x210 |
| Rear left / right zone – with Power Boost | max. kW 3.70 / 3.70 | 3.70 / 3.70 |
| Front left / right zone – with Power Boost | max. kW 3.70 / 3.70 | 3.70 / 3.70 |
| PERFORMANCE / TECHNICAL INFORMATION – EXTRACTOR | | |
| Extractor energy efficiency rating | A B | A B |
| Extraction Rate in m³/h¹² | | |
| Ducted / Recirculating power level Minimum | 154 / 132 | 154 / 117 |
| Ducted / Recirculating power level Maximum | 500 / 499 | 500 / 487 |
| Ducted / Recirculating power level Intensive | 622 / 595 | 622 / 595 |
| Noise level (sound power) based on dB(A) re 1 pW³ | | |
| Ducted / Recirculating power level Minimum | 42 / 41 | 42 / 41 |
| Ducted / Recirculating power level Maximum | 69 / 68 | 69 / 68 |
| Ducted / Recirculating power level Intensive | 74 / 72 | 74 / 72 |
| Motor power | 170 | 170 |

80CM

70CM

60CM



- Twist Touch® Control
- 2 x Combi Zones
- Extended Frying Sensor Pro

- Touch Control
- 4 Zones / 1 Combi zone

- Twist Touch® Control
- 2 x Combi Zones
- Extended Frying Sensor Pro
- Stainless Steel Side Trims

- Touch Control
- 4 Zones / 1 Combi zone

| KEY FEATURES | V58NHQ4L0 N70 | V58NBS1L0 N50 | V57THQ4L0 N70 | V56NBS1L0 N50 |
|--|---------------------------|---------------------------|---------------------------|---------------------------|
| Home Connect | • | • | • | • |
| Integrated extractor | • | • | • | • |
| Automatic extraction | Auto-On | Auto-On | Auto-On | Auto-On |
| Favourite Button | • | • | • | • |
| Extended Frying Sensor | 11 settings | | 11 settings | |
| Power Move / Power Boost / Power Transfer | / ● / | / ● / | / ● / | / ● / |
| Flex Induction | • | • | • | • |
| Number of Flex Induction zones | 2 | 2: Left & Right | 2: Left & Right | 2: Left & Right |
| Combi Zone Induction | | 2: Left & Right | 2: Left & Right | |
| HOBB FEATURES | | | | |
| Number of individual zones | 4 | 4 | 4 | 4 |
| Power Levels | 17 | 17 | 17 | 17 |
| Digital display / Adaptable Volume | ● / ● | ● / ● | ● / ● | ● / ● |
| Count up Timer / Count down timer | / ● | / ● | / ● | / ● |
| Main on/off switch / Quick Start / Restart Function / Quick Stop | ● / ● / ● / | ● / ● / ● / | ● / ● / ● / | ● / ● / ● / |
| Energy Consumption Display | • | • | • | • |
| Pan Recognition / Pan Boost | ● / | ● / | ● / | ● / |
| Demo Mode | • | • | • | • |
| Dish Categories / Setting Recommendations | Via HC | Via HC | Via HC | Via HC |
| Keep Warm Function | Via HC / Favourite Button | Via HC / Favourite Button | Via HC / Favourite Button | Via HC / Favourite Button |
| SAFETY FEATURES | | | | |
| Residual Heat Indicator / Pause Function | ● / ● | ● / ● | ● / ● | ● / ● |
| Timer with automatic switch off for each zone | • | • | • | • |
| Control Panel Lock / Safety Time Switch off | ● / ● | ● / ● | ● / ● | ● / ● |
| HOOD FEATURES | | | | |
| Climate Control sensor | • | • | • | • |
| Power levels | 9 + 2 Intensive | 3 + 1 Intensive | 9 + 2 Intensive | 3 + 1 Intensive |
| Automatic intensive revert setting | 6 minutes | 6 minutes | 6 minutes | 6 minutes |
| Automatic or manual control / Interval operation | ● / ● | ● / ● | ● / ● | ● / ● |
| Automatic after running (extraction/recirculation) | 30 minutes | 12 / 30 minutes | 30 minutes | 12 / 30 minutes |
| Dishwasher safe grease filter cassette with spillage collection | Yes - 200ml capacity | Yes - 200ml capacity | Yes - 200ml capacity | Yes - 200ml capacity |
| Dishwasher safe spillage overflow collector | 700ml capacity | 700ml capacity | 700ml capacity | 700ml capacity |
| Metal grease filter / Electronic grease filter / cleanAir filter saturation indicators | ● / ● / ● | ● / ● / ● | ● / ● / ● | ● / ● / ● |
| PERFORMANCE / TECHNICAL INFORMATION – HOBB | | | | |
| Nominal voltage / Maximum power output | V / W 220-240 / 7,400 | 220-240 / 7,400 | 220-240 / 7,400 | 220-240 / 7,400 |
| Electrical cable length | cm 110 | 110 | 110 | 110 |
| Rear left Induction zone | kW/mm 2.50 190x210 | 2.20 190x210 | 2.50 190x210 | 2.20 190x210 |
| Rear right Induction zone | kW/mm 2.50 190x210 | 1.80 180 | 2.50 190x210 | 1.40 145 |
| Front left Induction zone | kW/mm 2.50 190x210 | 2.20 190x210 | 2.50 190x210 | 2.20 190x210 |
| Front right Induction zone | kW/mm 2.50 190x210 | 2.20 210 | 2.50 190x210 | 2.20 210 |
| Flex Induction zone left | kW/mm | | | |
| Flex Induction zone right | kW/mm | | | |
| CombiZone left | kW/mm | 3.60 380x210 | 3.60 380x210 | 3.60 380x210 |
| CombiZone right | kW/mm | 3.60 380x210 | 3.60 380x210 | 3.60 380x210 |
| Rear left / right zone – with Power Boost | max. kW 3.70 / 3.70 | 3.70 / 3.10 | 3.70 / 3.70 | 3.70 / 2.20 |
| Front left / right zone – with Power Boost | max. kW 3.70 / 3.70 | 3.70 / 3.70 | 3.70 / 3.70 | 3.70 / 3.70 |
| PERFORMANCE / TECHNICAL INFORMATION – EXTRACTOR | | | | |
| Extractor energy efficiency rating | A B | A B | A B | A B |
| Extraction Rate in m³/h¹² | | | | |
| Ducted / Recirculating power level Minimum | 154 / 117 | 330 / 252 | 154 / 117 | 330 / 252 |
| Ducted / Recirculating power level Maximum | 500 / 487 | 500 / 441 | 500 / 487 | 500 / 441 |
| Ducted / Recirculating power level Intensive | 622 / 595 | 622 / 595 | 622 / 595 | 622 / 595 |
| Noise level (sound power) based on dB(A) re 1 pW³ | | | | |
| Ducted / Recirculating power level Minimum | 42 / 41 | 61 / 55 | 42 / 41 | 61 / 55 |
| Ducted / Recirculating power level Maximum | 69 / 68 | 69 / 66 | 69 / 68 | 69 / 66 |
| Ducted / Recirculating power level Intensive | 74 / 72 | 74 / 72 | 74 / 72 | 74 / 72 |
| Motor power | 170 | 170 | 170 | 170 |

¹ Air flow and noise declarations made in line with CECEC Code Of Conduct. ² Measured according to EN61591 on largest pipe diameter. ³ Sound power measured according to EN60704-3 on largest pipe diameter.

Venting Hob Installation Options

For the full range of installation accessories see page 68 of the Appliance Line Drawings.

UNDUCTED RECIRCULATION

Why use Unducted Recirculation

- Easy and quick to fit
- Less parts
- Cost effective

Requires no reduction in depth to the bottom two drawers and allows for more design flexibility, for example, floating islands.

Automatic run on of the extractor fan at min power level dries the filters and continues air flow through the service void, removing any potential moisture for extra safety.



Full Depth Drawers Possible



PARTLY DUCTED RECIRCULATION

Why use Partly Ducted Recirculation

Required when the distance from the back of the appliance to back of the base unit void is greater than 80mm.

Suitable for installations with non insulated walls or where damp has been an issue.



Maximum drawer depth 513mm with 70+cm worktop



FULLY DUCTED RECIRCULATION

Why use Fully Ducted Recirculation

Required when the distance from the back of the appliance to back of the base unit void is greater than 80mm.

Gives total peace of mind for non insulated walls or where damp has been an issue.



Maximum Drawer Depth 513mm with 70+cm worktop



DUCTED OUT EXTRACTION

Why use Ducted Out

Allows the removal of heat and moisture created by cooking, as well as grease and odour.

An improvement of extraction rate over recirculation modes* 615m³/h recirculation 622m³/h ducted out

*As per test parameters for the energy label declaration.



Maximum Drawer Depth 513mm with 70+ worktop



Installation considerations

What do I need?

- 4 x cleanAir filters and telescopic slider.
- These are supplied as standard with all inductionAir Plus appliances.

Good to know

- Telescopic slider ventilates air from the appliance into the service void. Max expansion of slider 80mm.
- Min requirement of service void 25mm, recommended 50mm min.

Important to note

- This option is NOT suitable for installations with non insulated walls.
- This is the ONLY installation type that uses the telescopic slider.

Installation considerations

What do I need?

- 4 x cleanAir re-circulating filters. Supplied with appliance.
- Starter Kit 1 **Z861KR0** or 2 **Z861KR1** depending on the work surface depth.

Good to know

- Partly Ducted Recirculation takes the air down into the plinth and ventilates in through the plinth cavity.
- This requires greater depth work surface or reduced depth drawers.
- The 94mm ducting height cannot be changed to a slimmer version (reduces effectiveness) using an adaptor, as the 94mm space is still needed for the 90 degree turn from the horizontal to the vertical.

Important to note

- Starter Kits 1 and 2 provide all the required ducting and connectors for this mode of installation.
- The appliance may be fitted with another manufacturers ducting that has a rounded radius (please check compatibility before purchase). You will still need to purchase a (**Z821PD1**) diffuser.

Installation considerations

What do I need?

- 4 x cleanAir re-circulating filters. Supplied with appliance.
- Starter Kit 1 **Z861KR0** or 2 **Z861KR1** depending on the work surface depth
- To fully duct to the plinth an additional straight channel and a connector are required. A 500mm ducting section should be sufficient in most cases depending on worktop depth.

Good to know

- Full Recirculation kit takes air down through the plinth and out into the room via a plinth vent.
- This requires greater depth or reduced depth drawers.
- The 94mm ducting height cannot be changed to a slimmer version (reduces effectiveness) using an adaptor, as the 94mm space is still needed for the 90 degree turn from the horizontal to the vertical.

Important to note

- The appliance maybe fitted with another manufacturers ducting that has a rounded radius (please check compatibility before purchase). You will still need to purchase a (**Z821PD1**) diffuser.

Installation considerations

What do I need?

- Starter Kit 3 **Z861KE1** (Includes 4 acoustic filters, radius bend, connector and 50cm straight channel).
- To complete your installation we can provide additional ducting lengths, connectors and adaptors.

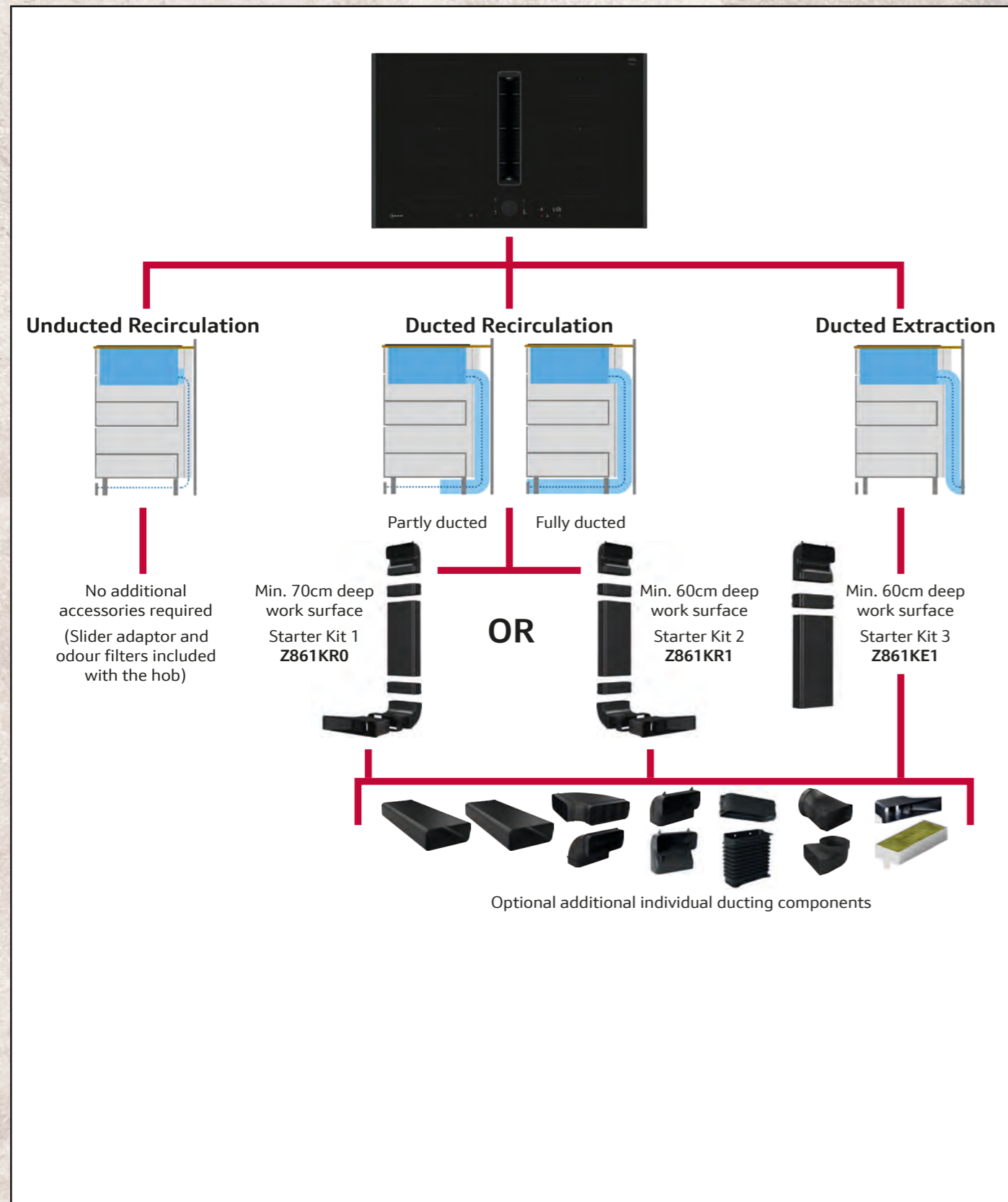
Good to know

- It is also possible to use a fully ducted system, out of the kitchen.
- The acoustic filter kit is still required and is accessed the same way as the recirculation options.
- The Venting hob has been tested with a ducting run of 8 metres with 3 x 90 degree turns and maintaining efficient performance.
- We don't currently offer an external grid to go on the outside wall – this needs to be sourced independently.

Important to note

- The appliance maybe fitted with another manufacturers ducting that has a rounded radius (please check compatibility before purchase) You will still need to purchase (**Z811DU0**) x4 acoustic filters.

Venting Hobs Installation Options and Accessories



Venting Hobs Ducting Components

| DESCRIPTION | CODE | MEASUREMENTS (mm) | COMPONENT |
|---|---------|-------------------|-----------|
| Flat channel ducting component, straight length, 100cm long Ducting component outlet size: 222mm x 89mm | Z861SM2 | | |
| Flat channel ducting component, straight length, 50cm long Ducting component outlet size: 222mm x 89mm | Z861SM1 | | |
| Flat channel 90° horizontal bend Ducting component outlet size: 222mm x 89mm | Z861SB1 | | |
| Flat channel 90° vertical bend (large Radius), suitable for 70cm worktop depths Ducting component outlet size: 222mm x 89mm | Z861SB2 | | |
| Flat channel 90° vertical bend (medium Radius), suitable for 65cm worktop depths Ducting component outlet size: 222mm x 89mm | Z861SB3 | | |
| Flat channel 90° vertical bend (short Radius), suitable for 60cm worktop depths Ducting component outlet size: 222mm x 89mm | Z861SB4 | | |
| Connection piece for use between ducting components and bends Ducting component size: 223mm x 90mm | Z861SS1 | | |
| Flexible Connection piece for use between ducting components and bends Ducting component size: 223mm x 90mm | Z861SS2 | | |
| Straight Adaptor / Converter flat to round (Ø 150mm) Ducting component outlet size: 222mm x 89mm | Z861S10 | | |
| 90° Adaptor / Converter flat to round (Ø 150mm) Ducting component outlet size: 222 mm x 89mm | Z861S11 | | |
| Diffusor for ducted recirculation - outlet size: 222mm x 89mm | Z821PD1 | | |
| 1 x set of CleanAir recirculation filters, Z811DU0 1 X set of Acoustic filters | Z821VR1 | | |

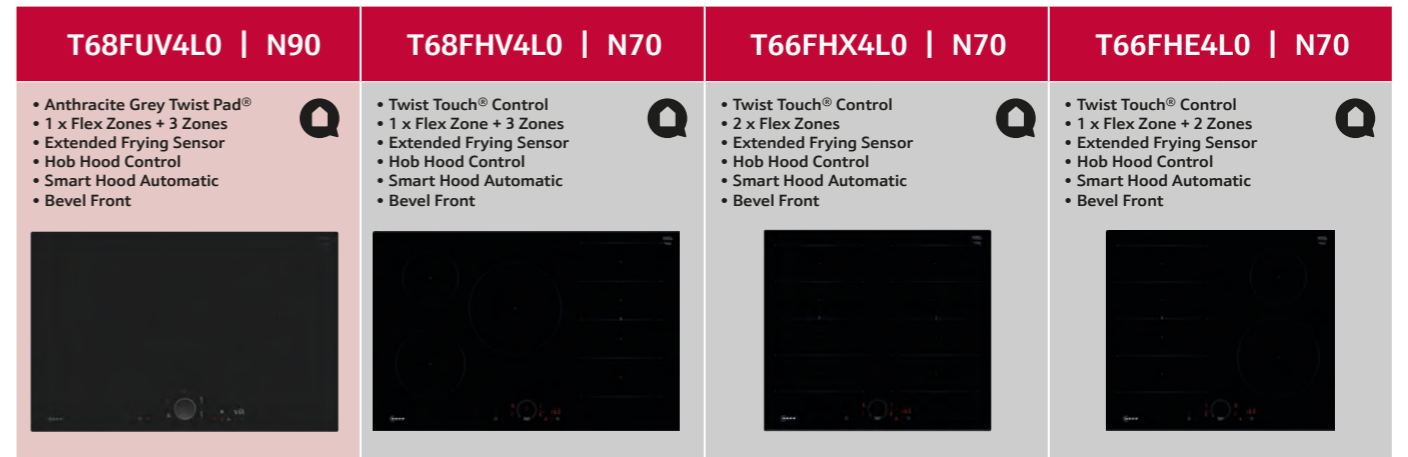
Flex Induction Hobs

90CM



| | T69FUV4LO N90 | T69FHV4LO N70 |
|---|---------------------------|---------------------------|
| KEY FEATURES | | |
| Home Connect | • | • |
| Hob-Hood Control | • | • |
| 5" Full Touch colour display with Dish Categories | Via HC | Via HC |
| Favourite Button | • | • |
| Smart Hood Automatic | • | • |
| Extended Frying Sensor | 11 settings | 11 settings |
| Power Move / Power Boost / Power Transfer | / ● / ● | / ● / ● |
| Pan Boost | Via HC/Favourite Button | |
| Number of Flex Induction zones | 2+3 Triple ring zone | 2 |
| Extended Flex Induction Zone | | |
| Number of Combi Induction zones | | |
| FEATURES | | |
| Number of individual zones | 5 | 5 |
| Power levels | 17 | 17 |
| Digital display / Adaptable Volume | Red / White Display / ● | ● / ● |
| Count up Timer | | |
| QuickStart | • | • |
| Restart Function | • | • |
| Energy Consumption Display | • | • |
| Main on/off switch | • | • |
| Quick-Off Function / Pause Function | / ● | / ● |
| Pan Recognition | • | • |
| Demo Mode | • | • |
| Keep Warm Function | Via HC / Favourite Button | Via HC / Favourite Button |
| SAFETY FEATURES | | |
| Residual Heat Indicator | • | • |
| Timer with automatic switch off for each zone | • | • |
| Control Panel Lock | • | • |
| Safety Time Switch off | • | • |
| PERFORMANCE / TECHNICAL INFORMATION | | |
| Nominal voltage | V 220-240 | 220-240 |
| Maximum power output | W 11,100 | 11,100 |
| Electrical cable length | cm 110 | 110 |
| Plug&Play with GB plug | | |
| Rear left Flex Induction zone - power | kW/mm 2.20 | 2.20 |
| Rear left zone power | 200x230 | 200x230 |
| Rear right Flex Induction zone - power | kW/mm 2.20 | 2.20 |
| Rear right zone power | 200x230 | 200x230 |
| Rear Centre zone power | kW/ mm 2.20, 2.60, 3.30 | 2.20, 2.60, 3.30 |
| Front Centre zone power | 210, 260, 320 | 210, 260, 320 |
| Front left Flex Induction zone - power | kW/mm 2.20 | 2.20 |
| Front left zone power | 200x230 | 200x230 |
| Front right Flex Induction zone - power | kW/mm 2.20 | 2.20 |
| Front right zone power | 200x230 | 200x230 |
| Flex Induction Zone left power | kW/mm 3.30 | 3.30 |
| Flex Induction Zone right power | 400x230 | 400x230 |
| Extended Flex Induction rear left - power | kW/mm 3.30 | 3.30 |
| Extended Flex Induction rear right - power | 400x230 | 400x230 |
| Combi Zone left power | | |
| Combi Zone right power | | |
| Rear left zone with Power Boost | (max. kW) 3.70 | 3.70 |
| Rear right zone with Power Boost | (max. kW) 3.70 | 3.70 |
| Rear Centre zone with Power Boost | (max. kW) 3.70 | 3.70 |
| Front Centre zone with Power Boost | (max. kW) 3.70 | 3.70 |
| Front left zone with Power Boost | (max. kW) 3.70 | 3.70 |
| Front right zone with Power Boost | (max. kW) 3.70 | 3.70 |

80CM



| | T68FUV4LO N90 | T68FHV4LO N70 | T66FHX4LO N70 | T66FHE4LO N70 |
|---|---------------------------|---------------------------|---------------------------|---------------------------|
| KEY FEATURES | | | | |
| Home Connect | • | • | • | • |
| Hob-Hood Control | • | • | • | • |
| 5" Full Touch colour display with Dish Categories | Via HC | Via HC | Via HC | Via HC |
| Favourite Button | • | • | • | • |
| Smart Hood Automatic | • | • | • | • |
| Extended Frying Sensor | 11 settings | 11 settings | 11 settings | 11 settings |
| Power Move / Power Boost / Power Transfer | / ● / ● | / ● / ● | / ● / ● | / ● / ● |
| Pan Boost | | | | |
| Number of Flex Induction zones | 1 | 1 | 2 | 1 |
| Extended Flex Induction Zone | | | | |
| Number of Combi Induction zones | | | | |
| FEATURES | | | | |
| Number of individual zones | 5 | 5 | 4 | 4 |
| Power levels | 17 | 17 | 17 | 17 |
| Digital display / Adaptable Volume | Red / White Display / ● | ● / ● | ● / ● | ● / ● |
| Count up Timer | | | | |
| QuickStart | • | • | • | • |
| Restart Function | • | • | • | • |
| Energy Consumption Display | • | • | • | • |
| Main on/off switch | • | • | • | • |
| Quick-Off Function / Pause Function | / ● | / ● | / ● | / ● |
| Pan Recognition | • | • | • | • |
| Demo Mode | • | • | • | • |
| Keep Warm Function | Via HC / Favourite Button | Via HC / Favourite Button | Via HC / Favourite Button | Via HC / Favourite Button |
| SAFETY FEATURES | | | | |
| Residual Heat Indicator | • | • | • | • |
| Timer with automatic switch off for each zone | • | • | • | • |
| Control Panel Lock | • | • | • | • |
| Safety Time Switch off | • | • | • | • |
| PERFORMANCE / TECHNICAL INFORMATION | | | | |
| Nominal voltage | V 220-240 | 220-240 | 220-240 | 220-240 |
| Maximum power output | W 7,400 | 7,400 | 7,400 | 7,400 |
| Electrical cable length | cm 110 | 110 | 110 | 110 |
| Plug&Play with GB plug | | | | |
| Rear left Flex Induction zone - power | kW/mm 1.40 | 1.60 | 2.20 | 2.20 |
| Rear left zone power | 145 | 145 | 190x230 | 190x230 |
| Rear right Flex Induction zone - power | kW/mm 2.20 | 2.20 | 2.20 | 2.20 |
| Rear right zone power | 200x210 | 200x210 | 190x230 | 190x230 |
| Rear Centre zone power | kW/ mm 2.20 | 2.20 | 2.20 | 1.60 |
| Front Centre zone power | 240 | 240 | 145 | |
| Front left Flex Induction zone - power | kW/mm 1.80 | 2.00 | 2.20 | 2.20 |
| Front left zone power | 180 | 180 | 190x230 | 190x230 |
| Front right Flex Induction zone - power | kW/mm 2.20 | 2.20 | 2.20 | 2.20 |
| Front right zone power | 200x210 | 200x210 | 190x230 | 190x230 |
| Flex Induction Zone left power | kW/mm 3.30 | 3.30 | 3.30 | 2.50 |
| Flex Induction Zone right power | 400x210 | 400x210 | 380x230 | 210 |
| Extended Flex Induction rear left - power | kW/mm 3.30 | 3.30 | 3.30 | 3.30 |
| Extended Flex Induction rear right - power | 380x230 | 380x230 | | |
| Combi Zone left power | | | | |
| Combi Zone right power | | | | |
| Rear left zone with Power Boost | (max. kW) 2.20 | 2.20 | 3.70 | 3.70 |
| Rear right zone with Power Boost | (max. kW) 3.70 | 3.70 | 3.70 | 2.20 |
| Rear Centre zone with Power Boost | (max. kW) 3.70 | 3.70 | | |
| Front Centre zone with Power Boost | (max. kW) 3.10 | 3.10 | 3.70 | 3.70 |
| Front left zone with Power Boost | (max. kW) 3.70 | 3.70 | | |
| Front right zone with Power Boost | (max. kW) 3.70 | 3.70 | | |

All models comply with COMMISSION REGULATION (EC) No 1275/2008 with regard to ecodesign requirements for standby and off mode electric power consumption. 14.6kW power output (20A); Current management options for 16A, 13A or 10A connection. *MasterPartner® and AAR product only.

THE NEFF OVEN COLLECTIONS

HOBS

VENTILATION



REFRIGERATION

DISHWASHING

LAUNDRY





Induction Hobs

80CM

| T58FHW1L0 N70 | T58PHW1L0 N70 |
|--|--|
| <ul style="list-style-type: none"> • Twist Touch® Control • CombiZone - 5 zones • Hob Hood Control • Smart Hood automatic • Bevel Front  | <ul style="list-style-type: none"> • Twist Touch® Control • CombiZone - 5 zones • Hob Hood Control • Smart Hood automatic • Flushline  |

| KEY FEATURES | | T58FHW1L0 N70 | T58PHW1L0 N70 |
|---|---------|---------------------------|---------------------------|
| HomeConnect | | • | • |
| Hob-Hood Control | | • | • |
| 5" Full Touch colour display | | | |
| Favourite Button | | • | • |
| Smart Hood Automatic | | • | • |
| Power Move / Power Boost / Power Transfer | | / • / | / • / |
| Pan Boost | | | |
| Number of Combi Zones | | 1 | 1 |
| FEATURES | | T58FHW1L0 N70 | T58PHW1L0 N70 |
| Number of individual zones | | 5 | 5 |
| Power levels | | 17 | 17 |
| Digital display / Adaptable Volume | | • / • | • / • |
| QuickStart | | • | • |
| Restart Function | | • | • |
| Main on/off switch | | • | • |
| Quick-Off Function / Pause Function | | / • | / • |
| Pan Recognition | | • | • |
| Demo Mode | | • | • |
| Keep Warm Function | | Via HC / Favourite Button | Via HC / Favourite Button |
| SAFETY FEATURES | | T58FHW1L0 N70 | T58PHW1L0 N70 |
| Residual Heat Indicator | | • | • |
| Timer with automatic switch off for each zone | | • | • |
| Control Panel Lock | | • | • |
| Safety Time Switch off | | • | • |
| PERFORMANCE / TECHNICAL INFORMATION | | T58FHW1L0 N70 | T58PHW1L0 N70 |
| Nominal voltage | V | 220-240 | 220-240 |
| Maximum power output | W | 7,400 | 7,400 |
| Electrical cable length | cm | 110 | 110 |
| Plug&Play with GB plug | | | |
| Rear left Flex Induction zone - power | kW/mm | | |
| Rear left zone - power | kW/mm | 1.60 | 1.60 |
| Rear right Flex Induction zone - power | kW/mm | | |
| Rear right zone - power | kW/mm | 2.50 | 2.50 |
| Rear Centre zone - power | kW/mm | 2.50 | 2.50 |
| Front Centre zone - power | kW/mm | | |
| Front left Flex Induction zone - power | kW/mm | | |
| Front left zone - power | kW/mm | 2.00 | 2.00 |
| Front right Flex Induction zone - power | kW/mm | | |
| Front right zone - power | kW/mm | 2.50 | 2.50 |
| Flex Induction Zone left - power | kW/mm | | |
| Flex Induction Zone right - power | kW/mm | | |
| Extended Flex Induction rear left - power | kW/mm | | |
| Extended Flex Induction rear right - power | kW/mm | | |
| Combi Zone left - power | kW/mm | | |
| Combi Zone right - power | kW/mm | 3.30 | 3.30 |
| Rear left zone - with Power Boost | max. kW | 2.20 | 2.20 |
| Rear right zone - with Power Boost | max. kW | 3.70 | 3.70 |
| Rear Centre zone - with Power Boost | max. kW | 3.70 | 3.70 |
| Front Centre zone - with Power Boost | max. kW | | |
| Front left zone - with Power Boost | max. kW | 3.10 | 3.10 |
| Front right zone - with Power Boost | max. kW | 3.70 | 3.70 |

60CM

| T56FHS1L0 N70 | T36FBE1L0 N30 | T36FBE1L0G N30 | T36CA50X1U N30 |
|--|--|--|---|
| <ul style="list-style-type: none"> • Twist Touch® Control • CombiZone - 4 zones • Hob Hood Control • Smart Hood automatic • Bevel Front  | <ul style="list-style-type: none"> • Touch Control • 4 zones <ul style="list-style-type: none"> • Bevel Front  | <ul style="list-style-type: none"> • Touch Control • 4 zones • Plug & Play with GB plug <ul style="list-style-type: none"> • Bevel Front  | <ul style="list-style-type: none"> • Touch Control • 4 zones / 1 boost zone • Plug & Play with GB plug <ul style="list-style-type: none"> • Frameless  |

| KEY FEATURES | | T56FHS1L0 N70 | T36FBE1L0 N30 | T36FBE1L0G N30 | T36CA50X1U N30 |
|---|---------|---------------------------|-----------------|------------------|--------------------|
| HomeConnect | | • | | | |
| Hob-Hood Control | | • | | | |
| 5" Full Touch colour display | | | | | |
| Favourite Button | | • | | | |
| Smart Hood Automatic | | • | | | |
| Power Move / Power Boost / Power Transfer | | / • / | / • / | / • / | / Rear left only / |
| Pan Boost | | | | | |
| Number of Combi Zones | | 1 | | | |
| FEATURES | | T56FHS1L0 N70 | T36FBE1L0 N30 | T36FBE1L0G N30 | T36CA50X1U N30 |
| Number of individual zones | | 4 | 4 | 4 | 4 |
| Power levels | | 17 | 17 | 17 | 9 |
| Digital display / Adaptable Volume | | • / • | • / | • / | • / |
| QuickStart | | • | • | • | • |
| Restart Function | | • | • | • | • |
| Main on/off switch | | • | • | • | • |
| Quick-Off Function / Pause Function | | / • | • / • | • / • | • / • |
| Pan Recognition | | • | • | • | • |
| Demo Mode | | • | | | |
| Keep Warm Function | | Via HC / Favourite Button | | | |
| SAFETY FEATURES | | T56FHS1L0 N70 | T36FBE1L0 N30 | T36FBE1L0G N30 | T36CA50X1U N30 |
| Residual Heat Indicator | | • | • | • | • |
| Timer with automatic switch off for each zone | | • | • | • | • |
| Control Panel Lock | | • | • | • | • |
| Safety Time Switch off | | • | • | • | • |
| PERFORMANCE / TECHNICAL INFORMATION | | T56FHS1L0 N70 | T36FBE1L0 N30 | T36FBE1L0G N30 | T36CA50X1U N30 |
| Nominal voltage | V | 220-240 | 220-240 | 220-240 | 220-240 |
| Maximum power output | W | 6,900 | 4,600 | 3,700 | 3,700 |
| Electrical cable length | cm | 110 | 110 | 110 | 110 |
| Plug&Play with GB plug | | | | • | • |
| Rear left Flex Induction zone - power | kW/mm | | | | |
| Rear left zone - power | kW/mm | 2.50 | 1.80 | 1.80 | 1.80 |
| Rear right Flex Induction zone - power | kW/mm | | | | |
| Rear right zone - power | kW/mm | 1.60 | 1.40 | 1.40 | 1.40 |
| Rear Centre zone - power | kW/mm | | | | |
| Front Centre zone - power | kW/mm | | | | |
| Front left Flex Induction zone - power | kW/mm | | | | |
| Front left zone - power | kW/mm | 2.50 | 1.80 | 1.80 | 1.40 |
| Front right Flex Induction zone - power | kW/mm | | | | |
| Front right zone - power | kW/mm | 2.00 | 2.20 | 2.20 | 1.80 |
| Flex Induction Zone left - power | kW/mm | | | | |
| Flex Induction Zone right - power | kW/mm | | | | |
| Extended Flex Induction rear left - power | kW/mm | | | | |
| Extended Flex Induction rear right - power | kW/mm | | | | |
| Combi Zone left - power | kW/mm | | | | |
| Combi Zone right - power | kW/mm | 3.60 | | | |
| Rear left zone - with Power Boost | max. kW | 3.70 | 3.10 | 3.00 | 3.10 |
| Rear right zone - with Power Boost | max. kW | 2.20 | 2.20 | 2.20 | |
| Rear Centre zone - with Power Boost | max. kW | | | | |
| Front Centre zone - with Power Boost | max. kW | | | | |
| Front left zone - with Power Boost | max. kW | 3.70 | 3.10 | 3.00 | |
| Front right zone - with Power Boost | max. kW | 3.10 | 3.70 | 3.00 | |

THE NEFF OVEN COLLECTIONS

HOBES

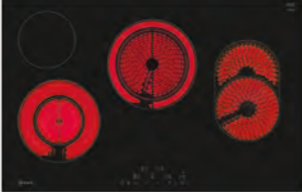
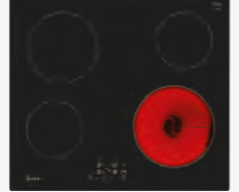

VENTILATION

REFRIGERATION

DISHWASHING

LAUNDRY

Ceramic Hobs

| | 80CM | 60CM | |
|--|----------------|--|---|
| | T18FDH9L N70 | T16NBE1L N50 | T16NKE0L N30 |
| • Touch Control • 4 zones • Dual & Extendable Zones • Boost Function • Bevel Front | | • Touch Control • 4 zones | • Side Control dials • 4 zones |
| | | • Frameless | • Frameless |
|  | |  |  |

| FEATURES | | | | |
|---|---------|--------------------|---------|---------|
| Number of individual zones | | 4 | 4 | 4 |
| No. of dual zones | | 2 | | |
| No. of extendable zones | | 1 | | |
| Power Boost | | Centre; Front Left | | |
| Power levels | | 17 | 17 | 9 |
| Digital display | | • | • | |
| Restart function | | • | • | |
| Energy consumption display | | • | | |
| Main on/off switch | | • | • | |
| Keep warm function | | • | | |
| SAFETY FEATURES | | | | |
| Residual heat indicator | | • | • | • |
| Timer with automatic switch off for each zone | | • | • | |
| Control panel lock | | • | • | |
| Safety time switch off | | • | • | |
| Wipe protection function | | • | | |
| PERFORMANCE/TECHNICAL INFORMATION | | | | |
| Nominal voltage | V | 220-240 | | 220-240 |
| Maximum power output | W | 9,300 | | 6,600 |
| Electrical cable length | cm | 110 | | 110 |
| Plug&Play with GB plug | | | | |
| Rear left zone | kW/mm | 1.20 | 145 | 2.20 |
| Rear right zone | kW/mm | | | 2.20 |
| Rear centre zone | kW/mm | 1.70-2.40 | 180-230 | 1.20 |
| Front centre zone | kW/mm | | | 145 |
| Front left zone | kW/mm | 0.80-2.10 | 120-210 | 2.00 |
| Front right zone | kW/mm | 1.80-2.60 | 170-265 | 2.00 |
| Rear left zone – with Power Boost | max. kW | | | |
| Rear right zone – with Power Boost | max. kW | | | |
| Rear centre zone – with Power Boost | max. kW | 3.40 | | |
| Front centre zone – with Power Boost | max. kW | | | |
| Front left zone – with Power Boost | max. kW | | | |
| Front right zone – with Power Boost | max. kW | 2.60 | | |

Induction Cookware Accessories Range

Excellent accessories that perform as well as your hob does.

This range of Induction Cookware Accessories are designed to perfectly fit Flex Induction and Induction hobs. The rectangular shapes perfectly fit into the flex zones. The large flex pans fits perfectly in the rails of our oven.

All accessories are oven-proof up to 220°C with a non-stick coating that cooks your food perfectly while also being easy to clean.*

The pans are designed to be easily stacked to maximise your storage space.



* not suitable for dishwasher cleaning.



Double Flex Pans Set (4 Pans)

Includes:

- Flex Pan Large
- Flex Pan Medium
- 2x Flex Pan small with lid.

Z9404FF0



Single Flex Pans Set (3 Pans)

Includes:

- Flex Pan Medium
- 2x Flex Pan small with lid.

Z9403FF0



Large Pan

Very large frying surface for cooking big portions like for meat fish and more.

Z9401FF0



Teppan Yaki

- Oven proof up to 220C.
- Excellent non-stick properties
- Even heat distribution
- Easy to clean

Z9401TY0

Flex Induction Hobs

90CM
T50FS41X0

* Minimum distance from the hob cut-out to the wall
 ** Recessed depth
 *** With fitted oven underneath min. 30, possibly more; see space requirements for the oven

① Ventilation gap must be present

90CM
T59FT50X0

* Minimum distance from the hob cut-out to the wall
 ** Recessed depth
 *** With fitted oven underneath min. 30, possibly more; see space requirements for the oven

① Ventilation gap must be present

80CM
T58FT20X0, T58FD20X0

* Minimum distance from the hob cut-out to the wall
 ** Recessed depth
 *** With fitted oven underneath min. 30, possibly more; see space requirements for the oven

① Ventilation gap must be present

60CM
T56FT60X0, T56FD50X0

* Minimum distance from the hob cut-out to the wall
 ** Recessed depth
 *** With fitted oven underneath min. 30, possibly more; see space requirements for the oven

① Ventilation gap must be present

60CM
T36FBE1L0, T66FH4L0

① Ventilation gap must be present

② Ventilation gap must be present

All measurements in mm

| D | E | F |
|---------|------|------|
| 585-600 | 50 | ≥ 35 |
| > 600 | ≥ 50 | ≥ 50 |

Induction & Ceramic Hobs

ALL INDUCTION HOBS USE ONE OF THESE LINE DRAWINGS

80CM & 60CM
T48FD23X2, T46FD53X2, T36FB40X0, T36FB41X0G

① Ventilation gap must be present.

80CM & 60CM
T48PD23X2, T46PD53X2

① Ventilation gap must be present.

ALL INDUCTION HOBS USE THESE LINE DRAWINGS

80CM & 60CM
T48PD23X2, T46PD53X2, T48FD23X2, T46FD53X2, T36FB40X0, T36FB41X0G

① Ventilation gap must be present

80CM
T48PD23X2

* Minimum distance from the hob cut-out to the wall
 ** Recessed depth
 *** With fitted oven underneath min. 30, possibly more; see space requirements for the oven

60CM
T36CA50X1U

① Ventilation gap must be present

All measurements in mm

| D | E | F |
|---------|------|------|
| 585-600 | 50 | ≥ 35 |
| > 600 | ≥ 50 | ≥ 50 |

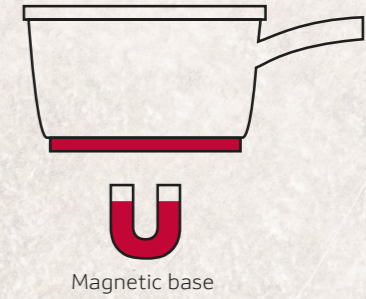
Flex Induction Accessories

Spanning the length of your Flex Induction zone, our accessories are designed to inspire you in the kitchen. From everyday cooking to theatrical displays, there's an accessory to bring out the best in your favourite dishes.

| Product | Description | Material | Code | Part Number |
|---|--|-----------------|---------|-------------|
| <p>Griddle Plate</p>  | <p>Surface Area 41.5 x 26.5cm</p> <p>Ideal for cooking steaks, fish, flatbreads and sliced vegetables, an induction griddle plate offers considerably more flexibility than a standard square griddle pan. All accessories within our induction range are easy to clean and dishwasher safe.</p> | Cast Iron | Z9416X2 | 17000339 |
| <p>Oval Roaster</p>  | <p>With our roaster and steam accessory, it's possible to steam on a NEFF induction hob too. Ideal for preparing delicate fish and vegetables, steam cooking is a great way to prepare healthy, nutritious dishes. Oven and dishwasher safe.</p> | Stainless steel | Z9410X1 | 00573879 |
| <p>Steam Rack for use with Oval Roaster</p>  | | Stainless steel | Z9415X1 | 00576118 |

Saucepans

Ferrous metal saucepans are required for use on an induction hob. To check if a saucepan can be used with an induction hob use our quick magnetic test. Also, if a saucepan made of unsuitable material is placed on the selected hotplate, the power level displayed on the hotplate indicator will flash. NEFF saucepans have been tried and tested to ensure that they offer optimum performance with NEFF hobs.

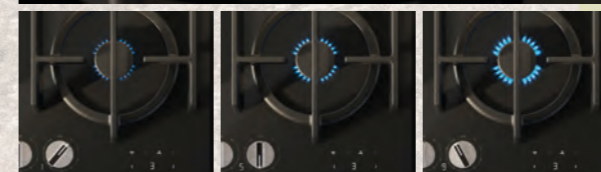


| Product | Description | Material | Code | Part Number |
|---|---|-----------------|----------|-------------|
| <p>3 Piece Pan Set</p>  | 2 x pots, 1 x Pan | Stainless steel | Z943SE0 | 17004098 |
| <p>4 Piece Pan Set</p>  | 1 x Saute pan, 2 x Pots with lids, 1 x milk pan | Stainless steel | Z9404SE0 | 17005721 |
| <p>6 Piece Pan Set</p>  | 2 x Saute pan, 3 x Pots with lids, 1 x milk pan | Stainless steel | Z9406SE0 | 17005724 |
| <p>18.5 cm Non Stick Frying Pan</p>  | | Cast Iron | Z9428FE0 | 17005718 |

Cook wild. CLEAN EASY.

Master every meal with the new NEFF Gas Hob range. Cook as passionately as you like without worrying about the clean-up afterwards.

Take your cooking to the next level with our gas hobs. Our Flame Select® technology gives you nine precise heat control levels. One advantage is that it prevents uncontrolled boiling or splashing, which makes cleaning up after cooking easier. And if your cooking does get a bit wild, don't worry. Our Comfort Clean features simplify the cleaning process with removable dials and pan supports suitable for the dishwasher. Savour the moments that matter and enjoy traditional cooking with a flame thanks to the ease of modern technology.



COMFORT CLEAN

Simplifies your cleaning process.

With the NEFF gas hobs, cleaning becomes much easier. The **removable Metallic Dials** and **dishwasher-safe Pan Supports** are designed for easy cleaning and maintenance. This way, you cook as passionately as you want without worrying about the clean-up afterwards.

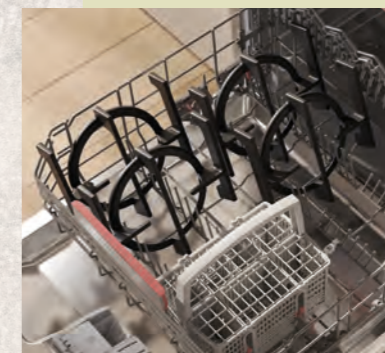
Illuminated* Metallic Sword Dials

Our Illuminated Metallic Sword Dials are crafted from robust metal. Not only do they offer precision control over 9 power levels, but they also light up when the burner is on, making your cooking experience effortless. And the cherry on top? They're removable for easy cleaning. So, get ready to cook your culinary highlights without any clean-up worries!

FLAME SELECT®

Nine flames, infinite possibilities.

The Flame Select® technology regulates the gas output precisely. And because the amount of gas in each of the 9 levels is defined, you'll get the same cooking results over and over again. Another benefit of this precise steering is that it prevents uncontrolled boiling or splashing, which makes cleaning after cooking much easier.



Cast Iron Pan Supports

Don't worry about wobbly cookware. Our Cast Iron Pan Supports are built to steady your cookware while you focus on creating culinary masterpieces. Simply pop them in the dishwasher when you're done. Just pure cooking joy.



Introducing the first gas hob with WI-FI CONNECTIVITY

Our new gas hob is the first in the NEFF lineup to feature Wi-Fi connectivity, allowing for seamless pairing with our smart hoods.

HOB-HOOD CONTROL*

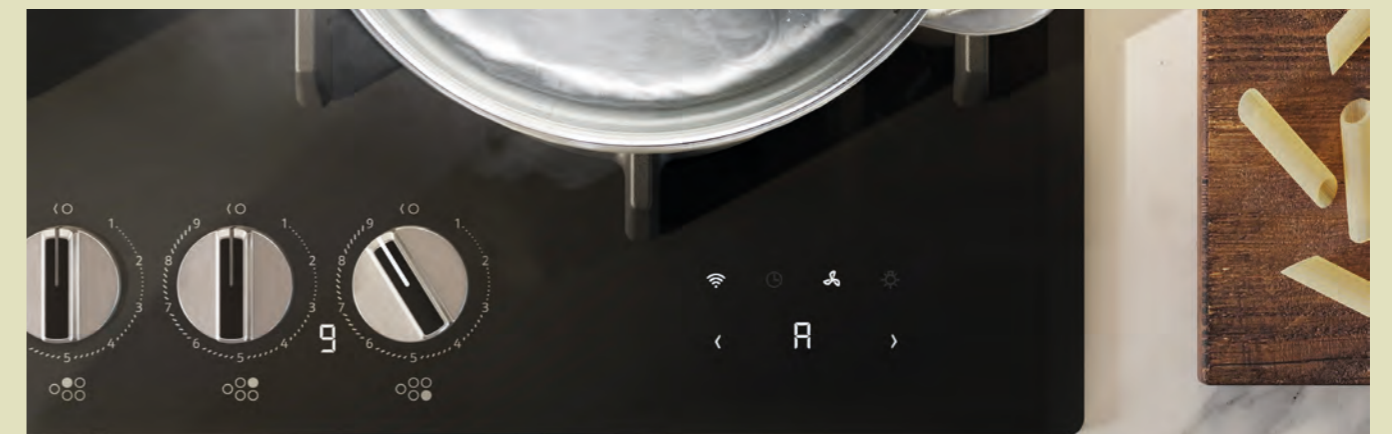
More creativity, less complexity.

The NEFF hood that automatically adjusts its fan speed based on the output of the compatible hob, ensuring optimal ventilation without manual adjustments.

TOUCH CONTROL DISPLAY*

Effortless precision at your fingertips.

The Touch Control Display offers a sleek, intuitive way to manage your cooking settings. With just a simple touch, you can set a timer or adjust the light and power level of your matching hood, making your cooking process smooth and enjoyable.



RESIDUAL HEAT INDICATOR*

Safety first, always.

Each burner's Residual Heat Indicator alerts you when the hob is still hot after use, helping to prevent accidental burns. This simple yet essential feature ensures that your cooking experience is as safe as it is fun.

GAS SAFETY CUT-OFF

Ease of mind all the time.

With the Gas Safety Cut-Off, your hob automatically shuts off the gas supply if the flame is accidentally extinguished, e.g. by some draft. This crucial safety feature gives you peace of mind, allowing you to focus on your culinary creations without worry.

TEMPERED GLASS SURFACE

Durability meets safety.

Safety Glass provides a robust and heat-resistant surface that enhances the look and durability of your hob. Designed to withstand the rigors of everyday cooking, ensuring your kitchen remains safe and stylish.

MONITORING ON/OFF STATUS VIA THE NEFF HOME CONNECT APP

Stay connected.

Take control of your cooking experience with the NEFF Home Connect App. Whether in another room or on the go, you can monitor your hob's settings from your smartphone, ensuring your kitchen is always under control.

ILLUMINATED METALLIC SWORD DIALS & DISPLAY*

Elegant 24/7

Enhance your cooking experience with Illuminated Metallic Sword Dials, which not only provide a luxurious feel but also ensure precise control – even in low light. Paired with the Display, you can easily monitor your settings at a glance, making cooking both stylish and intuitive.



Guide To Gas Hobs

Gas Hobs

AVAILABLE IN 90CM, 75CM AND 60CM SIZES.



Featured model: T27PIQ4S0 N70 75cm Gas Hob

Gas Hobs Finishes



Black Tempered Glass / Black Cast Iron Supports



Black Enamel Surface / Black Cast Iron Finish Supports



Stainless Steel / Black Cast Iron Supports



Stainless Steel / Black Cast Iron Finish Supports

Gas Features



FLAME SELECT®

Cook everything just right with 9-level Flame Select®. With Flame Select® the gas flame adapts to your cooking, offering precise control every time. For the first time ever, cooking with gas is as easy as cooking on an electric hob.

POWER LEVEL DISPLAY

Some gas hobs benefit from a host of features that are usually found on ceramic hobs, including an LED display. The residual heat indicator displays if there is any residual heat on the hob. In the event of a problem with the individual burner the indicator lights also act as warning lights.

HIGH SPEED BURNERS

Provide a surge of extra power; particularly useful for boiling a large pan of water quickly.



WOK BURNER

The secret of Chinese stir fry cooking is heat and speed. Our Domino wok (N23TS19N0) delivers 6.0kW.

FLAME CONTROL

The flame failure safety device shuts down the supply of gas to the hob if the flame goes out for any reason. The automatic reignition uses a heat sensor to detect if the flame goes out and, if so, will automatically attempt to reignite.

CAST IRON PAN SUPPORTS

Firmly hold the pan above the flame, leaving space between the base and the burner. They're used on the majority of our models because of their robust and sturdy nature and tolerance to prolonged contact with heat.

EASY GRIP CONTROLS

Ergonomically designed to be gripped and turned easily, even with wet or greasy hands.

SIMMER SETTING


Excellent for slow simmering, almost all of our gas hobs have a very low burner with a maximum of just 1.0kWh.

Gas Hobs


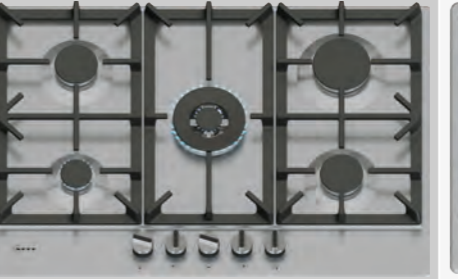

| | 90CM | |
|--|---|---|
| | T29RHS4S0 N90 | T29CIR8N0 N70 |
| | <ul style="list-style-type: none"> • Touch Control • Black/Stainless steel Top Trim • 5 burner • 5.0kW Wok Burner • Hob Hood Control • Smart Hood Automatic • Dishwasher Proof cast iron supports • Flag layout • Flame Select® • Easy Clean • Biomethane Ready • Residual Heat Indicator | <ul style="list-style-type: none"> • Stainless Steel • 5 burner • 5.0kW Wok Burner • Cast iron supports • Star layout • Flame Select® • Easy Clean • Biomethane Ready |
| | | |
| Control position | Front | Front |
| Dial Type | Illuminated metallic detachable | Detachable metallic |
| Control Type | Touch Control (7-segment display) | |
| Hob surface type | Tempered glass | Metal |
| KEY FEATURES | | |
| Flame Select® | • | • |
| Digital power level display | • | |
| Number of dual circuit wok style burners | 1 | 1 |
| High power (5.0kW+) wok burner | • | • |
| Dual control wok burner | • | • |
| Home Connect | • | |
| Hob-Hood Control | • | |
| Smart Hood Automatic | • | |
| Count-down Timer | • | |
| FEATURES | | |
| Number of cooking zones | 5 | 5 |
| Individual power levels | 9 | 9 |
| Variable power levels | | |
| Ignition via control dials | • | • |
| Flame failure safety device | • | • |
| Cast iron pan supports (number) | 5 | 3 |
| Cast iron finish pan supports (number) | | |
| Pan Supports Dishwasher safe | • | • |
| PERFORMANCE / TECHNICAL INFORMATION | | |
| Nominal voltage | V 220-240 | 220-240 |
| Maximum gas power output load | W 13700 | 12500 |
| Total connected electrical load | max. W 2.0 | 1.1 |
| Cable length | cm 100 | 150 |
| GB plug | | |
| Left burner power | kW 5.00 | |
| Front left burner power | kW | 1.00 |
| Back left burner power | kW | 1.75 |
| Centre/Centre front burner power | kW 1.75 | 5.00 |
| Centre back burner power | kW 7.75 | |
| Front right burner power | kW 1.00 | 1.75 |
| Back right burner power | kW 3.00 | 3.00 |
| Right burner power | kW | |
| Pre-set for natural gas | • | • |
| CE Marked | • | • |
| STANDARD ACCESSORY | | |
| LPG jets | mbar 28-30 / 37 | 28-30 / 37 |
| OPTIONAL ACCESSORY | | |
| Wireless Meatprobe | Z1365WX0 | Z1365WX0 |

Gas Hobs

75CM

| | T27PIQ4S0 N70 | T27CIQ8S0 N70 |
|--|--|--|
| | <ul style="list-style-type: none"> • Black Tempered Glass • 5 burner • 4.0kW Wok Burner • Cast iron supports • Star layout • Flame Select® • Easy Clean • Biomethane Ready  | <ul style="list-style-type: none"> • Black • 5 burner • 4.0kW Wok Burner • Cast iron supports • Star layout • Flame Select® • Easy Clean • Biomethane Ready  |
| Control position | Front | Front |
| Dial Type | Detachable metallic | Detachable metallic |
| Hob surface type | Tempered glass | Black Enamel |
| KEY FEATURES | | |
| Flame Select® | • | • |
| Digital power level display | | |
| Number of dual circuit wok style burners | 1 | 1 |
| High power (5.0kW+) wok burner | | |
| Dual control wok burner | • | • |
| FEATURES | | |
| Number of cooking zones | 5 | 5 |
| Individual power levels | 9 | 9 |
| Variable power levels | | |
| Ignition via control dials | • | • |
| Flame failure safety device | • | • |
| Cast iron pan supports (number) | 5 | 3 |
| Cast iron finish pan supports (number) | | |
| Pan Supports Dishwasher safe | • | • |
| PERFORMANCE / TECHNICAL INFORMATION | | |
| Nominal voltage | V 220-240 | V 220-240 |
| Maximum gas power output load | W 11,500 | W 11,500 |
| Total connected electrical load | max. W 1.10 | max. W 1.10 |
| Cable length | cm 100 | cm 100 |
| Plug&Play with GB plug | | |
| Left burner power | kW | kW |
| Front left burner power | 1.00 | 1.00 |
| Back left burner power | 1.75 | 1.75 |
| Centre/Centre front burner power | 4.00 | 4.00 |
| Centre back burner power | kW | kW |
| Front right burner power | 1.75 | 1.75 |
| Back right burner power | 3.00 | 3.00 |
| Right burner power | kW | kW |
| Pre-set for natural gas | • | • |
| CE Marked | • | • |
| STANDARD ACCESSORY | | |
| LPG jets | mbar 28-30 / 37 | mbar 28-30 / 37 |
| OPTIONAL ACCESSORY | | |
| Wireless Meatprobe | Z1365WX0 | Z1365WX0 |

75CM

| | T27CIS8N0 N70 | T27CIQ8N0 N70 | T27GKQ8N0 N50 |
|--|---|---|---|
| | <ul style="list-style-type: none"> • Stainless Steel • 5 burner • 5.0kW Wok Burner • Cast iron supports • Flag layout • Flame Select® • Easy Clean • Biomethane Ready  | <ul style="list-style-type: none"> • Stainless Steel • 5 burner • 4.0kW Wok Burner • Cast iron supports • Star layout • Flame Select® • Easy Clean • Biomethane Ready  | <ul style="list-style-type: none"> • Stainless Steel • 5 burner • 3.3kW Wok Burner • Cast iron supports • Easy Clean • Biomethane Ready  |
| Control position | Front | Front | Front |
| Dial Type | Detachable metallic | Detachable metallic | Plastic |
| Hob surface type | Metal | Metal | Metal |
| KEY FEATURES | | | |
| Flame Select® | • | • | |
| Digital power level display | | | |
| Number of dual circuit wok style burners | 1 | 1 | 1 |
| High power (5.0kW+) wok burner | • | • | |
| Dual control wok burner | • | • | |
| FEATURES | | | |
| Number of cooking zones | 5 | 5 | 5 |
| Individual power levels | 9 | 9 | |
| Variable power levels | | | • |
| Ignition via control dials | • | • | • |
| Flame failure safety device | • | • | • |
| Cast iron pan supports (number) | 3 | 3 | 3 |
| Cast iron finish pan supports (number) | | | |
| Pan Supports Dishwasher safe | • | • | • |
| PERFORMANCE / TECHNICAL INFORMATION | | | |
| Nominal voltage | V 220-240 | V 220-240 | V 220-240 |
| Maximum gas power output load | W 12,500 | W 11,500 | W 10,800 |
| Total connected electrical load | max. W 1.10 | max. W 1.10 | max. W 1.10 |
| Cable length | cm 100 | cm 100 | cm 100 |
| Plug&Play with GB plug | | | |
| Left burner power | kW 5.00 | kW | kW |
| Front left burner power | | 1.00 | 1.00 |
| Back left burner power | | 1.75 | 1.75 |
| Centre/Centre front burner power | 1.00 | 4.00 | 3.30 |
| Centre back burner power | 1.75 | kW | kW |
| Front right burner power | 1.75 | 1.75 | 1.75 |
| Back right burner power | 3.00 | 3.00 | 3.00 |
| Right burner power | kW | kW | kW |
| Pre-set for natural gas | • | • | • |
| CE Marked | • | • | • |
| STANDARD ACCESSORY | | | |
| LPG jets | mbar 28-30 / 37 | mbar 28-30 / 37 | mbar 28-30 / 37 |
| OPTIONAL ACCESSORY | | | |
| Wireless Meatprobe | Z1365WX0 | Z1365WX0 | Z1365WX0 |

THE NEFF OVEN COLLECTIONS

HOBS

VENTILATION

REFRIGERATION

DISHWASHING

LAUNDRY

Gas Hobs


| | 60CM | |
|--|---|---|
| | T26PIP4S0 N70 | T26CIH8N0 N70 |
| | <ul style="list-style-type: none"> • Black Tempered Glass • 4 burner • Cast iron supports • Flame Select® • Easy Clean • Biomethane Ready  | <ul style="list-style-type: none"> • Stainless Steel • 4 burner • 3.5kW Wok Burner • Cast iron supports • Flame Select® • Easy Clean • Biomethane Ready  |
| Control position | Front | Front |
| Dial Type | Detachable metallic | Detachable metallic |
| Hob surface type | Tempered glass | Metal |
| KEY FEATURES | | |
| Flame Select® | • | • |
| Digital power level display | | |
| Number of dual circuit wok style burners | | 1 |
| High power (5.0kW+) wok burner | | |
| Dual control wok burner | | • |
| FEATURES | | |
| Number of cooking zones | 4 | 4 |
| Individual power levels | 9 | 9 |
| Variable power levels | | |
| Ignition via control dials | • | • |
| Flame failure safety device | • | • |
| Cast iron pan supports (number) | 4 | 2 |
| Cast iron finish pan supports (number) | | |
| Pan Supports Dishwasher safe | • | • |
| PERFORMANCE / TECHNICAL INFORMATION | | |
| Nominal voltage | V 220-240 | 220-240 |
| Maximum gas power output load | W 7,500 | 8,000 |
| Total connected electrical load | max. W 1.10 | 1.10 |
| Cable length | cm 100 | 100 |
| Plug&Play with GB plug | | |
| Left burner power | kW | |
| Front left burner power | kW 1.75 | 1.75 |
| Back left burner power | kW 1.75 | 1.75 |
| Centre/Centre front burner power | kW | |
| Centre back burner power | kW | |
| Front right burner power | kW 1.00 | 1.00 |
| Back right burner power | kW 3.00 | 3.50 |
| Right burner power | kW | |
| Pre-set for natural gas | • | • |
| CE Marked | • | • |
| STANDARD ACCESSORY | | |
| LPG jets | mbar 28-30 / 37 | 28-30 / 37 |
| OPTIONAL ACCESSORY | | |
| Wireless Meatprobe | Z1365WX0 | Z1365WX0 |

| | 60CM | |
|--|--|--|
| | T26CIP8N0 N70 | T26CIP8S0 N70 |
| | <ul style="list-style-type: none"> • Stainless Steel • 4 burner • Cast iron supports • Flame Select® • Easy Clean • Biomethane Ready  | <ul style="list-style-type: none"> • Black • 4 burner • Cast iron supports • Flame Select® • Easy Clean • Biomethane Ready  |
| Control position | Front | Front |
| Dial Type | Detachable metallic | Detachable metallic |
| Hob surface type | Metal | Black Enamel |
| KEY FEATURES | | |
| Flame Select® | • | • |
| Digital power level display | | |
| Number of dual circuit wok style burners | | |
| High power (5.0kW+) wok burner | | |
| Dual control wok burner | | |
| FEATURES | | |
| Number of cooking zones | 4 | 4 |
| Individual power levels | 9 | 9 |
| Variable power levels | | |
| Ignition via control dials | • | • |
| Flame failure safety device | • | • |
| Cast iron pan supports (number) | 2 | 2 |
| Cast iron finish pan supports (number) | | |
| Pan Supports Dishwasher safe | • | • |
| PERFORMANCE / TECHNICAL INFORMATION | | |
| Nominal voltage | V 220-240 | 220-240 |
| Maximum gas power output load | W 7,500 | 7,500 |
| Total connected electrical load | max. W 1.10 | 1.10 |
| Cable length | cm 100 | 100 |
| Plug&Play with GB plug | | |
| Left burner power | kW | |
| Front left burner power | kW 1.75 | 1.75 |
| Back left burner power | kW 1.75 | 1.75 |
| Centre/Centre front burner power | kW | |
| Centre back burner power | kW | |
| Front right burner power | kW 1.00 | 1.00 |
| Back right burner power | kW 3.00 | 3.00 |
| Right burner power | kW | |
| Pre-set for natural gas | • | • |
| CE Marked | • | • |
| STANDARD ACCESSORY | | |
| LPG jets | mbar 28-30 / 37 | 28-30 / 37 |
| OPTIONAL ACCESSORY | | |
| Wireless Meatprobe | Z1365WX0 | Z1365WX0 |

All models comply with COMMISSION REGULATION (EC) No 1275/2008 with regard to ecodesign requirements for standby and off mode electric power consumption. 14.6kW power output (20A); Current management options for 16A, 13A or 10A connection. *MasterPartner® and AAR product only.

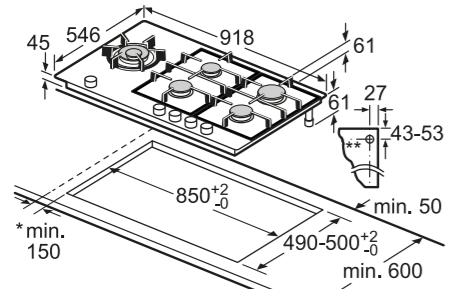
Gas Hobs

| | 60CM | |
|--|---|--|
| | T26GKH8N0 N50 | T26NKP4S0 N50 |
| | <ul style="list-style-type: none"> Stainless Steel 4 burner 3.3kW Wok Burner Cast iron supports | <ul style="list-style-type: none"> Black Tempered Glass 4 burner |
| | <ul style="list-style-type: none"> Easy Clean Biomethane Ready | <ul style="list-style-type: none"> Cast iron supports Easy Clean Biomethane Ready |
| |  |  |
| Control position | Front | Front |
| Dial Type | Plastic | Plastic |
| Hob surface type | Metal | Tempered glass |
| KEY FEATURES | | |
| Flame Select® | | |
| Digital power level display | | |
| Number of dual circuit wok style burners | 1 | |
| High power (5.0kW+) wok burner | | |
| Dual control wok burner | • | |
| FEATURES | | |
| Number of cooking zones | 4 | 4 |
| Individual power levels | | |
| Variable power levels | • | • |
| Ignition via control dials | • | • |
| Flame failure safety device | • | • |
| Cast iron pan supports (number) | 2 | 4 |
| Cast iron finish pan supports (number) | | |
| Pan Supports Dishwasher safe | • | • |
| PERFORMANCE / TECHNICAL INFORMATION | | |
| Nominal voltage | V | 220-240 |
| Maximum gas power output load | W | 7,800 |
| Total connected electrical load | max. W | 1.10 |
| Cable length | cm | 100 |
| Plug&Play with GB plug | | |
| Left burner power | kW | |
| Front left burner power | kW | 1.75 |
| Back left burner power | kW | 1.75 |
| Centre/Centre front burner power | kW | |
| Centre back burner power | kW | |
| Front right burner power | kW | 1.00 |
| Back right burner power | kW | 3.30 |
| Right burner power | kW | |
| Pre-set for natural gas | | • |
| CE Marked | | • |
| STANDARD ACCESSORY | | |
| LPG jets | mbar | 28-30 / 37 |
| OPTIONAL ACCESSORY | | |
| Wireless Meatprobe | | Z1365WX0 |

| | 60CM | |
|--|---|---|
| | T26BKP6N0 N30 | T26BKP6S0 N30 |
| | <ul style="list-style-type: none"> Stainless steel 4 burner | <ul style="list-style-type: none"> Black 4 burner |
| | <ul style="list-style-type: none"> Cast Iron Finish Side controls Easy Clean Biomethane Ready | <ul style="list-style-type: none"> Cast Iron Finish Side controls Easy Clean Biomethane Ready |
| |  |  |
| | Right Side | Right Side |
| | Plastic | Plastic |
| | Metal | Black Enamel |
| KEY FEATURES | | |
| Flame Select® | | |
| Digital power level display | | |
| Number of dual circuit wok style burners | | |
| High power (5.0kW+) wok burner | | |
| Dual control wok burner | | |
| FEATURES | | |
| Number of cooking zones | 4 | 4 |
| Individual power levels | | |
| Variable power levels | • | • |
| Ignition via control dials | • | • |
| Flame failure safety device | • | • |
| Cast iron pan supports (number) | 2 | 2 |
| Cast iron finish pan supports (number) | | |
| Pan Supports Dishwasher safe | | |
| PERFORMANCE / TECHNICAL INFORMATION | | |
| Nominal voltage | V | 220-240 |
| Maximum gas power output load | W | 7,500 |
| Total connected electrical load | max. W | 1.1 |
| Cable length | cm | 100 |
| Plug&Play with GB plug | | |
| Left burner power | kW | |
| Front left burner power | kW | 3.00 |
| Back left burner power | kW | 1.75 |
| Centre/Centre front burner power | kW | |
| Centre back burner power | kW | |
| Front right burner power | kW | 1.00 |
| Back right burner power | kW | 1.75 |
| Right burner power | kW | |
| Pre-set for natural gas | | • |
| CE Marked | | • |
| STANDARD ACCESSORY | | |
| LPG jets | mbar | 28-30/37mbar |
| OPTIONAL ACCESSORY | | |
| Wireless Meatprobe | | Z1365WX0 |

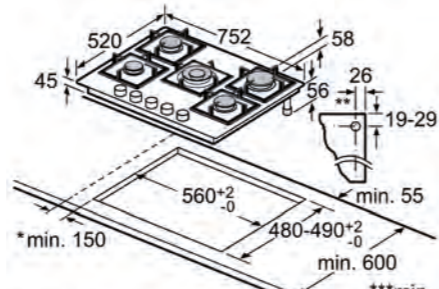
Gas Hobs

90CM
T29TS79N0



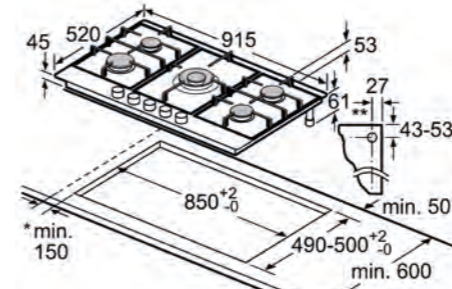
- * Minimum distance from the hob cut-out to the wall
- ** Position of gas connection in the cut-out
- *** With fitted oven underneath, possibly more; see space requirements for the oven

75CM
T27PIQ4S0



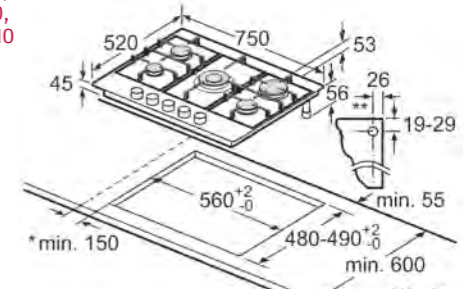
- * Minimum distance from the hob cut-out to the wall
- ** Position of gas connection in the cut-out
- *** With fitted oven underneath, possibly more; see space requirements for the oven

90CM
T29CIR8N0



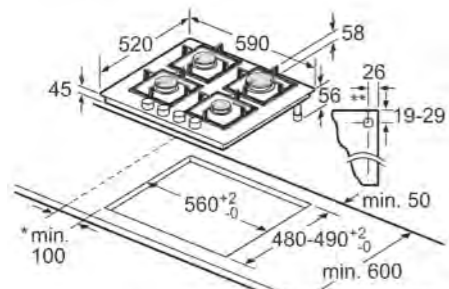
- * Minimum distance from the hob cut-out to the wall
- ** Position of gas connection in the cut-out
- *** With fitted oven underneath, possibly more; see space requirements for the oven

75CM
T27CIQ8N0,
T27CIS8N0,
T27CIQ8S0,
T27GKQ8N0



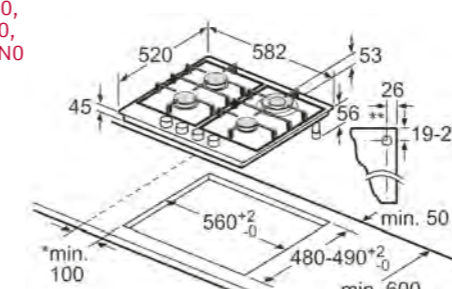
- * Minimum distance from the hob cut-out to the wall
- ** Position of gas connection in the cut-out
- *** With fitted oven underneath, possibly more; see space requirements for the oven

60CM
T26PIP4S0



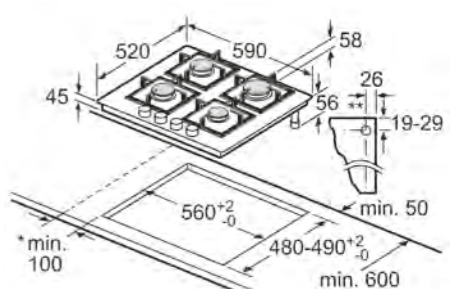
- * Minimum distance from the hob cut-out to the wall
- ** Position of gas connection in the cut-out
- *** With fitted oven underneath, possibly more; see space requirements for the oven

60CM
T26CIH8N0,
T26CIP8N0,
T26CIP8S0,
T26GKH8N0



- * Minimum distance from the hob cut-out to the wall
- ** Position of gas connection in the cut-out
- *** With fitted oven underneath, possibly more; see space requirements for the oven

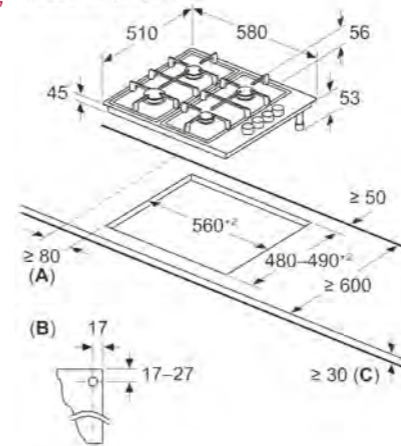
60CM
T26NKP4S0



- * Minimum distance from the hob cut-out to the wall
- ** Position of gas connection in the cut-out
- *** With fitted oven underneath, possibly more; see space requirements for the oven

60CM
T26BKP6N0,
T26BKP6S0

Measurements in mm



- A: Min. distance from the hob cut-out to the wall
- B: Position of gas connection in the cut-out
- C: With fitted oven underneath possibly more; see space requirements for the oven

Electric Hobs

Venting Hobs

| Width | Series | Description | Control Type | Home Connect | Colour | Model Number |
|-------|--------|--|---------------|--------------|----------------------------------|--------------|
| 80cm | N 90 | 2 x Flex + Ventilation, Climate Control Sensor, Extended Frying Sensor | Twist Pad® | ✓ | Black Anthracite Grey Side Trims | V68AUX4C0 |
| 80cm | N 70 | 2 x Combi Zone, Extended Frying Sensor | Twist Touch® | ✓ | Flush Black Glass | V58PHQ4C0 |
| 80cm | N 70 | 2 x Combi Zone, Extended Frying Sensor | Twist Touch® | ✓ | Black Glass | V58NHQ4L0 |
| 80cm | N 50 | 1 x Combi Zone | Touch Control | | Black Glass | V58NBS1L0 |
| 70cm | N 70 | 2 x Combi Zone, Extended Frying Sensor | Twist Touch® | | Black/Stainless steel Side Trims | V57THQ4L0 |
| 60cm | N 50 | 1 x Combi Zone | Touch Control | | Black Glass | V56NBS1L0 |

Flex Induction Hobs

| Width | Series | Description | Control Type | Home Connect | Colour | Model Number |
|-------|--------|---|--------------|--------------|-------------|--------------|
| 90cm | N 90 | 2xFlex + 32cm triple zone, Hob-Hood Control, Smart Hood Automatic | Twist Pad® | ✓ | Black Glass | T69FUV4L0 |
| 90cm | N 70 | 2xFlex + 32cm triple zone, Hob-Hood Control, Smart Hood Automatic, Extended Frying Sensor | Twist Touch® | ✓ | Black Glass | T69FHV4L0 |
| 80cm | N 90 | 1xFlex + 3 zones, Hob-Hood Control, Smart Hood Automatic | Twist Pad® | ✓ | Black Glass | T68FUV4L0 |
| 80cm | N 70 | 1xFlex + 3 zones, Hob-Hood Control, Smart Hood Automatic, Extended Frying Sensor | Twist Touch® | ✓ | Black Glass | T68FHV4L0 |
| 60cm | N 70 | 2xFlex, Hob-Hood Control, Smart Hood Automatic, Extended Frying Sensor | Twist Touch® | ✓ | Black Glass | T66FHX4L0 |
| 60cm | N 70 | 1xFlex + 2 zones, Hob-Hood Control, Smart Hood Automatic, Extended Frying Sensor | Twist Touch® | ✓ | Black Glass | T66FHE4L0 |

Induction Hobs

| Width | Series | Description | Control Type | Home Connect | Colour | Model Number |
|-------|--------|---|---------------|--------------|-------------------|--------------|
| 80cm | N 70 | CombiZone 5 Zones - 17 power levels, Hob-Hood Control | Twist Touch® | ✓ | Flush Black Glass | T58PHW1L0 |
| 80cm | N 70 | CombiZone 5 Zones - 17 power levels, Hob-Hood Control | Twist Touch® | ✓ | Black Glass | T58FHW1L0 |
| 60cm | N 70 | CombiZone 4 Zones - 17 power levels, Hob-Hood Control | Twist Touch® | ✓ | Black Glass | T56FHS1L0 |
| 60cm | N 30 | 4 zones | Touch Control | | Black Glass | T36FBE1L0 |
| 60cm | N 30 | 4 zones, Plug & Play with GB Plug | Touch Control | | Black Glass | T36FBE1LOG |
| 60cm | N 30 | 9 Power levels, 4 zones, Plug & Play with GB Plug | Touch Control | | Black Glass | T36CA50X1U |

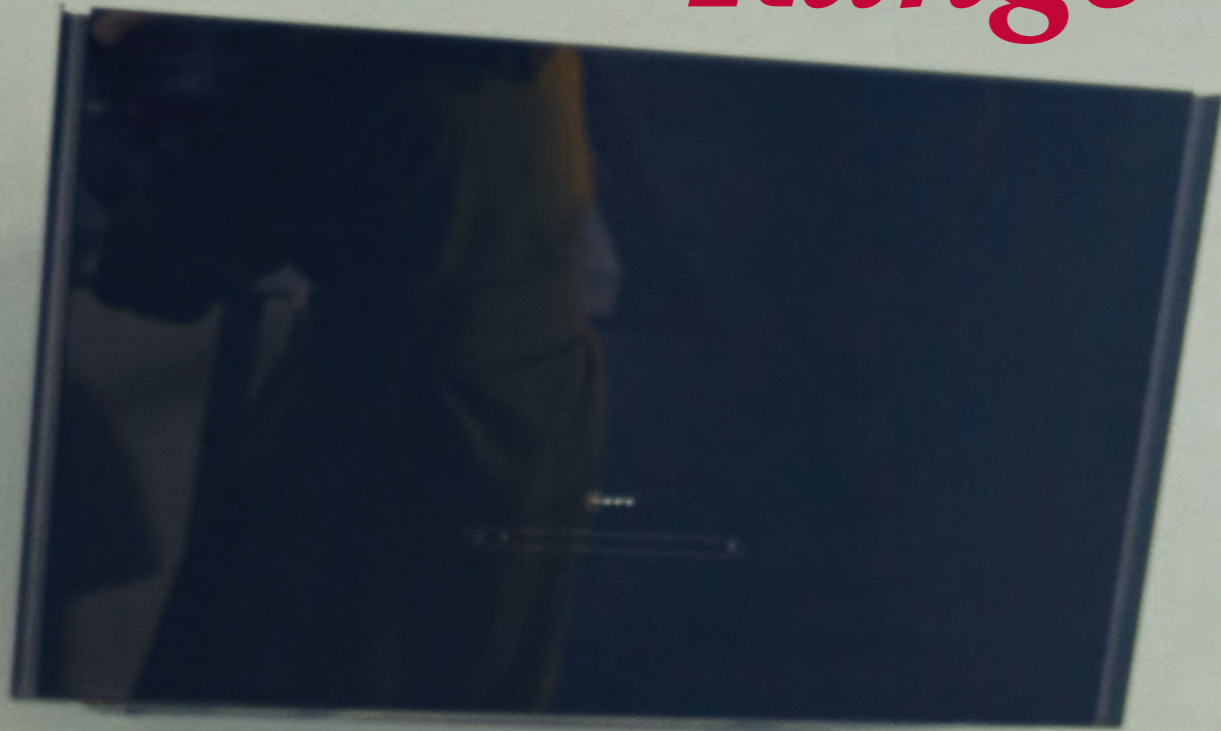
Quick-Light Ceramic Hobs

| Width | Series | Description | Control Type | Home Connect | Colour | Model Number |
|-------|--------|--|--------------------|--------------|-------------|--------------|
| 80cm | N 70 | 4 zones, 17 power levels, Boost function | Touch Control | | Black Glass | T18FDH9L |
| 60cm | N 50 | 4 zones, 17 power levels | Touch Control | | Black Glass | T16NBE1L |
| 60cm | N 30 | 4 zones, 9 power levels | Side Control Dials | | Black Glass | T16NKE0L |

Gas Hobs

| Width | Series | Description | Control Type | Home Connect | Colour | Model Number |
|-------|--------|---|---------------|--------------|--|--------------|
| 90cm | N 90 | Black Tempered Glass, 5.0kW Wok Burner, Illuminated Removable Metallic Dials, Hob-Hood Control, Smart Hood Automatic, Touch Control, Dishwasher Safe Pan Supports | Flame Select® | ✓ | Black Tempered Glass/Black Cast Iron Supports | T29RHS4S0 |
| 90cm | N 70 | 5 burner, 5.0kW Wok Burner, Star Layout, Illuminated Removable Metallic Dials, Dishwasher Safe Pan Supports | Flame Select® | | Stainless steel/Black Cast Iron Supports | T29CIR8N0 |
| 75cm | N 70 | Black Tempered Glass, 5 Burner, 4.0kW Wok Burner, Star Layout, Illuminated Removable Metallic Dials, Dishwasher Safe Pan Supports | Flame Select® | | Black Tempered Glass/Black Cast Iron Supports | T27PIQ4S0 |
| 75cm | N 70 | 5 burner, 4.0kW Wok Burner, Star Layout, Comfort Clean, Illuminated Removable Metallic Dials, Dishwasher Safe Pan Supports | Flame Select® | | Stainless steel/Black Cast Iron Supports | T27CIQ8N0 |
| 75cm | N 70 | 5 burner, 5.0kW Wok Burner, Flag Layout, Illuminated Removable Metallic Dials, Dishwasher Safe Pan Supports, | Flame Select® | | Stainless steel/Black Cast Iron Supports | T27CIS8N0 |
| 75cm | N 70 | 5 burner, 4.0kW Wok Burner, Star Layout, Illuminated Removable Metallic Dials, Dishwasher Safe Pan Supports, | Flame Select® | | Black Enamel Surface/Black Cast Iron Supports | T27CIQ8S0 |
| 75cm | N 50 | 5 burner, 3.3kW Wok Burner, Dishwasher Safe Pan Supports, | | | Stainless steel/Black Cast Iron Supports | T27GKQ8N0 |
| 60cm | N 70 | Black Tempered Glass, 4 Burner, Illuminated Removable Metallic Dials, Dishwasher Safe Pan Supports, | Flame Select® | | Black Tempered Glass/Black Cast Iron Supports | T26PIP4S0 |
| 60cm | N 70 | 4 Burner, 3.5kW Wok Burner, Illuminated Removable Metallic Dials, Dishwasher Safe Pan Supports, | Flame Select® | | Stainless steel/Black Cast Iron Supports | T26CIH8N0 |
| 60cm | N 70 | 4 Burner, Illuminated Removable Metallic Dials, Dishwasher Safe Pan Supports, | Flame Select® | | Stainless steel/Black Cast Iron Supports | T26CIP8N0 |
| 60cm | N 70 | 4 Burner, Illuminated Removable Metallic Dials, Dishwasher Safe Pan Supports, | Flame Select® | | Black Enamel surface/Black Cast Iron Supports | T26CIP8S0 |
| 60cm | N 50 | 4 Burner, 3.3kW Wok Burner, Dishwasher Safe Pan Supports | | | Stainless steel/Black Cast Iron Supports | T26GKH8N0 |
| 60cm | N 50 | Black Tempered Glass, 4 Burner, Dishwasher Safe Pan Supports | | | Black Tempered Glass/Black Cast Iron Supports | T26NKP4S0 |
| 60cm | N 30 | 4 Burner, Lateral Dials | | | Stainless steel/Black Cast Iron Finish Supports | T26BKP6N0 |
| 60cm | N 30 | 4 Burner, Lateral Dials | | | Black Enamel Surface/Black Cast Iron Finish Supports | T26BKP6S0 |

NEFF VENTILATION *Range*



Ventilation Solutions – Our Guide

Ventilation is a key consideration in every kitchen – the Hob and Hood are a focal point of all cooking setups. The kitchen design and layout will dictate the Ventilation solution that is perfect for your kitchen.

NEFF have a clear and comprehensive range that can be installed in every kitchen and the following chapter will give full details of the Ventilation solutions available.

Solutions for each installation requirement are grouped together. Each sub category presented in width order to assist in choosing the correct size for the kitchen design and to complement a NEFF hob. Product specification, Accessories and Installation details then follow.

Why NEFF Ventilation?

Performance – NEFF focus on extraction performance and have options to suit all kitchen styles. Depending on whether using induction or gas there is an option for every hob.

Design – this is as important as Performance in a kitchen as the style of the hood needs to match the style and aesthetics in the kitchen – NEFF have a broad range of hoods that can be the focal point of the kitchen or installed neatly in furniture.

Connected – NEFF Home Connect allows your hood to be controlled by your smartphone or voice assistant, making the cooking experience easier. Features such as Climate Control & Hob-Hood Control are further options for easy use of the Hood.

Installation – all NEFF hoods have been designed with the installation front of mind. With ducting and filters to match the installation solution – it's easy to navigate the range and order the appropriate kit. There are also installation videos to assist.



Your Guide to Control Types



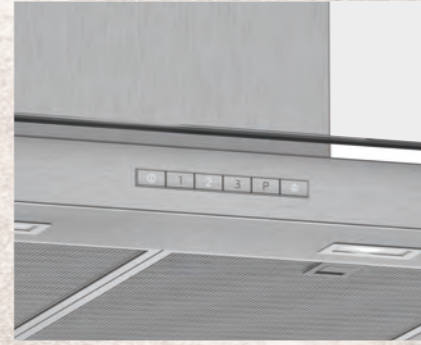
NEFF Home Connect

Compatible with Amazon Alexa and Google Home.



Touch Control

Featured on selected models in the N90, N70 and N50 Collections. Touch Control flawlessly complements our ovens and compact appliances. An LED display is also available with selected Touch Control models.



Soft Touch Control

Available across selected models within the N70 and N50 Collection, our Soft Touch Control hoods allow for greater control over power levels. Selected models also feature a white LCD screen.



Push Button

Our classic hoods feature simple, sleek and easy to use push button controls. Available across selected models in the N30 Collection.



Remote Control

Available across all Ceiling Hood models.

Rocker or Slider Switch Control

Available on our N30 Telescopic and Canopy models, our rocker or slider switch control offers a simple and straight forward setting navigation that's neatly concealed within the hood furniture.



Key Functions Guide

Features



NEFF HOME CONNECT

Control all functions and settings of your hood directly from your smart phone and voice control for the ultimate connected cooking experience.



HOB HOOD CONTROL

The Hob Hood Control allows the hood to be directly controlled from the hob. This means the hood turns on when you start cooking and, in automatic mode, can automatically regulate the power level for the best performance with the lowest noise – it also means you no longer need to worry about adjusting the hood and you can focus on your cooking.



CLIMATE CONTROL

Detects the amount of steam and smells using a sensor attached to the motor and automatically sets the most effective power level to extract it.

AMBIENT LIGHT

Illuminates your kitchen in the light that suits the occasion best. Choose from 31 colours to change how your kitchen looks and, most importantly, how it makes you feel.



EFFICIENT DRIVE MOTOR

Our Efficient Drive motor brings harmony to the kitchen. It's whisper-quiet and powerful too. Now you can focus on your cooking, and your guests, while your extractor keeps your kitchen calm, clean and serene.



NEFF SILENCE BUTTON

The unique noise reduction function reduces the fan noise by a couple of decibels, ensuring that the kitchen stays quiet while you cook and entertain your guests. This function can be used at any fan setting except fan setting 1.

SATURATION INDICATORS

Take the stress out of guessing, this function will prompt you if the grease filters should be cleaned. If the hood is installed in recirculation, this will also indicate when the charcoal filters need replacing.

BOOST POSITION

For our sleek angled glass and flat hoods, receive an extra boost of extraction performance in special cooking situations, for example when frying meat or fish. The front panel can be slightly opened during cooking to a defined extraction boost position in order to increase the steam catching rate of the hood and keep your kitchen free from steam.

Functions

AUTOMATIC AFTER-RUNNING

Continues running at a low speed for 3-30 minutes before turning itself off. Perfect for keeping fresh air in the kitchen post-cooking.

INTENSIVE SETTING

Boosts the extraction rate to the maximum level to cope with particularly demanding cooking conditions.

ELECTRONIC POWER LEVEL DISPLAY

The sleek display clearly shows the selected fan power level setting.

NEFF FRESH AIR

Runs an automatic air exchange programme, turning the hood into power level 1 for 5 minutes every hour for as long as required.

AUTOMATIC REVERT

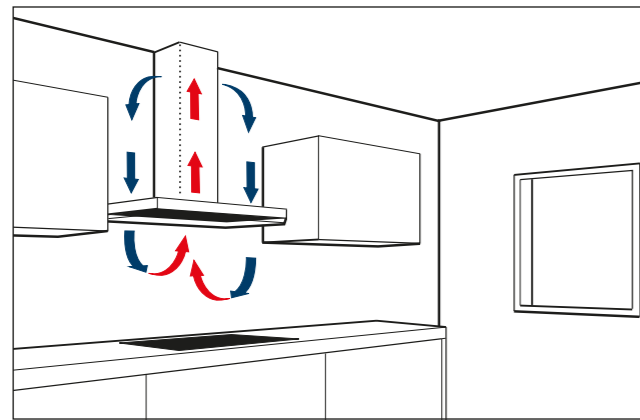
Automatically reverts the hood back to a lower power level after approximately ten minutes of being on the intensive setting.

SOFT LIGHT

Brightens or dims the lights as it's switched on or off; just press and hold to adjust the level of brightness.

Installation Options

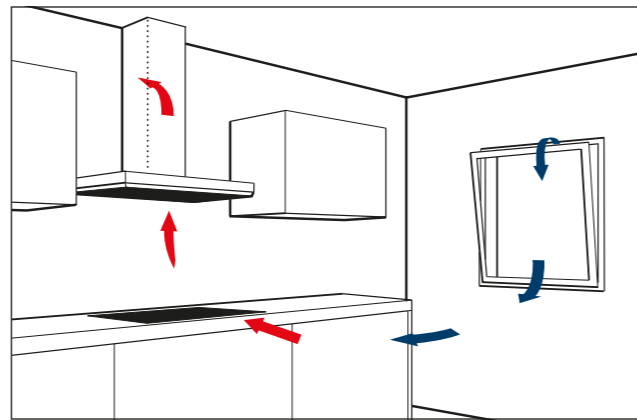
The best way to remove steam and odours is to extract the air out of the room through ducting. Unfortunately, in apartments or where the hood is too far away from an outside wall, this may not be possible. In this case, the only alternative is to recirculate the air. Stale air is sucked through a grease filter, before being purified in a charcoal filter, and then pumped back into the kitchen via an opening in the hood.



Recirculation

Recirculating

Removes between 70-95% of odours depending on filter used. Requires changing of charcoal filter on a regular basis or a longer-lasting Regenerative filter for certain models can be used.



Extraction

Ducted

Removes up to 98% of odours in an optimal installation. Requires planning of ducting (ducting to be sourced separately), however doesn't require a recirculation charcoal filter.

Use the following equation to calculate your extraction rate:

Volume of kitchen (length x width x height) eg. 4m x 3m x 2.5m = 30m³

6 x volume in normal operation and 12 x volume in intensive operation.

Please note that these are recommended estimates only to be used as a guide. This assumes a 2.5m standard ceiling height with 12 air changes per hour to match to an intensive extraction rate.

Regenerative Recirculation Filters

The new Regenerative Charcoal Filters give you a long lasting filter, thanks to a regenerative process using your oven, and can even be installed without a chimney piece if preferred. Benefit from up to 95% odour reduction when in recirculation mode.

Identify your extraction rate

Your extractor needs to circulate the air in the room 6 times in normal operation, 12 times in intensive operation, per hour. Use the below to help identify the required extraction rate which can then be used to select the appropriate extractor.

| | 2.5m | 3m | 3.5m | 4m | 4.5m | 5m |
|------|------------------|------------------|------------------|------------------|------------------|------------------|
| 2.5m | 16m ³ | | | | | |
| 3m | 19m ³ | 23m ³ | | | | |
| 3.5m | 22m ³ | 26m ³ | 31m ³ | | | |
| 4m | 25m ³ | 30m ³ | 35m ³ | 40m ³ | | |
| 4.5m | 28m ³ | 34m ³ | 39m ³ | 45m ³ | 51m ³ | |
| 5m | 31m ³ | 38m ³ | 44m ³ | 50m ³ | 56m ³ | 63m ³ |

Recirculation Filters

We offer a range of recirculation filters that are available depending on the model of hood you choose. Featuring powerful odour reduction rates and performance benefits, our new regenerative filters can last up to 10 years and are regenerated through a heating process in the oven every 4 months.

| TYPE : | Standard Odour Filter | Cleanair Plus Filter | Long Life Regenerative Filter |
|---|--|---|--|
| ODOUR REDUCTION | Up to 85% | Up to 95% | Up to 95% (Up to 86% if installed without a chimney) |
| RECOMMENDED EXCHANGE | Approx. 2 times per year | Approx. once per year | Approx. once every 10 years |
| KEY BENEFITS | <ul style="list-style-type: none"> Simple installation Anti-fish treatment | <ul style="list-style-type: none"> Up to 3dB (A) sound reduction Better extraction performance Anti-fish treatment Removes over 99% of all pollen | <ul style="list-style-type: none"> Up to 3dB (A) sound reduction Regenerated in the oven every 4 months recommended (2 hours 200°C) Better extraction performance |
| INSTALLATION | Behind grease filter, inside the hood | Extra module attached to hood chimney (stainless steel) New Chimney Hoods: Integrated plastic module fitted inside the chimney piece | Extra module (as per CleanAir filter) onto chimney or inside chimney. 'Chimless' installation possible (Angled and Flat only) |
| INSTALLATION WITHOUT CHIMNEY POSSIBLE? | Yes (Angled and Flat only) | Yes (Angled and Flat only) | Yes (Angled and Flat only) |

CleanAir Plus and Regenerative filters not available for all styles of hood. Additional module may be required to house the filter. Images for example only, different filters may come in a different size and style.

Installation

The following points should be observed for optimum ducted extraction results and low noise:

1. Ensure any pipe elbow bends are at least 30cm from the hood ducting opening.
2. Avoid reducing the diameter or area of the ducting.
3. Use wide-angled pipe elbows, but keep the number used to a minimum.
4. Only install pipes with smooth, even inner surfaces. If a flexible hose has to be used, ensure it is pulled tight to smooth out the ridges before fixing.
5. Use ducting pipes with a diameter of at least 120mm, but ideally 150mm.
6. Keep piping to a minimum – use the most direct route to an external outlet.
7. Make sure that there is an adequate supply of fresh air to replace the air ducting out of the kitchen, i.e. windows that can be opened, doors to adjacent rooms, air bricks. Problems with installation may occur if points 1-7 are not observed.

Easy Mounting System

Thanks to an easy wall-mounting system, selected hoods can be installed quickly and securely by one person. Rotating offset 'cam' fixings make it possible for positional adjustments of up to 6mm, helping to get the hood level and stable. (Not available on all our hoods.)

Effortless Compatibility: Experience

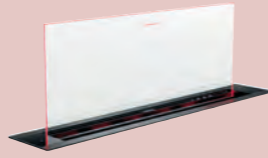




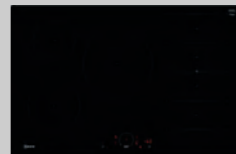
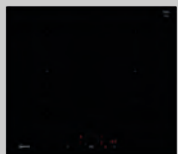
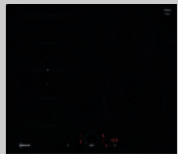
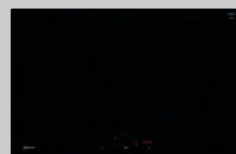

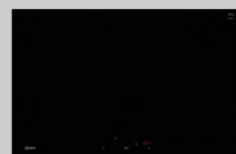
NEFF's universal **climateControl** models and smart technology-controlled **Smart Hood Automatic** models offer automatic hood control across the range detailed here. Or if preferred manual control via the hob is also an option.

It is recommended to pair a hob and hood of the same width for optimal results.

NEFF's Hob Hood Connectivity

| | VALUE CLASS | 90CM RANGE |
|--------------|-------------|--|
| HOODS | N90 | NEFF CLIMATECONTROL SENSOR HOODS Designed to work seamlessly with any hob. NEFF climateControl Sensor Hoods allows the Hood to automatically adjust its fan speed and performance based on cooking activities and conditions, ensuring that the kitchen environment is always clean and smell-free. Built-in sensors monitor temperature, steam, and cooking activity, allowing the hood to increase fan speed and suction power when necessary. This ensures efficient ventilation, removes smoke and odours, and maintains a fresh kitchen environment. The climate control sensor optimizes energy efficiency & noise levels by reducing speed and power when steam & odour generation is low. |
| | | I98WMM1S7B GlassDraft Hood  |
| | | D98IPT2S0B Wall Mounted Angled Hood  |
| HOODS | N70 | |
| | N50 | |
| HOBS | N90 | NEFF COMPATIBLE HOB RANGE All of these hobs are compatible with Smart Hood Automatic via NEFF Home Connect/using the intelligent algorithm. If manual control of the hood is preferred these hobs also enable you to do this from your hob rather than reaching up. |
| | | T69FUV4L0 Flex Induction Hob  |
| | | T29RHS4S0 Gas Hob* <small>*Gas cannot be used with GlassDraft Hood</small>  |
| HOBS | N70 | T69FHV4L0 Flex Induction Hob  |
| | | |
| | | |



| 80CM RANGE | 60CM RANGE |
|--|--|
| I88WMM1S7B GlassDraft Hood  | |
| | |
| D88IAN2S0B Wall Mounted Angled Hood  | |
| D85IFN1S0B Wall Mounted Angled Hood  | D65IFN1S0B Wall Mounted Angled Hood  |
| | |
| T68FUV4L0 Flex Induction Hob  | |
| | |
| T68FHV4L0 Flex Induction Hob  | T66FHX4L0 Flex Induction Hob  |
| | T66FHE4L0 Flex Induction Hob  |
| T58FHW1L0 Induction Hob  | T56FHS1L0 Induction Hob  |
| T58PHW1L0 Induction Hob  | |

THE NEFF OVEN COLLECTIONS

HOBS

VENTILATION

REFRIGERATION

DISHWASHING

LAUNDRY

Island Ventilation Solutions

Open plan kitchens are growing in popularity and these solutions can create that open plan aesthetic.



Glass Draft Hood

- Modern version of a downdraft hood is a highly effective worktop ventilation solution that vanishes completely when not in use.
- A unique solution with impressive design and performance credentials.
- Guided Air technology has an additional motor with a fan that creates a “V” shaped curtain of air behind the screen – pushing down cooking vapours which are captured by the extractor fan.
- Fully Automated Extraction – using climateControl sensor to detect the amount of humidity and grease in the air – automatically adjusting to the correct level.
- Ambient lighting – using the NEFF Home Connect app the colours can be changed to suit the room or the vibe in the kitchen.



Venting Hob

- Designed with open plan living in mind – Extremely silent powerful ventilation.
- Generous glass surface area with a slim integrated vent creates a flexible work surface which is simple to clean.
- Easy to remove Grease filter can hold spillages of up to 200ml.
- Grease filter and holder and dishwasher safe for easy & effective cleaning.
- Flex Induction & Combi Zone models available.
- Choice of Controls – Twist Pad®, Touch Twist® or Touch control®.

Seamless Hob Installation

- To create a unified hob and hood installation the Glass Draft Hood can be combined with selected Induction hobs.
- Available for both 90cm and 80cm widths.





Ceiling Hood

- Designed for modern island and peninsula kitchen layouts.
- Provide high performance with low noise levels.
- Easy adjustable installation for different thickness of ceiling material and construction.
- Flush mounted.
- Can be used in extraction or recirculation mode.
- 360° turntable motor – easy access for ducting and power connection once installed.
- Can be used with Clean Air or Regenerative filters.




Worktop Installation

- Installation can be Recirculated or Ducted out.

| | 90CM I98WMM1S7B N90 | 80CM I88WMM1S7B N90 |
|---|---|---|
| | <ul style="list-style-type: none"> • Guided Air Technology • Climate Control Sensor • Hob-Hood Control • Efficient Drive Motor • Home Connect • Ambient Light  | <ul style="list-style-type: none"> • Guided Air Technology • Climate Control Sensor • Hob-Hood Control • Efficient Drive Motor • Home Connect • Ambient Light  |
| | <p>ORDER SEAMLESS COMBINATION</p> <p>Step 1 – Glass Draft Hood Order your glass draft hood. • I98WMM1S7B</p> <p>Step 2 – Induction Hob Order your compatible Induction Hob. • T69FUV4L0 90cm Flex Induction Hob • T69FHV4L0 90cm Flex Induction Hob</p> <p>Step 3 – Seamless Installation Kit Order your Seamless Combination Kit • Z92WWY9X2</p> | <p>ORDER SEAMLESS COMBINATION</p> <p>Step 1 – Glass Draft Hood Order your glass draft hood. • I88WMM1S7B</p> <p>Step 2 – Induction Hob Order your compatible Induction Hob. • T68FUV4L0 80cm Flex Induction Hob • T58FHW1L0 80cm Flex Induction Hob • T68FHV4L0 80cm Flex Induction Hob</p> <p>Step 3 – Seamless Installation Kit Order your Seamless Combination Kit • Z92WWY8X2</p> |
| SPECIAL FEATURES | | |
| Seamless Installation to Hob Available (Check Compatibility) | • | • |
| Home Connect | • | • |
| Guided Air | • | • |
| Ambient Light | • | • |
| Climate Control Sensor | • | • |
| Hob-hood control | • | • |
| Efficient Drive | • | • |
| Intensive setting / Automatic intensive revert ¹ | • | • |
| Filter Saturation Indicator | • | • |
| Filter Service Position | • | • |
| FEATURES | | |
| Suitable for ducted operation / recirculating ² | • | • |
| Power levels | 3 + 2 Intensive | 3 + 2 Intensive |
| NEFF Fresh Air (Interval operation) | • | • |
| Automatic after running | 10 min | 10 |
| Lighting | Glass rim illumination | Glass rim illumination |
| Type of control | Touch Control | Touch Control |
| PERFORMANCE / TECHNICAL INFORMATION | | |
| Energy Rating | A | A |
| Appliance width | 918 mm | 802 |
| Extraction Rate in m³/h^{3,4} | | |
| Power level 3 - ducted / recirculating | 519 / 472 | 501 / 447 |
| Intensive level 1 - ducted / recirculating | 656 / 543 | 620 / 501 |
| Intensive level 2 - ducted / recirculating | 833 / 620 | 775 / 562 |
| Noise level (sound power) based on dB(A) re 1 pW^{3,5} | | |
| Power level 3 - ducted / recirculating | 62 / 65 | 62 / 65 |
| Intensive level 1 - ducted / recirculating | 67 / 68 | 67 / 67 |
| Intensive level 2 - ducted / recirculating | 71 / 71 | 70 / 70 |
| Extension Height | 250 mm | 250 |
| Pipe outlet diameter | 150 mm | 150 |
| Minimum distance above an electric hob / gas hob ⁶ | 0 / Not Compatible | 0 / Not Compatible |
| GB plug | • | • |

Ceiling Installation Hoods

| | 90CM I95CAQ6N0B N50 |
|---|---|
| | <ul style="list-style-type: none"> • Hob-Hood Control • Efficient Drive Motor • Home Connect  |
| SPECIAL FEATURES | |
| Home Connect | • |
| Hob Hood control | • |
| Efficient Drive | • |
| Intensive setting / Automatic intensive revert ¹ | • / • |
| NEFF Silence function | • |
| Filter saturation indicator | • |
| FEATURES | |
| Suitable for ducted operation / recirculating | • / • |
| Power levels | 3 + 2 Intensive |
| NEFF Fresh Air (Interval operation) | • |
| Automatic after running | 10 minutes |
| Lighting | 4 x LED lights |
| Softlight with dimmer function | • |
| Number of metal grease filter cassettes | 2 |
| Type of control | Remote Control |
| PERFORMANCE / TECHNICAL INFORMATION | |
| Energy Rating | A |
| Appliance width | 900 mm |
| Extraction Rate in m³/h^{3,4} | |
| Power level 3 ducted / recirculating | 458 / 422 |
| Intensive level 1 ducted / recirculating | 594 / 513 |
| Intensive level 2 ducted / recirculating | 798 / 565 |
| Noise level (sound power) based on dB(A) re 1 pW^{3,5} | |
| Power level 3 ducted / recirculating | 56 / 63 |
| Intensive level 1 ducted / recirculating | 62 / 67 |
| Intensive level 2 ducted / recirculating | 68 / 69 |
| Pipe outlet diameter | 150 mm |
| Minimum distance above an electric hob / gas hob ⁶ | 650 / 650 mm |
| GB plug | • |

¹Power automatically reverts back to normal setting after intensive. ²A type of recirculating kit is required if recirculating. ³Air Flow and noise declarations made in line with CECEC Code of Conduct. ⁴Measured according to EN61591 on largest pipe diameter. ⁵Sound power measured according to EN60704-3 on largest pipe diameter. ⁶From top of pan supports. Depending on the model, a 'Recirculating odour filter kit' will consist of the following items: Charcoal filter, flexible hose, air duct, fixing components, installation instructions.

Venting Hobs

- Installed with energy efficient brushless motors that offer powerful but quiet performance.
- Can be installed in Recirculation or Ducted Out – 4 Ventilation solutions available.
- A larger Overflow container will hold up to 700ml and is integrated in the base of the appliance so will not impact on storage space below.
- To install in recirculation mode no further components are required.

| | 80CM | |
|--|---------------------------|---------------------------|
| | V68AUX4C0 N90 | V58PHQ4C0 N70 |
| KEY FEATURES | | |
| Home Connect | • | • |
| Integrated extractor | • | • |
| Automatic extraction | Fully sensor based | Auto-On |
| Favourite Button | • | • |
| Extended Frying Sensor | 11 settings | 11 settings |
| Power Move / Power Boost / Power Transfer | / ● / ● | / ● / |
| Flex Induction | • | • |
| Number of Flex Induction zones | 2 | 2: Left & Right |
| Combi Zone Induction | | |
| HOB FEATURES | | |
| Number of individual zones | 4 | 4 |
| Power Levels | 17 | 17 |
| Digital display / Adaptable Volume | ● / ● | ● / ● |
| Count up Timer / Count down timer | / ● | / ● |
| Main on/off switch / Quick Start / Restart Function / Quick Stop | ● / ● / ● / | ● / ● / ● / |
| Energy Consumption Display | • | • |
| Pan Recognition / Pan Boost | ● / | ● / |
| Demo Mode | | |
| Dish Categories / Setting Recommendations | Via HC | Via HC |
| Keep Warm Function | Via HC / Favourite Button | Via HC / Favourite Button |
| SAFETY FEATURES | | |
| Residual Heat Indicator / Pause Function | ● / ● | ● / ● |
| Timer with automatic switch off for each zone | | |
| Control Panel Lock / Safety Time Switch off | ● / ● | ● / ● |
| HOOD FEATURES | | |
| Climate Control sensor | • | • |
| Power levels | 17 + 2 Intensive | 9 + 2 Intensive |
| Automatic intensive revert setting | 6 minutes | 6 minutes |
| Automatic or manual control / Interval operation | ● / ● | ● / ● |
| Automatic after running (extraction/recirculation) | 12 / 30 minutes | 30 minutes |
| Dishwasher safe grease filter cassette with spillage collection | Yes - 200ml capacity | Yes - 200ml capacity |
| Dishwasher safe spillage overflow collector | 700ml capacity | 700ml capacity |
| Metal grease filter / Electronic grease filter / cleanAir filter saturation indicators | ● / ● / ● | ● / ● / ● |
| PERFORMANCE / TECHNICAL INFORMATION – HOB | | |
| Nominal voltage / Maximum power output | V / W 220-240 / 7,400 | 220-240 / 7,400 |
| Electrical cable length | cm 110 | 110 |
| Rear left Induction zone | kW/mm 2.20 200x240 | 2.50 190x210 |
| Rear right Induction zone | kW/mm 2.20 200x240 | 2.50 190x210 |
| Front left Induction zone | kW/mm 2.20 200x240 | 2.50 190x210 |
| Front right Induction zone | kW/mm 2.20 200x240 | 2.50 190x210 |
| Flex Induction zone left | kW/mm 3.30 400x240 | |
| Flex Induction zone right | kW/mm 3.30 400x240 | |
| CombiZone left | kW/mm | 3.60 380x210 |
| CombiZone right | kW/mm | 3.60 380x210 |
| Rear left / right zone – with Power Boost | max. kW 3.70 / 3.70 | 3.70 / 3.70 |
| Front left / right zone – with Power Boost | max. kW 3.70 / 3.70 | 3.70 / 3.70 |
| PERFORMANCE / TECHNICAL INFORMATION – EXTRACTOR | | |
| Extractor energy efficiency rating | | |
| Extraction Rate in m³/h¹² | | |
| Ducted / Recirculating power level Minimum | 154 / 132 | 154 / 117 |
| Ducted / Recirculating power level Maximum | 500 / 499 | 500 / 487 |
| Ducted / Recirculating power level Intensive | 622 / 595 | 622 / 595 |
| Noise level (sound power) based on dB(A) re 1 pW³ | | |
| Ducted / Recirculating power level Minimum | 42 / 41 | 42 / 41 |
| Ducted / Recirculating power level Maximum | 69 / 68 | 69 / 68 |
| Ducted / Recirculating power level Intensive | 74 / 72 | 74 / 72 |
| Motor power | 170 | 170 |

| | 80CM | | 70CM | 60CM |
|--|---------------------------|---------------------------|---------------------------|---------------------------|
| | V58NHQ4L0 N70 | V58NBS1L0 N50 | V57THQ4L0 N70 | V56NBS1L0 N50 |
| KEY FEATURES | | | | |
| Home Connect | • | • | • | • |
| Integrated extractor | • | • | • | • |
| Automatic extraction | Auto-On | Auto-On | Auto-On | Auto-On |
| Favourite Button | • | • | • | • |
| Extended Frying Sensor | 11 settings | | 11 settings | |
| Power Move / Power Boost / Power Transfer | / ● / | / ● / | / ● / | / ● / |
| Flex Induction | • | • | • | • |
| Number of Flex Induction zones | 2 | 2: Left & Right | 2: Left & Right | |
| Combi Zone Induction | | | | |
| HOB FEATURES | | | | |
| Number of individual zones | 4 | 4 | 4 | 4 |
| Power Levels | 17 | 17 | 17 | 17 |
| Digital display / Adaptable Volume | ● / ● | ● / ● | ● / ● | ● / ● |
| Count up Timer / Count down timer | / ● | / ● | / ● | / ● |
| Main on/off switch / Quick Start / Restart Function / Quick Stop | ● / ● / ● / | ● / ● / ● / | ● / ● / ● / | ● / ● / ● / |
| Energy Consumption Display | • | • | • | • |
| Pan Recognition / Pan Boost | ● / | ● / | ● / | ● / |
| Demo Mode | | | | |
| Dish Categories / Setting Recommendations | Via HC | Via HC | Via HC | Via HC |
| Keep Warm Function | Via HC / Favourite Button | Via HC / Favourite Button | Via HC / Favourite Button | Via HC / Favourite Button |
| SAFETY FEATURES | | | | |
| Residual Heat Indicator / Pause Function | ● / ● | ● / ● | ● / ● | ● / ● |
| Timer with automatic switch off for each zone | | | | |
| Control Panel Lock / Safety Time Switch off | ● / ● | ● / ● | ● / ● | ● / ● |
| HOOD FEATURES | | | | |
| Climate Control sensor | • | • | • | • |
| Power levels | 9 + 2 Intensive | 3 + 1 Intensive | 9 + 2 Intensive | 3 + 1 Intensive |
| Automatic intensive revert setting | 6 minutes | 6 minutes | 6 minutes | 6 minutes |
| Automatic or manual control / Interval operation | ● / ● | ● / ● | ● / ● | ● / ● |
| Automatic after running (extraction/recirculation) | 30 minutes | 12 / 30 minutes | 30 minutes | 12 / 30 minutes |
| Dishwasher safe grease filter cassette with spillage collection | Yes - 200ml capacity | Yes - 200ml capacity | Yes - 200ml capacity | Yes - 200ml capacity |
| Dishwasher safe spillage overflow collector | 700ml capacity | 700ml capacity | 700ml capacity | 700ml capacity |
| Metal grease filter / Electronic grease filter / cleanAir filter saturation indicators | ● / ● / ● | ● / ● / ● | ● / ● / ● | ● / ● / ● |
| PERFORMANCE / TECHNICAL INFORMATION – HOB | | | | |
| Nominal voltage / Maximum power output | V / W 220-240 / 7,400 | 220-240 / 7,400 | 220-240 / 7,400 | 220-240 / 7,400 |
| Electrical cable length | cm 110 | 110 | 110 | 110 |
| Rear left Induction zone | kW/mm 2.50 190x210 | 2.20 190x210 | 2.50 190x210 | 2.20 190x210 |
| Rear right Induction zone | kW/mm 2.50 190x210 | 1.80 180 | 2.50 190x210 | 1.40 145 |
| Front left Induction zone | kW/mm 2.50 190x210 | 2.20 190x210 | 2.50 190x210 | 2.20 190x210 |
| Front right Induction zone | kW/mm 2.50 190x210 | 2.20 210 | 2.50 190x210 | 2.20 210 |
| Flex Induction zone left | kW/mm | | | |
| Flex Induction zone right | kW/mm | | | |
| CombiZone left | kW/mm | 3.60 380x210 | 3.60 380x210 | 3.60 380x210 |
| CombiZone right | kW/mm | 3.60 380x210 | 3.60 380x210 | 3.60 380x210 |
| Rear left / right zone – with Power Boost | max. kW 3.70 / 3.70 | 3.70 / 3.10 | 3.70 / 3.70 | 3.70 / 2.20 |
| Front left / right zone – with Power Boost | max. kW 3.70 / 3.70 | 3.70 / 3.70 | 3.70 / 3.70 | 3.70 / 3.70 |
| PERFORMANCE / TECHNICAL INFORMATION – EXTRACTOR | | | | |
| Extractor energy efficiency rating | | | | |
| Extraction Rate in m³/h¹² | | | | |
| Ducted / Recirculating power level Minimum | 154 / 117 | 330 / 252 | 154 / 117 | 330 / 252 |
| Ducted / Recirculating power level Maximum | 500 / 487 | 500 / 441 | 500 / 487 | 500 / 441 |
| Ducted / Recirculating power level Intensive | 622 / 595 | 622 / 595 | 622 / 595 | 622 / 595 |
| Noise level (sound power) based on dB(A) re 1 pW³ | | | | |
| Ducted / Recirculating power level Minimum | 42 / 41 | 61 / 55 | 42 / 41 | 61 / 55 |
| Ducted / Recirculating power level Maximum | 69 / 68 | 69 / 66 | 69 / 68 | 69 / 66 |
| Ducted / Recirculating power level Intensive | 74 / 72 | 74 / 72 | 74 / 72 | 74 / 72 |
| Motor power | 170 | 170 | 170 | 170 |

¹ Air flow and noise declarations made in line with CECEC Code Of Conduct. ² Measured according to EN61591 on largest pipe diameter. ³ Sound power measured according to EN60704-3 on largest pipe diameter.

Wall Mounted Ventilation Solutions

Hoods installed on the wall can be used to create a design feature in themselves, adding a focal point to your kitchen while offering powerful extraction for all types of cooking.

Angled Glass

- Inclined front with dimmable LED mood lighting.
- Fully Automatic Air Sensor.
- Whisper quiet ventilation.
- Chimless or Chimney options.



Pyramid Chimney

- Traditionally styled.
- Broad variety of sizes & specifications.
- Quiet operation.



Box Chimney

- Classic box design.
- Highly Efficient.
- Quiet operation.
- LED low energy lighting.



Slim Pyramid Chimney

- Flatter profile.
- Broad variety of sizes & specifications.
- Quiet operation.



Wall Installation Hoods

| | 90CM | 80CM |
|--|---|---|
| | D98IPT2S0B N90 | D88IAN2S0B N70 |
| | <ul style="list-style-type: none"> Hob-Hood Control ClimateControl Sensor  | <ul style="list-style-type: none"> Hob-Hood Control Smart Hood Automatic Efficient Drive Motor Home Connect Adjustable Lighting  |
| SPECIAL FEATURES | | |
| Home Connect | • | • |
| Adjustable LED White Colour Temperature | • | • |
| Ambient Light | | |
| Climate Control Sensor | • | |
| Smart Hood Automatic | | • |
| Hob-hood control | • | • |
| Efficient Drive | • | • |
| Intensive setting / Automatic intensive revert ¹ | •/• | •/• |
| Boost Position (Angled & Flat Hoods) | • | • |
| Filter Saturation Indicator | • | via HomeConnect |
| FEATURES | | |
| Suitable for ducted operation / recirculating ² | •/• | •/• |
| Electronic power level display | • | • |
| Power levels | 3 + 2 Intensive | 3 + 1 Intensive |
| Automatic after running minutes | 10 | 10 |
| Lighting | 2 x LED lights | 2 x LED lights |
| Type of control | Touch Control | Touch Control |
| PERFORMANCE / TECHNICAL INFORMATION | | |
| Energy Rating | A+ | A+ |
| Appliance width mm | 890 | 790 |
| Extraction Rate in m³/h ^{3,4} | | |
| Power level 3 - ducted / recirculating | 441 / 435 | 432 / 433 |
| Intensive level 1 - ducted / recirculating | 753 / 752 | 915 / 896 |
| Intensive level 2 - ducted / recirculating | 1007 / 964 | |
| Noise level (sound power) based on dB(A) re 1 pW ^{3,5} | | |
| Power level 3 - ducted / recirculating | 51 / 59 | 51 / 59 |
| Intensive level 1 - ducted / recirculating | 65 / 72 | 68 / 76 |
| Intensive level 2 - ducted / recirculating | 70 / 78 | |
| Pipe outlet diameter mm | 150 | 150 |
| Minimum distance above an electric hob / gas hob ⁶ mm | 450 / 650 | 450 / 650 |
| GB plug | • | • |

| | 80CM | | 60CM | |
|--|--|---|--|---|
| | D85IFN1S0B N50 | D83IDK1S0B N30 | D65IFN1S0B N50 | D63IDK1S0B N30 |
| | <ul style="list-style-type: none"> Hob-Hood Control Smart Hood Automatic Efficient Drive Motor Home Connect Adjustable Lighting  |  | <ul style="list-style-type: none"> Hob-Hood Control Smart Hood Automatic Efficient Drive Motor Home Connect Adjustable Lighting  |  |
| | • | | • | |
| | • | | • | |
| | • | | • | |
| | • | | • | |
| | •/• | •/• | •/• | •/• |
| | • | • | • | • |
| | via HomeConnect | | via HomeConnect | |
| | •/• | •/• | •/• | •/• |
| | • | • | • | • |
| | 3 + 1 Intensive | 3 + 1 Intensive | 3 + 1 Intensive | 3 + 1 Intensive |
| | 10 | 10 | 10 | 10 |
| | 2 x LED lights | 2 x LED lights | 2 x LED lights | 2 x LED lights |
| | Touch Control | Touch Control | Touch Control | Touch Control |
| | A+ | A | A+ | A |
| | 790 | 790 | 590 | 590 |
| | 431 / 429 | 430 / 445 | 431 / 429 | 430 / 445 |
| | 768 / 724 | 550 / 550 | 768 / 724 | 550 / 550 |
| | 56 / 62 | 60 / 69 | 56 / 62 | 60 / 69 |
| | 68 / 74 | 65 / 72 | 68 / 74 | 65 / 72 |
| | 150 | 150 | 150 | 150 |
| | 450 / 650 | 450 / 650 | 450 / 650 | 450 / 650 |
| | • | • | • | • |

¹Power automatically reverts back to normal setting after intensive. ²A type of recirculating kit is required if recirculating. ³Air Flow and noise declarations made in line with CECEC Code of Conduct. ⁴Measured according to EN61591 on largest pipe diameter. ⁵Sound power measured according to EN60704-3 on largest pipe diameter. ⁶From top of pan supports. Depending on the model, a 'Recirculating odour filter kit' will consist of the following items: Charcoal filter, flexible hose, air duct, fixing components, installation instructions.

Box Chimney Hoods



| | D95BMP5N0B N70 | D94BHM1S5B N50 | D94BHM1N0B N50 |
|---|---|---|---|
| SPECIAL FEATURES | <ul style="list-style-type: none"> • Efficient Drive Motor • Touch Control • Automatic After Run | <ul style="list-style-type: none"> • Touch Control | <ul style="list-style-type: none"> • Touch Control |
| Efficient Drive | • | | |
| Intensive setting / Automatic intensive revert ¹ | •/• | •/• | •/• |
| NEFF Silence function | • | | |
| Filter saturation indicator | • | | |
| FEATURES | | | |
| Suitable for ducted operation/recirculating ² | •/• | •/• | •/• |
| Electronic power level display | • | | |
| Power levels | 3 + 2 Intensive | 3 + 2 Intensive | 3 + 1 Intensive |
| NEFF Fresh Air (Interval operation) | • | | |
| Automatic after running minutes | 10 | | |
| Lighting | 3 x LED lights | 3 x LED lights | 2 x LED lights |
| Softlight with dimmer function | • | | |
| Type of control | Touch Control | Touch Control | Touch Control |
| PERFORMANCE / TECHNICAL INFORMATION | | | |
| Energy Rating | A | B | B |
| Appliance width mm | 898 | 900 | 900 |
| Extraction Rate in m³/h^{3,4} | | | |
| Power level 3 ducted / recirculating | 427 / 324 | 372 / 290 | 372 / 290 |
| Intensive level 1 ducted / recirculating | 525 / 352 | 604 / 360 | 604 / 360 |
| Intensive level 2 ducted / recirculating | 702 / 378 | | |
| Noise level (sound power) based on dB(A) re 1 pW^{5,5} | | | |
| Power level 3 ducted / recirculating | 55 / 70 | 60 / 71 | 60 / 71 |
| Intensive level 1 ducted / recirculating | 60 / 72 | 70 / 75 | 70 / 75 |
| Intensive level 2 ducted / recirculating | 66 / 73 | | |
| Pipe outlet diameter mm | 150 / 120 | 150 / 120 | 150 / 120 |
| Minimum distance above an electric hob / gas hob ⁶ mm | 550 / 650 | 550 / 650 | 550 / 650 |
| GB plug | • | • | • |

| | D92BBC0S0B N30 | D65BMP5N0B N70 | D64BHM1N0B N50 | D62BBC0N0B N30 | D62BBC0S0B N30 |
|---|------------------|---|---|------------------|------------------|
| SPECIAL FEATURES | | <ul style="list-style-type: none"> • Efficient Drive Motor • Touch Control • Automatic After Run | <ul style="list-style-type: none"> • Touch Control | | |
| Efficient Drive | | • | | | |
| Intensive setting / Automatic intensive revert ¹ | | •/• | •/• | | |
| NEFF Silence function | | • | | | |
| Filter saturation indicator | | • | | | |
| FEATURES | | | | | |
| Suitable for ducted operation/recirculating ² | •/• | •/• | •/• | •/• | •/• |
| Electronic power level display | | • | | | |
| Power levels | 3 | 3 + 2 Intensive | 3 + 1 Intensive | 3 | 3 |
| NEFF Fresh Air (Interval operation) | | • | | | |
| Automatic after running minutes | | 10 | | | |
| Lighting | 2 x LED lights | 2 x LED lights | 2 x LED lights | 2 x LED lights | 2 x LED lights |
| Softlight with dimmer function | | • | | | |
| Type of control | Push Buttons | Touch Control | Touch Control | Push Buttons | Push Buttons |
| PERFORMANCE / TECHNICAL INFORMATION | | | | | |
| Energy Rating | D | A | B | D | D |
| Appliance width mm | 900 | 598 | 600 | 600 | 600 |
| Extraction Rate in m³/h^{3,4} | | | | | |
| Power level 3 ducted / recirculating | 365 / 240 | 413 / 281 | 368 / 281 | 365 / 197 | 365 / 197 |
| Intensive level 1 ducted / recirculating | | 503 / 299 | 605 / 348 | | |
| Intensive level 2 ducted / recirculating | | 657 / 322 | | | |
| Noise level (sound power) based on dB(A) re 1 pW^{5,5} | | | | | |
| Power level 3 ducted / recirculating | 64 / 65 | 61 / 72 | 60 / 71 | 63 / 66 | 63 / 66 |
| Intensive level 1 ducted / recirculating | | 66 / 74 | 69 / 75 | | |
| Intensive level 2 ducted / recirculating | | 71 / 75 | | | |
| Pipe outlet diameter mm | 150 / 120 | 150 / 120 | 150 / 120 | 150 / 120 | 150 / 120 |
| Minimum distance above an electric hob / gas hob ⁶ mm | 550 / 650 | 550 / 650 | 550 / 650 | 550 / 650 | 550 / 650 |
| GB plug | • | • | • | • | • |

¹Power automatically reverts back to normal setting after intensive. ²A type of recirculating kit is required if recirculating. ³Air Flow and noise declarations made in line with CECEC Code of Conduct. ⁴Measured according to EN61591 on largest pipe diameter. ⁵Sound power measured according to EN60704-3 on largest pipe diameter. ⁶From top of pan supports. Depending on the model, a 'Recirculating odour filter kit' will consist of the following items: Charcoal filter, flexible hose, air duct, fixing components, installation instructions.

Slim Pyramid Chimney Hoods



| SPECIAL FEATURES | | |
|--|-----------------|-----------------|
| Intensive setting / Automatic intensive revert ¹ | ● / ● | ● / ● |
| FEATURES | | |
| Suitable for ducted operation/recirculating ² | ● / ● | ● / ● |
| Power levels | 3 + 1 Intensive | 3 + 1 Intensive |
| Lighting | 2 x LED lights | 2 x LED lights |
| Type of control | Touch Control | Touch Control |
| PERFORMANCE / TECHNICAL INFORMATION | | |
| Energy Rating | A | A |
| Appliance width mm | 900 | 600 |
| Extraction Rate in m ³ /h ^{3,4} | | |
| Power level 3 ducted / recirculating | 389 / 308 | 410 / 312 |
| Intensive level 1 ducted / recirculating | 642 / 372 | 644 / 372 |
| Intensive level 2 ducted / recirculating | | |
| Noise level (sound power) based on dB(A) re 1 pW ^{3,5} | | |
| Power level 3 ducted / recirculating | 61 / 71 | 62 / 72 |
| Intensive level 1 ducted / recirculating | 70 / 75 | 70 / 75 |
| Intensive level 2 ducted / recirculating | 150 / 120 | 150 / 120 |
| Pipe outlet diameter mm | 550 / 650 | 550 / 650 |
| Minimum distance above an electric hob / gas hob ⁶ mm | 550 / 650 | 550 / 650 |
| GB plug | ● | ● |

Pyramid Chimney Hoods



| FEATURES | | | |
|--|----------------|----------------|----------------|
| Suitable for ducted operation/recirculating | ● / ● | ● / ● | ● / ● |
| Electronic power level display | | | |
| Power levels | 3 | 3 | 3 |
| NEFF Fresh Air (Interval operation) | | | |
| Automatic after running minutes | | | |
| Lighting | 2 x LED lights | 2 x LED lights | 2 x LED lights |
| Softlight with dimmer function | | | |
| Number of metal grease filter cassettes | 2 | 2 | 2 |
| Type of control | Push Buttons | Push Buttons | Push Buttons |
| PERFORMANCE / TECHNICAL INFORMATION | | | |
| Energy Rating | D | D | D |
| Appliance width mm | 900 | 750 | 600 |
| Extraction Rate in m ³ /h ^{3,4} | | | |
| Power level 1 ducted / recirculating | 198 / 129 | 198 / 129 | 198 / 127 |
| Power level 2 ducted / recirculating | 263 / 174 | 263 / 174 | 263 / 171 |
| Power level 3 ducted / recirculating | 365 / 213 | 365 / 213 | 365 / 211 |
| Noise level (sound power) based on dB(A) re 1 pW ^{3,5} | | | |
| Power level 1 ducted / recirculating | 50 / 56 | 50 / 56 | 50 / 55 |
| Power level 2 ducted / recirculating | 57 / 62 | 57 / 62 | 58 / 62 |
| Power level 3 ducted / recirculating | 65 / 67 | 65 / 67 | 66 / 67 |
| Pipe outlet diameter mm | 150 / 120 | 150 / 120 | 150 / 120 |
| Minimum distance above an electric hob / gas hob ⁶ mm | 550 / 650 | 550 / 650 | 550 / 650 |
| GB plug | ● | ● | ● |

Integrated Furniture Ventilation Solutions

A great fit

When cooking up a meal for friends and family the last thing you want is the noise of a hood in the background. Our integrated furniture hoods are built to operate on low noise levels while maintaining high air quality in your kitchen. Choose between telescopic and integrated hoods to find the hood that fits your kitchen, and cooking style, best.



Integrated Design Hood – Invisible design for that seamless finish

- Designed to fit neatly under an overhead unit.
- Integrated Hoods are discreet and save valuable kitchen space.
- Extra Storage Space – The hood's T-shaped design creates extra space for many large and handy items up to 10kg on each side.
- Reduced Noise: the low-noise motor makes it possible to listen to your own kitchen story.
- Your kitchen deserves the best in lighting design. Our hoods with LED Lighting not only look good, they help you focus, whatever you're cooking.



Telescopic Hood




- For a smaller kitchen where space is at a premium, these clever hoods pull out from underneath a cabinet when required.



Integrated Hood

- These hoods look like they're part of the furniture.
- Hidden behind a unit door, they simply pull out when needed.

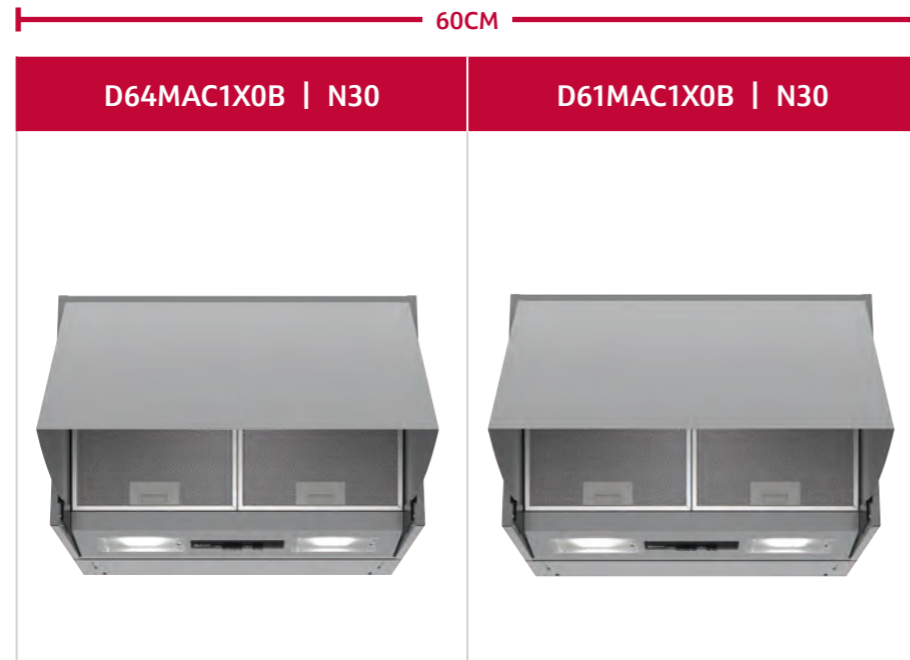
Telescopic Hoods

| | 90CM | 60CM | |
|---|------------------|---|---|
| | D49ED22N1B N50 | D46ED22N1B N50 | D46BR22N1B N30 |
| • Efficient Drive Motor • Automatic After Run | | • Efficient Drive Motor • Automatic After Run | |
|  | |  |  |

| SPECIAL FEATURES | | | |
|---|-----------------|-----------------|----------------|
| Intensive setting / Automatic intensive revert ¹ | ●/● | ●/● | |
| Efficient Drive | ● | ● | |
| FEATURES | | | |
| Suitable for ducted operation / recirculating ² | ●/● | ●/● | ●/● |
| Furniture door required | ● | ● | ● |
| Automatic after running minutes | 10 | 10 | |
| Lighting | 3 x LED lights | 2 x LED lights | 2 x LED lights |
| Controls | Soft touch | Soft touch | Rocker switch |
| Power levels | 3 + 1 Intensive | 3 + 1 Intensive | 3 |
| PERFORMANCE / TECHNICAL INFORMATION | | | |
| Energy | A | A | B |
| Appliance width mm | 898 | 598 | 598 |
| Extraction Rate in m³/h^{3,4} | | | |
| Ducted power level 3 / recirculating power level 3 | 266 / 166 | 271 / 174 | 387 / 195 |
| Intensive level 1 - ducted / recirculating | 412 / 178 | 405 / 189 | |
| Noise level (sound power) based on dB(A) re 1 pW^{3,5} | | | |
| Ducted power level 3 / recirculating power level 3 | 63 / 70 | 62 / 70 | 67 / 74 |
| Intensive level 1 - ducted / recirculating | 70 / 71 | 69 / 72 | |
| Pipe outlet diameter mm | 150 / 120 | 150 / 120 | 150 / 120 |
| Minimum distance above an electric hob / gas hob ⁶ mm | 430 / 650 | 430 / 650 | 430 / 650 |
| GB plug | ● | ● | ● |

¹Power automatically reverts back to normal setting after intensive. ²A type of recirculating kit is required if recirculating. ³Air Flow and noise declarations made in line with CECEC Code of Conduct. ⁴Measured according to EN61591 on largest pipe diameter. ⁵Sound power measured according to EN60704-3 on largest pipe diameter. ⁶From top of pan supports. Depending on the model, a 'Recirculating odour filter kit' will consist of the following items: Charcoal filter, flexible hose, air duct, fixing components, installation instructions.

Integrated Hoods



| FEATURES | | |
|--|----------------|----------------|
| Suitable for ducted operation / recirculating ² | ● / ● | ● / ● |
| Furniture door required | ● | ● |
| Lighting | 2 x LED lights | 2 x LED lights |
| Controls | Push buttons | Push buttons |
| Power levels | 3 | 3 |
| Number of metal grease filter cassettes | 2 | 2 |
| PERFORMANCE / TECHNICAL INFORMATION | | |
| Energy | B | D |
| Appliance width mm | 599 | 599 |
| Extraction Rate in m³/h ^{3,4} | | |
| Ducted power level 1 / recirculating power level 1 | 256 / 208 | 240 / 224 |
| Ducted power level 2 / recirculating power level 2 | 352 / 320 | 288 / 256 |
| Ducted power level 3 / recirculating power level 3 | 625 / 416 | 368 / 272 |
| Noise level (sound power) based on dB(A) re 1 pW ^{3,5} | | |
| Ducted power level 1 / recirculating power level 1 | 49 / 57 | 52 / 64 |
| Ducted power level 2 / recirculating power level 2 | 56 / 68 | 56 / 67 |
| Ducted power level 3 / recirculating power level 3 | 70 / 75 | 62 / 68 |
| Pipe outlet diameter mm | 150 / 120 | 150 / 120 |
| Minimum distance above an electric hob / gas hob ⁶ mm | 500 / 650 | 500 / 650 |
| GB plug | ● | ● |

Integrated Design Hoods



| SPECIAL FEATURES | | |
|--|-----------------|-----------------|
| Storage Space | 10kg each side | 10kg each side |
| Intensive setting / Automatic intensive revert ¹ | ● / ● | ● / ● |
| FEATURES | | |
| Suitable for ducted operation / recirculating | ● / ● | ● / ● |
| Power levels | 3 + 1 Intensive | 3 + 1 Intensive |
| Lighting | 2 x LED lights | 2 x LED lights |
| Type of control | Touch Control | Touch Control |
| PERFORMANCE / TECHNICAL INFORMATION | | |
| Energy | B | B |
| Appliance width mm | 897 | 597 |
| Extraction Rate in m³/h ^{3,4} | | |
| Power level 3 - ducted / recirculating | 460 / 451 | 460 / 451 |
| Intensive level 1 - ducted / recirculating | 749 / 652 | 749 / 652 |
| Noise level (sound power) based on dB(A) re 1 pW ^{3,5} | | |
| Power level 3 - ducted / recirculating | 63 / 67 | 63 / 67 |
| Intensive level 1 - ducted / recirculating | 73 / 74 | 73 / 74 |
| Pipe outlet diameter mm | 150 / 120 | 150 / 120 |
| Minimum distance above an electric hob / gas hob ⁶ mm | 430 / 650 | 430 / 650 |
| GB plug | ● | ● |

¹Power automatically reverts back to normal setting after intensive. ²A type of recirculating kit is required if recirculating. ³Air Flow and noise declarations made in line with CECEC Code of Conduct. ⁴Measured according to EN61591 on largest pipe diameter. ⁵Sound power measured according to EN60704-3 on largest pipe diameter. ⁶From top of pan supports. Depending on the model, a 'Recirculating odour filter kit' will consist of the following items: Charcoal filter, flexible hose, air duct, fixing components, installation instructions.

Island Hood Ranges

| CEILING HOODS | | | | | | |
|----------------------|--------|---|----------------------------------|--------------|------------------------|--------------|
| Width | Series | Description | Hob Hood Control /Remote Control | Home Connect | Colour | Model Number |
| 90cm | N50 | 90 x 50cm, LED lights. | ● / ● | ✓ | Stainless steel | I95CAQ6N0B |
| WORKTOP INSTALLATION | | | | | | |
| 90cm | N90 | New Guided Air, Climate Control Sensor, touch control, remote mountable motor up to 3m, with Ambient Light. | ● / | ✓ | Black with clear glass | I98WMM1S7B |
| 80cm | N90 | New Guided Air, Climate Control Sensor, touch control, remote mountable motor up to 3m, with Ambient Light. | ● / | ✓ | Black with clear glass | I88WMM1S7B |

Wall Mounted Hood Ranges

| ANGLED GLASS CHIMNEY HOODS | | | | | | |
|----------------------------|--------|--|----------------------------------|--------------|---------------------------------------|--------------|
| Width | Series | Description | Hob Hood Control /Remote Control | Home Connect | Colour | Model Number |
| 90cm | N90 | Touch Control with illuminated sensors, Ambient light, Climate Control Sensor, LED Lights. | ● / ● | ✓ | Black Glass & Stainless steel chimney | D98IPT2S0B |
| 90cm | N70 | Touch Control, LED Lights. | ● / ● | ✓ | Black Glass & Stainless steel chimney | D88IAN2S0B |
| 80cm | N50 | Single Pane Angled Glass Chimney Hood, SoftTouch Control, LED Lights. | ● / ● | ✓ | Black Glass & Stainless steel control | D85IFN1S0B |
| 80cm | N30 | Angled Chimney Hood, Touch Control, LED Lights. | ● / ● | ✓ | Black Glass & Stainless steel control | D83IDK1S0B |
| 60cm | N50 | Touch Control, LED Lights. | ● / ● | ✓ | Black Glass & Black Chimney | D65IFN1S0B |
| 60cm | N30 | 60cm, Angled Chimney Hood, Touch Control, LED Lights. | ● / ● | ✓ | Black Glass & Stainless steel control | D63IDK1S0B |
| BOX CHIMNEY HOODS | | | | | | |
| 90cm | N70 | Inlay Box Design, Touch Control, 3 speed + 2 intensive, LED lights. | | | Stainless steel | D95BMP5N0B |
| 90cm | N50 | Inlay Box Design, 3 speed + intensive, electronic, Touch Control, LED lights. | | | Black Glass | D94BHM1S5B |
| 90cm | N50 | Inlay Box Design, 3 speed + intensive, electronic, Touch Control, LED lights. | | | Stainless steel | D94BHM1N0B |
| 90cm | N30 | Box Design, 3 speed, push buttons, LED lights. | | | Black Glass | D92BBC0S0B |
| 60cm | N70 | Inlay Box Design, Touch Control, 3 speed + 2 intensive, LED lights. | | | Stainless steel | D65BMP5N0B |
| 60cm | N50 | Inlay Box Design, 3 speed + intensive, electronic, Touch Control, LED lights. | | | Stainless steel | D64BHM1N0B |
| 60cm | N30 | Box Design, 3 speed, push buttons, LED lights. | | | Stainless steel | D62BBC0N0B |
| 60cm | N30 | Box Design, 3 speed, push buttons, LED lights. | | | Black Glass | D62BBC0S0B |
| SLIM PYRAMID CHIMNEY HOODS | | | | | | |
| 90cm | N50 | 3 speed + intensive, electronic, Touch Control, LED lights. | | | Stainless steel | D94QFM1N0B |
| 60cm | N50 | 3 speed + intensive, electronic, Touch Control, LED lights. | | | Stainless steel | D64QFM1N0B |
| PYRAMID CHIMNEY HOODS | | | | | | |
| 90cm | N30 | 3 speed, LED lights. | | | Stainless steel | D92PBC0N0B |
| 75cm | N30 | 3 speed, LED lights. | | | Stainless steel | D72PBC0N0B |
| 60cm | N30 | 3 speed, LED lights. | | | Stainless steel | D62PBC0N0B |

Integrated Hood Ranges

| TELESCOPIC HOODS | | | | | | |
|-------------------------|--------|---|----------------------------------|--------------|-----------------------------------|--------------|
| Width | Series | Description | Hob Hood Control /Remote Control | Home Connect | Colour | Model Number |
| 90cm | N50 | 3 speed + 1 Intensive, Easy Electronic Controls, LED lights. | | | Stainless Steel | D49ED22N1B |
| 60cm | N50 | 3 speed + 1 Intensive, Easy Electronic Controls, LED lights. | | | Stainless Steel | D46ED22N1B |
| 60cm | N30 | 3 speed, Rocker Switch Controls, LED lights. | | | Metallic silver | D46BR22N1B |
| CANOPY HOODS | | | | | | |
| 86cm | N70 | 3 speed + intensive, 2 x LED lights, Push Button | | | Black | D86NAC1S0B |
| 73cm | N30 | 3 speeds + intensive, LED lights. | | | Metallic silver | D5855X1GB |
| 70cm | N70 | Rim Ventilation Design, 3 speed + intensive, electronic, LED lights. | | | Stainless steel | D75NAC1S0B |
| 53cm | N30 | 3 speeds + intensive, LED lights. | | | Metallic silver | D5655X1GB |
| 53cm | N30 | 3 speed, LED lights, Quick fix system, Slider switch. | | | Metallic silver | D51NAA1C0B |
| 52cm | N70 | Rim Ventilation Design, 3 speed + intensive, electronic, LED lights. | | | Stainless steel | D54NAC1S0B |
| INTEGRATED HOODS | | | | | | |
| 60cm | N30 | 3 speed, push buttons, LED lights, high extraction rate. | | | Metallic silver | D64MAC1X0B |
| 60cm | N30 | 3 speed, push buttons, LED lights. | | | Metallic silver | D61MAC1X0B |
| INTEGRATED DESIGN HOODS | | | | | | |
| 90cm | N70 | Flush Integrated design with fold out glass panel. LED lighting - automatic on opening glass, 3 Speed + 1 Intensive, Touch Control. | | | Black body & fold out glass panel | D95XAM2S0B |
| 60cm | N70 | | | D65XAM2S0B | | |

Hood Accessories

| Type | VIB DETAILS | PRE-SALE ACCESSORIES | | | | POST-SALES ACCESSORIES | | | | | |
|-------------------------|-------------|----------------------------|-------------------------------------|---------------------------------|---|--|--|-----------------------------------|--------------------------------------|----------------------------------|------------------------------|
| | VIB | Standard Recirculation Kit | CleanAir Standard Recirculation Kit | CleanAir Plus Recirculation Kit | CleanAir Plus Recirculation Kit (for chimless installation) | Long-Life Regenerative Recirculation Kit | Long-Life Regenerative Recirculation Kit (for chimless installation) | Standard Odour Filter Replacement | CleanAir Standard Filter Replacement | CleanAir Plus Filter Replacement | Long-Life Filter Replacement |
| Glass Draft | I88WMM1S7B | | | Z92WWI1X6 | | Z92WWJ11 | | | | Z50XXP0X0 | |
| | I98WMM1S7B | | | Z92WWI1X7 | | Z92WWJ12 | | | | | |
| Ceiling | I95CAQ6N0B | | | Z52JCC1N6 | | Z52JCD0N0 | | | | Z53XXB1X6 | |
| Angled Glass Wall Hoods | D63IDK1S0B | Z51GIU1X3 | | | | | | Z51GIA1X3 | | | |
| | D83IDK1S0B | | | | | | | | | | |
| | D65IFN1S0B | | | Z51KII1X6 | Z51KIV1X6 | | | | | Z51KIB1X6 | |
| | D85IFN1S0B | | | | | | | | | | |
| | D88IAN2S0B | | | Z51BII1X6 | Z51BIV1X6 | | Z51BIS1X1 | Z51BIR1X1 | | Z51BIB1X6 | Z51BIP1X1 |
| | D98IPT2S0B | | | | | | | | | | |
| Box Chimney | D62BBC0S0B | | | | | | | | | | |
| | D92BBC0S0B | | | | | | | | | | |
| | D94BHM1S5B | | Z51DXI1X4 | Z51DXI1X6 | | | | | Z51DXB1X4 | | |
| | D62BBC0N0B | | | | | Z51FXJ0X0 | | | | Z53XXB1X6 | |
| | D64BHM1N0B | | | | | | | | | | Z50XXP0X0 |
| | D94BHM1N0B | | | | | | | | | | |
| | D65BMP5N0B | | Z51CBI1X4 | Z51CXI1X6 | | Z51FXJ0X5 | | | Z53CXB1X4 | | |
| D95BMP5N0B | | Z51CBI2X4 | | | Z51FXJ0X5 | | | Z53CBB2X4 | | | |
| Slim Pyramid | D64QFM1N0B | | Z51DXI1X4 | Z51DXI1X6 | | Z51FXJ0X0 | | | Z51DXB1X4 | Z53XXB1X6 | Z50XXP0X0 |
| | D94QFM1N0B | | | | | | | | | | |
| Pyramid | D62PBC0N0B | | | | | | | | | | |
| | D72PBC0N0B | Z5138X5 | | | | | | Z5138X1 | | | |
| | D92PBC0N0B | | | | | | | | | | |
| Integrated Design | D65XAM2S0B | | Z51IBI6X4 | Z51IXC1X6 | | Z51ITD1X1 | | | Z51IBB6X4 | Z51IXB1X6 | Z51ITP0X0 |
| | D95XAM2S0B | | | | | | | | | | |
| Telescopic | D46BR22N1B | | | | | | | | | | |
| | D46ED22N1B | | Z51IT11X4 | | | | | | Z51ITB1X4 | | |
| | D49ED22N1B | | | | | | | | | | |
| Canopy | D51NAA1C0B | Z51INT0X0 | | | | | | Z51INA0X0 | | | |
| | D86NAC1S0B | | | | | | | | | | |
| | D75NAC1S0B | Z5135X3 | | Z51IXC1X6 | | Z51ITD1X1 | | Z5135X1 | | Z51IXB1X6 | Z51ITP0X0 |
| | D54NAC1S0B | | | | | | | | | | |
| | D5655X1GB | | Z5155X0 | | | | | | Z5155X0 | | |
| | D5855X1GB | | | | | | | | | | |
| Integrated Hoods | D61MAC1X0B | Z51IMA0X0 | | | | | | | Z51IMA0X0 | | |
| | D64MAC1X0B | | | | | | | | | | |

THE NEFF OVEN COLLECTIONS

HOBS

VENTILATION

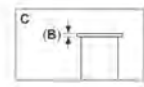
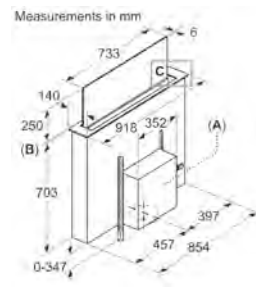
REFRIGERATION

DISHWASHING

LAUNDRY

Worktop Installation Hoods

90CM I98WMM1S7B



A: Installation of motor unit on front/rear or offset laterally with max. 3 m clearance (special accessory required)

Motor unit must always be accessible

B: 5.5 mm

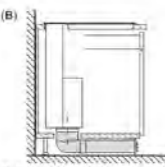


A: Worktop overhang protruding beyond unit carcass
Combination with gas hob is not possible
To prevent power loss, observe the following:

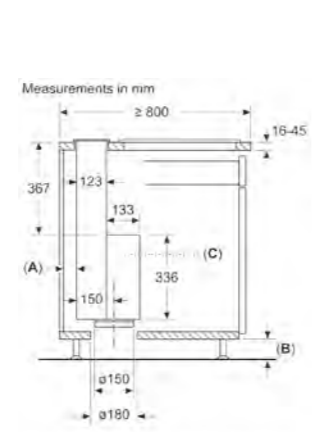
- Do not install upper cabinets above the appliance
- Clearance of open shelf elements above the appliance min. 650 mm (recommended)
- Left/right clearance between appliance and wall/adjacent upper cabinet min. 500 mm
- Clearance between appliance frame and wall min. 50 mm



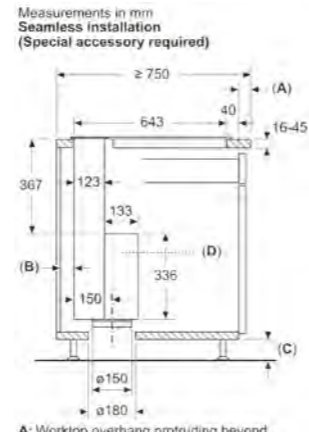
A: Exterior wall - U-value $\le 0.5 W/(m^2K)$
Standard installation. Partially laid around the hob kick.



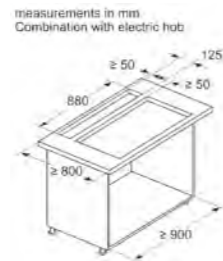
B: Exterior wall - U-value $> 0.5 W/(m^2K)$
Installation with fully laid pipework in the kick for poorly insulated exterior walls or above cold floors.



A: ≥ 20 mm between the Guided Air suction area and a cabinet wall
B: ≥ 60 mm for air recirculation
 ≥ 100 mm for air extraction with ducting in the plinth
C: Motor unit must always be accessible



A: Worktop overhang protruding beyond unit carcass
B: ≥ 20 mm between the Guided Air suction area and a cabinet wall
C: ≥ 60 mm for air recirculation
 ≥ 100 mm for air extraction with ducting in the plinth
D: Motor unit must always be accessible



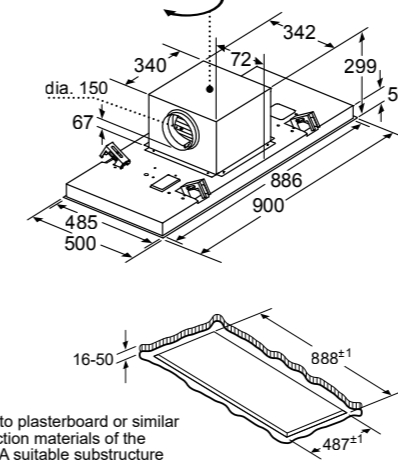
Use with gas hob not possible.
To ensure that the appliance does not lose any power, do not install any wall units above the appliance and maintain the following clearances:

- At least 50 cm to the left and right from the appliance to a wall or to an adjacent wall unit
- At least 5 cm from the appliance frame to a wall

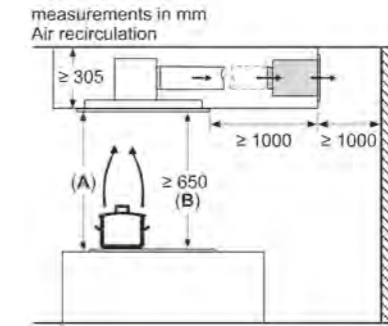
Ceiling Installation Hood

90CM I95CAQ6N0B

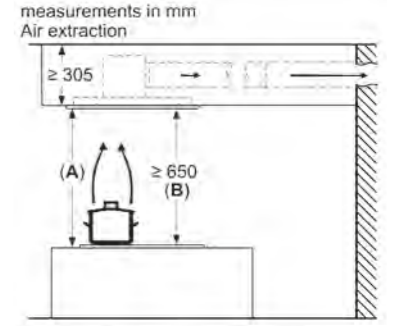
The fan outlet can be turned in all four directions



Never fit directly onto plasterboard or similar lightweight construction materials of the suspended ceiling. A suitable substructure is required that is securely fixed to the concrete ceiling.

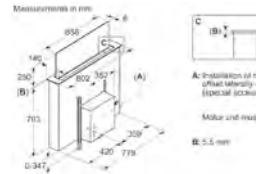


A: Optimum performance 700-1500
B: From upper edge of pan support



A: Optimum performance 700-1500
B: From upper edge of pan support

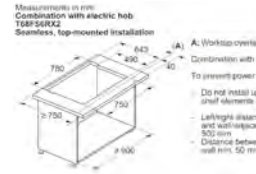
80CM I88WMM1S7B



A: Installation of motor unit on front/rear or offset laterally with max. 3 m clearance (special accessory required)

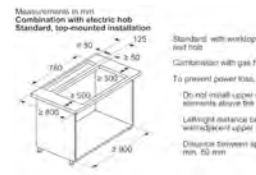
Motor unit must always be accessible

B: 5.5 mm

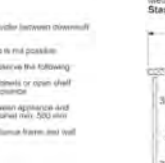


A: Worktop overhang protruding beyond unit carcass
Combination with gas hob is not possible
To prevent power loss, observe the following:

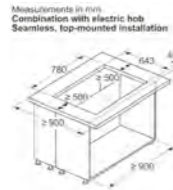
- Do not install upper cabinets or open shelf elements above the appliance
- Left/right clearance between appliance and wall/adjacent upper cabinet min. 500 mm
- Clearance between appliance frame and wall min. 50 mm



A: Exterior wall - U-value $\le 0.5 W/(m^2K)$
Standard installation. Partially laid around the hob kick.

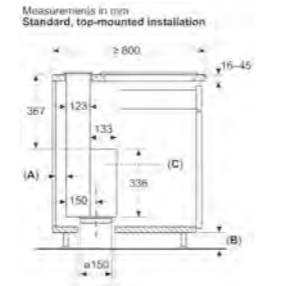
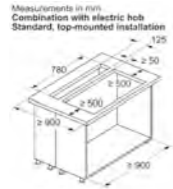


B: Exterior wall - U-value $> 0.5 W/(m^2K)$
Installation with fully laid pipework in the kick for poorly insulated exterior walls or above cold floors.

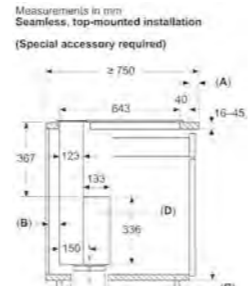


Standard with worktop divider between downdraft and hob.
Combination with gas hob is not possible.
To prevent power loss, observe the following:

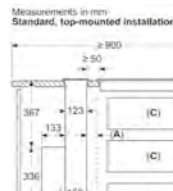
- Do not install upper cabinets or open shelf elements above the appliance
- Left/right clearance between appliance and wall/adjacent upper cabinet min. 500 mm



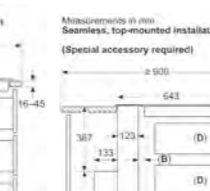
A: ≥ 20 mm between the Guided Air suction area and a cabinet wall
B: ≥ 60 mm for air recirculation
 ≥ 100 mm for air extraction with ducting in the plinth
C: Motor unit must always be accessible



A: Worktop overhang to kitchen cabinet
B: ≥ 20 mm between the Guided Air suction area and a cabinet wall
C: ≥ 60 mm for air recirculation
 ≥ 100 mm for air extraction with ducting in the plinth
D: Motor unit must always be accessible



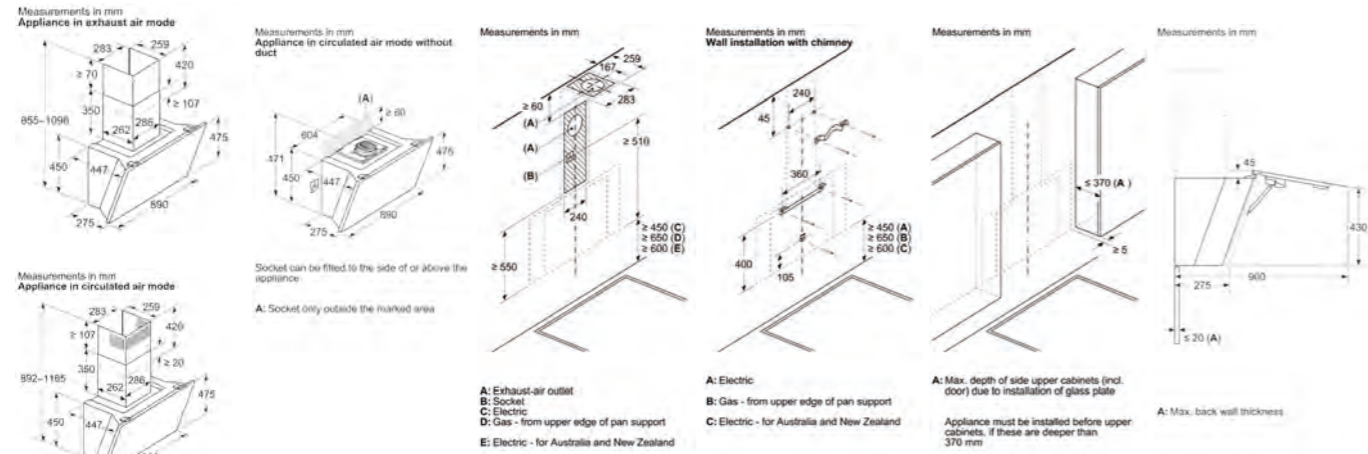
A: Ventilation gap for hob
B: ≥ 60 mm for air recirculation
C: ≥ 100 mm for air extraction with ducting in the plinth
D: Max. pull-out depth
Motor unit must always be accessible



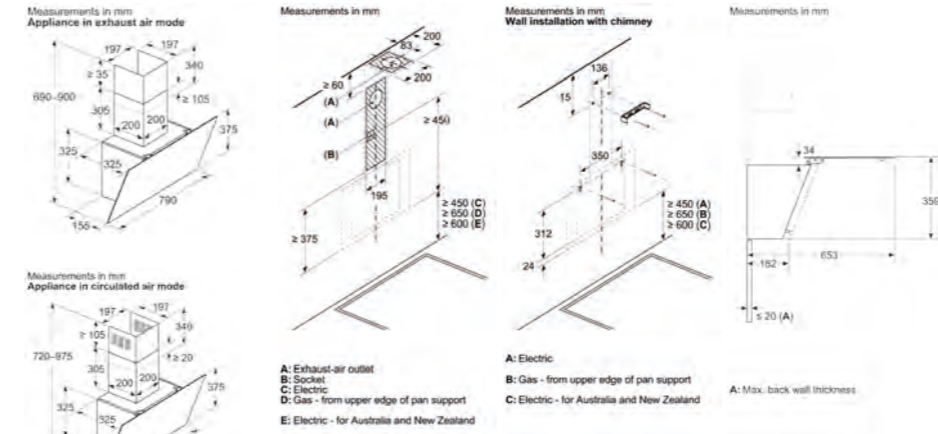
A: Worktop overhang to kitchen cabinet
B: Ventilation gap for hob
C: ≥ 60 mm for air recirculation
D: Max. pull-out depth
Motor unit must always be accessible

Wall Installation Hoods

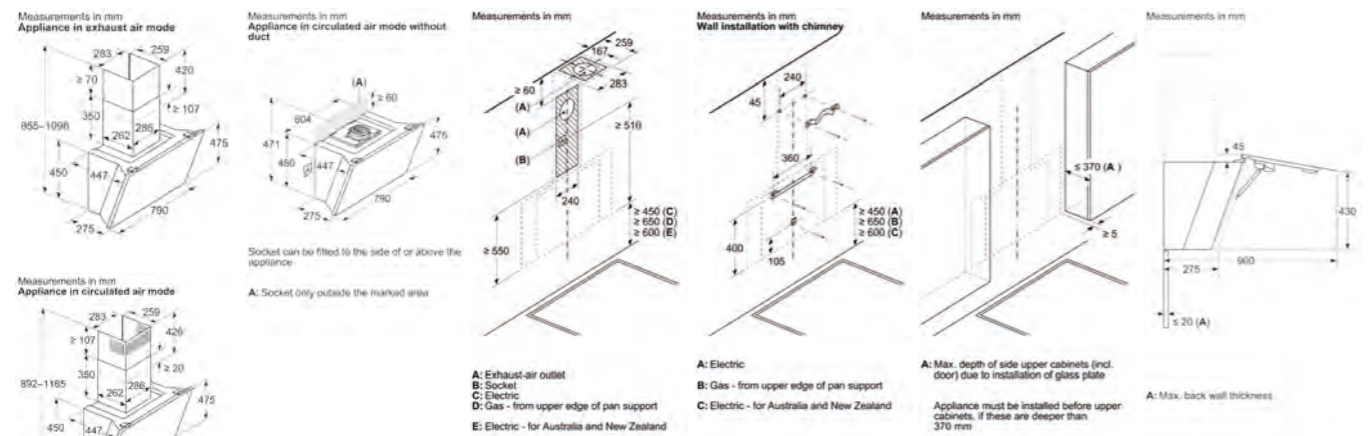
90CM D98IPT2S0B



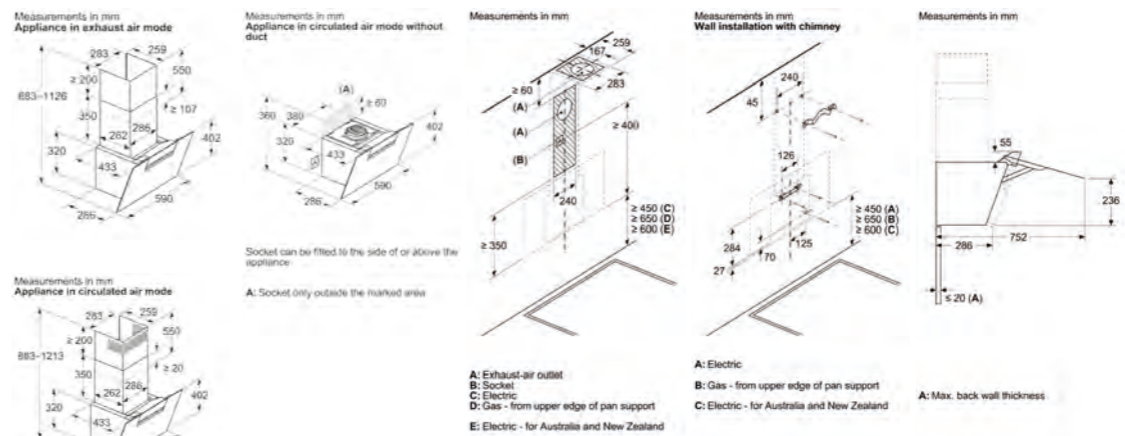
80CM D81DK1S0B



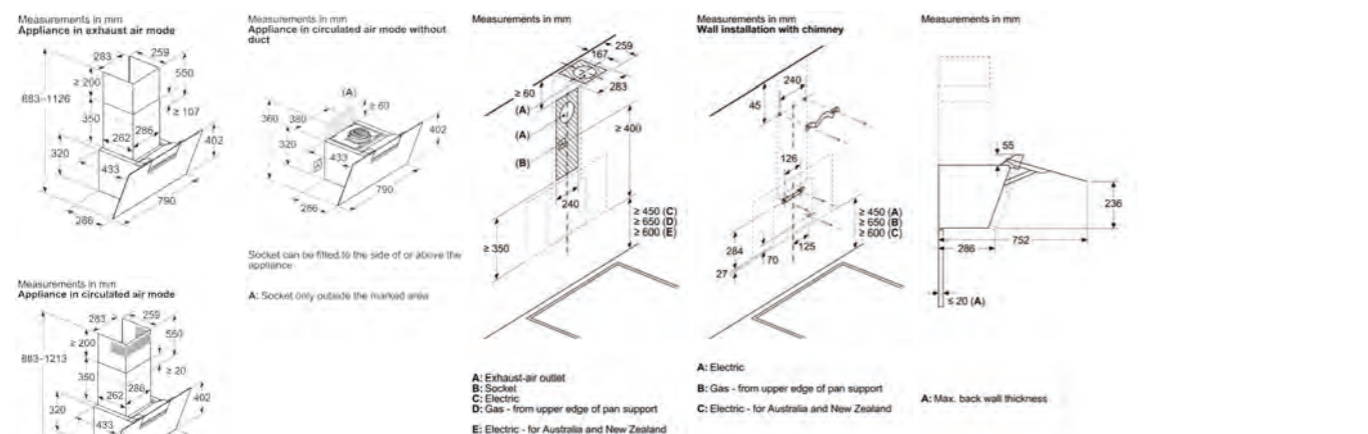
80CM D88IAN2S0B



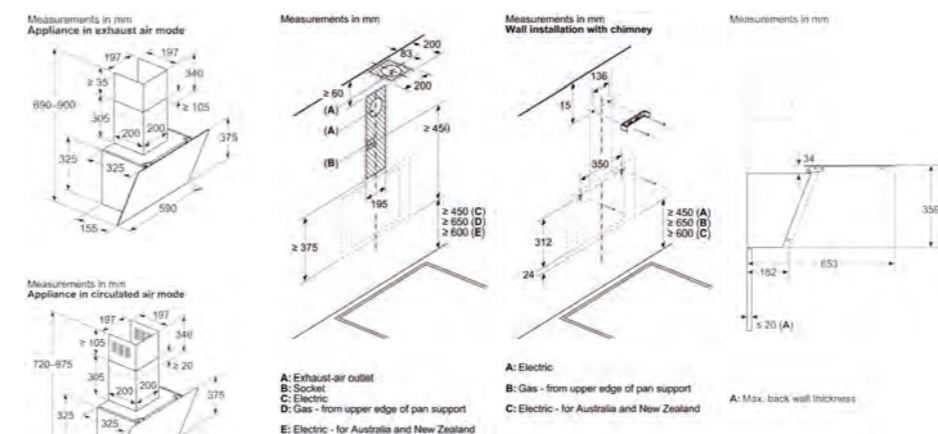
60CM D65IFN1S0B



80CM D85IFN1S0B

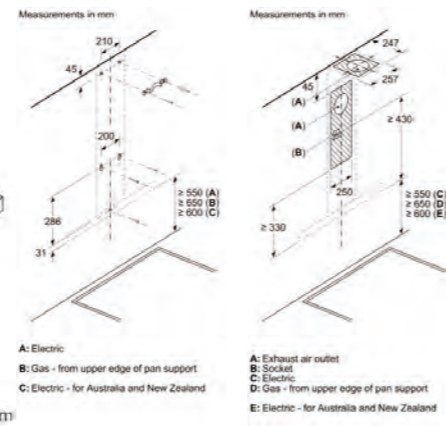
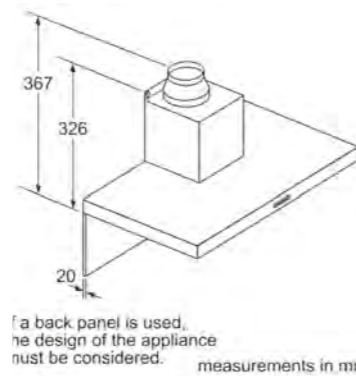
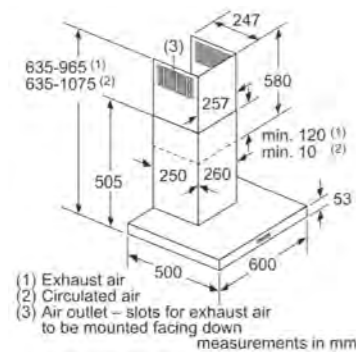


60CM D63IDK1S0B



Box Chimney Hoods

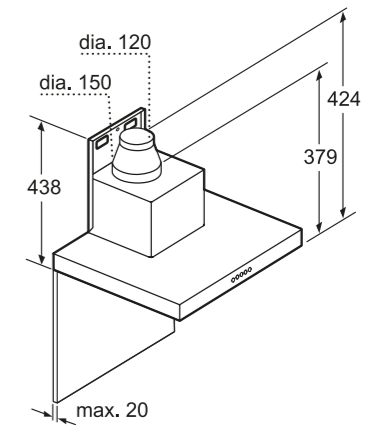
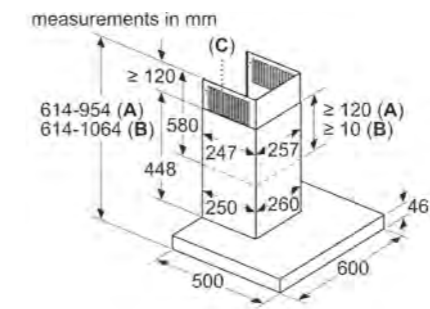
90CM D92BBC0S0B



- (1) Exhaust air
- (2) Circulated air
- (3) Air outlet – slots for exhaust air to be mounted facing down

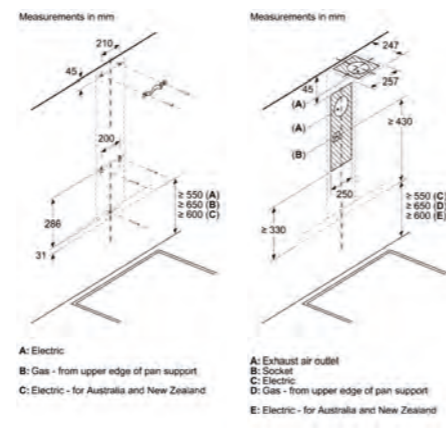
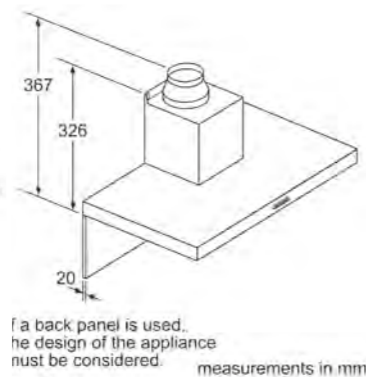
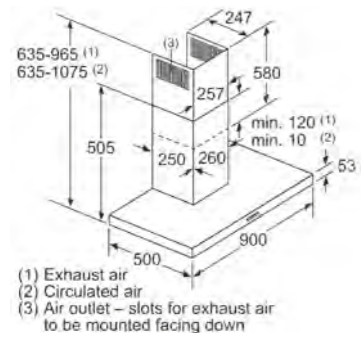
- A: Electric
- B: Gas - from upper edge of pan support
- C: Electric - for Australia and New Zealand
- D: Gas - from upper edge of pan support
- E: Electric - for Australia and New Zealand

60CM D65BMP5N0B



- A: Air extraction
- B: Air recirculation
- C: Air outlet – slots for exhaust air

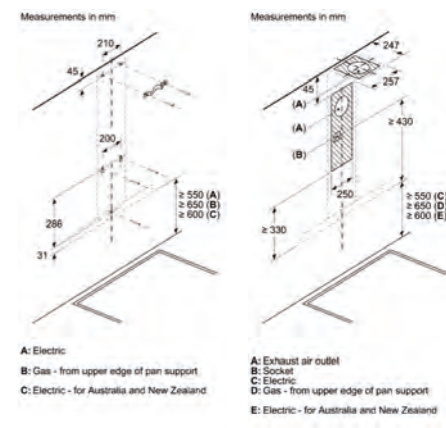
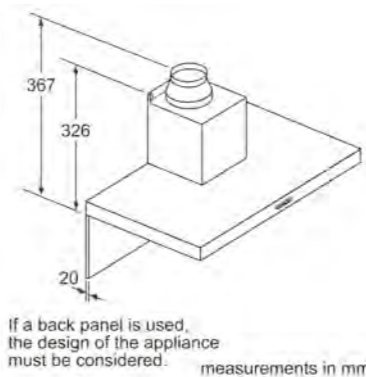
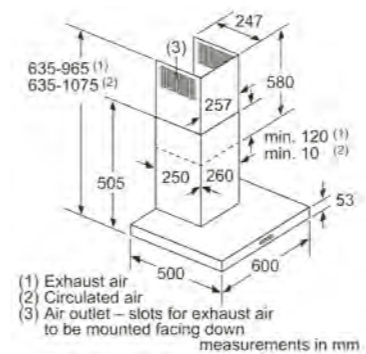
90CM D94BHM1S5B



- (1) Exhaust air
- (2) Circulated air
- (3) Air outlet – slots for exhaust air to be mounted facing down

- A: Electric
- B: Gas - from upper edge of pan support
- C: Electric - for Australia and New Zealand
- D: Gas - from upper edge of pan support
- E: Electric - for Australia and New Zealand

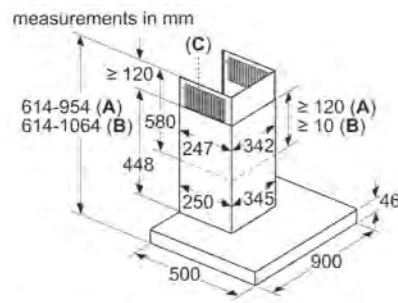
60CM D62BBC0S0B



- (1) Exhaust air
- (2) Circulated air
- (3) Air outlet – slots for exhaust air to be mounted facing down

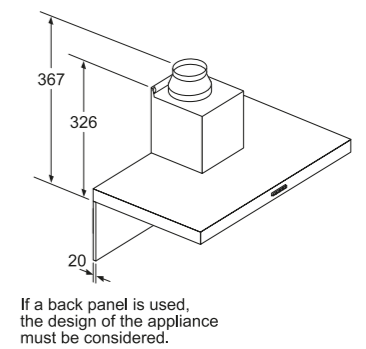
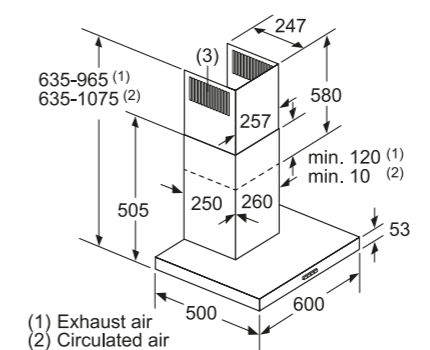
- A: Electric
- B: Gas - from upper edge of pan support
- C: Electric - for Australia and New Zealand
- D: Gas - from upper edge of pan support
- E: Electric - for Australia and New Zealand

90CM D95BMP5N0B



- A: Air extraction
- B: Air recirculation
- C: Air outlet – slots for exhaust air to be mounted facing down

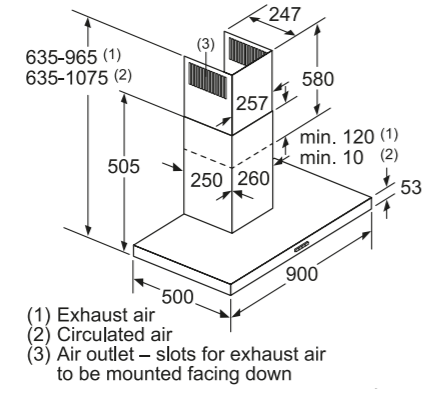
60CM D64BHM1N0B, D62BBC0N0B



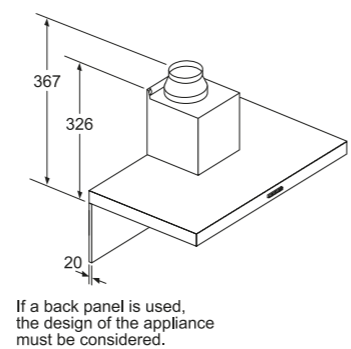
- (1) Exhaust air
- (2) Circulated air
- (3) Air outlet – slots for exhaust air to be mounted facing down

- A: Electric
- B: Gas - from upper edge of pan support
- C: Electric - for Australia and New Zealand
- D: Gas - from upper edge of pan support
- E: Electric - for Australia and New Zealand

90CM D94BHM1N0B



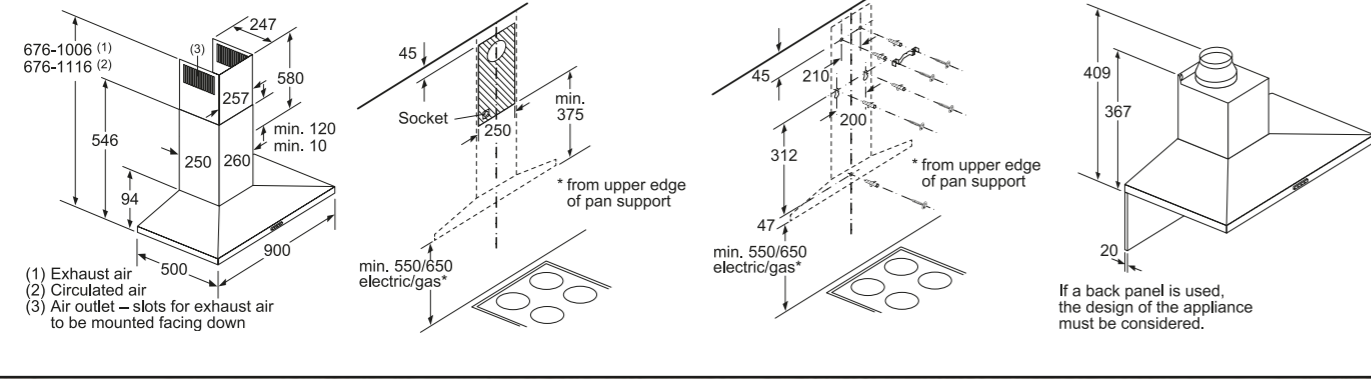
- (1) Exhaust air
- (2) Circulated air
- (3) Air outlet – slots for exhaust air to be mounted facing down



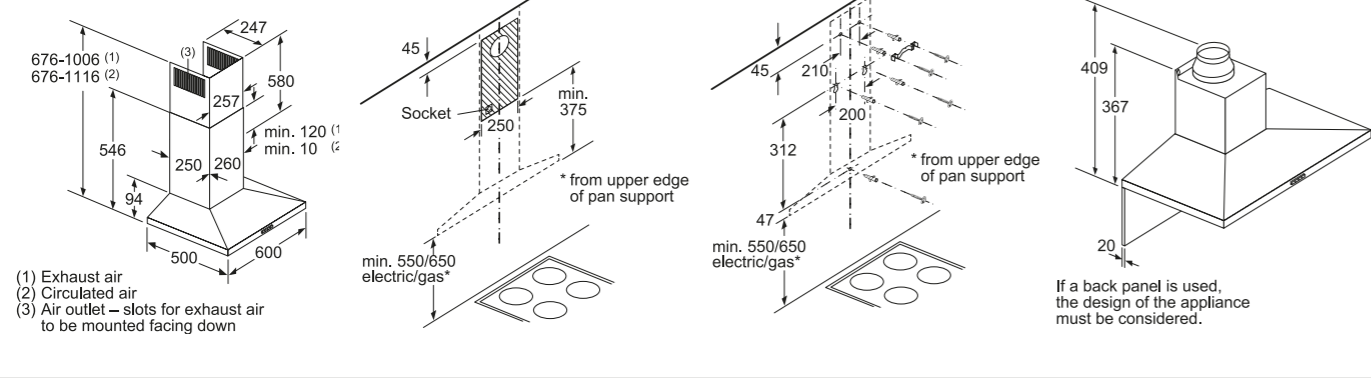
- A: Electric
- B: Gas - from upper edge of pan support
- C: Electric - for Australia and New Zealand
- D: Gas - from upper edge of pan support
- E: Electric - for Australia and New Zealand

Pyramid Chimney Hoods

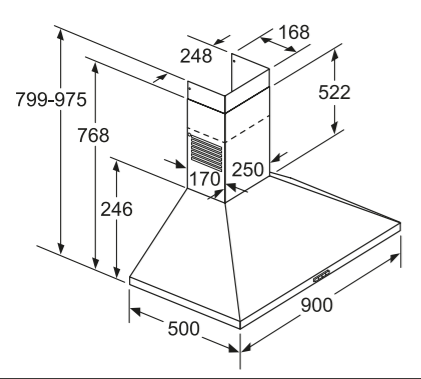
90CM D94QFM1NOB



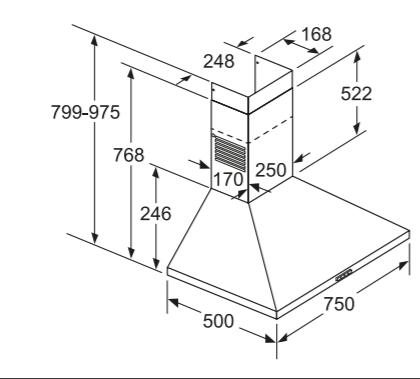
60CM D64QFM1NOB



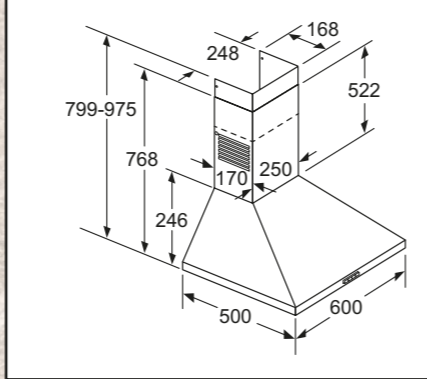
90CM D92PBC0NOB



75CM D72PBC0NOB



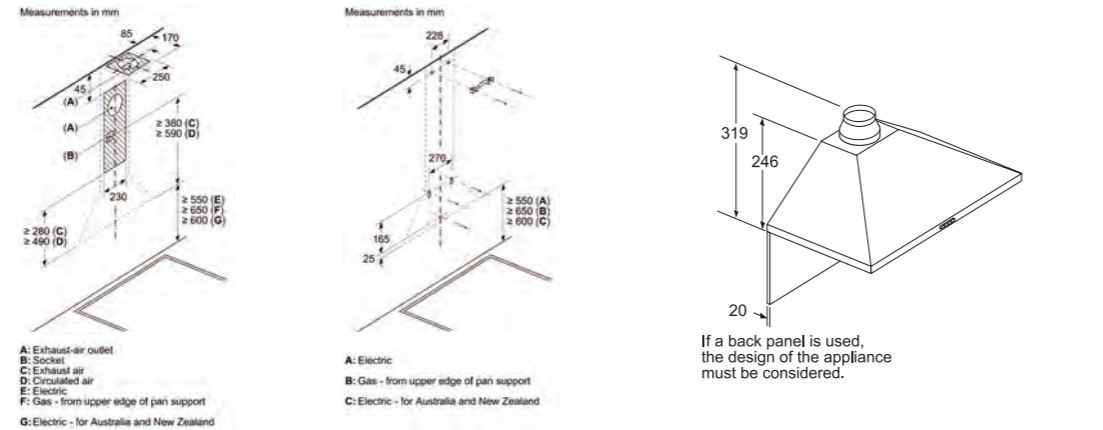
60CM D62PBC0NOB



90CM D92PBC0NOB

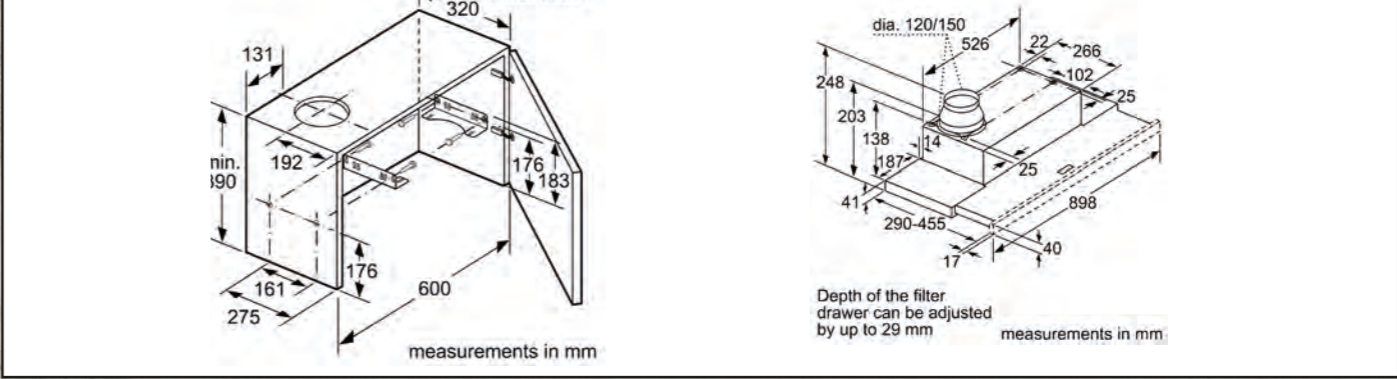
75CM D72PBC0NOB

60CM D62PBC0NOB

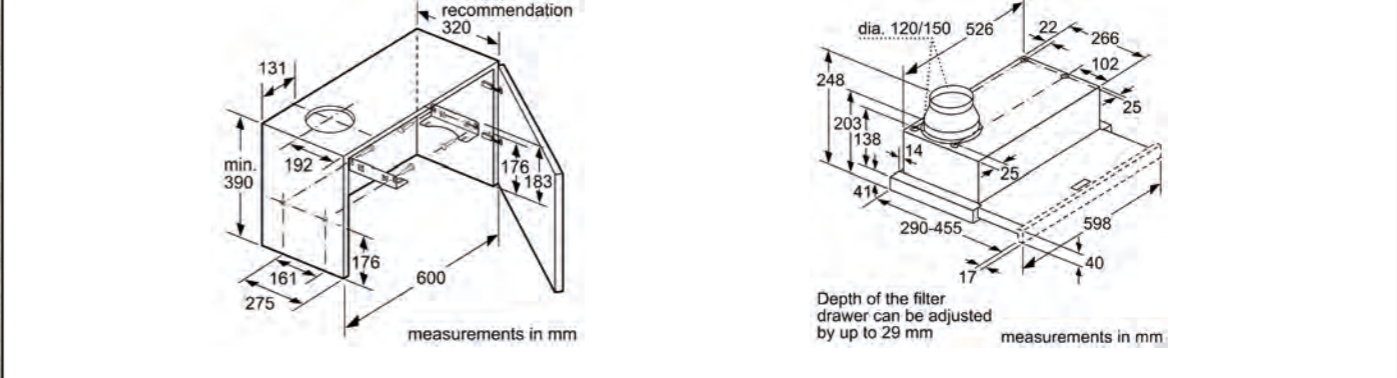


Telescopic Hoods

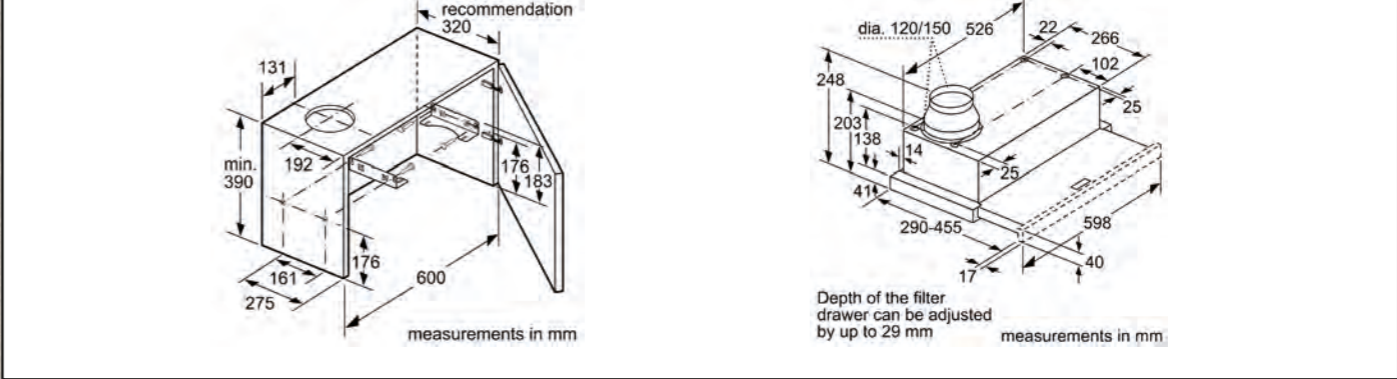
90CM D49ED22N1B



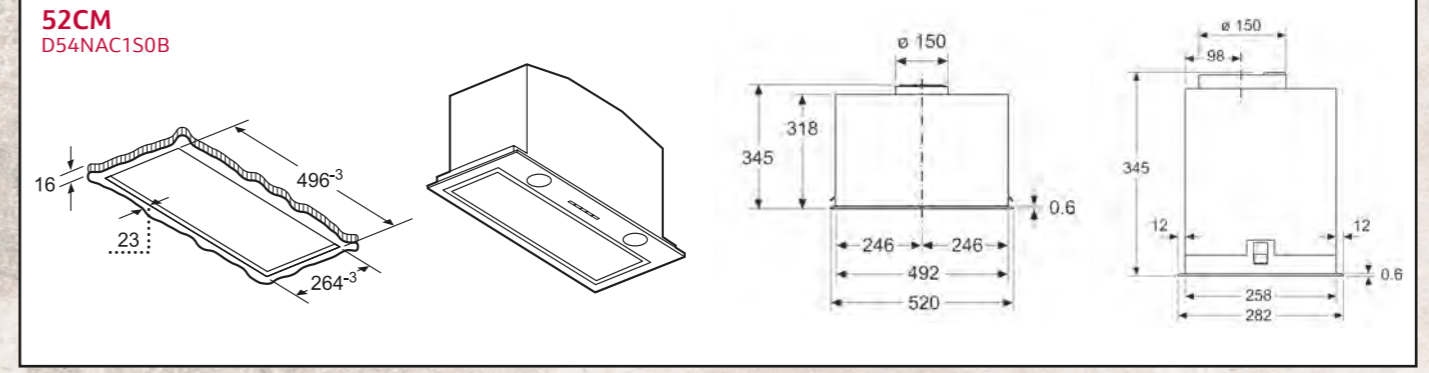
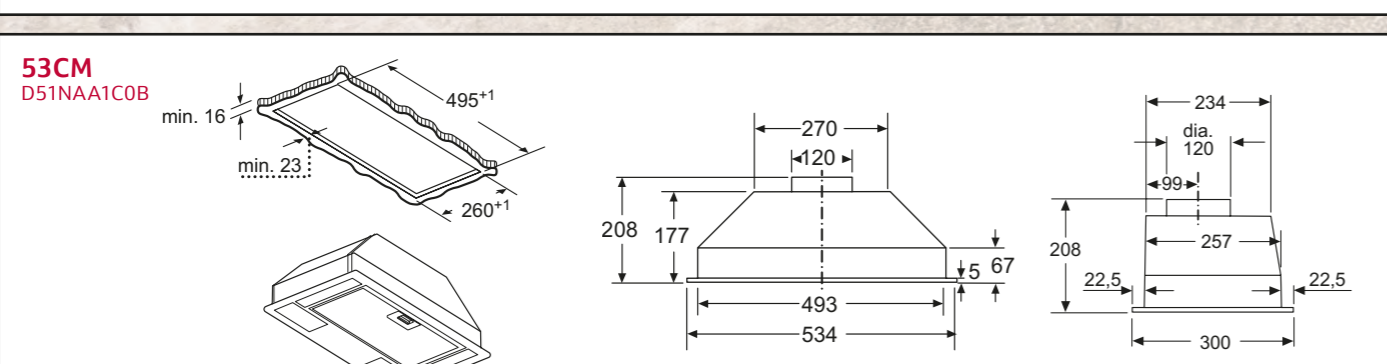
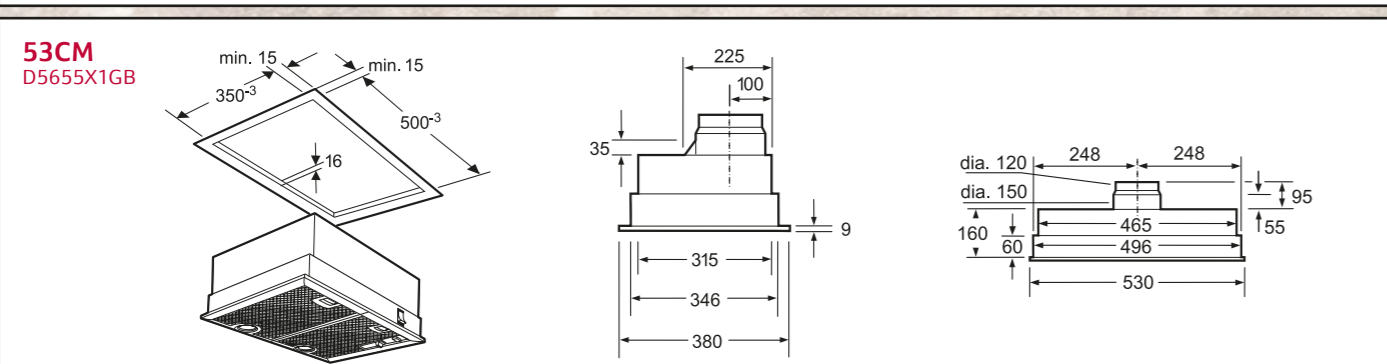
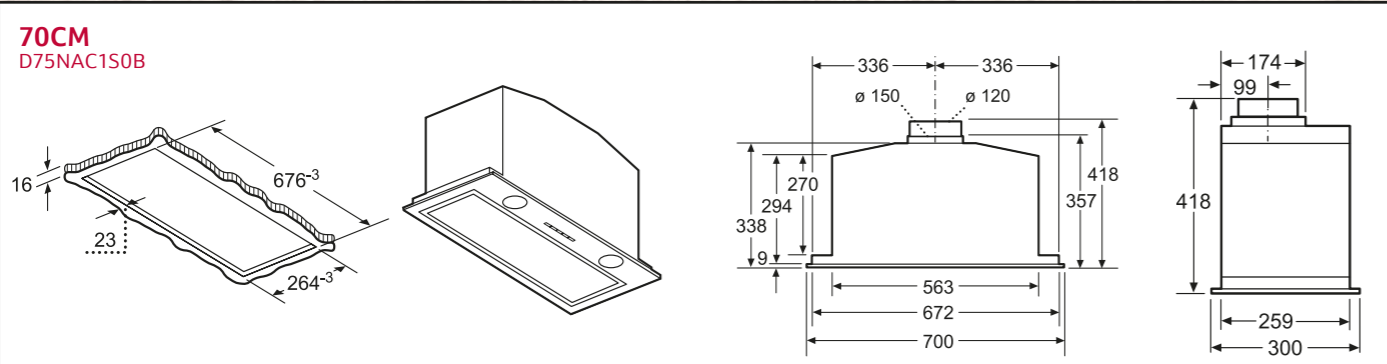
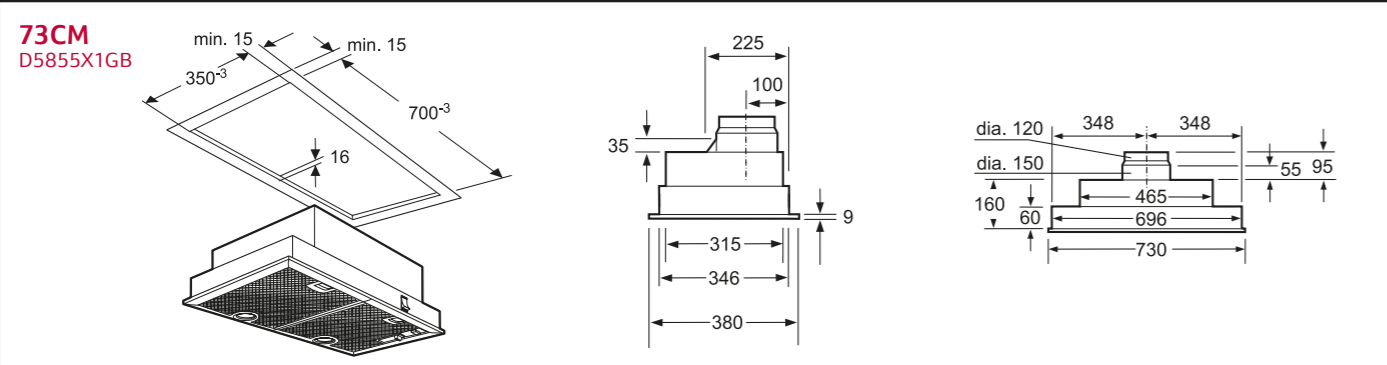
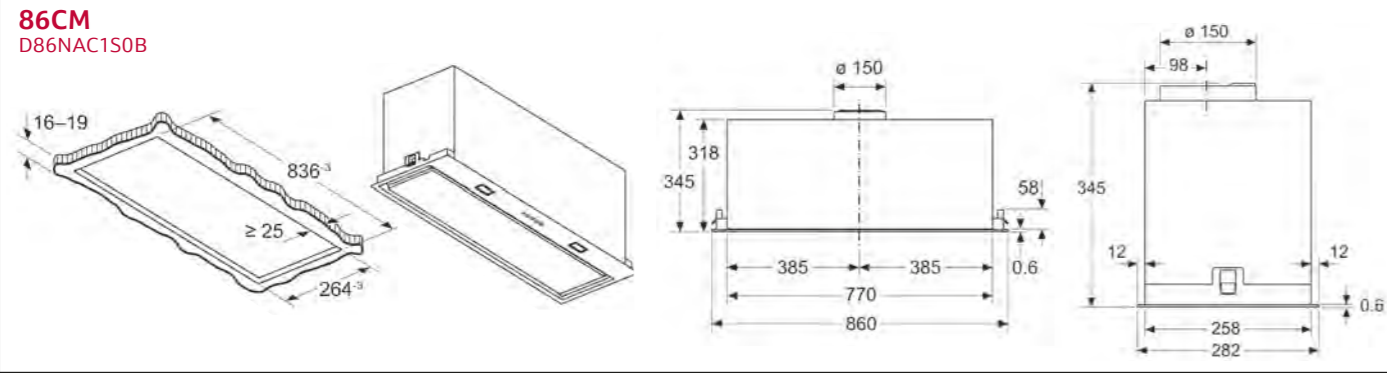
60CM D46ED22N1B



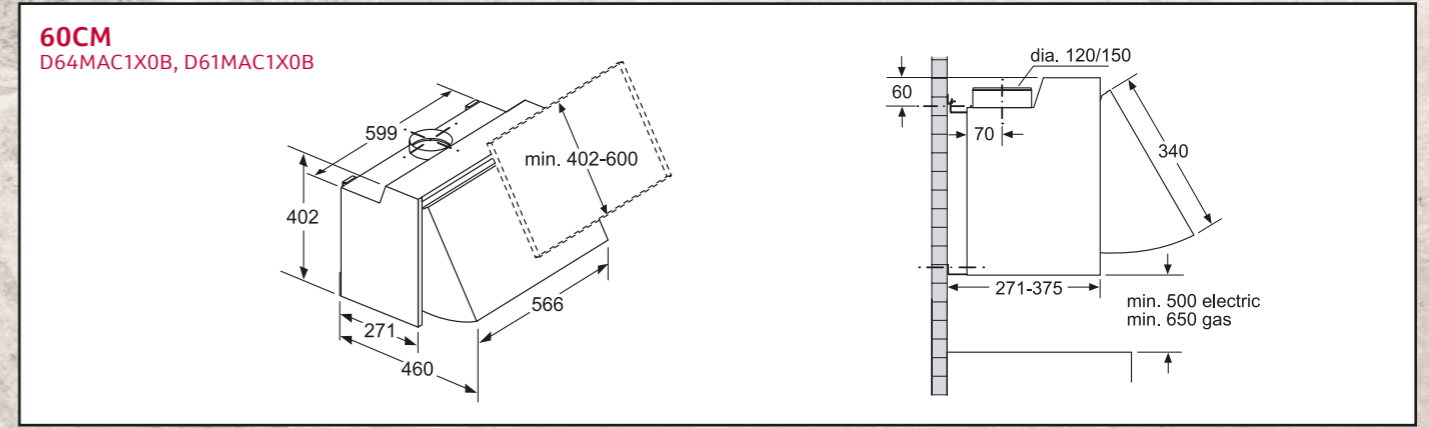
60CM D46BR22N1B



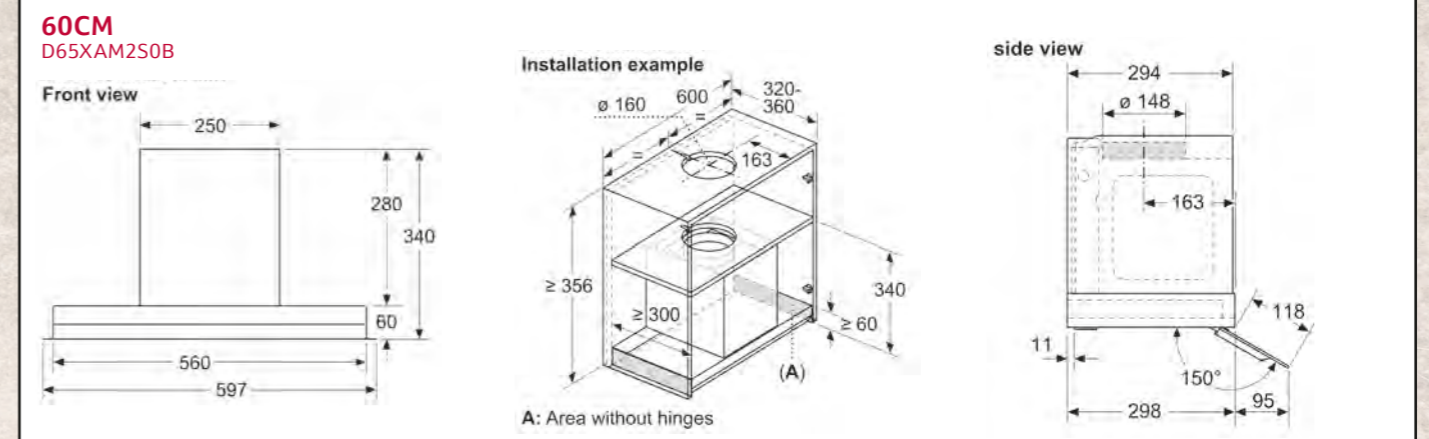
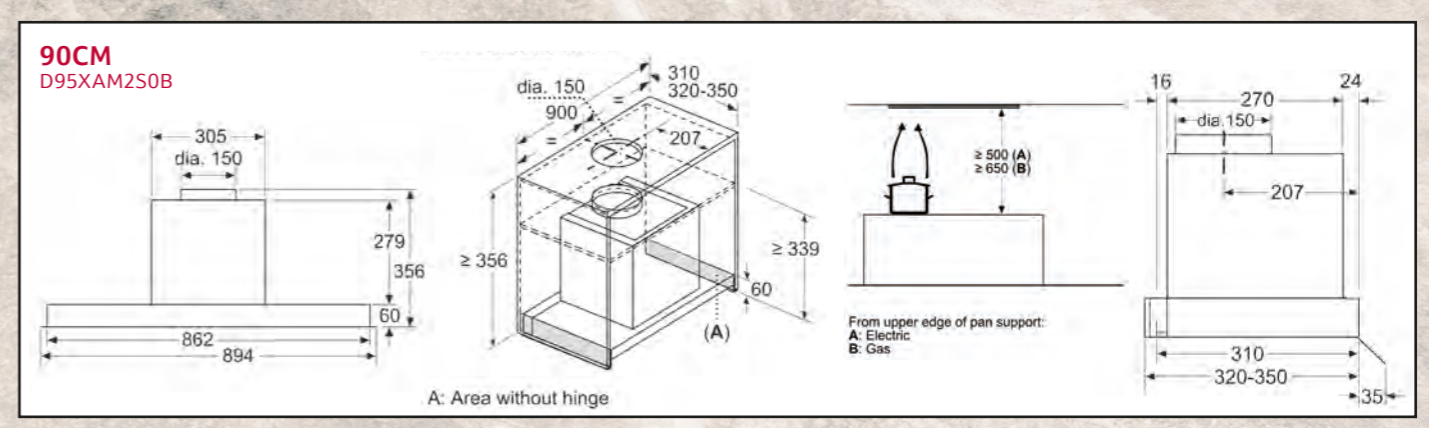
Canopy Hoods



Integrated Hoods



Integrated Design Hoods



NEFF COOLING *Range*



Let's keep it fresh

Fridges and freezers for food lovers.

- Fridges and Freezers are essential for any home chef and finding the perfect solution is easy with the NEFF Cooling Range.
- The range is comprehensive in both the features and the installation.
- NEFF's range of cooling appliances focuses on Built In integrated models with a range of Fridges/Freezers in a variety of sizes and splits, and a range of single door Fridges and Freezers. This means that a customer can choose just how much fridge and freezer space they need, whilst the range of hinges allows scope to include in a variety of kitchen designs – neatly integrated as part of the overall kitchen.
- The NEFF range is packed with features to really care for ingredients. With many key cooling features, customers have the flexibility to build exactly what they want in their kitchen.
- The range is clearly laid out in height order leading with Fridge Freezers followed by the single appliance range.
- For those who want extra capacity, the XL & XXL are the newest additions designed to cope with the largest demands.
- Many of NEFF's cooling range are covered by our **5 year warranty** – clearly marked in the matrix tables. Further warranty information can be found on NEFF Customer Service pages 190-191.

Built-In Fridge Freezer Guide

Fridge Freezers

Comprehensive range of models to suit customer needs.

- Available in two heights
 - Standard 177cm in various “splits” 70/30, 60/40, 50/50 of Fridge to Freezer.
 - The New 193.5cm tall XL & XXL range – available in a 60/40 split of Fridge to Freezer.
- Available in fixed & sliding hinge to accommodate design and kitchen furniture.
- All Fridge Freezers have a 4-star rating.

Standard | **XL** | **XXL**

Standard: 55.8 cm width, 177.2 cm height

XL: 55.8 cm width, 193.5 cm height

XXL: 70.8 cm width, 193.5 cm height

+11%
*Compared to standard size fridge

+45%
*Compared to standard size fridge

Hinge Types

Hinges to suit all kitchen designs

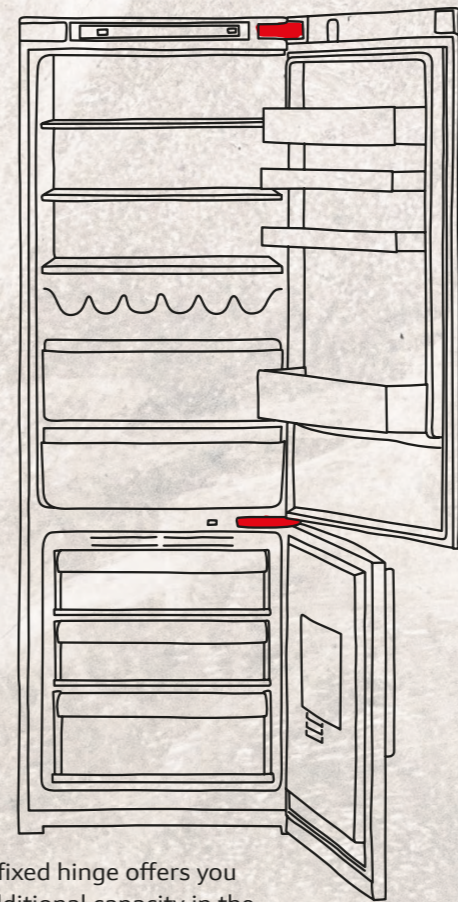
Our doors can be right-hinged or left-hinged in order to suit your kitchen design.

Fixed Hinge & Soft Close Hinge

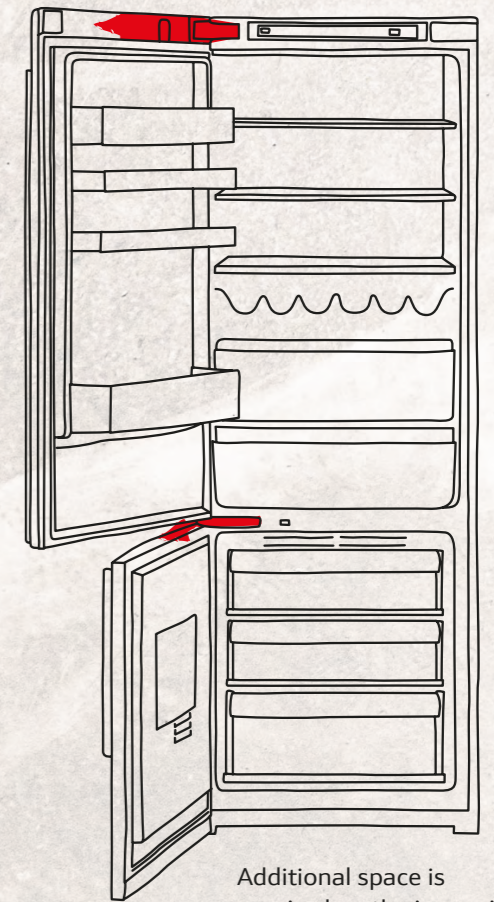
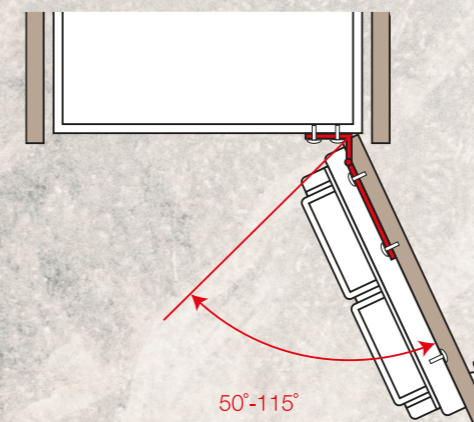
The benefit of this type of hinge is that it carries more weight – ideal for kitchen cabinetry made from heavier hard wood. This hinge also allows the door to open at a wider angle, making the fridge cavity easily accessible. All NEFF doors close automatically when at an angle of approximately 15-20° and selected models have the benefit of Soft Close.

Sliding Hinge

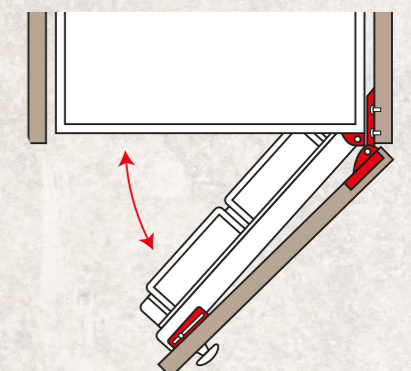
Our sliding hinge feature sits between the appliance and the furniture door and is secured by a series of brackets. As you open the furniture door, the appliance door is also opened via the sliding bracket design.



A fixed hinge offers you additional capacity in the refrigerator, leaving you more room for your food.



Additional space is required on the inner side of the cabinet to make way for the door hinge.



Built-In Single Fridge & Freezer Guide

Single Fridges & Single Freezers

For customers looking to install a single fridge and freezer this range will suit their needs.

- Available in several heights to create a bespoke cooling solution.
- Extensive installation combinations – Side by Side, Over & Under & Built Under options available.
- All appliances have a 4-star rating.



Size Guide & Installation Options

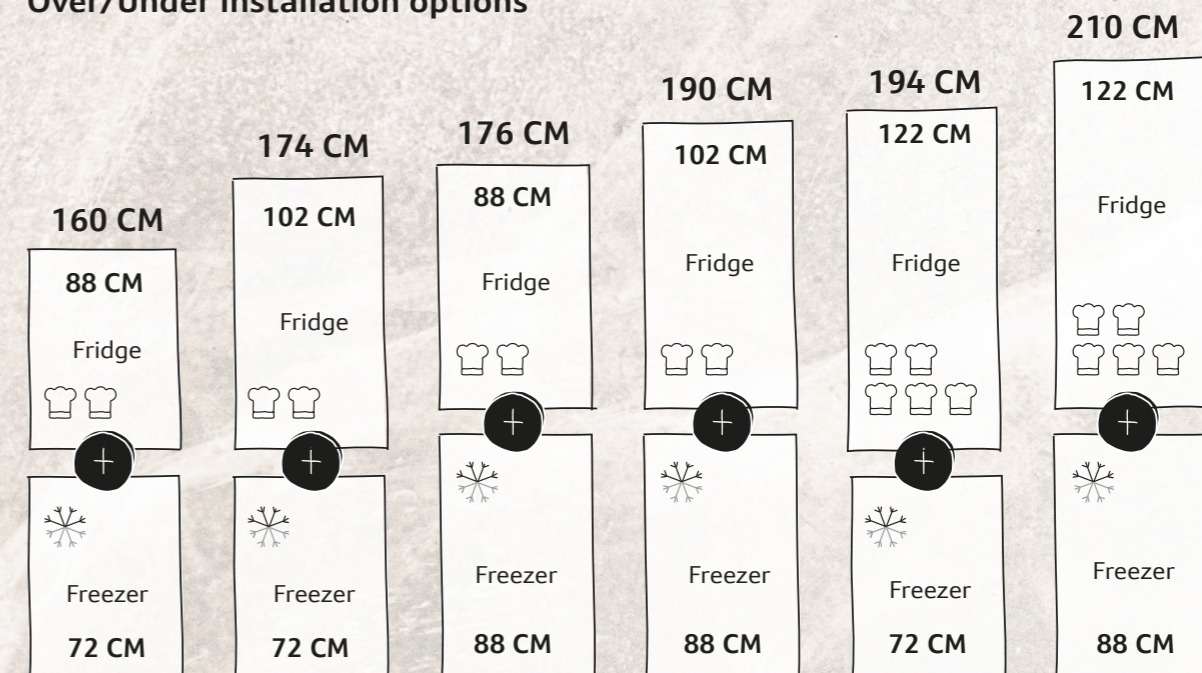
Combination and layout solutions for installing cooling appliances

With so many kitchen styles to choose from, at NEFF we've catered for all spaces and lifestyles. With the option to build a cooling solution shaped to specific requirements, our installation options are designed to offer the ultimate flexibility. From side-by-side fridge and freezer installations to over-under stacked installations, it's easy to incorporate NEFF appliances into the overall kitchen design.

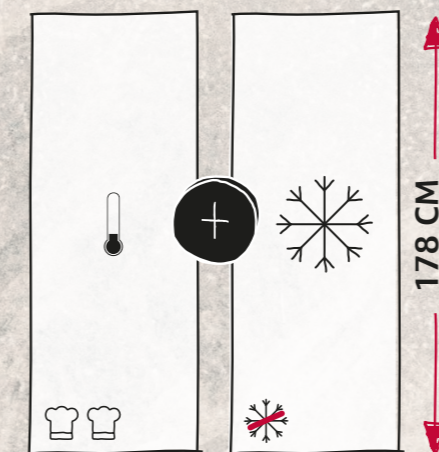
Installation Solutions

- The range can be installed Over/Under to create a bespoke solution.
- Depending on the fridge and freezer capacity required, the range can be installed to create the ideal solution.
- The range can be installed Side by Side and the Tall Fridge & Freezer create equal fridge and freezer capacity.

Over/Under installation options



Side by Side installation options



Other Styles



American-Style Fridge Freezer

- Side by Side configuration with anti-fingerprint stainless-steel doors.
- No Frost – Defrosting the freezer will no longer be required.
- Ice Dispenser – Easily get ice cubes and crushed ice when plumbed in.
- Fresh Safe – Fridge drawer providing flexible storage for fruits and vegetables.

Built Under Solutions



Wine Cabinets

- Available in two widths; 30cm – 21 bottle capacity /60cm – 44 bottle capacity
- 2 in 1 Temperature Zone (5°C-20°C)
- Individual temperature zones to store white and red wine.
- Interior Light



Built Under Fridges & Freezers

- 82cm high to install under a worktop
- SSuper Cool with NEFF Home Connect app
- Some models with 4 star freezer section
- LED lighting

Your guide to Cooling

| SERIES FUNCTIONS | | | | |
|-----------------------------------|--------------|--------------|------------|------------|
| Product Function | N 90 | N 70 | N 50 | N 30 |
| Home Connect | • | - | • | • |
| Fresh Safe | Fresh Safe 3 | Fresh Safe 2 | Fresh Safe | Fresh Safe |
| No Frost/Low Frost | •/- | •/• | •/• | •/ |
| Vario Shelf | • | • | - | - |
| Wire Flex Shelf | • | - | - | - |
| Easy Access Shelf | • | • | - | - |
| Easy Lift Shelf | • | - | - | - |
| Flexi Rail Drawers | • | - | - | - |
| LED Display | • | • | • | - |
| Electronic Control | - | - | • | - |
| Energy Rating | E or F | E or F | E or F | F |
| Super Cool | • | • | • | - |
| Fresh Sense | • | • | - | - |
| Soft Close/Fixed/Sliding | •/•/- | -/•/- | •/•/- | -/-/• |
| LED Light/Daylight/Interior Light | •/-/- | •/-/- | •/•/- | -/-/• |
| Super Freeze | • | • | • | - |
| Big Box | • | • | • | - |
| Wine Cabinets | - | • | - | - |
| Vegetable Drawer | - | - | - | • |
| Manual Defrost | - | - | - | • |

Cooling Functions

MULTIPLE COOLING SYSTEMS

Separate cooling circuits for independent temperature control, to prevent the transference of odours and/or humidity between the fridge and freezer cavities.



NO FROST

No Frost freezers automatically react to any signs of frost so it never has a chance to build up. With a No Frost freezer, air is blown from the back wall and circulates over food items. As a result, there is no condensation or build up of frost and food does not freeze together.



SUPER FREEZE

To stop already frozen food warming up just by being in the same drawers, the freezer temperature can be lowered in preparation. Super Freeze lowers the temperature temporarily before switching back automatically. Simply activate "Super Freeze" via the NEFF Home Connect app.

INTELLIGENT COOLING

Uses a range of innovative sensors to calculate the quantity of food in the fridge and the outside temperature. The fridge then adjusts the internal cooling power accordingly.

DOOR OPEN

Door Open and high temperature alarm systems alert if the door has been left open or a power cut has occurred. Ideal for mitigating food wastage.

DOOR OPEN ASSIST

Open the fridge with a simple push or a single word. The push to open mechanism is a perfect match with handle free kitchen furniture.



MULTI AIR FLOW COOLING

Greatly improves the circulation of air around the fridge, regulating the temperature and humidity levels and eradicating condensation build up, so that food stays fresher for longer.



LOW FROST

Low Frost improves performance and reduces frost build up in an energy efficient way. It also provides more storage space due to there being no internal evaporator. It also means the freezer is likely to only need defrosting every 2-3 years.



ECO AIR FLOW

Our Eco Air Flow system treats ingredients as lovingly as they were picked. Eco Air Flow circulates the air evenly in the fridge to keep flavours delicious under ideal cooling conditions.

SUPER COOL

Allows for the increase in temperature that occurs when fresh food is added. As soon as the food is cold, the fridge will readjust to the normal temperature.

FRESH SAFE

Our innovative 0°C Fresh Safe preservation system extends the life of food to reduce waste.

Design Features



Unique to NEFF, making your life even easier

EASY CLEAN MAGNETIC DOOR SEALS

The magnetic door seals on all of our refrigeration ranges are removable, making them easy to clean and/or replace if necessary.

SOFT CLOSE

With Soft Close, the fridge door closes automatically when open at an angle of 20° or less. With a soft closing mechanism, it's the ideal addition to kitchens with soft close cabinets.

ANTI-SPILL TRIMS

Effectively hold up to a pint of liquid in case of accidental spillage. Food is protected below and the clean-up process is a little less messy.



WIRE SHELF

Completely unique to NEFF, our new Wire Shelf feature is ideal for securely storing jars and bottles stacked on their side.



EASY LIFT SHELF

With Easy Lift shelving, it's possible to adjust shelves with just one hand – even when they're fully loaded. Perfect when unloading shopping or introducing freshly prepared dishes to the fridge.



EASY LIFT DOOR STORAGE

Easily adjust door storage with just one hand. Combined with Easy Lift Shelves, the fridge space won't restrict what can be stored.



EASY ACCESS SHELF

The retractable glass shelf allows for easy loading and unloading as well as better access to the food. Ideal for putting the finishing touches to those delicate desserts.



BOTTLE RACK

Always have a chilled bottle on standby for those impromptu get-togethers.



VARIO SHELF

Designed to offer complete flexibility in the fridge, sectioned glass shelves can simply be separated and slid underneath when not in use. Ideal for larger dishes, with space left over for a convenient condiments storage area at the back.



Home Connect

NEFF Home Connect

Simply use a smartphone or tablet to control your XXL fridge, even when on the go. Using the NEFF Home Connect app allows access to smart benefits, including controlling the fridge on the go and easily setting it to Eco or Holiday mode, even when no longer at home.

Individual Temperature Control

Tastes vary – and so do the ingredients. Individual Temperature Control enables temperature adjustment depending on what is being stored. Simply choose an eco-friendly mode with a higher temperature for the fridge via the electronic control panel, while the Individual Temperature Control keeps the freezer up and running.

Door Alarm

Say goodbye to the frustration of accidentally leaving the fridge door open. Equipped with both visual and acoustic alarms, the fridge signals that it needs another gentle shove for sustainable cooling. Even if the door is slightly ajar, the fridge will request a gentle nudge to maintain optimal temperatures. And for added convenience, if your fridge is integrated with the NEFF Home Connect app, you'll receive notifications directly to your smartphone.

Freezer Light

Our Freezer LED light illuminates every frozen ingredient in the drawers. And if the appliance is NEFF Home Connect enabled, the light can be adapted depending on preferences. Also, the emotion light can be activated which adds a lovely light effect to the kitchen even when the doors of the fridge and freezer are closed.

Fresh Safe <0°C>

Enjoy a variety of storage options to suit preferences, including a flexible drawer for fruits and vegetables. In addition, the unit features a dedicated compartment for meat and fish that's kept at an optimal temperature up to 0°C.



Built Under Wine Cabinets



| DESIGN FEATURES | | KU9202HF0G N70 | KU9213HG0G N70 |
|--------------------------------------|----------------|-----------------------------|-----------------------------|
| Colour of door panels | | Black | Black |
| Colour of side panels | | Black | Black |
| Type of glass door | | 3 glass panels, UV-filtered | 3 glass panels, UV-filtered |
| Door handle type | | Vertical bar handle | Vertical bar handle |
| Temperature display | | Interior / Digital LED | Interior / Digital LED |
| Reversible door, hinged on right | | • | • |
| Home connect / Built in cameras | | | |
| KEY FEATURES – WINE CABINET SECTION | | | |
| Range of temperature (0°C) | | 5 - 20 | 5 - 20 |
| Temperature zones | | 1 | 2 |
| LED light | | LED | LED |
| Number of shelves | | 4 | 5 |
| Number of bamboo shelves | | 3 | 3 |
| Number of adjustable shelves | | | |
| Presenter shelf and lighting | | | |
| Capacity in 0.75l (Bordeaux bottles) | | 21 | 44 |
| FUNCTIONS | | | |
| Door open warning signal/malfunction | | • | • |
| Child lock | | • | • |
| PERFORMANCE & CONSUMPTION | | | |
| Energy efficiency class | | | |
| Energy consumption ¹ | kWh/annum | 100 | 130 |
| Refrigerator net capacity | L | 56 | 108 |
| Climate Class ² | | SN-ST | SN-ST |
| Sabbath Mode | | | |
| Noise level | dB (A) re 1 pW | 38 | 38 |
| Noise level class | | D | D |
| Height of product | mm | 818 | 818 |
| Width of product | mm | 298 | 598 |
| Depth of product | mm | 567 | 581 |

Please ensure adequate ventilation is provided in plinth to allow air flow.

¹ Actual energy consumption will depend on how the appliance is used and where it is located.
² Climate zone ST = designed to operate in ambient temperature of +16°C to 38°C.
 Climate zone SN = designed to operate in ambient temperature of +10°C to 32°C.

Freestanding American-Style Fridge Freezer



| DESIGN FEATURES | | KA3923IE0G N70 |
|-------------------------------------|----------------|---|
| Colour of door panels | | Brushed Steel anti fingerprint |
| Colour of sides | | Grey |
| Style of handle | | Vertical bar handle |
| Colour of handle | | Stainless steel |
| NoFrost in fridge and freezer | | • |
| Home Connect, Wi-Fi dongle included | | |
| FOOD FRESHNESS SYSTEM | | |
| Fresh Safe | | 2 x Fresh Safe drawers on rails |
| KEY FEATURES – FRIDGE SECTION | | |
| Product highlights | | LED |
| Super Cool | | • |
| Type of control | | Electronic |
| Number of shelves | | 5 |
| Number of adjustable shelves | | |
| Bottle shelves in fridge | | • |
| Number of door bins / shelves | | 5 |
| Temperature display | | Digital |
| Warning signal door open | | • |
| KEY FEATURES – FREEZER SECTION | | |
| Door opened indicator | | • |
| Super Freeze function | | • |
| Temperature adjustable in freezer | | • |
| Number of ice cube trays | | Automatic ice cube maker |
| Ice dispenser features | | Crushed ice, ice cubes, water, water filter |
| Number of freezer drawers | | 2 |
| ADDITIONAL INFORMATION | | |
| Energy efficiency class | | |
| Energy consumption ¹ | kWh/annum | 324 |
| Total net capacity | L | 562 |
| Refrigerator net capacity | L | 371 |
| Freezer net capacity | L | 191 |
| Climate Class ² | | SN-T |
| Noise level | dB (A) re 1 pW | 42 |
| Noise level class | | D |
| Additional accessories included | | 1 x connection hose |
| Height of product | mm | 1787 |
| Width of product | mm | 908 |
| Depth of product | mm | 707 |

¹ Actual energy consumption will depend on how the appliance is used and where it is located.
² Climate zone SN = designed to operate in ambient temperature of +10°C to 32°C.
 Climate zone T = designed to operate in ambient temperature of +18°C to 43°C.

Built-In Fridge Freezers

XXL 193.5CM TALL - 60/40

KB7966DD0 | N70

- Extra Capacity
- 2 Fresh Safe Drawers
- No Frost
- Home Connect
- LED Lighting
- Fixed Hinge



5 years
warranty



KB7962SE0 | N50

- Extra Capacity
- 2 Fresh Safe Drawer
- No Frost
- Home Connect
- LED Lighting
- Sliding Hinge



5 years
warranty



KI7962FD0G | N50

- Extra Capacity
- 2 Fresh Safe Drawers
- No Frost
- LED Lighting
- Fixed Hinge



5 years
warranty



KI7961SE0 | N30

- Extra Capacity
- 1 Fresh Safe Drawer
- No Frost
- LED Lighting
- Sliding Hinge



5 years
warranty



| DESIGN FEATURES | KB7966DD0 N70 | KB7962SE0 N50 |
|-----------------------------------|---|---|
| Fridge / Freezer split | 60/40 | 60/40 |
| No Frost | • | • |
| Low Frost or Manual defrost | | |
| Soft Close hinge | | |
| Type of hinge (reversible) | Fixed hinge | Sliding hinge |
| Home Connect | • | • |
| FOOD FRESHNESS SYSTEM | | |
| Fresh Safe | 2 x Fresh Safe drawers | 2 x Fresh Safe drawers |
| KEY FEATURES – FRIDGE SECTION | | |
| Light | LED | LED |
| Super Cool function | • | • |
| Type of control | Electronic | Electronic |
| Number of shelves | 5 | 5 |
| Number of adjustable shelves | 4 | 4 |
| Number of door bins / shelves | 7 | 7 |
| Type of shelves | Safety glass | Safety glass |
| Temperature display | Digital LED | Digital LED |
| Warning signal door open | • | • |
| Bottle shelves in fridge | • | • |
| KEY FEATURES – FREEZER SECTION | | |
| Super Freeze function | • | • |
| Temperature adjustable in freezer | • | • |
| Number of ice cube trays | 1 | 1 |
| Number of freezer drawers | 3 | 3 |
| ADDITIONAL INFORMATION | | |
| Energy efficiency class | A D | A E |
| Energy consumption ¹ | kWh/annum 204 | 256 |
| Total net capacity | L 381 | 383 |
| Refrigerator net capacity | L 283 | 285 |
| Freezer net capacity | L 98 | 98 |
| Climate class ² | SN-ST | SN-ST |
| Noise level | dB (A) re 1 pW 33 | 34 |
| Noise level class | B | B |
| Sabbath Mode | • | • |
| Additional accessories included | 1 x ice cube tray, 1 x bottle holder/wire rack | 1 x ice cube tray, 1 x bottle holder/wire rack |
| Height of product | mm 1935 | 1935 |
| Width of product | mm 708 | 691 |
| Depth of product | mm 548 | 548 |

XL 193.5CM TALL - 60/40

| DESIGN FEATURES | KI7962FD0G N50 | KI7961SE0 N30 |
|-----------------------------------|---|-----------------------|
| Fridge / Freezer split | 60/40 | 60/40 |
| No Frost | • | • |
| Low Frost or Manual defrost | | |
| Soft Close hinge | | |
| Type of hinge (reversible) | Fixed hinge | Sliding hinge |
| Home Connect | | |
| FOOD FRESHNESS SYSTEM | | |
| Fresh Safe | 2 x Fresh Safe drawers | 1 x Fresh Safe drawer |
| KEY FEATURES – FRIDGE SECTION | | |
| Light | LED | LED |
| Super Cool function | | • |
| Type of control | Electronic | Electronic |
| Number of shelves | 3 | 4 |
| Number of adjustable shelves | 3 | 4 |
| Number of door bins / shelves | 4 | 4 |
| Type of shelves | Safety glass | Safety glass |
| Temperature display | Digital LED | Digital LED |
| Warning signal door open | • | • |
| Bottle shelves in fridge | • | |
| KEY FEATURES – FREEZER SECTION | | |
| Super Freeze function | • | • |
| Temperature adjustable in freezer | | • |
| Number of ice cube trays | 1 | 1 |
| Number of freezer drawers | 3 | 3 |
| ADDITIONAL INFORMATION | | |
| Energy efficiency class | A D | A E |
| Energy consumption ¹ | kWh/annum 184 | 231 |
| Total net capacity | L 290 | 290 |
| Refrigerator net capacity | L 215 | 215 |
| Freezer net capacity | L 75 | 75 |
| Climate class ² | SN-ST | SN-ST |
| Noise level | dB (A) re 1 pW 34 | 34 |
| Noise level class | B | B |
| Sabbath Mode | • | • |
| Additional accessories included | 1 x ice cube tray, 1 x bottle holder/wire rack | 1 x ice cube tray |
| Height of product | mm 1935 | 1935 |
| Width of product | mm 558 | 541 |
| Depth of product | mm 548 | 548 |

¹ Actual energy consumption will depend on how the appliance is used and where it is located.
² Climate zone SN = designed to operate in ambient temperature of +10°C to 32°C.
 Climate zone T = designed to operate in ambient temperature of +18°C to 43°C.

Built-In Fridge Freezers

177CM TALL - 70/30

KI6873FE0G | N70

- 1 Fresh Safe Drawer
- Low Frost

- Fixed Hinge



KI5872FE0G | N50

- 1 Fresh Safe Drawer
- Low Frost

- Fixed Hinge



177CM TALL - 70/30

KI5872SE0G | N50

- 1 Fresh Safe Drawer
- Low Frost

- Sliding Hinge



KI5871SE0G | N30

- 1 Fresh Safe Drawer
- Low Frost

- Sliding Hinge



177CM TALL - 60/40

KI7863DD0G | N70

- 2 Fresh Safe Drawers
- No Frost

- Fixed Hinge / Soft Close Hinge



| DESIGN FEATURES | KI6873FE0G N70 | KI5872FE0G N50 |
|---|--|-----------------------|
| Fridge / Freezer split | 70/30 | 70/30 |
| No Frost | | |
| Low Frost or Manual defrost | Low Frost | Low Frost |
| Soft Close hinge | | |
| Type of hinge (reversible) | Fixed hinge | Fixed hinge |
| Home Connect | | |
| FOOD FRESHNESS SYSTEM | | |
| Fresh Safe | 1 x Fresh Safe drawer | 1 x Fresh Safe drawer |
| KEY FEATURES – FRIDGE SECTION | | |
| Light | LED | LED |
| Super Cool function | • | • |
| Type of control | Electronic | Electronic |
| Number of shelves | 5 | 5 |
| Number of adjustable shelves | 4 | 4 |
| Number of door bins / shelves | 5 | 4 |
| Type of shelves | Safety glass | Safety glass |
| Temperature display | Digital LED | Digital LED |
| Warning signal door open | • | • |
| Bottle shelves in fridge | • | • |
| KEY FEATURES – FREEZER SECTION | | |
| Super Freeze function | • | • |
| Temperature adjustable in freezer | • | • |
| Number of ice cube trays | 1 | 1 |
| Number of freezer drawers | 2 | 2 |
| ADDITIONAL INFORMATION | | |
| Energy efficiency class | | |
| Energy consumption ¹ kWh/annum | 207 | 216 |
| Total net capacity L | 272 | 270 |
| Refrigerator net capacity L | 209 | 200 |
| Freezer net capacity L | 63 | 70 |
| Climate class ² | SN-T | SN-ST |
| Noise level dB(A) re 1 pW | 36 | 35 |
| Noise level class | C | B |
| Additional accessories included | 1 x ice cube tray, 1 x bottle holder in door tray | 1 x ice cube tray |
| Height of product mm | 1772 | 1772 |
| Width of product mm | 558 | 541 |
| Depth of product mm | 545 | 545 |

| DESIGN FEATURES | KI5872SE0G N50 | KI5871SE0G N30 | KI7863DD0G N70 |
|---|-----------------------|-----------------------|--|
| Fridge / Freezer split | 70/30 | 70/30 | 60/40 |
| No Frost | | | • |
| Low Frost or Manual defrost | Low Frost | Low Frost | |
| Soft Close hinge | | | • |
| Type of hinge (reversible) | Sliding hinge | Sliding hinge | Fixed hinge |
| Home Connect | | | |
| FOOD FRESHNESS SYSTEM | | | |
| Fresh Safe | 1 x Fresh Safe drawer | 1 x Fresh Safe drawer | 2 x Fresh Safe drawers |
| KEY FEATURES – FRIDGE SECTION | | | |
| Light | LED | LED | LED |
| Super Cool function | • | • | • |
| Type of control | Electronic | Electronic | Electronic |
| Number of shelves | 5 | 5 | 3 |
| Number of adjustable shelves | 4 | 5 | 1 |
| Number of door bins / shelves | 4 | 4 | 4 |
| Type of shelves | Safety glass | Safety glass | Safety glass |
| Temperature display | Digital LED | Digital LED | Digital LED |
| Warning signal door open | • | • | • |
| Bottle shelves in fridge | • | • | • |
| KEY FEATURES – FREEZER SECTION | | | |
| Super Freeze function | • | • | • |
| Temperature adjustable in freezer | • | • | • |
| Number of ice cube trays | 1 | 1 | 1 |
| Number of freezer drawers | 2 | 2 | 3 |
| ADDITIONAL INFORMATION | | | |
| Energy efficiency class | | | |
| Energy consumption ¹ kWh/annum | 216 | 216 | 186 |
| Total net capacity L | 270 | 270 | 260 |
| Refrigerator net capacity L | 200 | 200 | 184 |
| Freezer net capacity L | 70 | 70 | 76 |
| Climate class ² | SN-ST | SN-ST | SN-ST |
| Noise level dB(A) re 1 pW | 35 | 35 | 35 |
| Noise level class | B | B | B |
| Additional accessories included | 1 x ice cube tray | 1 x ice cube tray | 1 x ice cube tray, 1 x bottle holder/wire rack |
| Height of product mm | 1772 | 1772 | 1772 |
| Width of product mm | 541 | 541 | 558 |
| Depth of product mm | 545 | 548 | 548 |

¹ Actual energy consumption will depend on how the appliance is used and where it is located.
² Climate zone SN = designed to operate in ambient temperature of +10°C to 32°C.
 Climate zone T = designed to operate in ambient temperature of +18°C to 43°C.

Built-In Fridge Freezers

177CM TALL - 60/40

| KI7862FE0G N50 | KI7862SE0G N50 | KI5862SE0G N50 |
|--|--|--|
| <ul style="list-style-type: none"> • 2 Fresh Safe Drawers • No Frost | <ul style="list-style-type: none"> • 2 Fresh Safe Drawers • No Frost | <ul style="list-style-type: none"> • 1 Fresh Safe Drawer • Low Frost |
| <ul style="list-style-type: none"> • Fixed Hinge | <ul style="list-style-type: none"> • Sliding Hinge | <ul style="list-style-type: none"> • Sliding Hinge |
| | | |

| DESIGN FEATURES | | | |
|---|---|--|-----------------------|
| Fridge / Freezer split | 60/40 | 60/40 | 60/40 |
| No Frost | • | • | |
| Low Frost or Manual defrost | | | Low Frost |
| Soft Close hinge | | | |
| Type of hinge (reversible) | Fixed hinge | Sliding hinge | Sliding hinge |
| Home Connect | | | |
| FOOD FRESHNESS SYSTEM | | | |
| Fresh Safe | 2 x Fresh Safe drawers | 2 x Fresh Safe drawers | 1 x Fresh Safe drawer |
| KEY FEATURES – FRIDGE SECTION | | | |
| Light | LED | LED | LED |
| Super Cool function | • | • | • |
| Type of control | Electronic | Electronic | Electronic |
| Number of shelves | 3 | 3 | 4 |
| Number of adjustable shelves | 3 | 3 | 3 |
| Number of door bins / shelves | 4 | 4 | 4 |
| Type of shelves | Safety glass | Safety glass | Safety glass |
| Temperature display | Digital LED | Digital LED | Digital LED |
| Warning signal door open | • | • | • |
| Bottle shelves in fridge | • | • | • |
| KEY FEATURES – FREEZER SECTION | | | |
| Super Freeze function | • | • | • |
| Temperature adjustable in freezer | | | |
| Number of ice cube trays | 1 | 1 | 1 |
| Number of freezer drawers | 3 | 3 | 3 |
| ADDITIONAL INFORMATION | | | |
| Energy efficiency class | | | |
| Energy consumption ¹ kWh/annum | 234 | 234 | 229 |
| Total net capacity L | 260 | 260 | 269 |
| Refrigerator net capacity L | 184 | 184 | 184 |
| Freezer net capacity L | 76 | 76 | 85 |
| Climate class ² | SN-ST | SN-ST | SN-ST |
| Noise level dB(A) re 1 pW | 35 | 35 | 35 |
| Noise level class | B | B | B |
| Additional accessories included | 1 x ice cube tray, 1 x bottle holder/wire rack | 1 x ice cube tray 1 x bottle holder/wire rack | 1 x ice cube tray |
| Height of product mm | 1772 | 1772 | 1772 |
| Width of product mm | 541 | 541 | 541 |
| Depth of product mm | 548 | 548 | 545 |

177CM TALL - 60/40

177CM TALL - 50/50

| KI7861FE0G N30 | KI7861SE0G N30 | KI7851FE0G N30 | KI7851SE0G N30 |
|---|---|---|---|
| <ul style="list-style-type: none"> • 1 Fresh Safe Drawer • No Frost | <ul style="list-style-type: none"> • 1 Fresh Safe Drawer • No Frost | <ul style="list-style-type: none"> • 1 Fresh Safe Drawer • No Frost | <ul style="list-style-type: none"> • 1 Fresh Safe Drawer • No Frost |
| <ul style="list-style-type: none"> • Fixed Hinge | <ul style="list-style-type: none"> • Sliding Hinge | <ul style="list-style-type: none"> • Fixed Hinge | <ul style="list-style-type: none"> • Sliding Hinge |
| | | | |

| DESIGN FEATURES | | | |
|---|-----------------------|-----------------------|-----------------------|
| Fridge / Freezer split | 60/40 | 60/40 | 50/50 |
| No Frost | • | • | • |
| Low Frost or Manual defrost | | | Low Frost |
| Soft Close hinge | | | |
| Type of hinge (reversible) | Fixed hinge | Sliding hinge | Sliding hinge |
| Home Connect | | | |
| FOOD FRESHNESS SYSTEM | | | |
| Fresh Safe | 1 x Fresh Safe drawer | 1 x Fresh Safe drawer | 1 x Fresh Safe drawer |
| KEY FEATURES – FRIDGE SECTION | | | |
| Light | LED | LED | LED |
| Super Cool function | • | • | • |
| Type of control | Electronic | Electronic | Electronic |
| Number of shelves | 4 | 4 | 3 |
| Number of adjustable shelves | 3 | 3 | 2 |
| Number of door bins / shelves | 3 | 3 | 2 |
| Type of shelves | Safety glass | Safety glass | Safety glass |
| Temperature display | Digital LED | Digital LED | Digital LED |
| Warning signal door open | • | • | • |
| Bottle shelves in fridge | • | • | • |
| KEY FEATURES – FREEZER SECTION | | | |
| Super Freeze function | • | • | • |
| Temperature adjustable in freezer | | | |
| Number of ice cube trays | 1 | 1 | 1 |
| Number of freezer drawers | 3 | 3 | 4 |
| ADDITIONAL INFORMATION | | | |
| Energy efficiency class | | | |
| Energy consumption ¹ kWh/annum | 234 | 234 | 239 |
| Total net capacity L | 260 | 260 | 249 |
| Refrigerator net capacity L | 184 | 184 | 150 |
| Freezer net capacity L | 76 | 76 | 99 |
| Climate class ² | SN-ST | SN-ST | SN-ST |
| Noise level dB(A) re 1 pW | 35 | 35 | 39 |
| Noise level class | B | B | C |
| Additional accessories included | 1 x ice cube tray | 1 x ice cube tray | 1 x ice cube tray |
| Height of product mm | 1772 | 1772 | 1772 |
| Width of product mm | 541 | 541 | 541 |
| Depth of product mm | 548 | 548 | 548 |

¹ Actual energy consumption will depend on how the appliance is used and where it is located.
² Climate zone SN = designed to operate in ambient temperature of +10°C to 32°C.
 Climate zone T = designed to operate in ambient temperature of +18°C to 43°C.

Built-In Single Door Fridges & Freezers

177CM TALL FRIDGES

| KI8815OD0 N90 | KI1813FE0G N70 | KI2822FE0G N50 | KI1812FE0G N50 |
|--|---|--|---|
| <ul style="list-style-type: none"> • 3 x Fresh Safe drawers • Home Connect • Fixed hinge / Soft Close Hinge • Door Open Assist • Alexa Voice Controlled | <ul style="list-style-type: none"> • 2 x Fresh Safe drawers • Fixed hinge | <ul style="list-style-type: none"> • 2 x Fresh Safe drawers • Low Frost • Fixed hinge | <ul style="list-style-type: none"> • 2 x Fresh Safe drawers • Fixed hinge |
|  |  |  |  |

| DESIGN FEATURES | | | | |
|---|------------------------|------------------------|------------------------|------------------------|
| No Frost | | | | |
| Low Frost or Manual defrost | | | • | |
| Soft Close hinge | • | | | |
| Type of hinge (reversible) | Fixed hinge | Fixed hinge | Fixed hinge | Fixed hinge |
| Home Connect | • | | | |
| FOOD FRESHNESS SYSTEM | | | | |
| Fresh Safe | 3 x Fresh Safe drawers | 2 x Fresh Safe drawers | 2 x Fresh Safe drawers | 2 x Fresh Safe drawers |
| KEY FEATURES – FRIDGE SECTION | | | | |
| Light | LED | LED | LED | LED |
| Super Cool function | • | • | • | • |
| Type of control | Electronic | Electronic | Electronic | Electronic |
| Number of shelves | 7 | 7 | 4 | 6 |
| Number of adjustable shelves | 5 | 6 | 4 | 6 |
| Number of door bins / shelves | 6 | 6 | 5 | 5 |
| Type of shelves | Safety glass | Safety glass | Safety glass | Safety glass |
| Temperature display | Digital LED | Digital LED | Digital LED | Digital LED |
| Warning signal door open | • | • | • | • |
| Bottle shelves in fridge | • | • | | • |
| KEY FEATURES – FREEZER SECTION | | | | |
| Super Freeze function | | | | |
| Temperature adjustable in freezer | | | | |
| Number of ice cube trays | | | 1 | |
| Number of freezer drawers | | | | |
| ADDITIONAL INFORMATION | | | | |
| Energy efficiency class | A D | A E | A E | A E |
| Energy consumption ¹ kWh/annum | 120 | 115 | 177 | 114 |
| Total net capacity L | 289 | 319 | 280 | 310 |
| Freezer net capacity L | | | 34 | |
| Climate class ² | SN-T | SN-T | SN-ST | SN-ST |
| Noise level dB(A) re 1 pW | 36 | 37 | 35 | 35 |
| Noise level class | C | C | B | B |
| Additional accessories included | 1 x bottle flex shelf | | 1 x ice cube tray | 1 x bottle flex shelf |
| Height of product mm | 1772 | 1772 | 1772 | 1772 |
| Width of product mm | 558 | 558 | 541 | 541 |
| Depth of product mm | 545 | 545 | 548 | 548 |

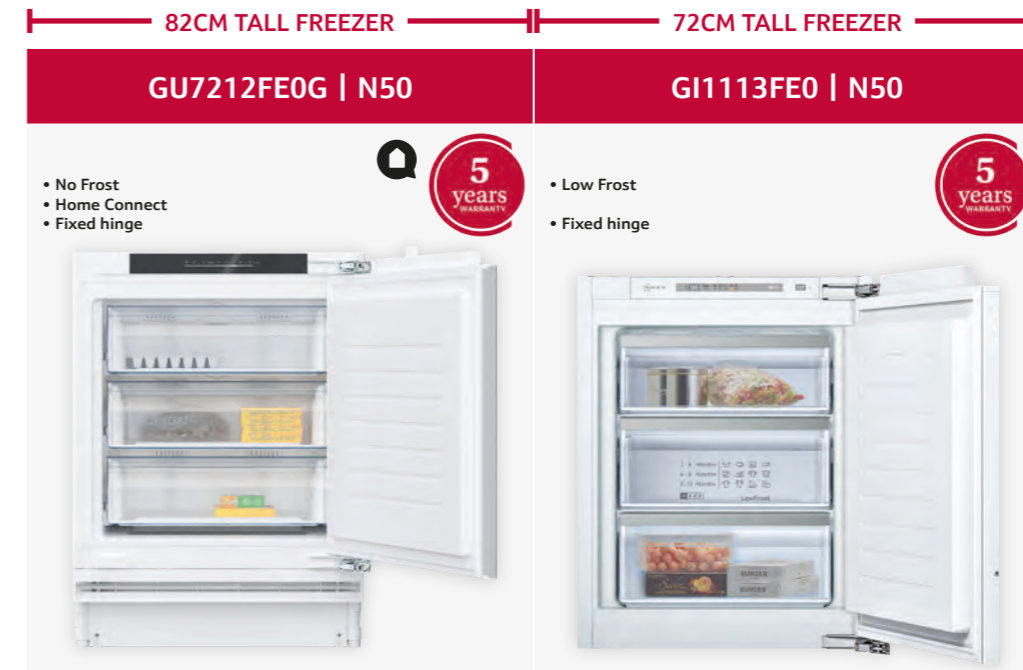
177CM TALL FRIDGES

| KI2821SE0G N30 | KI1811SE0G N30 | GI7815NE0 N90 | GI7815CE0G N90 | GI7812EE0G N50 |
|--|---|--|--|---|
| <ul style="list-style-type: none"> • 2 x Fresh Safe drawers • Low Frost • Sliding Hinge | <ul style="list-style-type: none"> • 2 x Fresh Safe drawers • Sliding Hinge | <ul style="list-style-type: none"> • No Frost • Home Connect • Fixed hinge/Soft Close Hinge • Door Open Assist • Alexa Voice Controlled | <ul style="list-style-type: none"> • No Frost • Home Connect • Fixed hinge/Soft Close Hinge | <ul style="list-style-type: none"> • No Frost • Fixed hinge |
|  |  |  |  |  |

| DESIGN FEATURES | | | | | |
|---|------------------------|------------------------|-------------------|-------------------|-------------------|
| No Frost | | | • | • | • |
| Low Frost or Manual defrost | • | | | | |
| Soft Close hinge | | | • | • | |
| Type of hinge (reversible) | Sliding hinge | Sliding hinge | Fixed hinge | Fixed hinge | Fixed hinge |
| Home Connect | | | • | • | |
| FOOD FRESHNESS SYSTEM | | | | | |
| Fresh Safe | 2 x Fresh Safe drawers | 2 x Fresh Safe drawers | | | |
| KEY FEATURES – FRIDGE SECTION | | | | | |
| Light | LED | LED | | | |
| Super Cool function | • | • | | | |
| Type of control | Electronic | Electronic | | | |
| Number of shelves | 5 | 6 | | | |
| Number of adjustable shelves | 4 | 5 | | | |
| Number of door bins / shelves | 5 | 5 | | | |
| Type of shelves | Safety glass | Safety glass | | | |
| Temperature display | Digital LED | Digital LED | | | |
| Warning signal door open | • | • | | | |
| Bottle shelves in fridge | | • | | | |
| KEY FEATURES – FREEZER SECTION | | | | | |
| Super Freeze function | | | • | • | • |
| Temperature adjustable in freezer | | | • | • | • |
| Number of ice cube trays | 1 | | 1 | 1 | 1 |
| Number of freezer drawers | | | 5 | 5 | 5 |
| ADDITIONAL INFORMATION | | | | | |
| Energy efficiency class | A E | A E | A E | A E | A E |
| Energy consumption ¹ kWh/annum | 177 | 114 | 235 | 235 | 235 |
| Total net capacity L | 280 | 310 | 212 | 212 | 212 |
| Freezer net capacity L | 34 | | 212 | 212 | 212 |
| Climate class ² | SN-ST | SN-ST | SN-T | SN-T | SN-T |
| Noise level dB(A) re 1 pW | 35 | 35 | 35 | 35 | 35 |
| Noise level class | B | B | B | B | B |
| Additional accessories included | 1 x ice cube tray | | 1 x ice cube tray | 1 x ice cube tray | 1 x ice cube tray |
| Height of product mm | 1772 | 1772 | 1772 | 1772 | 1772 |
| Width of product mm | 541 | 541 | 558 | 558 | 558 |
| Depth of product mm | 548 | 548 | 545 | 545 | 545 |

¹ Actual energy consumption will depend on how the appliance is used and where it is located.
² Climate zone SN = designed to operate in ambient temperature of +10°C to 32°C.
 Climate zone T = designed to operate in ambient temperature of +18°C to 43°C.

Built-Under Single Door Fridges & Freezer



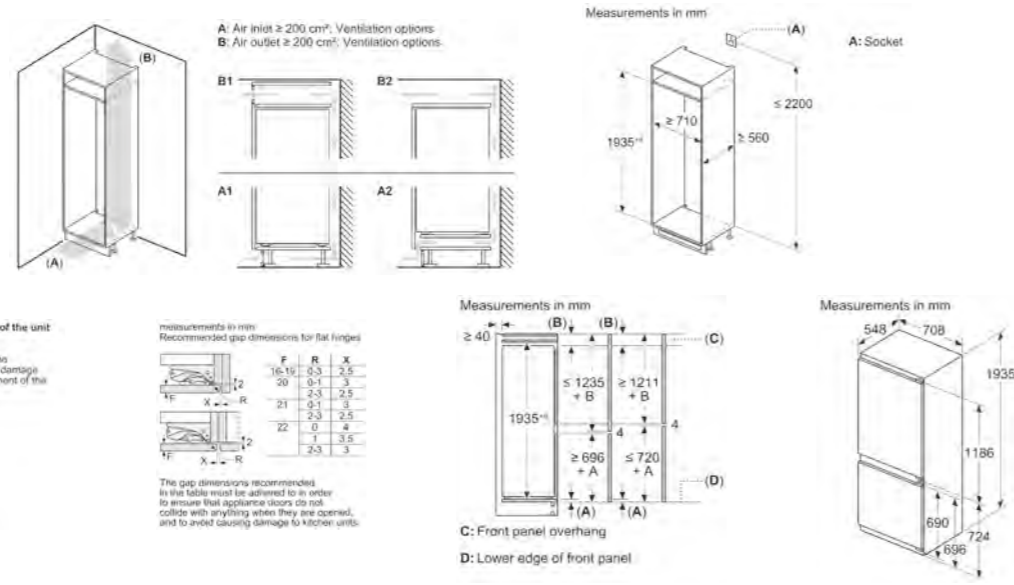
| DESIGN FEATURES | | |
|---|-------------------|-------------------|
| No Frost | | |
| Low Frost or Manual defrost | • | |
| Soft Close hinge | | |
| Type of hinge (reversible) | Fixed hinge | Fixed hinge |
| Home Connect | • | • |
| FOOD FRESHNESS SYSTEM | | |
| Fresh Safe | | |
| KEY FEATURES – FRIDGE SECTION | | |
| Light | LED | LED |
| Super Cool | • | • |
| Type of control | Electronic | Electronic |
| Number of shelves | 3 | 3 |
| Number of adjustable shelves | 2 | 3 |
| Number of door bins / shelves | 3 | 2 |
| Type of shelves | Safety glass | Safety glass |
| Temperature display | Digital LED | Digital LED |
| Warning signal door open | • | • |
| Bottle shelves in fridge | | |
| KEY FEATURES – FREEZER SECTION | | |
| Super Freeze function | | |
| Temperature adjustable in freezer | | |
| Number of ice cube trays | 1 | |
| Number of freezer drawers | | |
| ADDITIONAL INFORMATION | | |
| Energy efficiency class | A D | A E |
| Energy consumption ¹ kWh/annum | 119 | 93 |
| Total net capacity L | 110 | 134 |
| Freezer net capacity L | 17 | |
| Climate class ² | SN-T | SN-T |
| Noise level dB(A) re 1 pW | 35 | 35 |
| Noise level class | B | B |
| Sabbath Mode | • | • |
| Additional accessories included | | |
| Height of product mm | 820 | 820 |
| Width of product mm | 598 | 598 |
| Depth of product mm | 548 | 548 |

| | | |
|--|-------------------|-------------------|
| | • | |
| | Fixed hinge | Fixed hinge |
| | • | |
| | | |
| | | |
| | | |
| | | |
| | | |
| | | |
| | • | • |
| | • | • |
| | 1 | 1 |
| | 3 | 3 |
| | | |
| | A E | A E |
| | 189 | 167 |
| | 85 | 72 |
| | | |
| | SN-T | SN-T |
| | 35 | 36 |
| | B | C |
| | • | |
| | 1 x ice cube tray | 1 x ice cube tray |
| | 820 | 712 |
| | 598 | 558 |
| | 548 | 545 |

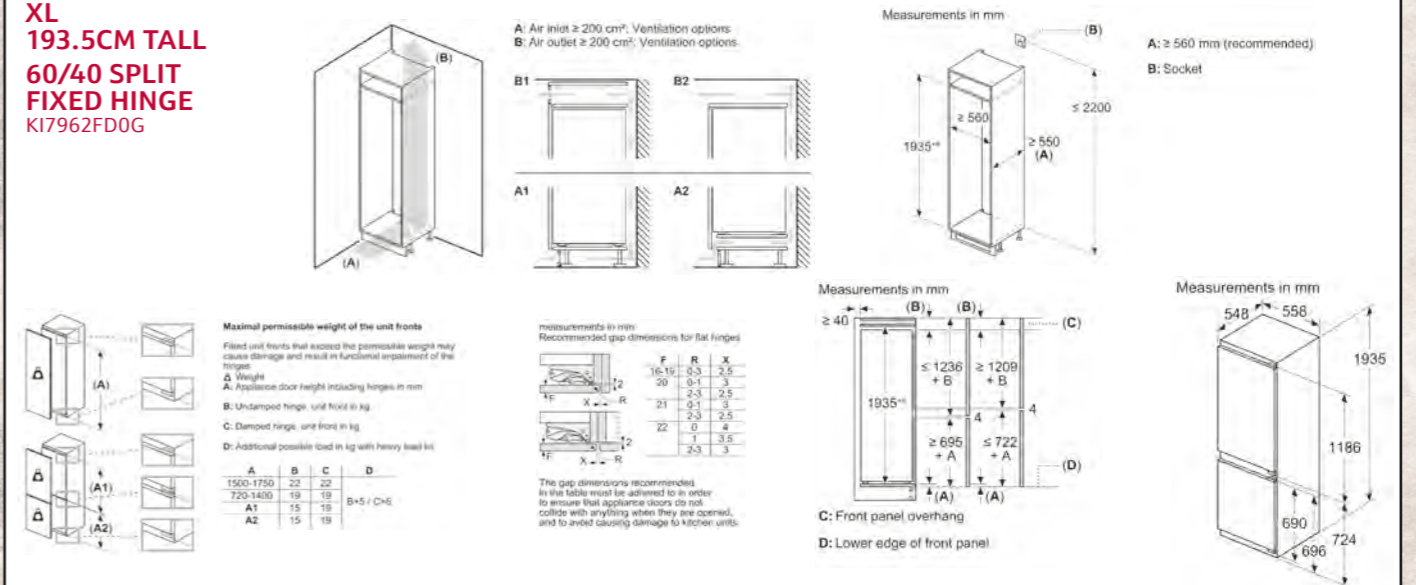
¹ Actual energy consumption will depend on how the appliance is used and where it is located.
² Climate zone SN = designed to operate in ambient temperature of +10°C to 32°C.
 Climate zone T = designed to operate in ambient temperature of +18°C to 43°C.

XXL & XL Built-In Fridge Freezers

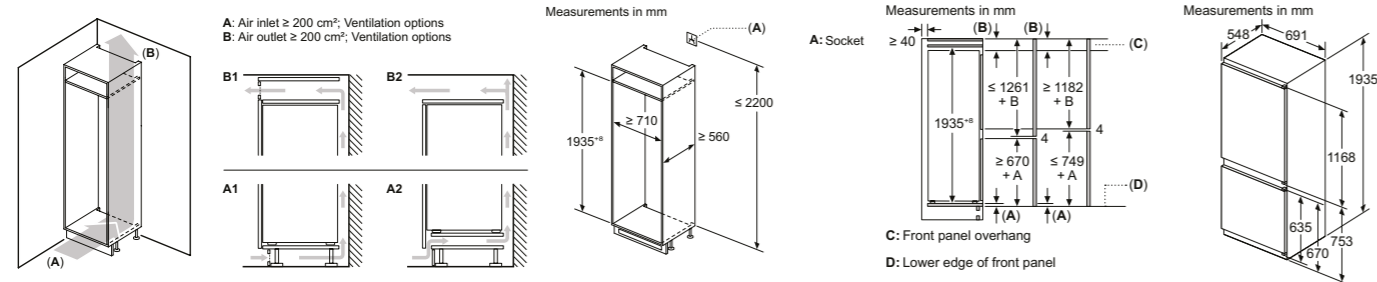
XXL
193.5CM TALL
60/40 SPLIT
SOFT CLOSE HINGE
KB7966DD0



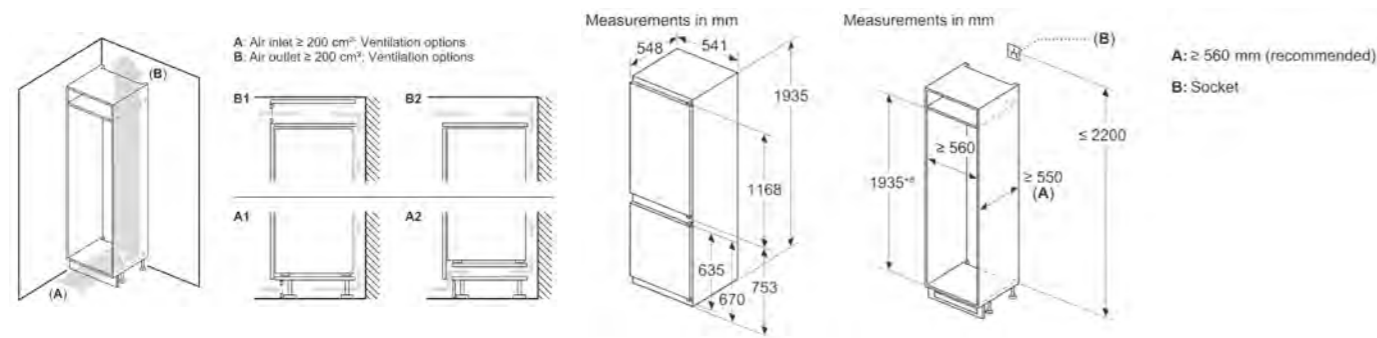
XL
193.5CM TALL
60/40 SPLIT
FIXED HINGE
KI7962FD0G



XXL
193.5CM TALL
60/40 SPLIT
SLIDING HINGE
KB7962SE0

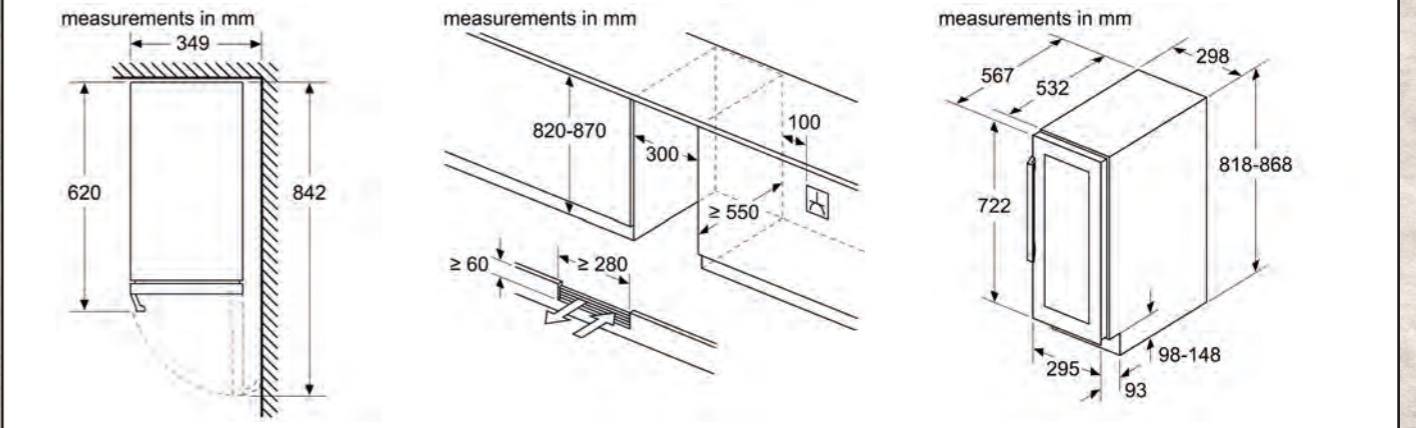


XL
193.5CM TALL
60/40 SPLIT
SLIDING HINGE
KI7961SE0

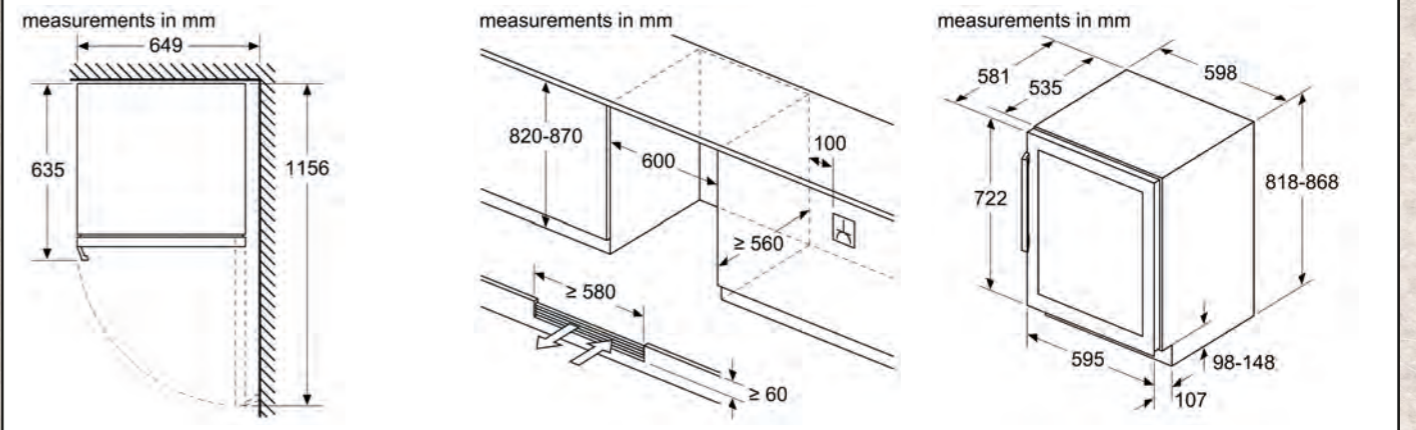


Built Under Wine Cabinets

30CM WIDE
KU9202HFOG



60CM WIDE
KU9213HGOG

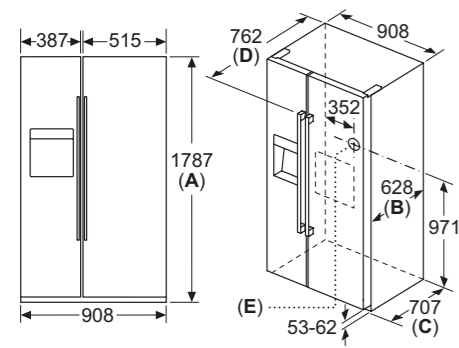


Measurements in mm. The line drawings featured in this brochure are provided as a guide to general dimensions only and are subject to amendment without prior notice. For full dimensional and installation details please refer to the documentation supplied with the appliance.

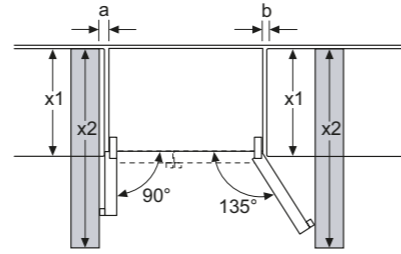
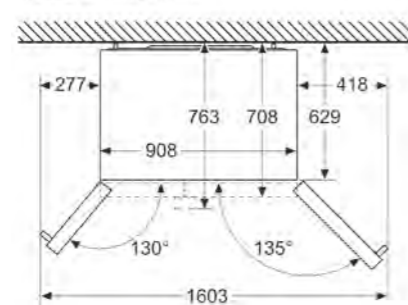
THE NEFF OVEN COLLECTIONS
HOBS
VENTILATION
REFRIGERATION
DISHWASHING
LAUNDRY

American-Style Fridge Freezer

KA3923IE0G



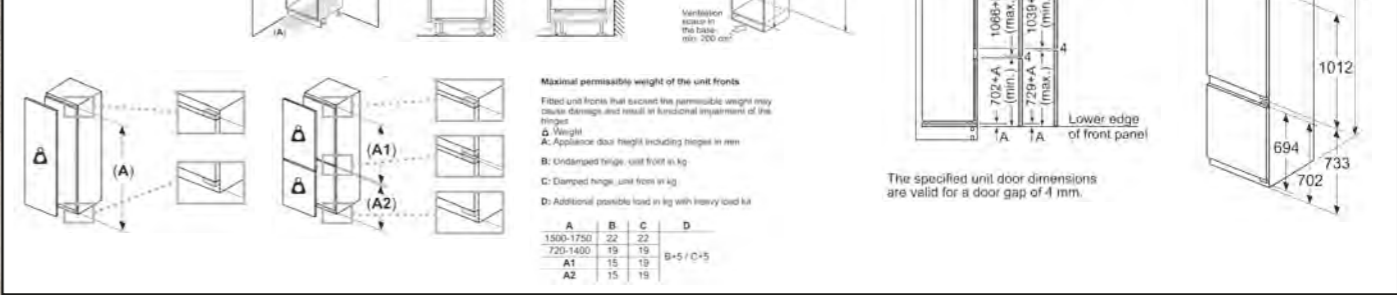
Measurements in mm



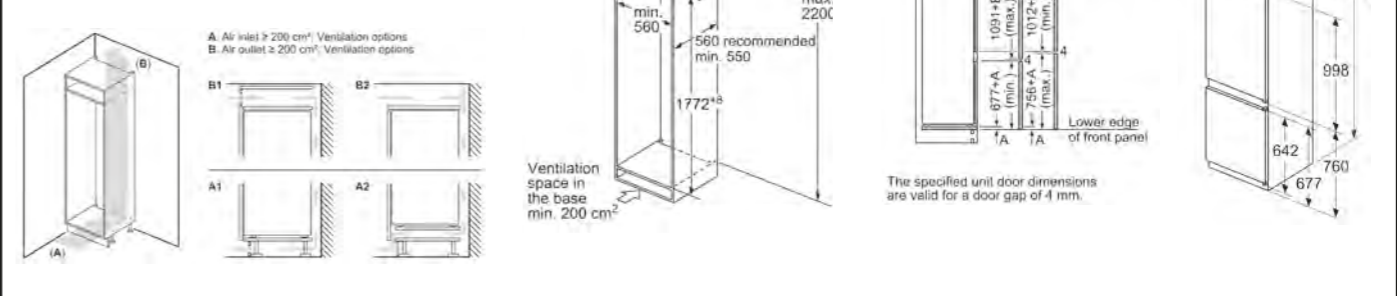
| x 1 (unit depth) | a | b |
|------------------|-----|----|
| | 600 | 0 |
| | 650 | 20 |
| | 700 | 25 |
| x 2 (wall) | | 76 |

| Specifications | |
|----------------|---------------------------------------|
| A | Front is adjustable from 1783 to 1792 |
| B | Cabinet depth |
| C | Depth incl. door, without handle |
| D | Depth incl. door, with handle |
| E | Water connection to the appliance |

**177CM TALL
60/40 SPLIT
FIXED HINGE**
K17862FE0G,
K17861FE0G

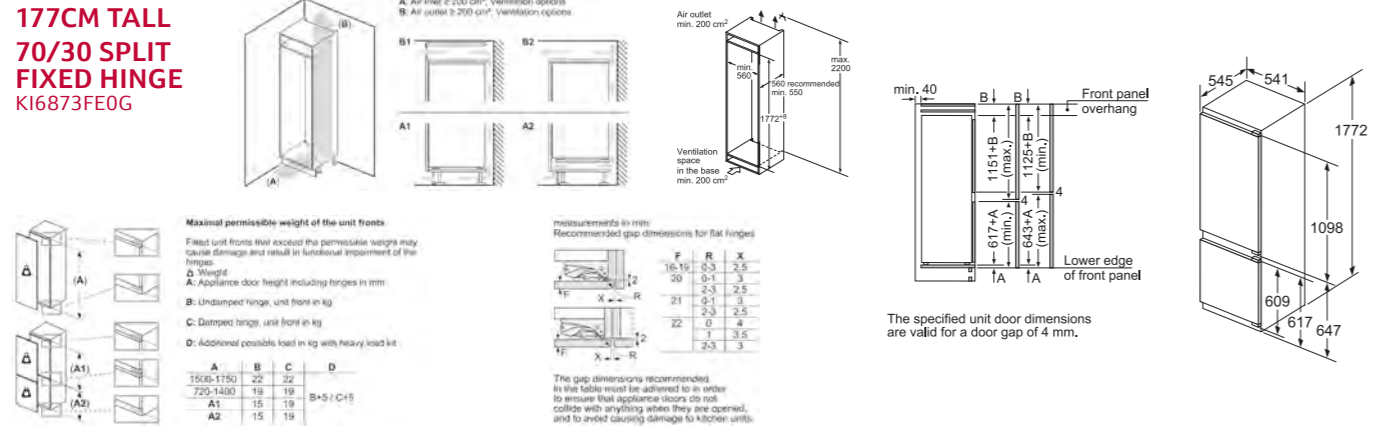


**177CM TALL
60/40 SPLIT
SLIDING HINGE**
K17862SE0G,
K17861SE0G

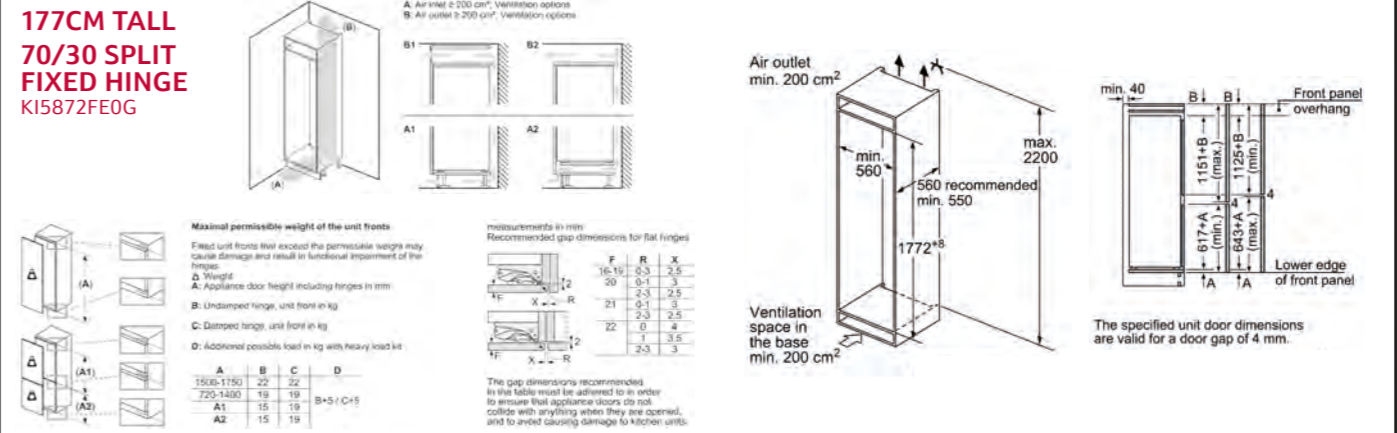


Built-In Fridge Freezers

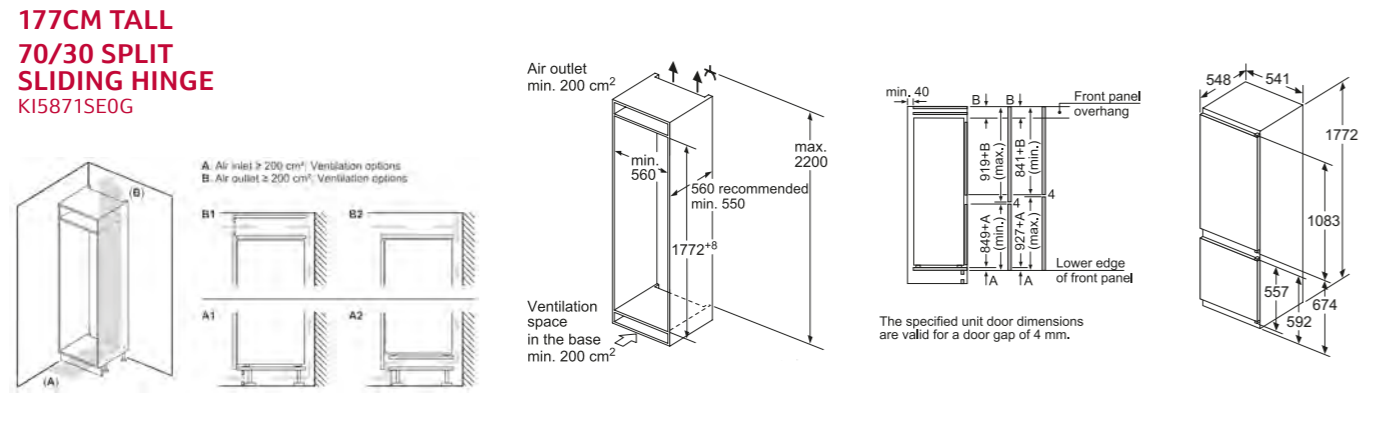
**177CM TALL
70/30 SPLIT
FIXED HINGE**
K16873FE0G



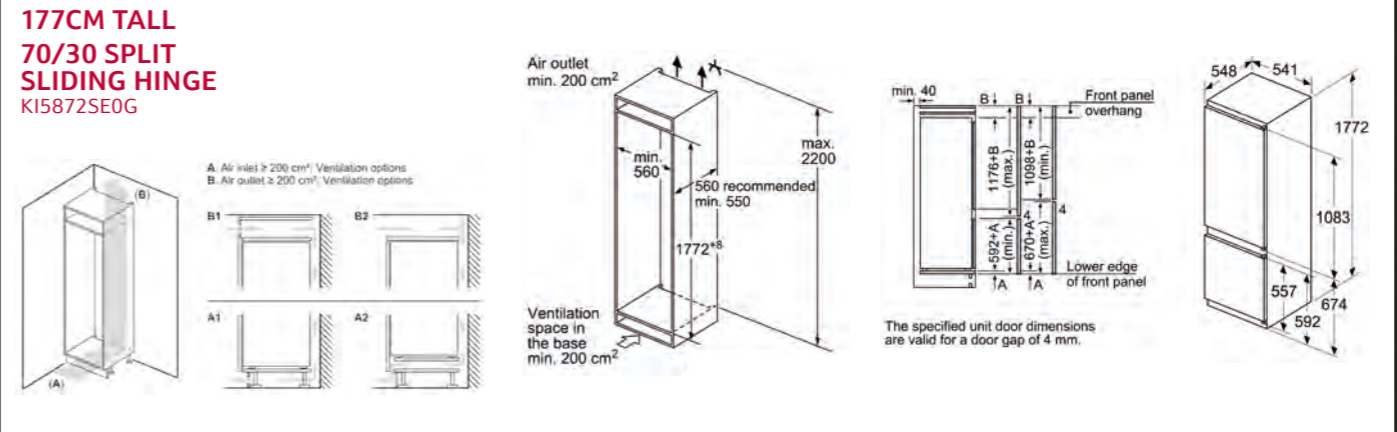
**177CM TALL
70/30 SPLIT
FIXED HINGE**
K15872FE0G



**177CM TALL
70/30 SPLIT
SLIDING HINGE**
K15871SE0G



**177CM TALL
70/30 SPLIT
SLIDING HINGE**
K15872SE0G



THE NEFF OVEN COLLECTIONS

HOBS

VENTILATION

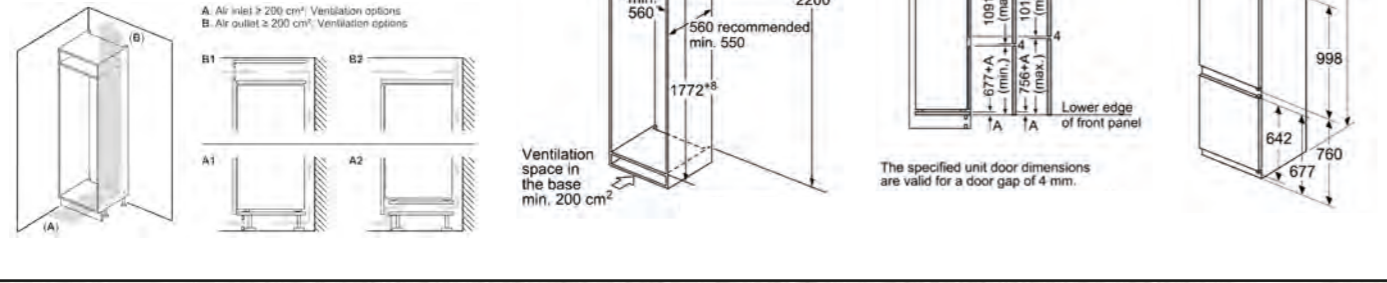
REFRIGERATION

DISHWASHING

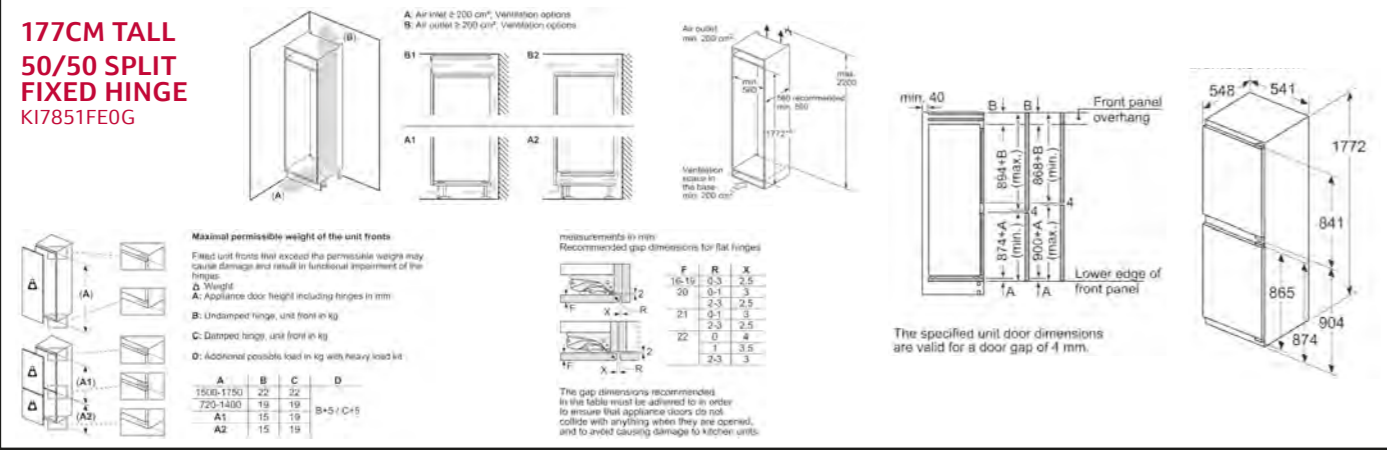
LAUNDRY

Built-In Fridge Freezers

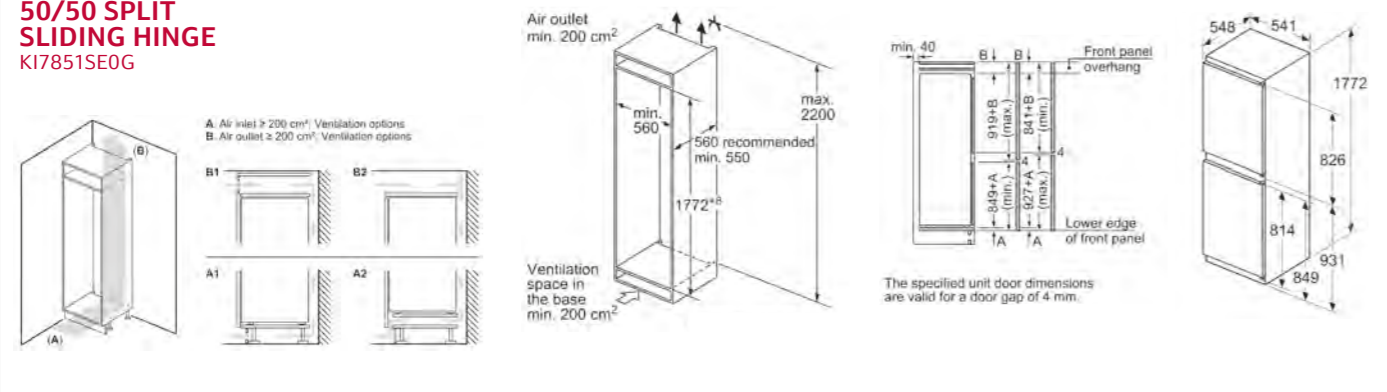
177CM TALL 60/40 SPLIT SLIDING HINGE KI5862SE0G



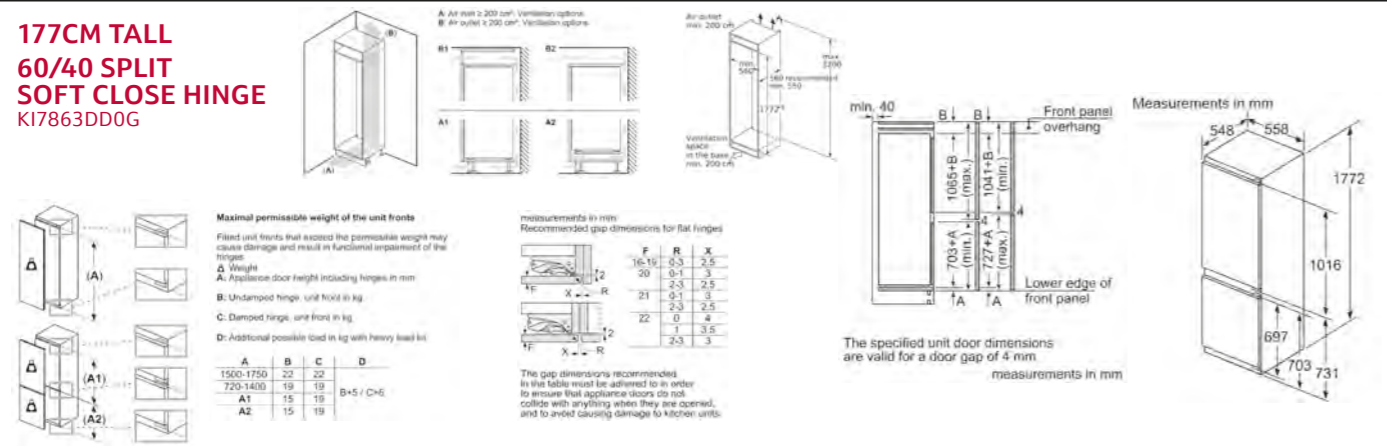
177CM TALL 50/50 SPLIT FIXED HINGE KI7851FE0G



177CM TALL 50/50 SPLIT SLIDING HINGE KI7851SE0G

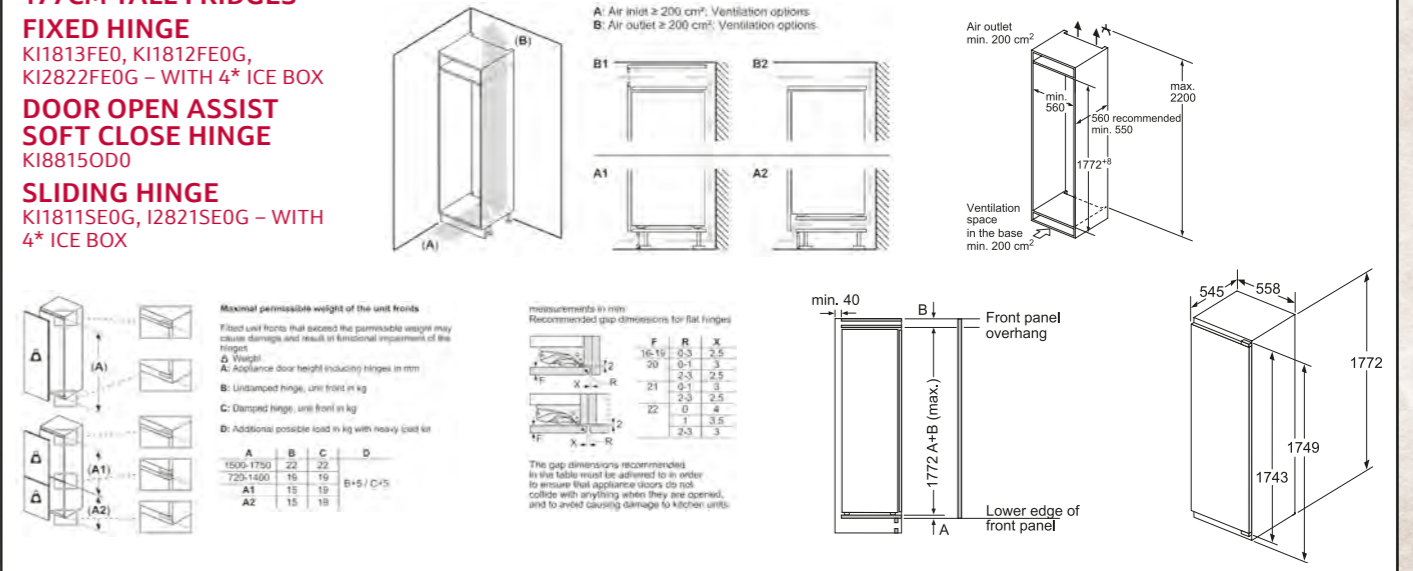


177CM TALL 60/40 SPLIT SOFT CLOSE HINGE KI7863DD0G

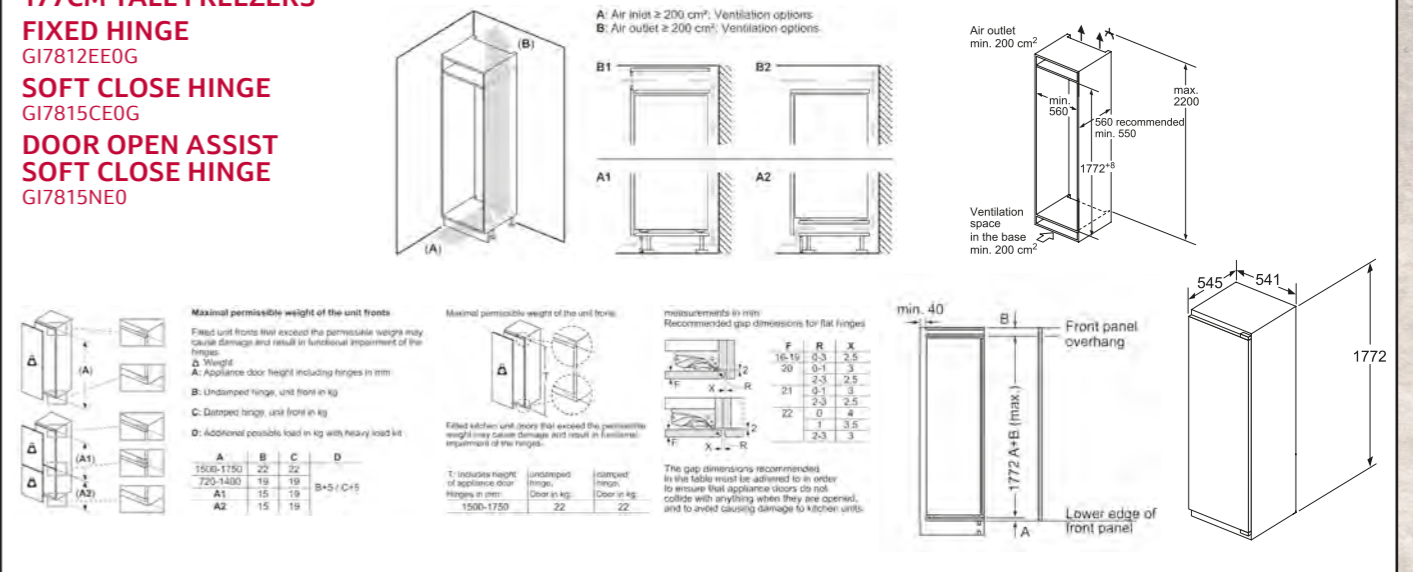


Built-In Single Door Fridges & Freezers

177CM TALL FRIDGES FIXED HINGE KI1813FE0, KI1812FE0G, KI2822FE0G - WITH 4* ICE BOX DOOR OPEN ASSIST SOFT CLOSE HINGE KI8815OD0 SLIDING HINGE KI1811SE0G, I2821SE0G - WITH 4* ICE BOX



177CM TALL FREEZERS FIXED HINGE GI7812EE0G SOFT CLOSE HINGE GI7815CE0G DOOR OPEN ASSIST SOFT CLOSE HINGE GI7815NE0



THE NEFF OVEN COLLECTIONS

HOBS

VENTILATION

REFRIGERATION

DISHWASHING

LAUNDRY

Built-In Single Door Fridges & Freezers

122CM TALL FRIDGES
FIXED HINGE
 KI1412FE0
SLIDING HINGE
 KI1411SE0

min. 40
 B
 Front panel overhang
 1221+A+B (max.)
 Lower edge of front panel
 A
 Air outlet min. 200 cm²
 min. 560
 1221+7
 max. 2200
 560 recommended min. 550
 Ventilation space in the base min. 200 cm²

102CM TALL FRIDGE
SLIDING HINGE
 KI1311SE0

min. 40
 B
 Front panel overhang
 1021+A+B (max.)
 Lower edge of front panel
 A
 Air outlet min. 200 cm²
 min. 560
 1021+7
 max. 2200
 560 recommended min. 550
 Ventilation space in the base min. 200 cm²

88CM TALL FRIDGES
FIXED HINGE
 KI1212FE0
SLIDING HINGE
 KI1211SE0

88CM TALL FREEZER
SOFT CLOSE HINGE
 GI1216DE0

min. 40
 B
 Front panel overhang
 874+A+B (max.)
 Lower edge of front panel
 A
 Air outlet min. 200 cm²
 min. 560
 874+7
 max. 2200
 560 recommended min. 550
 Ventilation space in the base min. 200 cm²

Built-In Single Door Fridges & Freezers

82CM TALL FRIDGES
FIXED HINGE WITH ICE BOX
 KU2222FD0G
FIXED HINGE
 KU1212FE0G

82CM TALL FREEZER
FIXED HINGE
 GU7212FE0G

Measurements in mm

A: Substructure height
 B: ≥ 560 mm (recommended)

Space for electrical connection next to the appliance on the left or right side

| F | R | X |
|-------|-----|-----|
| 16-19 | 0-3 | 2,5 |
| 20 | 0-1 | 3 |
| 2-3 | 2-3 | 2,5 |
| 21 | 0-1 | 3 |
| 2-3 | 2-3 | 2,5 |
| 22 | 0 | 4 |
| 1 | 1 | 3,5 |
| 2-3 | 2-3 | 3 |

Measurements in mm

Maximal permissible weight of the unit fronts

Measurements in mm

Recommended gap dimensions for flat hinges

Measurements in mm

A: Air inlet ≥ 200 cm²

A: Weight ≤ 12 kg

Fitted unit fronts that exceed the permissible weight may cause damage and result in functional impairment of the hinges

The gap dimensions recommended in the table must be adhered to in order to ensure that appliance doors do not collide with anything when they are opened, and to avoid causing damage to kitchen units.

72CM TALL FREEZER
FIXED HINGE
 GI1113FE0

min. 40
 B
 Front panel overhang
 712+A+B (max.)
 Lower edge of front panel
 A
 Air outlet min. 200 cm²
 min. 560
 712+7
 max. 2200
 560 recommended min. 550
 Ventilation space in the base min. 200 cm²

An intermediate floor is required

NEFF DISHWASHER Range



5 Year Warranty

Peace of mind built-in – all of NEFF's dishwashers are covered by our **5 year warranty** – clearly marked in the matrix tables. Further warranty information can be found on NEFF Customer Service pages 190-191.

Dishwasher Solutions



Clean dishes, whatever your wishes.

- Range includes fully integrated, semi-integrated and slimline.
- Flexible installation solutions including 81.5cm and 86.5cm Vario Hinge options.
- Comprehensive range of cleaning features including Chef 70°C and Eco 50°C as standard.



Full Size Dishwashers

Designed to be as flexible and accommodating as possible, our full-sized dishwashers have adjustable baskets and racks to hold large or awkward items, as well as a choice of wash cycles, from intensive to delicate.



Featured model:
S187ZCX03G
N70 60cm Fully
Integrated
Dishwasher

Slimline Dishwashers

Where space is an issue, our Slimline model **S875HKX21G** is ideal. Just 45cm wide, it fits into the smallest of spaces, but still offers all the features of a full size model. It's surprisingly roomy and able to cope with nine place settings at a time.



Featured model:
S875HK21G N50
45cm Fully Integrated
Dishwasher

Feature Highlights

- All dishwasher models can be controlled by the NEFF Home Connect app
- Water consumption – 60cm width 9.5L/45cm width 8.5L
- 10 year anti-rust warranty
- Noise level 42 - 48dB

The models from the collections can include:

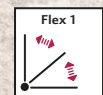
| SERIES FUNCTIONS | | | |
|-----------------------|-------|-------|-------|
| Product Function | N 70* | N 50* | N 30* |
| Flex 2 Baskets | • | • | |
| Flex 1 Baskets | | | • |
| Flex Cutlery Drawer | • | • | • |
| Number of Options | 5 | 5 | 5 |
| Timelight / Infolight | •/ | •/• | /• |
| DoorOpen Assist | • | • | |
| Open Dry | • | | |
| White Emotion Light | • | | |
| Zeolith | • | | |
| Intelligent | | | |
| Gap Illumination | | • | |
| Vario Hinge | | • | |

*The features included in each collection are an overview only. Please ensure you check the product detail for exact features of each model.

Dishwasher Flexibility

Flex Baskets

Fitting casserole dishes, large pans, full dinner sets and tall-stem wine glasses into a dishwasher can be a challenge – especially when you're cleaning your most robust cookware alongside delicate items. Our Flex Baskets are designed to accommodate those bulkier items and provide an even, thorough clean. We have two options of basket flexibility to choose from.



Flex 1

Two foldable flip tines in the top basket and two foldable flip tines in the bottom basket offer quick and easy loading flexibility for safe positioning of glasses, cups, pots and pans.



Flex 2

Two foldable flip tines in the top basket and four foldable flip tines in the bottom basket offer quick and easy loading flexibility for safe positioning of glasses, cups, pots and pans.



Flex 3

Six foldable flip tines in the top basket and eight foldable flip tines in the bottom basket offer quick and easy loading flexibility for safe positioning of glasses, cups, pots and pans.



Flex Cutlery Drawer

Transform your third loading level into a versatile cutlery drawer. It handily clicks into place whenever you need a tailor-made space for your forks, knives, and small kitchen utensils.



Rack-Matic

Allows the top basket to be raised and lowered as needed as well as run on an angle to cater for the wine glasses at the end of the night.

Backlit Push Button Control with LED Display

| FULLY INTEGRATED DISHWASHER 60CM WIDTH | | | | | | | | | |
|---|------------------|---------------|----------------|----------------------------|-------------|----------------------|-----------------|--------------|--|
| Description | No of Programmes | Energy Rating | Place Settings | Energy / Water Consumption | Noise Level | VarioHinge | DoorOpen Assist | Model Number | |
| Flex 3 Baskets with Zeolith | 9 | A | 14 | 54kWh / 9.5L | 44dB | 81.5cm / Vario Hinge | • | S197YCX05G | |
| Flex 2 Baskets with Zeolith | 7 | B | 14 | 65kWh / 9L | 40dB | | • | S187ZCX03G | |
| Flex 2 Baskets with Vario Hinge, 86.5cm height | 7 | D | 14 | 85kWh / 9L | 42dB | 86.5cm / Vario Hinge | • | S295HCX02G | |
| Flex 2 Baskets with Vario Hinge, 81.5cm height | 7 | D | 14 | 85kWh / 9L | 42dB | 81.5cm / Vario Hinge | • | S195HCX02G | |
| Flex 1 Baskets with Vario Hinge, 81.5cm height | 7 | D | 13 | 84kWh / 9L | 46dB | 81.5cm / Vario Hinge | | S175HTX06G | |
| Flex 2 Baskets with Rack Matic and Time Light | 7 | C | 14 | 75kWh / 9L | 40dB | | | S155ECX07G | |
| Flex 2 Baskets with Rack Matic and Info Light | 7 | D | 14 | 85kWh / 9L | 46dB | | | S155HVX00G | |
| SEMI INTEGRATED DISHWASHER 60CM WIDTH | | | | | | | | | |
| Flex 1 Baskets with 24hr Time Delay | 7 | D | 13 | 84kWh / 9L | 46dB | | | S145HTS01G | |
| FULLY INTEGRATED SLIMLINE DISHWASHER 45CM WIDTH | | | | | | | | | |
| Flex 2 Baskets with Rack Matic and Info Light | 7 | E | 10 | 76kWh / 8.9L | 44dB | 81.5cm / Vario Hinge | | S875HKX21G | |

Toggle Control with LED Display

| FULLY INTEGRATED DISHWASHER 60CM WIDTH | | | | | | |
|---|------------------|---------------|----------------|----------------------------|-------------|--------------|
| Features | No of Programmes | Energy Rating | Place Settings | Energy / Water Consumption | Noise Level | Model Number |
| Flex 1 Baskets with Info Light | 6 | D | 13 | 84kWh / 9L | 42dB | S153HKX03G |
| Normal Baskets with Info Light | 6 | D | 13 | 84kWh / 9L | 46dB | S153HTX02G |
| Accessories | | | | | | Model Number |
| Decor strip - For full size Polinox base models, 81.5cm height | | | | | | Z780BI02 |
| Decor strip - For full size and slimline Stainless Steel base models, 81.5cm height | | | | | | Z780BI01 |
| Decor strip - For full size Stainless Steel base models, 86.5cm height | | | | | | Z780BI11 |
| Decor strip - For full size Stainless Steel base models installed off the ground, 81.5cm height | | | | | | Z7860X3 |
| Decor strip - For full size Stainless Steel base models installed off the ground, 86.5cm height | | | | | | Z7861X3 |
| Split door furniture connection rail | | | | | | Z788BI00 |
| Cutlery Basket - 60cm Dishwashers | | | | | | Z7863X0 |

THE NEFF OVEN COLLECTIONS

HOBS

VENTILATION

REFRIGERATION

DISHWASHING

LAUNDRY

Key Functions Guide

Design Features



AQUA STOP

Protects inlet and outlet hoses from leakage. A safety valve prevents any more water from entering the dishwasher and overflowing – even when the machine is off.



OPEN DRY

No need to manually open the door of your dishwasher to allow the load to cool off. Open Dry takes care of that by opening the door automatically during the drying phase.



INFO LIGHT

Info Light projects a red light onto the floor that showcases clearly that this dishwasher is in operation. Info Light is available for fully integrated dishwashers.



HEAT EXCHANGER

Ensures that the drying phase of programmes is energy efficient and glassware is fully protected by preventing extreme temperatures.



DOOR OPEN ASSIST

Door Open Assist is the perfect solution for anybody looking to achieve a sleek, handleless design in their kitchen. Simply press lightly on the front of the unit to open the dishwasher door. Ideal for a range of integrated designs, Door Open Assist is also a convenient addition to busy kitchens. Electronic child lock can be activated, creating a double push to open.



ZEOLITH

The Zeolith compartment, located under the dishwasher cavity, contains natural minerals. During the drying phase, these minerals absorb moisture and release hot air. This ensures efficient drying and leaves an impressive sheen on items of all shapes and sizes, including difficult-to-dry plastic goods. And because they recharge during the next washing cycle, you get great, longlasting drying results, without the maintenance worries.



GAP ILLUMINATION

Gap Illumination shines a soft white light on the side of the dishwasher to indicate the dishwasher is running. If you pause the cycle or open the door, the light will start blinking. This feature is available across Vario Hinge models.



TIME LIGHT

Time Light projects the remaining time as well as the ongoing process of the programme on any type of kitchen floor. Time Light is available for fully integrated dishwashers and washing machines.



VARIO HINGE

Vario Hinge lets you install your dishwasher at floor level or higher. When you open the door, it lifts up the front panel so that it opens freely and doesn't make contact with the base underneath. Now you don't have to compromise on kitchen design, and your dishwasher will combine effortlessly with every other unit.



EMOTION LIGHT

LED lights in the front edge light up the dishwasher cavity.



GLASS CARE SYSTEM

Your dishwasher has a thing for delicate glassware, so it fine-tunes the water hardness to protect your glassware with never-ending care. A combination of the Glass 40° programme and Extra Shine option will clean your items impeccably without worry. With the introduction of anti-slip surfaces, silicon inserts and supports within Flex 2 baskets your glassware has never been more protected.

Programmes



FAVOURITE

Choose a programme, option, or combination on your dishwasher and save it as "Favourite", either via the NEFF Home Connect app or directly on the dishwasher.



1 HOUR 65°

No need to stack your dinner or party dishes for hours, simply load the dishwasher again. This function cleans and dries dishes in only 60 minutes. Spend more quality time with family and friends while enjoying food and tales using your favourite tableware.



EASY CLEAN

Give your dishwasher a deep clean with the new Easy Clean programme. Simply run the high temperature setting, together with some dishwasher cleaner, in an empty machine to remove limescale and grease from inside the cavity.



SILENCE

Select 'Silence on demand' on the NEFF Home Connect app whenever you wish for peace and calm. On activation, the cycle will pause for 30 minutes. You have the flexibility to restart the cycle at anytime if you wish; after 30 minutes the programme will resume.



AUTOMATIC PROGRAMMES

Take the worry out of selecting exactly the right programme and let the machine do it for you. The programme automatically changes settings to ensure you get the best clean for your load.



CHEF 70°C

With a hotter setting and a powerful spray, the Chef 70° programme is perfect for cleaning even the dirtiest pots, pans and cooking utensils. Items placed in the lower basket are subject to higher spray pressures, eliminating the need for soaking and effectively removing even the most stubborn stains.

Special Functions



EXTRA SPEED

Depending on the selected programme, you can reduce the running time of your dishwasher's programme to up to 66%. Make more of your quality time and enjoy optimum cleaning and drying results - while Extra Speed takes care of the load up to three times faster.



POWER ZONE

Activates higher wash temperatures and increases the spray arm pressure in the bottom basket, while maintaining a more gentle wash in the top basket.



EXTRA SHINE

By increasing the amount of water during the rinse cycle and extending the drying phase, water marks are prevented and the drying result is further improved.

EXTRA HYGIENE

Provides a hotter final rinse, with 70°C water for 10 minutes, to effectively cleanse items such as chopping boards and cooking utensils*.

10-YEAR, ANTI-RUST WARRANTY

Due to advanced materials and manufacturing technologies, in addition to our standard appliance warranty, we're able to provide a free-of-charge warranty against the rusting-through of the dishwasher's inner cavity.

*Please note this programme does not sterilise.

60cm Fully Integrated Dishwashers

ZEOLITH

S197YCX05G | N70
(AVAILABLE JUNE 2025*)

- Flex 3 baskets
- Zeolith Technology
- Vario Hinge - 81.5cm

- Open Dry
- Gap Illumination

- Door open assist



S187ZCX03G | N70

- Flex 2 baskets
- Zeolith Technology

- Time Light
- Quiet - 40dB
- Door open assist



| | | |
|--|---|---|
| Control panel colour | Stainless steel | Stainless steel |
| Height (cm) / Hinge type | 81.5 / Vario Hinge | 81.5 / Fixed |
| DESIGN FEATURES | | |
| Drying system | Zeolith / Open Dry | Zeolith |
| Home Connect Wi-Fi connectivity | • | • |
| Control panel type | Touch control + LED | Push buttons + LED |
| Basket description | Flex 3 | Flex 2 |
| Flex Cutlery Drawer (3rd loading level) | Flex Cutlery Drawer | Flex Cutlery Drawer |
| Status indicator | Gap Illumination (White) | Time Light (White) |
| Door open assist | • | • |
| Glass care technology | • | • |
| Anti-slip protection / stemware support upper basket | • / • | • / • |
| Adjustable upper basket ⁶ | Rack Matic 3-stage | Rack Matic 3-stage |
| Number of flip tines in upper / lower basket | 6 / 8 | 6 / 6 |
| Cup shelves upper / lower baskets | 2 / 2 | 2 / 2 |
| Cutlery holder lower basket | • | • |
| Largest loadable dish upper ⁷ / lower basket (cm) | 21 / 30 | 21 / 30 |
| Aqua sensor | • | • |
| Real-time clock | • | • |
| Start delay time max hours | 24 | 24 |
| Emotion light (interior lighting) | • | • |
| End of cycle indicator | Acoustic | Acoustic |
| Salt / Rinse aid light indicator | • / • | • / • |
| Self cleaning filter system | • | • |
| Flood protection system | Aqua Stop | Aqua Stop |
| Safety features | Door lock | Door lock |
| PROGRAMMES / FUNCTIONS | | |
| List of programmes | Intelligent 40 °C, Eco 50 °C, Auto 45-65 °C, Chef 70 °C, Classic 60 °C, Express 45 °C, Glass 40 °C, Favourite, Easy Clean | Eco 50 °C, Auto 45-65 °C, Chef 70 °C, Classic 60 °C, Glass 40 °C, Favourite, Easy Clean |
| Additional special options | Remote Start, Extra Shine, Power Zone, Extra Speed | Remote Start, Extra Shine, Power Zone, Extra Speed |
| TECHNICAL SPECIFICATIONS | | |
| Reference programme for measurements | Eco 50 °C | Eco 50 °C |
| Energy efficiency class ¹ | A | B |
| Energy ² / water ³ : kWh / litres | 54 / 9,5 | 65 / 9 |
| Load capacity (place settings) | 14 | 14 |
| Programme duration ⁴ : h:min | 4:55 | 3:35 |
| Noise level: dB (A) re 1 pW | 44 | 40 |
| Noise efficiency class | B | B |
| Noise level (silence programme): dB (A) re 1 pW | 175 | 175 |
| Length of electrical supply cord (cm) | 175 | 175 |
| Length inlet / outlet hose (cm) | 165 / 190 | 165 / 190 |
| Maximum height for installation (mm) | 875 | 875 |
| Maximum height adjustability feet (mm) | 60 | 60 |
| Maximum width for installation (mm) | 600 | 600 |
| Height of the product (mm) | 815 | 815 |
| Width / Depth of the product (mm) | 598 / 550 | 598 / 550 |
| Net weight / Gross weight (kg) | 39.6 / 44 | 46.1 / 48 |
| Water softener ⁵ | • | • |
| Maximum accepted water hardness (°DH) | 50 | 50 |
| Maximum temperature for water intake (°C) | 60 | 60 |
| Interior cavity | Stainless steel | Stainless steel |
| Included accessories | Steam protection strip | Steam protection strip |

All of our dishwashers have Aqua Stop water protection, detergent aware, Dosage Assist and a door lock as standard. All NEFF dishwashers are suitable for use with doors from 2.5kg-8.5kg apart from SlimLine S875HKX20G (2.5kg to 7.5kg) and VarioHinge models S195HCX26G and S295HCX26G (4.5kg to 11.0kg) if the correct door springs are installed.

VARIO HINGE

S295HCX02G | N50

- Flex 2 baskets
- Vario Hinge - 86.5cm height

- Gap Illumination

- Door open assist
- Flex Cutlery Drawer



S195HCX02G | N50

- Flex 2 baskets
- Vario Hinge - 81.5cm height

- Gap Illumination

- Door open assist
- Flex Cutlery Drawer



S175HTX06G | N50

- Flex 1 baskets
- Vario Hinge - 81.5cm height

- Info Light



| | | | |
|--|---|---|---|
| Control panel colour | Stainless steel | Stainless steel | Stainless steel |
| Height (cm) / Hinge type | 86.5 / Vario Hinge | 81.5 / Vario Hinge | 81.5 / Vario Hinge |
| DESIGN FEATURES | | | |
| Drying system | Heat exchanger | Heat exchanger | Heat exchanger |
| Home Connect Wi-Fi connectivity | • | • | • |
| Control panel type | Push buttons + LED | Push buttons + LED | Push buttons + LED |
| Basket description | Flex 2 | Flex 2 | Flex 1 |
| Flex Cutlery Drawer (3rd loading level) | Flex Cutlery Drawer | Flex Cutlery Drawer | Flex 1 |
| Status indicator | Gap Illumination (White) | Gap Illumination (White) | Info Light (Red) |
| Door open assist | • | • | • |
| Glass care technology | • | • | • |
| Anti-slip protection / stemware support upper basket | • / • | • / • | • |
| Adjustable upper basket ⁶ | Rack Matic 3-stage | Rack Matic 3-stage | Height adjustable top basket |
| Number of flip tines in upper / lower basket | 6 / 6 | 6 / 6 | - / 2 |
| Cup shelves upper / lower baskets | 2 / 2 | 2 / 2 | 2 / - |
| Cutlery holder lower basket | • | • | • |
| Largest loadable dish upper ⁷ / lower basket (cm) | 23 / 33 | 21 / 30 | 27 / 30 |
| Aqua sensor | • | • | • |
| Real-time clock | • | • | • |
| Start delay time max hours | 24 | 24 | 24 |
| Emotion light (interior lighting) | • | • | • |
| End of cycle indicator | Acoustic | Acoustic | Acoustic |
| Salt / Rinse aid light indicator | • / • | • / • | • / • |
| Self cleaning filter system | • | • | • |
| Flood protection system | Aqua Stop | Aqua Stop | Aqua Stop |
| Safety features | Door lock | Door lock | Door lock |
| PROGRAMMES / FUNCTIONS | | | |
| List of programmes | Eco 50 °C, Auto 45-65 °C, Chef 70 °C, Classic 60 °C, Glass 40 °C, Favourite, Easy Clean | Eco 50 °C, Auto 45-65 °C, Chef 70 °C, Classic 60 °C, Glass 40 °C, Favourite, Easy Clean | Eco 50 °C, Auto 45-65 °C, Chef 70 °C, Classic 60 °C, Glass 40 °C, Favourite, Easy Clean |
| Additional special options | Remote Start, Extra Dry, Power Zone, Extra Speed | Remote Start, Extra Dry, Power Zone, Extra Speed | Remote Start, Extra Dry, Power Zone, Extra Speed |
| TECHNICAL SPECIFICATIONS | | | |
| Reference programme for measurements | Eco 50 °C | Eco 50 °C | Eco 50 °C |
| Energy efficiency class ¹ | D | D | D |
| Energy ² / water ³ : kWh / litres | 85 / 9 | 85 / 9 | 84 / 9 |
| Load capacity (place settings) | 14 | 14 | 13 |
| Programme duration ⁴ : h:min | 4:30 | 4:30 | 4:30 |
| Noise level: dB (A) re 1 pW | 42 | 42 | 46 |
| Noise efficiency class | B | B | C |
| Noise level (silence programme): dB (A) re 1 pW | 175 | 175 | 175 |
| Length of electrical supply cord (cm) | 175 | 175 | 175 |
| Length inlet / outlet hose (cm) | 165 / 190 | 165 / 190 | 165 / 190 |
| Maximum height for installation (mm) | 925 | 875 | 875 |
| Maximum height adjustability feet (mm) | 60 | 60 | 60 |
| Maximum width for installation (mm) | 600 | 600 | 600 |
| Height of the product (mm) | 865 | 815 | 815 |
| Width / Depth of the product (mm) | 598 / 550 | 598 / 550 | 598 / 550 |
| Net weight / Gross weight (kg) | 39 / 41 | 37 / 39 | 31 / 34 |
| Water softener ⁵ | • | • | • |
| Maximum accepted water hardness (°DH) | 50 | 50 | 50 |
| Maximum temperature for water intake (°C) | 60 | 60 | 60 |
| Interior cavity | Stainless steel | Stainless steel | Stainless steel / Polinox |
| Included accessories | Steam protection strip | Steam protection strip | Steam protection strip |

• = Yes, model has this feature

¹ On an energy-efficiency class scale from A to G.

² Energy consumption in kWh/100 operating cycles (using Eco programme).

³ Water consumption in litres/operating cycle (using Eco programme).

⁴ Duration of Eco programme.

⁵ We would recommend our dishwashers are connected to the mains water supply where possible. However, they may also be connected to an external water softener as long as the

water softener produces softened water of less than 1.1 mmo/litre (7.0°e) and the water softener in the appliance is turned off. Please contact product advice for further information. Water pressure required: 0.5-10 Bar. Flow rate: 10 litres per minute. Inlet valve connected directly to 3/4" screwed joint.

⁶ Adjustable upper basket is 2-stage Rackmatic™ when Flex 3rd Basket is installed.

⁷ Largest loadable dish height in upper basket will be smaller when Flex 3rd Basket is installed.

60cm Fully & Semi Integrated Dishwashers

RACK MATIC

| S155ECX07G N50 | S155HVX00G N50 |
|---|---|
| <ul style="list-style-type: none"> Flex 2 baskets Rack Matic 3-stage Time Light Quiet – 40dB Flex Cutlery Drawer | <ul style="list-style-type: none"> Flex 2 baskets Rack Matic 3-stage Info Light Flex Cutlery Drawer |
|  |  |
| Stainless steel | Stainless steel |
| 81.5 / Fixed | 81.5 / Fixed |

| | | |
|--|---|---|
| Control panel colour | Stainless steel | Stainless steel |
| Height (cm) / Hinge type | 81.5 / Fixed | 81.5 / Fixed |
| DESIGN FEATURES | | |
| Drying system | Heat exchanger | Heat exchanger |
| Home Connect Wi-Fi connectivity | • | • |
| Control panel type | Push buttons + LED | Push buttons + LED |
| Basket description | Flex 2 | Flex 2 |
| Flex Cutlery Drawer (3rd loading level) | Flex Cutlery Drawer | Flex Cutlery Drawer |
| Status indicator | Time Light (White) | Info Light (Red) |
| Door open assist | • | • |
| Glass care technology | • | • |
| Anti-slip protection / stemware support upper basket | • / • | • |
| Adjustable upper basket ⁶ | Rack Matic 3-stage | Rack Matic 3-stage |
| Number of flip tines in upper / lower basket | 6 / 6 | 2 / 4 |
| Cup shelves upper / lower baskets | 2 / 2 | 2 / - |
| Cutlery holder lower basket | • | • |
| Largest loadable dish upper ⁷ / lower basket (cm) | 21 / 30 | 21 / 30 |
| Aqua sensor | • | • |
| Real-time clock | • | • |
| Start delay time max hours | 24 | 24 |
| Emotion light (interior lighting) | • | • |
| End of cycle indicator | Acoustic | Acoustic |
| Salt / Rinse aid light indicator | • / • | • / • |
| Self cleaning filter system | • | • |
| Flood protection system | Aqua Stop | Aqua Stop |
| Safety features | Door lock | Door lock |
| PROGRAMMES / FUNCTIONS | | |
| List of programmes | Eco 50 °C, Auto 45-65 °C, Chef 70 °C, Classic 60 °C, Glass 40 °C, Favourite, Easy Clean | Eco 50 °C, Auto 45-65 °C, Chef 70 °C, Classic 60 °C, Glass 40 °C, Favourite, Easy Clean |
| Additional special options | Remote Start, Extra Dry, Power Zone, Extra Speed | Remote Start, Extra Dry, Power Zone, Extra Speed |
| TECHNICAL SPECIFICATIONS | | |
| Reference programme for measurements | Eco 50 °C | Eco 50 °C |
| Energy efficiency class ¹ | C | D |
| Energy ² / water ³ : kWh / litres | 75 / 9 | 85 / 9 |
| Load capacity (place settings) | 14 | 14 |
| Programme duration ⁴ : h:min | 3:20 | 4:30 |
| Noise level: dB (A) re 1 pW | 40 | 46 |
| Noise efficiency class | C | C |
| Noise level (silence programme): dB (A) re 1 pW | 175 | 175 |
| Length of electrical supply cord (cm) | 175 | 175 |
| Length inlet / outlet hose (cm) | 165 / 190 | 165 / 190 |
| Maximum height for installation (mm) | 875 | 875 |
| Maximum height adjustability feet (mm) | 60 | 60 |
| Maximum width for installation (mm) | 600 | 600 |
| Height of the product (mm) | 815 | 815 |
| Width / Depth of the product (mm) | 598 / 550 | 598 / 550 |
| Net weight / Gross weight (kg) | 36 / 38 | 34 / 38 |
| Water softener ⁵ | • | • |
| Maximum accepted water hardness (°DH) | 50 | 50 |
| Maximum temperature for water intake (°C) | 60 | 60 |
| Interior cavity | Stainless steel | Stainless steel / Polinox |
| Included accessories | Steam protection strip | Steam protection strip |

All of our dishwashers have Aqua Stop water protection, detergent aware, Dosage Assist and a door lock as standard. All NEFF dishwashers are suitable for use with doors from 2.5kg-8.5kg apart from SlimLine S875HKX20G (2.5kg to 7.5kg) and VarioHinge models S195HCX26G and S295HCX26G (4.5kg to 11.0kg) if the correct door springs are installed.

INFO LIGHT

| S153HKX03G N30 | S153HTX02G N30 | SEMI-INTEGRATED |
|--|--|--|
| S153HKX03G N30 | S153HTX02G N30 | S145HTS01G N50 |
| <ul style="list-style-type: none"> Flex 1 baskets Height adjustable top basket Info Light | <ul style="list-style-type: none"> Normal baskets Info Light | <ul style="list-style-type: none"> Flex 1 baskets Height adjustable top basket |
|  |  |  |
| Stainless steel | Stainless steel | Stainless steel |
| 81.5 / Fixed | 81.5 / Fixed | 81.5 / Fixed |

| | | | |
|--|---|--|--|
| Control panel colour | Stainless steel | Stainless steel | Stainless steel |
| Height (cm) / Hinge type | 81.5 / Fixed | 81.5 / Fixed | 81.5 / Fixed |
| DESIGN FEATURES | | | |
| Drying system | Heat exchanger | Heat exchanger | Heat exchanger |
| Home Connect Wi-Fi connectivity | • | • | • |
| Control panel type | Toggle control + LED | Toggle control + LED | Push buttons + LED |
| Basket description | Flex 1 | Normal | Flex 1 |
| Flex Cutlery Drawer (3rd loading level) | • | • | • |
| Status indicator | Info Light (Red) | Info Light (Red) | • |
| Door open assist | • | • | • |
| Glass care technology | • | • | • |
| Anti-slip protection / stemware support upper basket | • | • | • |
| Adjustable upper basket ⁶ | Height adjustable top basket | • | Height adjustable top basket |
| Number of flip tines in upper / lower basket | - / 2 | - / - | - / 2 |
| Cup shelves upper / lower baskets | 2 / - | 2 / - | 2 / - |
| Cutlery holder lower basket | • | • | • |
| Largest loadable dish upper ⁷ / lower basket (cm) | 27 / 30 | 22 / 30 | 27 / 30 |
| Aqua sensor | • | • | • |
| Real-time clock | • | • | • |
| Start delay time max hours | 9 | 9 | 24 |
| Emotion light (interior lighting) | • | • | • |
| End of cycle indicator | Acoustic | Acoustic | • / • |
| Salt / Rinse aid light indicator | • / • | • / • | • / • |
| Self cleaning filter system | • | • | • |
| Flood protection system | Aqua Stop | Aqua Stop | Aqua Stop |
| Safety features | Door lock | Door lock | Control panel lock, door lock |
| PROGRAMMES / FUNCTIONS | | | |
| List of programmes | Eco 50 °C, Auto 45-65 °C, Chef 70 °C, Classic 60 °C, Glass 40 °C, Favourite, Easy Clean | Eco 50 °C, Auto 45-65 °C, Chef 70 °C, Classic 60 °C, Favourite, Easy Clean | Eco 50 °C, Auto 45-65 °C, Chef 70 °C, 1h 65 °C, Glass 40 °C, Favourite, Easy Clean |
| Additional special options | Remote Start, Extra Dry, Power Zone, Extra Speed | Remote Start, Extra Dry, Power Zone, Extra Speed | Remote Start, Extra Dry, Power Zone, Extra Speed |
| TECHNICAL SPECIFICATIONS | | | |
| Reference programme for measurements | Eco 50 °C | Eco 50 °C | Eco 50 °C |
| Energy efficiency class ¹ | D | D | D |
| Energy ² / water ³ : kWh / litres | 84 / 9 | 84 / 9 | 84 / 9 |
| Load capacity (place settings) | 13 | 13 | 13 |
| Programme duration ⁴ : h:min | 4:30 | 4:30 | 4:30 |
| Noise level: dB (A) re 1 pW | 42 | 46 | 46 |
| Noise efficiency class | B | C | C |
| Noise level (silence programme): dB (A) re 1 pW | 175 | 175 | 175 |
| Length of electrical supply cord (cm) | 165 / 190 | 165 / 190 | 165 / 190 |
| Maximum height for installation (mm) | 875 | 875 | 875 |
| Maximum height adjustability feet (mm) | 60 | 60 | 60 |
| Maximum width for installation (mm) | 600 | 600 | 600 |
| Height of the product (mm) | 815 | 815 | 815 |
| Width / Depth of the product (mm) | 598 / 550 | 598 / 550 | 598 / 573 |
| Net weight / Gross weight (kg) | 32 / 34 | 30 / 32 | 31 / 34 |
| Water softener ⁵ | • | • | • |
| Maximum accepted water hardness (°DH) | 35 | 50 | 50 |
| Maximum temperature for water intake (°C) | 60 | 60 | 60 |
| Interior cavity | Stainless steel | Stainless steel / Polinox | Stainless steel / Polinox |
| Included accessories | Steam protection strip | Steam protection strip | Steam protection strip |

• = Yes, model has this feature

¹ On an energy-efficiency class scale from A to G.

² Energy consumption in kWh/100 operating cycles (using Eco programme).

³ Water consumption in litres/operating cycle (using Eco programme).

⁴ Duration of Eco programme.

⁵ We would recommend our dishwashers are connected to the mains water supply where possible. However, they may also be connected to an external water softener as long as the

water softener produces softened water of less than 1.1 mmo/litre (7.0°e) and the water softener in the appliance is turned off. Please contact product advice for further information. Water pressure required: 0.5-10 Bar. Flow rate: 10 litres per minute. Inlet valve connected directly to ¾" screwed joint.

⁶ Adjustable upper basket is 2-stage Rackmatic™ when Flex 3rd Basket is installed.

⁷ Largest loadable dish height in upper basket will be smaller when Flex 3rd Basket is installed.

45cm Slimline Dishwasher

VARIO HINGE

S875HKX21G | N50

- Flex 1 baskets
- Vario Hinge – 81.5cm height
- Rack Matic 3-stage
- Info Light



| | |
|--|---|
| Control panel colour | Stainless steel |
| Height (cm) / Hinge type | 81.5 / Vario Hinge |
| DESIGN FEATURES | |
| Drying system | Heat exchanger |
| Home Connect Wi-Fi connectivity | • |
| Control panel type | Push buttons + LED |
| Basket description | Flex 2 |
| Flex Cutlery Drawer (3rd loading level) | |
| Status indicator | Info Light (Red) |
| Door open assist | |
| Glass care technology | • |
| Anti-slip protection / stemware support upper basket | • / - |
| Adjustable upper basket ⁶ | Rack Matic 3-stage |
| Number of flip tines in upper / lower basket | 2 / 2 |
| Cup shelves upper / lower baskets | 2 / 1 |
| Cutlery holder lower basket | • |
| Largest loadable dish upper ⁷ / lower basket (cm) | 27 / 30 |
| Aqua sensor | • |
| Real-time clock | |
| Start delay time max hours | 24 |
| Emotion light (interior lighting) | |
| End of cycle indicator | Acoustic |
| Salt / Rinse aid light indicator | • / • |
| Self cleaning filter system | • |
| Flood protection system | Aqua Stop |
| Safety features | Door lock |
| PROGRAMMES / FUNCTIONS | |
| List of programmes | Eco 50 °C, Auto 45-65 °C, Chef 70 °C, Classic 60 °C, Glass 40 °C, Favourite, Easy Clean |
| Additional special options | Remote Start, Extra Dry, Power Zone, Extra Speed |
| TECHNICAL SPECIFICATIONS | |
| Reference programme for measurements | Eco 50 °C |
| Energy efficiency class ¹ | E |
| Energy ² / water ³ : kWh / litres | 76 / 8.9 |
| Load capacity (place settings) | 10 |
| Programme duration ⁴ : h:min | 3:40 |
| Noise level: dB (A) re 1 pW | 44 |
| Noise efficiency class | B |
| Noise level (silence programme): dB (A) re 1 pW | |
| Length of electrical supply cord (cm) | 175 |
| Length inlet / outlet hose (cm) | 165 / 205 |
| Maximum height for installation (mm) | 875 |
| Maximum height adjustability feet (mm) | 60 |
| Maximum width for installation (mm) | 450 |
| Height of the product (mm) | 815 |
| Width / Depth of the product (mm) | 448 / 550 |
| Net weight / Gross weight (kg) | 28 / 30 |
| Water softener ⁵ | • |
| Maximum accepted water hardness (°DH) | 50 |
| Maximum temperature for water intake (°C) | 60 |
| Interior cavity | Stainless steel |
| Included accessories | Steam protection strip |



• = Yes, model has this feature

¹ On an energy-efficiency class scale from A to G.
² Energy consumption in kWh/100 operating cycles (using Eco programme).
³ Water consumption in litres/operating cycle (using Eco programme).
⁴ Duration of Eco programme.
⁵ We would recommend our dishwashers are connected to the mains water supply where possible. However, they may also be connected to an external water softener as long as the water softener produces softened water of less than 1.1 mmol/litre (7.0°e) and the water softener in the appliance is turned off. Please contact product advice for further information. Water pressure required: 0.5-10 Bar. Flow rate: 10 litres per minute. Inlet valve connected directly to 3/8" screwed joint.
⁶ Adjustable upper basket is 2-stage Rackmatic™ when Flex 3rd Basket is installed.
⁷ Largest loadable dish height in upper basket will be smaller when Flex 3rd Basket is installed.

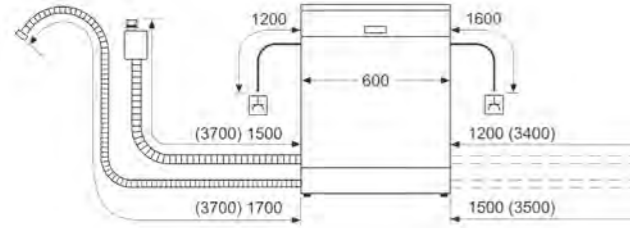
All of our dishwashers have Aqua Stop water protection, detergent aware, Dosage Assist and a door lock as standard. All NEFF dishwashers are suitable for use with doors from 2.5kg-8.5kg apart from SlimLine S875HKX20G (2.5kg to 7.5kg) and Vario Hinge models S195HCX26G and S295HCX26G (4.5kg to 11.0kg) if the correct door springs are installed.



60cm Fully Integrated Dishwashers

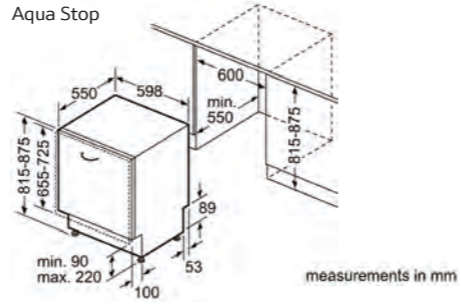
S145HTS01G, S187ZCX03G, S155ECX07G, S155HAX27G, S153HKX03G, S153HTX02G, S153ITX02G, S195HCX02G, S175HTX06G, S295HCX02G, S155HVX00G

measurements in mm

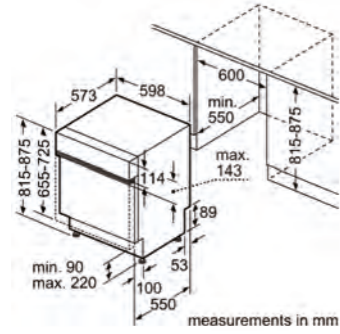


S187ZCX03G, S155ECX07G, S155HAX27G, S153HKX03G, S153HTX02G, S153ITX02G, S195HCX02G, S175HTX06G, S155HVX00G

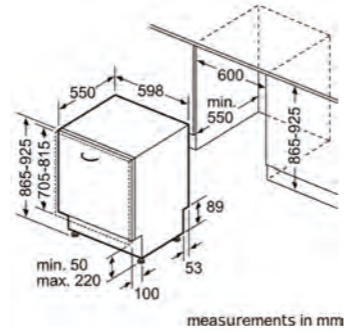
Aqua Stop



S145HTS01G

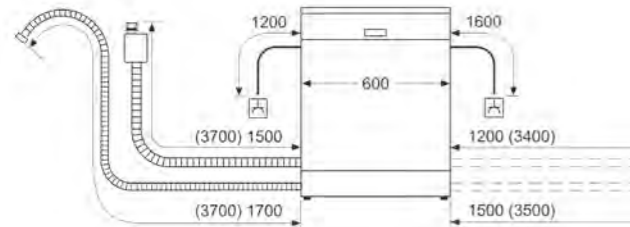


S295HCX02G



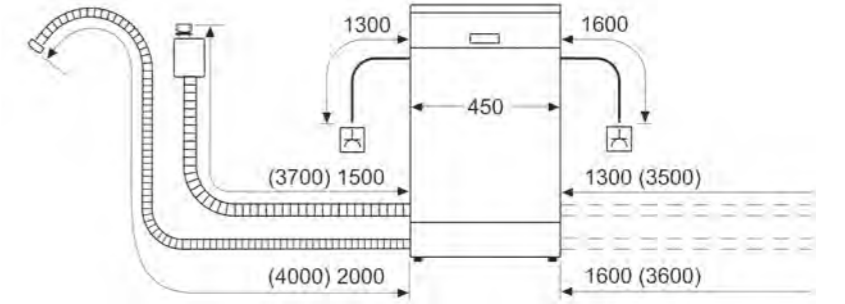
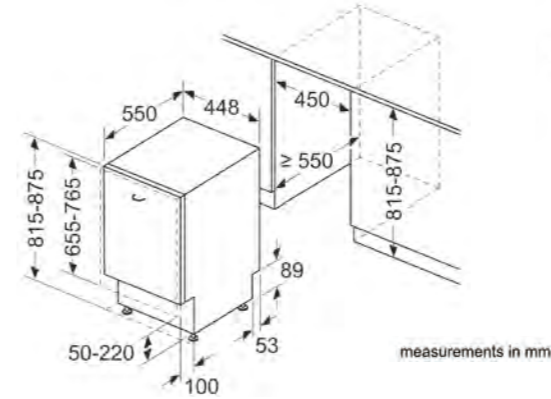
S197YCX05G

measurements in mm



45cm Slim Line Dishwasher

S875HKX21G



NEFF LAUNDRY RANGE

- Comprehensive range of laundry solutions.
- 3 types of laundry appliances
 - Integrated Washing Machines
 - Integrated Washer Dryers
 - Freestanding Washer Dryer – ideal for a utility room
- All feature our signature innovations.
- Features that suit an open plan kitchen installation with laundry as part of it include;
 - Time Light to see when the cycle has ended.
 - Anti Vibration Side panels to minimise noise.
- All features detailed in the following section.



5 Year Warranty

Peace of mind built-in – many of NEFF's laundry appliances are covered by our **5 year warranty** – clearly marked in the matrix tables. Further warranty information can be found on NEFF Customer Service pages 190-191.

Key Functions Guide

Key Features

INTELLIGENT WATER SYSTEM

Efficient washing is made simple with our built-in load sensor. With up to 256 load levels distinguished and a flow sensor for detecting the kind of textile, the amount of water used is tailored to your wash.

SENSOR DRYING

Continuously monitors the drying performance using sophisticated sensors to prevent overheating and over drying. The dryer stops automatically when the correct level of dryness is reached to deliver the finest fabric care and reduce ironing.

ANTI-VIBRATION SIDE PANELS

Our new side panels increase stability and reduce vibrations during even the fastest spin cycle. With a 3-step system which absorbs motor vibrations, centres unbalanced laundry and compensates for vibrations on the side walls, you benefit from low noise washing with every load.

TIME LIGHT

The time remaining of the wash cycle is clearly projected on to any floor surface. So you don't have to open the door to see when your washing will be finished. Perfect for open plan kitchens. Featured on model W544BX2GB.

EASY INSTALLATION - CARDAN DRIVE

With our Cardan Drive system, installing your built-in washing machine is super easy. Our machines can easily be adapted to the height of your worktop. The Cardan system allows the rear feet to be adjusted from the front of the washer, for any niche up to 60mm. Slide the machine into your kitchen unit, then simply adjust the feet easily from the front with a screwdriver.

Additional Features

TIME DELAY

Allows you to programme the machine up to 24 hours in advance to suit any schedule or to take advantage of off-peak electricity rates.

DRUM LIGHT

The drum interior LED light is a big help when unloading your fully-integrated NEFF built-in washing machine. It lights up the inside brightly enough so you'll never overlook another item of laundry.

AQUA STOP / AQUA SECURE

Protects inlet hoses from leakage. A safety valve prevents any more water from entering the washing machine.

RELOAD FUNCTION

If you need to add or remove an item after the programme has started, you can pause the cycle by pressing the Start/Reload button. The machine will check whether you can open the door and, if so, it lets you. To resume operation, just press the Start/Reload button again.

Programmes

STAIN-REMOVAL PROGRAMME

Banish even the most stubborn stains with our stain-specific programmes. With dedicated settings for red wine spillages, tomato splashes and butter/oil residue, there's no need to worry about cooking-related stains.

DRUM CLEAN WITH REMINDER

Prevent odours and germs with our handy Drum Clean reminder. When the machine detects a consecutive number of low washing temperatures (<40°), you'll be prompted to start the Drum Clean programme.

Options

LESS IRONING

Reduces the creasing of clothes as the water is gently removed from the wash with a light interval spin at the end of the cycle.

FLEXI TIME

Cuts programme times by up to 30%. Simply select the cycle you wish to run and then select Flexi Time.

EXTRA RINSE OPTION

Available on almost every programme, it's especially helpful for sensitive skin.

Some features are relevant for freestanding models only. For full details please refer to the website.

Integrated Laundry


WASHING MACHINES

| W544BX2GB | W543BX2GB |
|--|--|
| <ul style="list-style-type: none"> • Time Light • Speed Perfect • Reload function • Targeted Stain Removal • Variable Temperature • Cardan Drive - Easy Installation  | <ul style="list-style-type: none"> • Speed Perfect • Reload function • Cardan Drive - Easy Installation  |

| KEY FEATURES | | |
|--|--------------------------------|-----------------------|
| Time Light | • | |
| Speed Perfect | • | |
| Reload function | • | • |
| Targeted stain removal | • | |
| Reduced noise wash | • | |
| ADDITIONAL FEATURES | | |
| Time delay | h | 24 |
| Control panel lock | • | • |
| Water protection system | Aqua Stop | Aqua Stop |
| PROGRAMMES / FUNCTIONS | | |
| Cottons | • | • |
| Eco 40-60 | • | • |
| Easy-care programme | • | • |
| Wool programme | • | • |
| Super Quick 15 / 30' | • | • |
| Mixed load | • | • |
| Shirts | • | • |
| Stain removal | Tomatoes, Red Wine, Butter/Oil | • |
| Delicates / Silk | • | • |
| Rinse | • | • |
| Spin / Drain | • | • |
| Drum Clean | • | • |
| OPTIONS | | |
| Pre-wash | • | • |
| Extra rinse | • | • |
| Variable temperature / Variable spin | •/• | /• |
| PERFORMANCE / TECHNICAL INFORMATION | | |
| Energy efficiency class ¹ | | |
| Load capacity | kg | 1-8 |
| Energy ² / Water ³ | kWh / litres | 62 / 45 |
| Programme duration ⁴ | h:mm | 3:16 |
| Maximum spin speed ⁵ | rpm | 1400 |
| Spin efficiency class | | B |
| Noise level | dB(A) re 1 pW | 66 |
| Noise emission class | | A |
| Dimensions of the product | mm | 818 x 596 x 544 (574) |
| Door opening angle | | 130° |
| Depth with open door 90° | mm | 956 |
| Height adjustability | mm | 120 |
| Length of electrical supply cord | cm | 210 |
| Length of supply hose / drain hose | cm | 220/220 |
| Door hinge (porthole) | | Left-hand |
| Easy installation Cardan Drive System | • | • |


Freestanding

WASHER DRYERS

| V6540X3GB | V6320X2GB |
|---|---|
| <ul style="list-style-type: none"> • Sensor Controlled Drying • Super Quick 15' • Reduced noise wash • Mixed Load • Variable Temperature  |  |

| KEY FEATURES | | |
|--|---------------|-----------------|
| Electronic control dial | • | • |
| Time selection options | • | • |
| Sensor controlled drying | • | |
| ADDITIONAL FEATURES | | |
| Time delay | h | 24 |
| Control panel lock | • | • |
| Water protection system | Aqua Stop | Aqua Secure |
| STANDARD PROGRAMMES | | |
| Cottons | • | • |
| Eco 40-60 | • | • |
| Easy-care programme | • | • |
| Wool programme | • | • |
| Delicates / Silk | • | • |
| Intensive dry | • | • |
| Gentle dry | • | • |
| ADDITIONAL PROGRAMMES | | |
| Super Quick 15' | • | |
| Reduced noise wash | • | |
| Sportswear | • | |
| Mixed load | • | |
| Fluff removal programme | • | • |
| OPTIONS | | |
| Flexi Time | • | • |
| Intensive | • | • |
| Pre-wash | • | • |
| Extra rinse | • | • |
| Less ironing | • | • |
| Variable temperature | • | • |
| Variable spin speed | • | • |
| PERFORMANCE / TECHNICAL INFORMATION | | |
| Energy efficiency class washing and drying ¹ | | |
| Energy efficiency class washing ² | | |
| Energy ³ / Water ⁴ washing and drying | kWh / litres | 266 / 68 |
| Energy ⁵ / Water ⁶ washing | kWh / litres | 77 / 44 |
| Load capacity washing and drying / washing | kg | 1-4 / 1-7 |
| Programme duration ⁷ washing and drying / washing | h:mm | 5:30 / 2:50 |
| Spin efficiency class | | B |
| Spin speed ⁸ | rpm | 1355 |
| Noise level | dB(A) re 1 pW | 72 |
| Noise emission class | | A |
| Dimensions of the product | mm | 820 x 595 x 584 |
| Door opening angle | | 95° |
| Depth with open door 90° | mm | 960 |
| Height adjustability | mm | 15 |
| Length of electrical supply cord | cm | 220 |
| Length of supply hose / drain hose | cm | 200 / 200 |
| Door hinge (porthole) | | Left-hand |

WASHER DRYER

| VNA341U8GB |
|--|
| <ul style="list-style-type: none"> • Auto Dry • Sensor drying • Rapid 15' / Wash & Dry 60' • Speed Perfect  |

| KEY FEATURES | | |
|--|---------------|-----------------------|
| Auto Dry - Sensor Drying | • | |
| Anti Vibration design | • | |
| Anti Crease cycle | • | |
| Reload facility | • | |
| ADDITIONAL FEATURES | | |
| Time delay | h | 24 |
| Control panel lock | • | • |
| Interior drum light | • | • |
| Water protection system | Aqua Secure | |
| PROGRAMMES / FUNCTIONS | | |
| Eco 40-60 | • | • |
| Cottons | • | • |
| Refresh | • | • |
| Easy-care programme | • | • |
| Mixed load | • | • |
| Delicates / Silk | • | • |
| Wool programme | • | • |
| Red wine | • | • |
| Rapid 15' / Wash & Dry 60' | • | • |
| Intensive Dry | • | • |
| Gentle Dry | • | • |
| My time Dry | • | • |
| Prewash | • | • |
| Easy Iron | • | • |
| Speed Perfect | • | • |
| Variable temperature / Variable spin | • | • |
| PERFORMANCE / TECHNICAL INFORMATION | | |
| Energy efficiency class washing and drying ¹ | | |
| Energy efficiency class washing ² | | |
| Energy ³ / Water ⁴ washing and drying | kWh / litres | 313 / 70 |
| Energy ⁵ / Water ⁶ washing | kWh / litres | 63 / 41 |
| Load capacity washing and drying / washing | kg | kg |
| Programme duration ⁷ washing and drying / washing | h:mm | 7:30 / 3:32 |
| Spin efficiency class | | B |
| Spin speed ⁸ | rpm | 1400 |
| Capacity cotton | kg | 8 |
| Ambient temperature range | °C | |
| Noise level | dB(A) re 1 pW | 70 |
| Noise efficiency class | | A |
| Dimensions of the product | mm | 848 x 598 x 590 (635) |
| Door opening angle | | 165° |
| Depth with door open 90° | mm | 1073 |
| Door hinge (porthole) | | Left-hand |

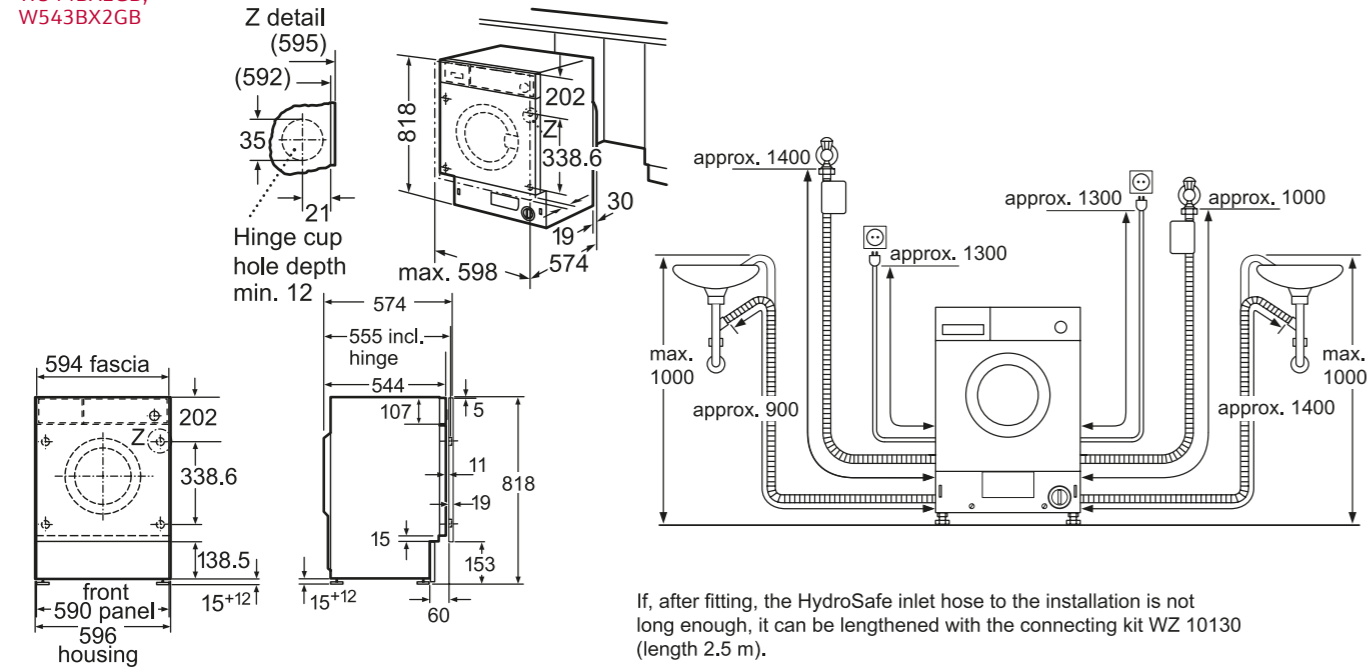
Not all options and programmes are shown, this is a guide, please refer to the website for more details. ¹On an energy-efficiency class scale from A to G. ²Energy consumption in kWh/100 operating cycles (using Eco 40-60 programme). ³Water consumption in litres/operating cycle (using Eco 40-60 programme). ⁴Duration of Eco 40-60 programme. ⁵The specified value is rounded.

Not all options and programmes are shown, this is a guide, please refer to the website for more details. ^{1,2}On an energy-efficiency class scale from A to G. ³Energy consumption in kWh/100 complete operating cycles (using Eco 40-60 programme). ⁴Water consumption in litres/complete operating cycle (using Eco 40-60 programme). ⁵Energy consumption in kWh/100 wash cycles (using Eco 40-60 programme). ⁶Water consumption in litres/wash cycle (using Eco 40-60 programme). ⁷Duration of Eco 40-60 programme, complete operating cycle/wash cycle. ⁸The specified value is rounded.

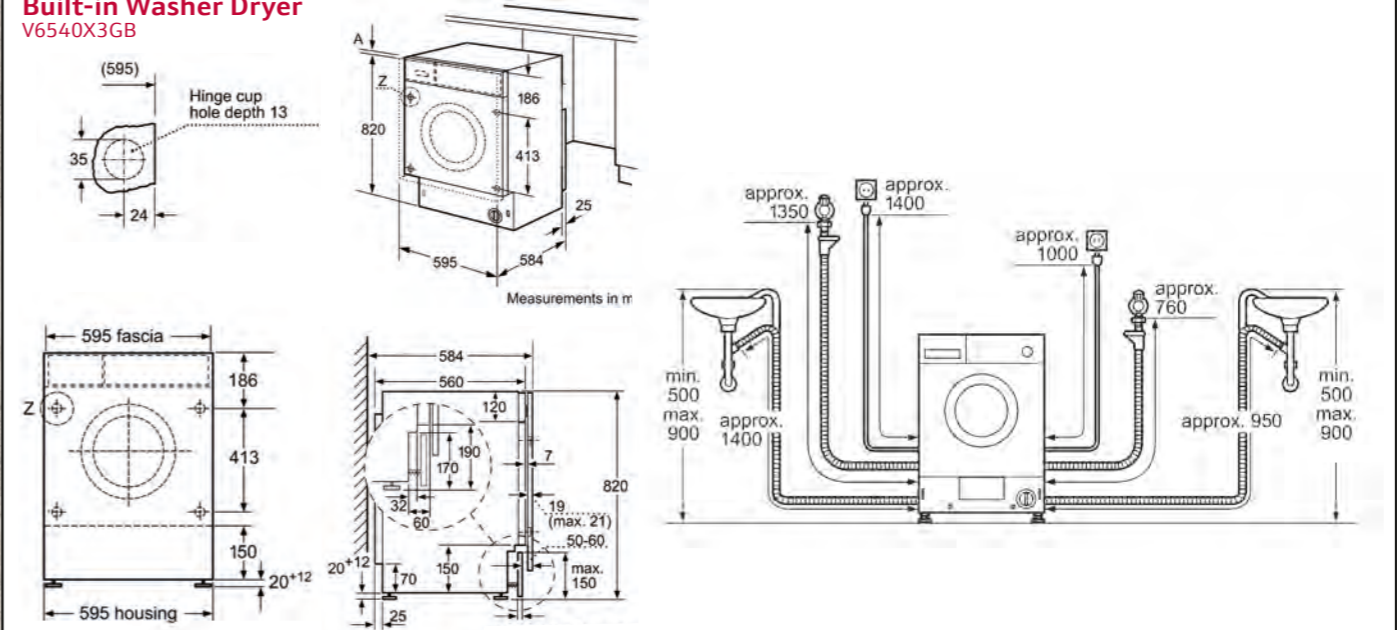
^{1,2}On an energy-efficiency class scale from A to G. ³Energy consumption in kWh/100 complete operating cycles (using Eco 40-60 programme). ⁴Water consumption in litres/complete operating cycle (using Eco 40-60 programme). ⁵Energy consumption in kWh/100 wash cycles (using Eco 40-60 programme). ⁶Water consumption in litres/wash cycle (using Eco 40-60 programme). ⁷Duration of Eco 40-60 programme, complete operating cycle/wash cycle. ⁸The specified value is rounded.

Fully Integrated Laundry

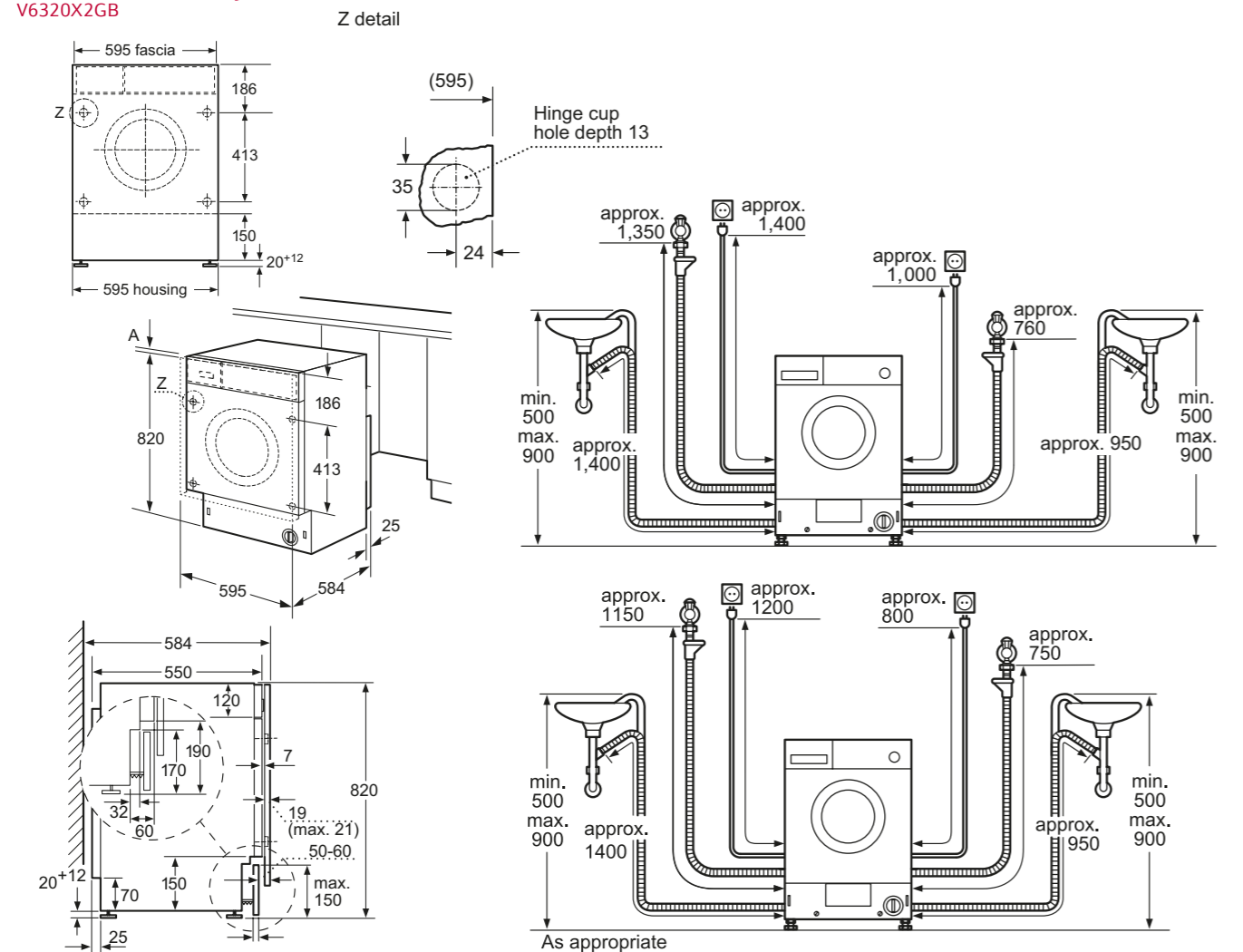
Built-in Washing Machines W544BX2GB, W543BX2GB



Built-in Washer Dryer V6540X3GB

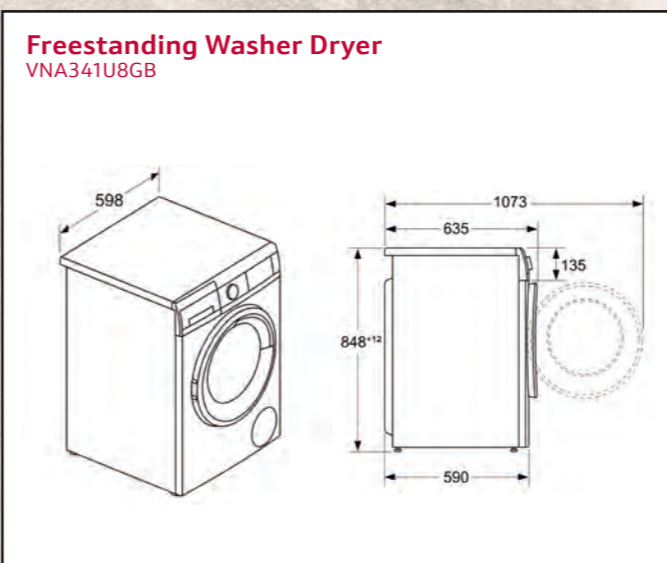


Built-in Washer Dryer V6320X2GB



Freestanding Laundry

Freestanding Washer Dryer VNA341U8GB



Committed to EXCELLENCE

Our commitment to excellence extends beyond our products. We provide outstanding customer service and support, ensuring that you feel supported every step of the way.

NEFF Customer Service

Here at NEFF, we understand that although our kitchens and appliances are designed to cope with even the most exacting cookaholics, sometimes you need to turn to us for help. Whether you need a visit from one of our engineers, some spare parts for your NEFF appliance or just some helpful advice, we're here to talk – around the clock*.

GIVE US A CALL ON
0344 892 8979
(01) 450 2655

VISIT OUR WEBSITE AT
 [NEFF-HOME.COM/UK](https://neff-home.com/uk)
 [NEFF-HOME.COM/IE](https://neff-home.com/ie)

*We're available 7 days a week. For our opening hours please check our website. Calls are charged at the basic rate, please check with your telephone service provider for exact charges. In some areas we may use an approved service partner and the process may vary for repairs carried out by our service partners.

NEFF is a division of BSH Home Appliances Limited, a company registered in England and Wales under company registration number 01844007, with registered office at: Grand Union House, Old Wolverton Road, Wolverton, Milton Keynes, Buckinghamshire, MK12 5PT.

NEFF WARRANTIES

From time to time, NEFF may present additional warranties on either products or defined components of a product which are time limited offers. To check if your product qualifies, or to see the full list of warranty options, please visit our website at: neff-home.com/uk/service/warranty



2 Years Warranty

All NEFF home appliances come complete with a 2 years warranty as standard to protect against any manufacturing or material faults during this period.



5 Years Warranty

For a limited time only, selected NEFF home appliances come with a free 5 years warranty. Offer applies to selected NEFF models purchased between 01.04.25 - 31.03.26 and registered within 3 months of purchase.



Lifetime Aqua Stop Warranty

This lifetime warranty protects against water damage caused by a defective Aqua Stop system. Valid on all NEFF washing machines and NEFF dishwashers with an Aqua Stop system.



10 Years Anti-Rust Warranty

This 10 years warranty protects against rust in the inner cavity of NEFF dishwashers. Valid on all NEFF dishwashers purchased from 01.01.2012 onwards.



10 Years Compressor Drive® Motor Warranty

This 10 years warranty covers the Compressor Drive® motor only on selected NEFF refrigeration appliances.



10 Years Silent Drive Warranty



This 10 years warranty protects the motor on your washing machine, ensuring it runs as efficiently as possible.

Register my appliance

REGISTER AND WARRANTY REGISTER YOUR 2 AND 5 YEAR WARRANTY

- Quick access to customer service and support.
- Convenient access to your warranty certificate.
- Enjoy exclusive online offers when you opt in.
- Stay on top of safety updates for your appliance.

REGISTER YOUR 2 YEAR WARRANTY BY TELEPHONE*

 **0800 519 2116**
 **(01) 230 0344**

*Calls are handled by our registration partner Domestic & General.

REGISTER YOUR 5 YEAR WARRANTY WITH US:

UK



IRELAND



ACCESSORIES AND CLEANING PRODUCTS

You can find everything you need for any appliance on the NEFF online store. It's here where you'll find our tested and approved cleaning and care products, along with other accessories ranging from a Glass Holder for your new dishwasher to a Teppan Yaki for your hob, or a new set of Telescopic Rails.

For UK visit:
neff-home.com/uk/store
For IE: Telephone shop available, please call*: (01) 450 2655

SUPPORT AND PRODUCT ADVICE

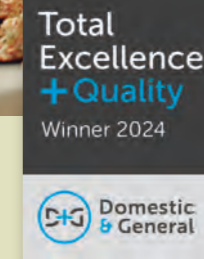
Prefer to go online? You can visit our support content at: neff-home.com/uk/service/support to quickly find the help you need. We cover questions about usage and maintenance of your appliance, as well as tips on getting started and installing your new appliances. You'll also be able to access your user manual at any time.

GENUINE NEFF SPARE PARTS

NEFF keeps a comprehensive range of replacement spare parts for up to 15* years. You can browse our exploded view diagrams on our store or speak to an advisor on the phone to help you locate and buy the spare parts you need.

For UK visit: neff-home.com/uk/service/spare-parts
For IE visit: neff-home.com/ie/service/care-protection-parts

*As functionally relevant and storable for NEFF home appliances manufactured after 1st January 2023



NEFF REPAIR SERVICE

NEFF is recognised by Trust Pilot reviews as an excellent service care provider. NEFF home appliances are built to the highest standard, but if you do need a visit from a NEFF engineer, we are here to help. Our locally based engineers are employed and trained by NEFF, which gives them unrivaled knowledge and expertise to repair NEFF appliances.

In some areas we may use an approved service partner to carry out repairs on our NEFF appliances, where the repair process may vary.

You can easily book and manage your engineer visit online.
For UK visit: neff-home.com/uk/service/repair-service
For IE visit: neff-home.com/ie/service/repair-service



NEFF Customer Service
Grand Union House
Old Wolverton Road
Milton Keynes
Buckinghamshire
MK12 5ZR

BSH Home Appliances Ltd.
M50 business Park
Ballymount
Dublin 12
T 1890 626 041
www.neff-home.com/ie

NEFF, a division of
BSH Home Appliances Ltd.
Grand Union House
Old Wolverton Road
Wolverton
Milton Keynes
MK12 5PT
www.neff-home.com/uk

