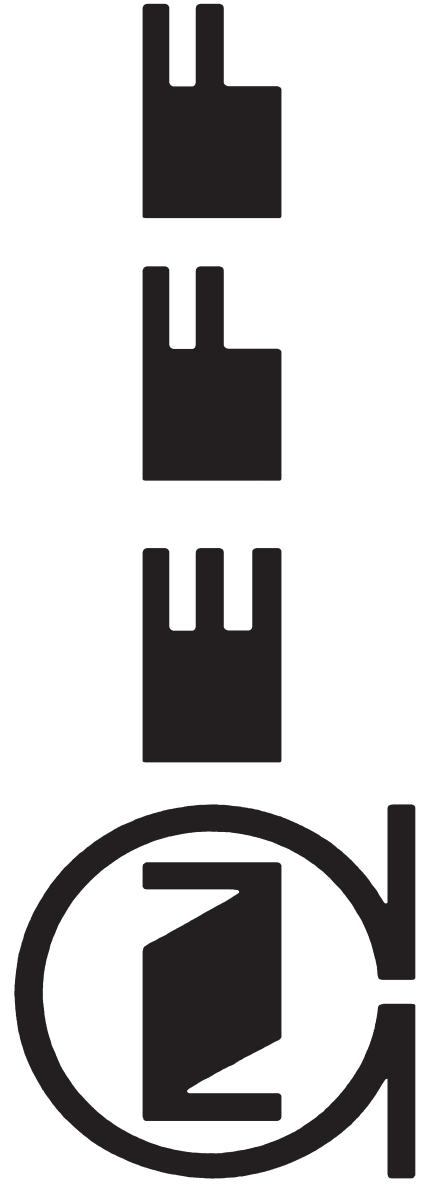




**K59..L**



---

## en Table of Contents

Congratulations .....	3
Safety and warning information .....	3
Information concerning disposal .....	4
Installation instructions .....	4
Installing and connecting the appliance .....	5
Appliances and installation dimensions .....	6
Door opening angle .....	6
Removing appliance doors and handles .....	7
Getting to know your appliance .....	8
Control and display panel .....	9
Switching on the appliance .....	10
Selecting the temperature .....	10
Warning signal .....	10
Super cooling .....	10
Super freezing .....	11
Selecting the temperature unit .....	11
Refrigerator compartment .....	11
Vegetable compartment with humidity filter .....	11
Usable capacity .....	11
Variable interior design .....	12
Freezer compartment .....	12
Features of the freezer compartment .....	12
Freezing food .....	12
Purchasing and storing deep-frozen food .....	13
Thawing frozen food .....	13
Ice and water dispenser .....	13
Switching the ice and water dispenser off .....	14
Water filter .....	14
Specification and performance data sheet .....	15
Tips for saving energy .....	16
Operating noises .....	16
Defrosting .....	16
Switching off and disconnecting the appliance .....	16
Cleaning .....	16
Light .....	17
Eliminating minor faults yourself .....	18
Appliance self-test .....	19
Customer service .....	19

## Congratulations

With the purchase of your new fridge-freezer you have opted for a modern, high-quality domestic appliance.

Your fridge-freezer is distinguished by its economical energy consumption.

Each appliance which leaves our factory is inspected thoroughly to ensure that it functions properly and is in perfect condition.

If you have any questions – particularly concerning installation and connection of the appliance – please do not hesitate to contact our customer service.

Further information and a selection of our products can be found on our home page.

## Safety and warning information

### Before you switch ON the appliance

Please read the operating and installation instructions carefully. They contain important information on how to install, use and maintain the appliance. Keep all documentation for subsequent use or for the next owner.

### Technical safety

#### Warning

- This appliance contains a small quantity of environmentally-friendly but flammable R600a refrigerant. Ensure that the tubing of the refrigerant circuit is not damaged during transportation and installation. Leaking refrigerant may cause eye injuries or ignite.

#### If damage has occurred

- Keep naked flames and/or ignition sources away from the appliance.
- Switch off the appliance and pull out the mains plug.
- Thoroughly ventilate the room for several minutes.
- Notify customer service.

The more refrigerant an appliance contains, the larger the room must be. Leaking refrigerant can form a flammable gas-air mixture in rooms which are too small.

The room must be at least 1 m<sup>3</sup> per 8 g of refrigerant. The amount of refrigerant in your appliance is indicated on the rating plate inside the appliance.

- Only customer service may change the power cord and carry out any other repairs. Improper installations and repairs may put the user at considerable risk.
- Only original parts supplied by the manufacturer may be used. The manufacturer guarantees that only these parts satisfy the safety requirements.

## Important information when using the appliance

- Never use electrical appliances inside the appliance (e. g. heaters, electric ice makers, etc.). **Risk of explosion!**
- Never use a steam cleaner to defrost or clean the appliance! Steam may come into contact with electrical components and cause a short-circuit or an electric shock.
- Do not store products which contain flammable propellants (e. g. spray cans) or explosive substances in the appliance. **Risk of explosion!**
- Do not stand or support yourself on the base, drawers or doors, etc.
- To clean the appliance, pull out the mains plug or switch off the fuse! Do not pull out the mains plug by tugging the cable.
- Bottles which contain a high percentage of alcohol must be sealed and stored in an upright position.
- Keep plastic parts and the door seal free of oil and grease. Otherwise, parts and door seal will become porous.
- Never cover or block the ventilation openings for the appliance.
- People who have limited physical, sensory or mental abilities or inadequate knowledge must not use this appliance unless they are supervised or given meticulous instructions.
- Do not store bottled or canned drinks (especially carbonated drinks) in the freezer compartment. Bottles and cans may explode!
- Do not put an ice lolly or ice cube directly from the freezer compartment into your mouth. **Risk of burns** from very low temperatures!
- Never touch frozen food with wet hands. Your hands could freeze to the food. **Risk of injury!**

## Children in the household

- Do not allow children to play with the appliance!
- If the appliance features a lock, keep the key out of the reach of children.

## General regulations

The appliance is suitable

- for refrigerating food,
- for freezing food,
- for making ice,
- for dispensing drinking water.

The appliance is suppressed according to EU Directive 2004/108/EC.

The refrigeration circuit has been checked for leaks.

This product complies with the relevant safety regulations for electrical appliances (EN 60335/2/24).

## Information concerning disposal

### ♻️ Disposal of packaging


The packaging protects your appliance from damage during transit. All utilised materials are environmentally safe and recyclable. Please help us by disposing of the packaging in an environmentally friendly manner.

Please ask your dealer or inquire at your local authority about current means of disposal.

### ⚠️ Warning

Keep children away from packaging and its parts. Danger of suffocation from collapsible boxes and foil!

Old appliances are not worthless rubbish! Valuable raw materials can be reclaimed by recycling old appliances.

 This appliance has been identified in accordance with the European directive 2002/96/EG on Waste Electrical and Electronic Equipment – WEEE. The directive specifies the framework for an EU-wide valid return and recycling of old appliances.

### ⚠️ Warning

Redundant appliances

1. Pull out the mains plug.
2. Cut off the power cord and discard with the mains plug.

Refrigerators contain refrigerants and the insulation contains gases. Refrigerant and gases must be disposed of professionally. Ensure that tubing of the refrigerant circuit is not damaged prior to proper disposal.

## Installation instructions

### Transporting

The appliances are heavy and must be secured during transportation and installation.

Because of the weight/dimensions of the appliance and to minimise the risk of injuries and damage to the appliance at least two persons are necessary to set-up the appliance securely.

### Installation location

Install the appliance in a dry, well ventilated room. The installation location should neither be exposed to direct sunlight nor near a heat source, e. g. a cooker, radiator, etc.

If installation next to a heat source is unavoidable, use a suitable insulating plate or observe the following minimum distances to a heat source:

- 3 cm to electric or gas cookers.
- 30 cm to an oil or solid-fuel cooker.

If installing the appliance next to another refrigerator or freezer, there must be a minimum gap of 25 mm between the appliances in order to prevent condensation.

If a panel or cupboard is installed above the appliance, ensure that a gap of 30 mm is left so that the appliance can be pulled out of the recess if required.

The air heated on the rear side of the appliance must be allowed to escape unhindered.

### Subsurface

#### Attention!

The appliance is very heavy. Refer to the following appliance weight table (empty weight):

Model with dispenser                      143 kg

The floor of the installation location must not give way; if required, reinforce floor.

To ensure that the doors can open all the way, observe lateral minimum distances when installing the appliance in a corner or recess (see chapter “Appliance and installation dimensions”).

If the depth of the adjacent kitchen equipment is more than 60 cm, observe lateral minimum distances in order to utilise the full door opening angle (see chapter “Door opening angle”).

## Observe ambient temperature and ventilation

### Ambient temperature

The climatic class can be found on the rating plate. It states the room temperature within which the appliance can be operated. The rating plate is located in the refrigerator compartment at the bottom right side.

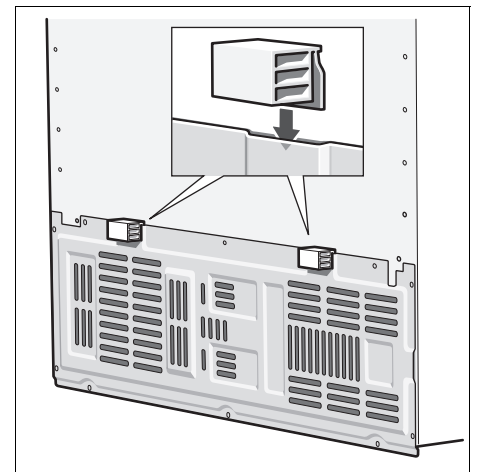
Climatic class	Permitted ambient temperature
SN	+10 °C to 32 °C
N	+16 °C to 32 °C
ST	+16 °C to 38 °C
T	+16 °C to 43 °C

### Ventilation

Never cover the ventilation openings on the rear of the appliance.

Otherwise the refrigerating unit must work harder, increasing the power consumption.

Place the enclosed spacers in the designated holders on the back of the appliance. This ensures that there is a minimum distance between the appliance and the wall.



## Installing and connecting the appliance

- Have a technician install and connect the appliance according to the enclosed installation instructions.
- After installing the appliance, wait at least 1 hour until the appliance starts up. During transportation the oil in the compressor may have flowed into the refrigeration system.
- Before switching on the appliance for the first time, clean the interior of the appliance (see chapter “Cleaning”).
- Always connect the water before the power.
- Apart from statutory national regulations, you should stick to the connection terms relating to the local electricity and water companies.
- Do not remove the transportation protection devices from the shelves and storage compartments until the appliance has been installed.

## Water connection

The water may be connected only by a competent fitter according to the local regulations of the appropriate water supply company.

Connect the appliance to a drinking water line:

- Minimum pressure: 0.2 MPa (2 bar)
- Maximum pressure: up to 0.8 MPa (8 bar)

Taste and odour of the water may be improved by installing the enclosed water filter. In this case observe the different connection conditions (see chapter “Water filter”).

### Note

The maximum outside diameter of the water mains (without connecting pieces) is 10 mm.

## Electrical connection

Do not use extension cables or distributors. This appliance must be connected to a permanently installed socket.

The plug to secure the appliance must be freely accessible. Connect the appliance to a 220–240 V/50 Hz ac current via a plug which has been properly installed. The socket must be fused with a 10 to 16 A fuse or higher.

If the appliance is to be operated in a non-European country, check on the rating plate whether the indicated voltage and current type correspond to the values of your mains supply. The rating plate is situated in the bottom right-hand side of the appliance. The mains connection cable may be replaced by an electrician only.

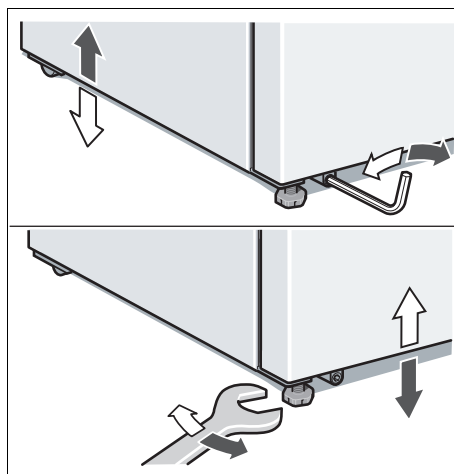
### ⚠ Warning!

Never connect the appliance to electronic energy saver plugs (e. g. Ecoboy: Sava Plug) or to power inverters which convert the direct current to 230 V alternating current (e. g. solar equipment, power supplies on ships).

## Aligning the appliance

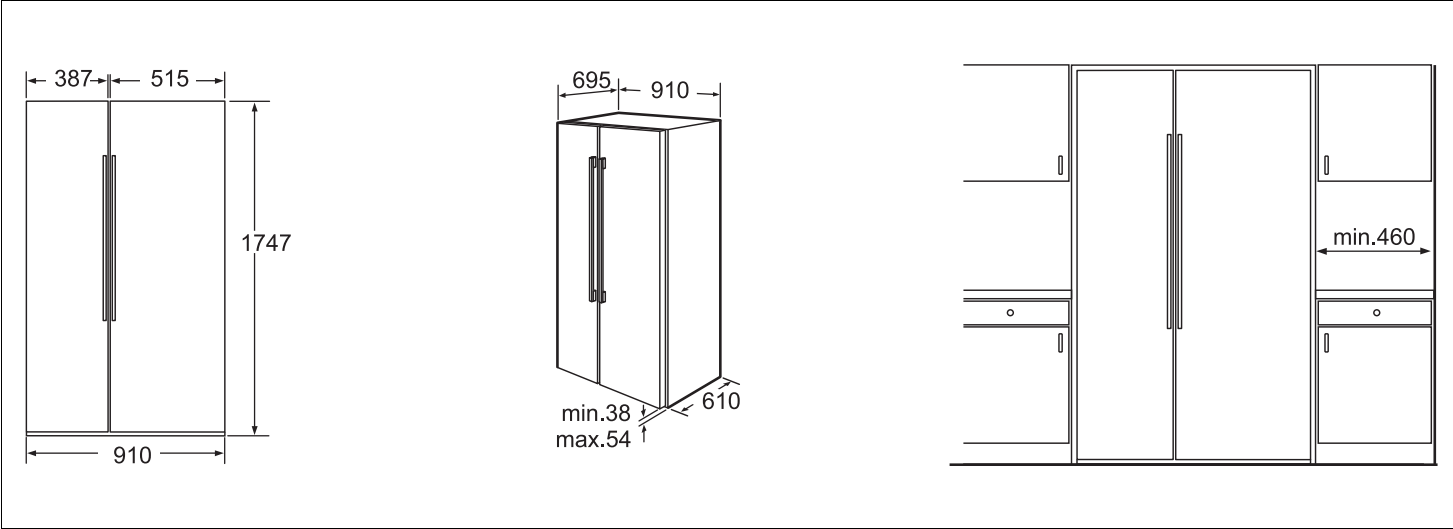
To ensure that the appliance functions correctly, it must be set level with a spirit level.

If the appliance is not level, water may flow out of the ice maker, ice cubes may be irregular or the doors may not close properly.

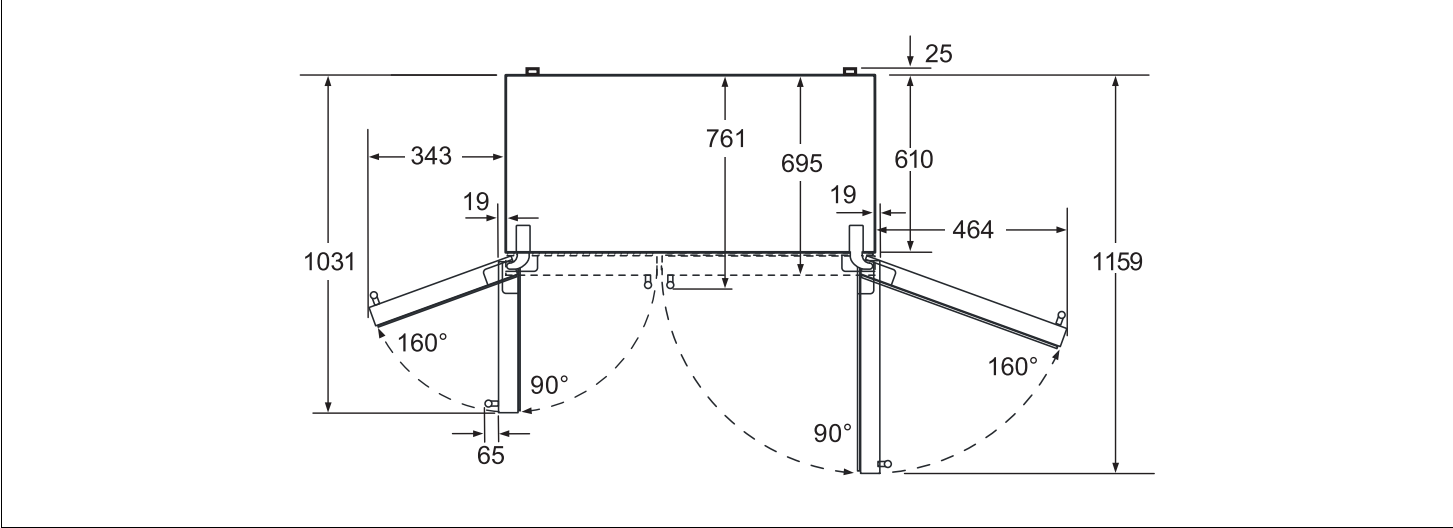


- Place the appliance in the designated location.
- Align front feet with a hexagon wrench.
- Align front feet with an Allen key.

# Appliances and installation dimensions



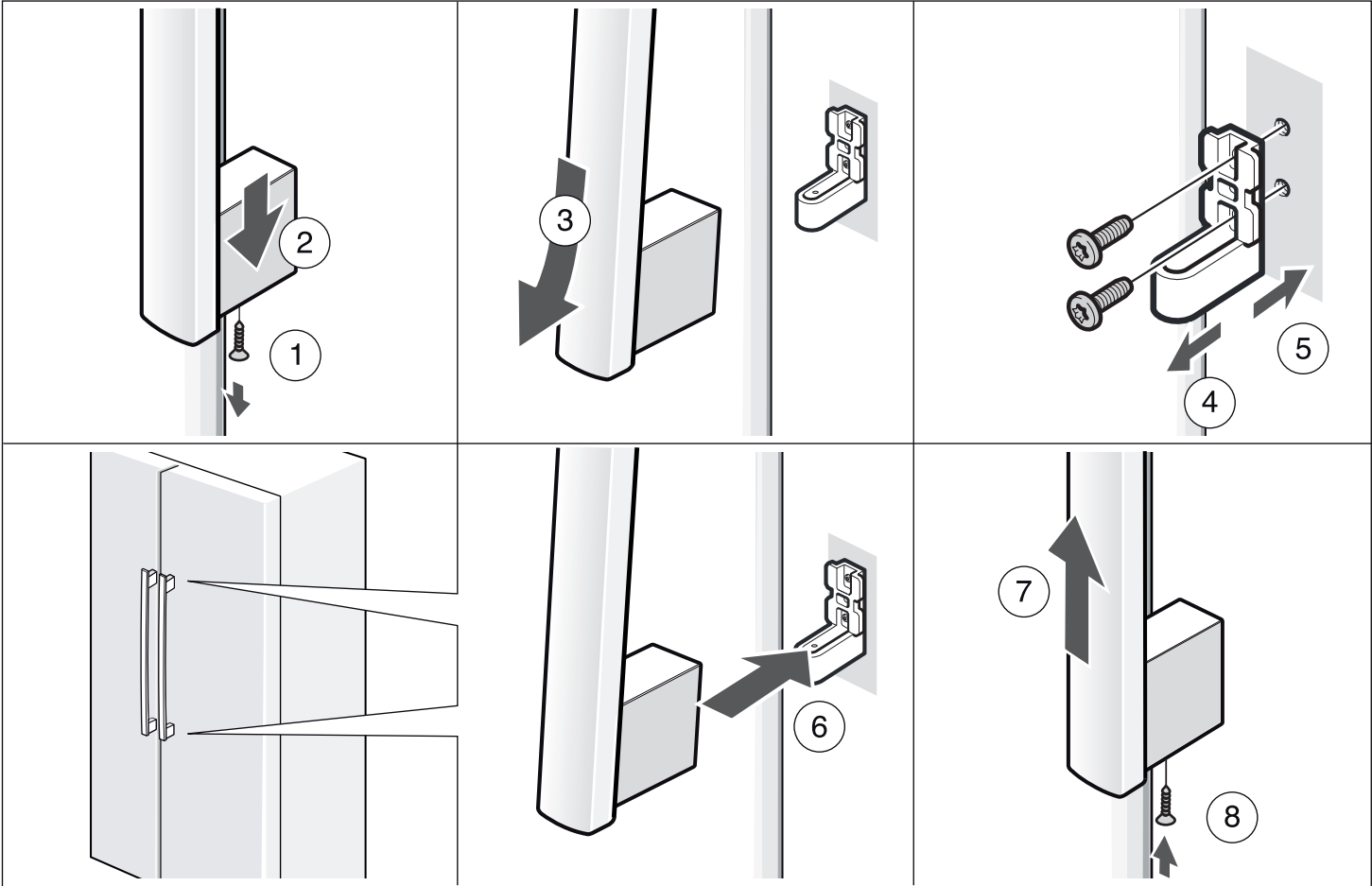
# Door opening angle



# Removing appliance doors and handles

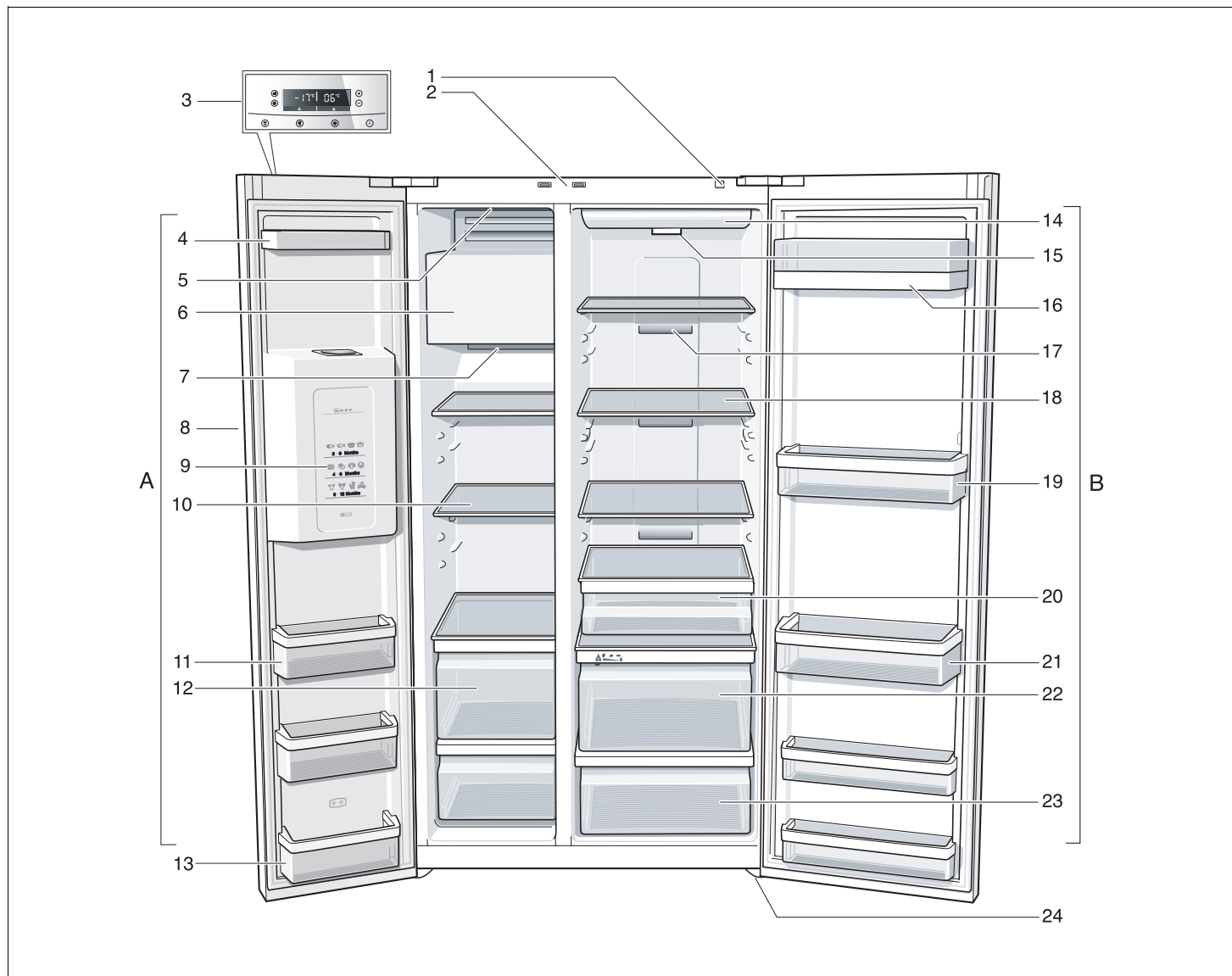
If the appliance will not fit through the house door, the appliance doors and handles can be unscrewed.

**Attention!**  
If the appliance doors have to be unscrewed, only customer service may do this.



## Getting to know your appliance

These operating instructions refer to several models. The diagrams may differ.



**A** Freezer compartment can be selected from  $-14^{\circ}\text{C}$  to  $-24^{\circ}\text{C}$

**B** Refrigerator compartment can be selected from  $+2^{\circ}\text{C}$  to  $+8^{\circ}\text{C}$

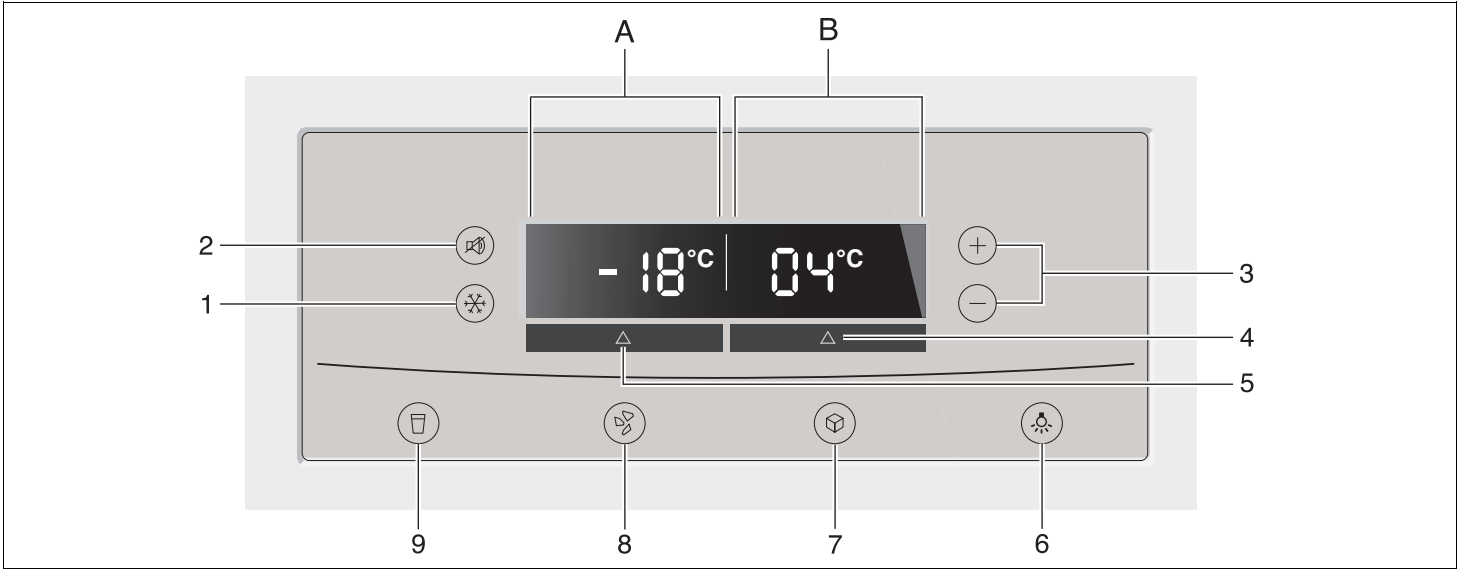
- |   |  |
|---|--|
| <b>1</b> On/Off button  | <b>14</b> Light, refrigerator compartment            |
| <b>2</b> Light switch for refrigerator and freezer compartments                                       | <b>15</b> Particle filter/Water filter               |
| <b>3</b> Control and display panel  | <b>16</b> Butter and cheese compartment              |
| <b>4</b> Door storage compartment   | <b>17</b> Air outlet openings                        |
| <b>5</b> On/Off switch ice maker  | <b>18</b> Glass shelves in refrigerator compartment  |
| <b>6</b> Ice maker/Ice cube container   | <b>19</b> Door storage compartment                   |
| <b>7</b> Air outlet openings  | <b>20</b> Delicatessen drawer                        |
| <b>8</b> Ice and water dispenser  | <b>21</b> Door storage compartment for large bottles |
| <b>9</b> Frozen-food calendar   | <b>22</b> Vegetable compartment with humidity filter |
| <b>10</b> Glass shelves in freezer compartment  | <b>23</b> Vegetable container                        |
| <b>11</b> Door storage compartment  | <b>24</b> Height-adjustable feet                     |
| <b>12</b> Freezer drawer  |  |
| <b>13</b> Door storage compartment (2-star compartment) for short-term storage of food and ice cream. |  |



# Control and display panel

The fascia and display panel on the door consists of a touch pad.

Touch the keypad to actuate the corresponding function.



### 1 “super” button

To switch on the Super freeze or Super cool functions.

See “Super freeze” and “Super cool” section.

### 2 “alarm off/lock” button

The button is used to

- a) switch off the warning signal. See “Warning signal” section.
- b) switch the button lock on and off.

When the “lock” function is activated, no settings are possible via the control panel. Exception: If there is a warning message, the “alarm off/lock” button can be pressed.

To switch on and off, press button for 5 seconds. When the function is switched on, “lock” is lit on the display panel.

### 3 “+/-” button

The selected temperature is set with the “+” and “-” buttons.

### 4 “fridge” button

To implement settings for the refrigerator compartment area, press button until “fridge” is lit in the display panel.

### 5 “freezer” button

To implement settings for the freezer compartment, press button until “freezer” is lit on the display panel.

### 6 On/Off “light” button for ice and water dispenser

### 7 Dispenser button for ice cubes

### 8 Dispenser button for crushed ice

### 9 Water dispenser button

**A** Display panel, freezer compartment

**B** Display panel, refrigerator compartment

## Switching on the appliance

Switch on the appliance with the On/Off button.

Press the “alarm off/lock” button. The warning signal switches off.

The “alarm” display goes out as soon as the set temperature has been reached.

The preset temperatures are reached after several hours. Do not put any food in the appliance beforehand.

The factory has recommended the following temperatures:

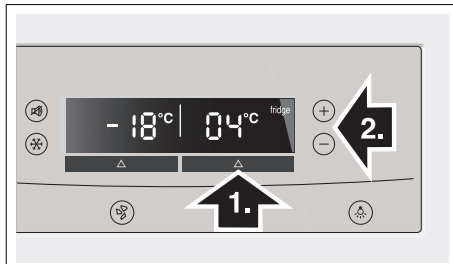
Refrigerator compartment: +4 °C

Freezer compartment: -18 °C

## Selecting the temperature

### Refrigerator compartment

1. Select the refrigerator compartment area with the “fridge” button until “fridge” is lit on the display panel.
2. Set the temperature with the + (warmer) or – (cooler) selection buttons.



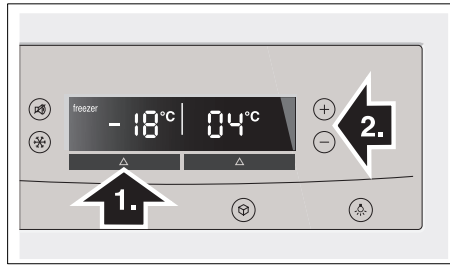
The temperature can be set at 1 °C intervals.

The refrigerator compartment can be set from +2 °C to +8 °C.

Perishable food should not be stored warmer than +4 °C.

### Freezer compartment

1. Press “freezer” button until “freezer” is lit on the display panel.
2. Set the temperature with the + (warmer) or – (cooler) selection buttons.



The freezer compartment can be set from -14 °C to -24 °C.

The value last indicated is saved by the system.

## Warning signal

In the following cases a warning signal may sound.

### The door warning signal

The door warning signal sounds if one of the appliance doors is open for longer than one minute. Close the door to switch off the warning signal.

Press the “alarm off/lock” button to switch off the warning signal.

### Temperature warning signal

The temperature warning signal switches on if the freezer or refrigerator compartment is too warm and the food is at risk of thawing.

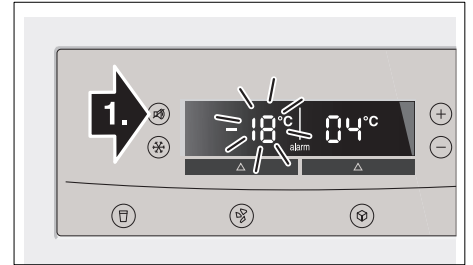
The acoustic and optical signals may be actuated without risk to the frozen food when:

- The appliance is switched on.
- Large quantities of fresh food are placed in the freezer.

### Freezer compartment

The set temperature of the freezer compartment flashes and “alarm” is displayed.

Press the “alarm off/lock” button to switch off the warning signal.



The temperature display indicates for 10 seconds the warmest temperature which was reached in the freezer compartment. Then the set temperature is displayed again.

The “alarm” display goes out as soon as the set temperature has been reached.

### Attention!

Do not refreeze food which has started to thaw or already thawed. It can only be refrozen when it has been used to prepare a ready meal (boiled or fried). No longer store the frozen produce for the max. storage period.

### Refrigerator compartment

“alarm” is indicated on the refrigerator compartment display panel.

Press the “alarm off/lock” button to switch off the warning signal.

### Attention!

If the refrigerator compartment has become too warm, cook warmed refrigerated food before consumption. If in doubt, do not use raw food.

## Super cooling

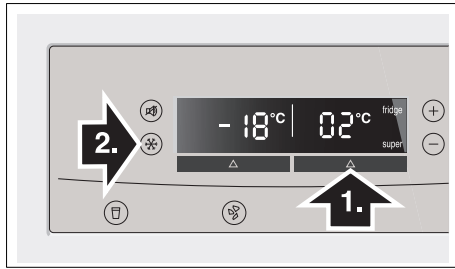
Super cooling cools the refrigerator compartment to the lowest temperature for approx. 6 hours. Then the temperature set before super mode is automatically restored.

Super cooling is recommended especially:

- Before placing large quantities of food in the refrigerator compartment.
- To cool drinks quickly.

### Switch on super cooling

1. Select the refrigerator compartment area with the “fridge” button until “fridge” is lit on the display.
2. Then press the “super” button. “super” is indicated on the display panel.



### Switching off super cooling

As when switching on super cooling, select the refrigerator compartment area, then press the “super” button. “super” goes out on the display panel.

## Super freezing

Food should be frozen solid as quickly as possible. Vitamins, nutritional values, appearance and taste are therefore retained.

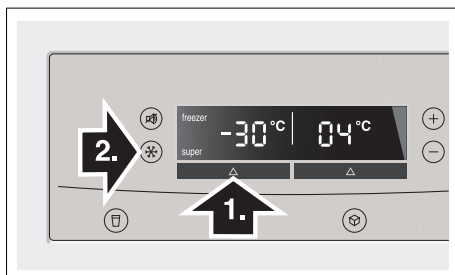
To prevent an undesirable temperature rise when placing fresh food in the freezer compartment, switch on fast freeze several hours beforehand.

As a rule, 4–6 hours is adequate. If max. freezing capacity is to be utilized, 24 hours are required.

Smaller quantities of food can be frozen without super freezing.

### Switching on super freezing

1. Select the freezer compartment area with the “freezer” button. “freezer” is lit on the display panel.
2. Then press the “super” button. “super” is lit on the display panel.



### Switching off super freezing

To switch off, press the “super” button again.

Super freezing automatically switches off after 2½ days at the latest.

## Selecting the temperature unit

The temperature can be displayed in degrees Celsius (°C) or degrees Fahrenheit (°F).

### Selecting the temperature unit

Hold down “freezer” and “fridge” buttons for 5 seconds.

Depending on the previous setting, the display switches to the other temperature unit.

## Refrigerator compartment

The refrigerator compartment temperature can be selected from +2 °C to +8 °C.

We recommend a setting of +4 °C.

Perishable food should not be stored warmer than 4 °C.

### Using the refrigerator compartment

For storage of cakes and pastries, ready meals, tinned food, condensed milk, hard cheese, fruit and vegetables sensitive to the cold: tropical fruit, e.g. mandarins, bananas, pineapples, melons, avocados, papayas, passion fruit, aubergines, also fruit which requires further ripening, tomatoes, cucumbers, green tomatoes, potatoes.

### When storing food, comply with the following:

- Allow warm food and drinks to cool down outside the appliance.
- To prevent food from losing its flavour or drying out, place in airtight containers.
- Do not block air outlet openings with food, otherwise the air circulation will be impaired.
- Avoid contact of oil and fat with the plastic parts and door seal.
- Store high-percentage alcohol tightly closed and standing up, do not store any explosive substances in the appliance.

**Risk of explosion!**

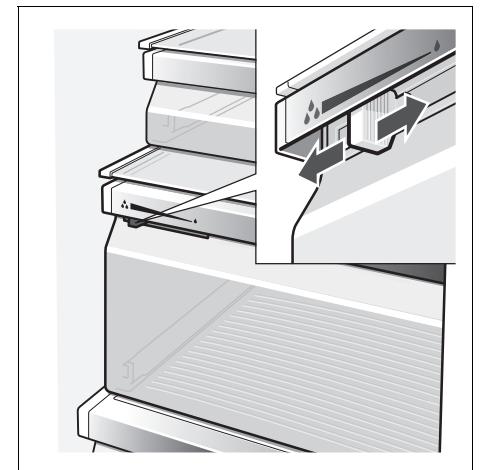
## Vegetable compartment with humidity filter

The humidity drawer is covered by a special filter which allows the air to pass through but retains the humidity.

A high air humidity keeps leafy vegetables fresh for longer. Vegetables and fruit should be stored at a slightly lower air humidity.

The air humidity in the vegetable drawers depends on the amount of stored food.

If the air humidity is too high, drips may form and cause decay.



### High air humidity

Regulator to left – ventilation opening is closed.

### Low air humidity

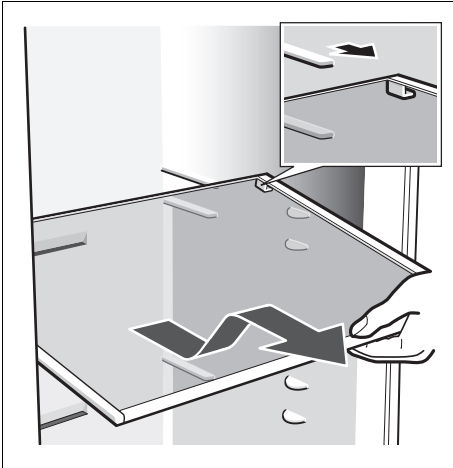
Regulator to right – ventilation opening is open.

## Usable capacity

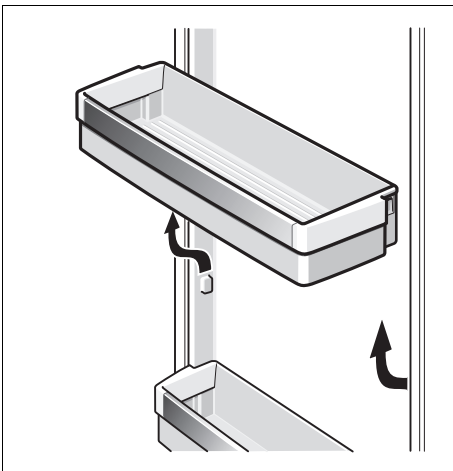
Information on the usable capacity can be found inside your appliance on the rating plate (see diagram at chapter “Customer service”).

## Variable interior design

### Shelves



Pull shelf forwards, lower and swing out to the side.



Lift the door storage compartment and take it out.

## Freezer compartment

The freezer compartment temperature can be set from  $-14^{\circ}\text{C}$  to  $-24^{\circ}\text{C}$ .

We recommend a setting of  $-18^{\circ}\text{C}$ .

Use the freezer compartment:

- For storing deep-frozen food.
- To freeze food.
- To make ice cubes.

### Note

Ensure that the freezer compartment door is always closed. If the door is open, the frozen food will thaw. The freezer compartment will become covered in thick ice. Also: Energy will be lost due to high power consumption.

When the freezer compartment door is closed, a low pressure occurs, causing a sucking noise. Wait two to three minutes until the low pressure has adjusted itself.

## Features of the freezer compartment

(not all models)

### Freezer calendar



The figures next to the symbols indicate the permitted storage period of the produce in months. When purchasing frozen produce, observe the date of manufacture or sell-by date.

## Freezing food

Freeze fresh, undamaged food only. Keep food which is to be frozen away from food which is already frozen. To prevent food from losing its flavour or drying out, place in airtight containers.

### Freezing capacity

Information about the max. freezing capacity within 24 hours can be found on the rating plate (see chapter "Customer service").

### Packing food correctly:

1. Place the food in the wrapping.
2. Press out all the air.
3. Seal the wrapping.
4. Label the wrapping with the contents and date.

### The following products are not suitable for wrapping food:

Wrapping paper, greaseproof paper, cellophane, refuse bags and used shopping bags.

### The following products are suitable for wrapping food:

Plastic film, polyethylene blown film, aluminium foil and freezer tins. These products can be purchased from your dealer.

### The following products are suitable for sealing the wrapped food:

Rubber bands, plastic clips, string, cold-resistant adhesive tape or similar. Bags and polyethylene blown film can be sealed with a film sealer.

### Shelf life of frozen food

Storage duration depends on the type of food. At a temperature setting of  $-18^{\circ}\text{C}$ :

- Fish, sausage, ready meals and cakes and pastries:  
up to **6 months**
- Cheese, poultry and meat:  
up to **8 months**
- Vegetables and fruit:  
up to **12 months**

## Purchasing and storing deep-frozen food

When purchasing frozen food, observe the following:

- Check that the packaging is not damaged.
- Check the sell-by date.
- The temperature of the supermarket freezer should be  $-18^{\circ}\text{C}$  or lower. If not, the shelf life of the frozen food is reduced.
- Purchase deep-frozen food last. Wrap food in newspaper or place in a cool bag and take home.
- At home immediately place deep-frozen food in the freezer compartment. Consume the frozen food before the use-by date expires.

## Thawing frozen food

Depending on the type and application, select one of the following options:

- At room temperature.
- In the refrigerator.
- In an electric oven, with/without fan assisted hot-air.
- In a microwave oven.

### Note

Do not refreeze food which is beginning to thaw or which has already thawed. The food cannot be refrozen until it has been prepared (boiled or fried).

No longer store the frozen produce for the max. storage period.

## Ice and water dispenser

The following can be dispensed as required:

- cooled water,
- crushed ice,
- ice cubes.

### ⚠ Warning

Never reach into the ice cube dispenser opening! **Risk of injury!**

### Attention!

Do not place bottles or food in the cube container in order to cool them quickly. The ice maker may block and be damaged.

## Using the ice and water dispenser

The ice and water dispenser only works when the appliance is connected to the water mains.

When the appliance has been switched on, it takes approx. 24 hours until the first batch of ice cubes are ready.

When the appliance has been connected, there are still air bubbles in the lines.

Run off drinking water and pour away until water can be dispensed without bubbles. Pour away the first 5 glasses.

When using the ice maker for the first time, do not use the first 30–40 ice cubes for reasons of hygiene.

## Operating the ice maker

When the freezer compartment has reached its freezing temperature, water flows into the ice maker and freezes into ice cubes. When the ice cubes are ready, they are automatically discharged into the ice cube container.

Occasionally the sides of the ice cubes stick together. When they are conveyed to the outlet opening, they usually break away from each other.

When the ice cube container is full, ice making switches off automatically.

The ice maker can make approx. 100 ice cubes within 24 hours.

When ice cubes are being made, the buzzing water valve, the water flowing into the ice cube tray and the falling ice cubes can be heard.

## Observing drinking water quality

All materials used in the drinks dispenser are odourless and tasteless.

If the water has an aftertaste, this may be caused by:

- Mineral and chlorine content of the drinking water.
- Material of the domestic water line or connection line.
- Freshness of the drinking water. If water has not been dispensed for a long time, the water may have a “stale” taste. In this case dispense approx. 15 glasses of water and pour away.

Taste and odour of the water may be improved by installing the enclosed water filter in the water supply.

The enclosed water filter will filter only particles out of the supply water, not bacteria or microbes.

## Dispensing ice/water

- Select the ice and water dispenser button (water, crushed ice or ice cubes).
- Keep pressing the button until the required quantity is in the glass.

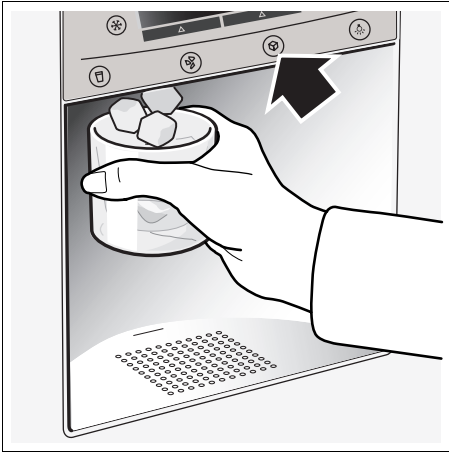
### Dispensing water:



### Tip:

The water from the water dispenser is cooled to a palatable temperature. If you would like the water colder, place ice cubes in the glass before dispensing the water.

## Dispensing ice:



## Disconnecting the ice maker

If ice cubes are not to be dispensed for longer than 1 week (e.g. holiday), temporarily disconnect the ice cube maker to prevent the ice cubes from freezing together.

- Remove the ice cube container.
- Press the On/Off switch behind the ice cube tray downwards – ice cube maker is switched off.



- Empty and clean ice cube container. Re-attach the ice cube container. Ensure that the ice cube container engages with the support.

Switching on the ice cube maker again:

- Press up the On/Off switch behind the ice cube tray for 5 seconds – ice cube maker is switched on.

### Note

The description under the On/Off switch is for customer service only and can be ignored.

## Switching the ice and water dispenser off

You can use this function to switch off the ice and water dispenser.

Empty and clean ice cube container. Re-attach the ice cube container. Ensure that the ice cube container engages with the support.

### Switching on and off

To switch the ice and water dispenser on and off, press the “freezer” and “super” button for 5 seconds. When the function is switched off, “IWD off” is lit on the display panel.

## Water filter

### Attention!

**Do not use the appliance in places where the water quality is risky or not sufficiently known about without suitable disinfection, before and after filtering.**

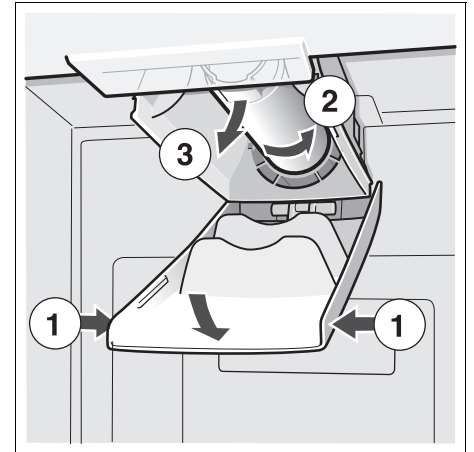
A filter cartridge for filtering particles can be obtained from customer service.

The water filter should be replaced after six months at the latest.

### Important information concerning the water filter

- After use, the water system is subject to low pressure. Be careful when removing the filter!
- Rinse the water system through if the appliance has not been used for a long period, or if the water tastes or smells unpleasant. In addition to this, draw water from the water dispenser for several minutes. If the unpleasant taste or smell persists exchange the filter cartridge.

## Exchanging the filter cartridge



- Insert new filter cartridge.
- Draw a few litres of water from the water dispenser. Doing this removes air from the water system.
- Pour water out of the used filter cartridge. The filter cartridge can be disposed of in the household rubbish.

# Specification and performance data sheet

**For filter model: 9000 225 170**

**Using replacement cartridge:  
9000 077 104**

The model was tested by NSF International with reference to ANSI/NSF Standards 42 & 53 and certified for a reduction in the substances cited below.

The concentration of the indicated substances which are dissolved in water and penetrate the system was reduced to a value below or equal to the permitted limit value in accordance with NSF/ANSI 42 and 53 for water discharged out of the appliance.

**Note**

Even though the tests were conducted under standard laboratory conditions, the actual performance may deviate from these tests.



**The system was tested and certified on model 9000 225 170 by NSF International with reference to ANSI/NSF Standard 53 for a reduction in cysts and turbidity, as well as with reference to ANSI/NSF Standard 42 for a reduction in the taste and odour of chlorine.**

**Nominal particle class: I**  
**Nominal service life: 2,800 litres**

Substance	Average in inflow	Inflow concentration	Waste water concentration	Average reduction as %	Max. permitted concentration in waste water	Max. waste water	Min. reduction as %	NSF test
Cysts *	166.500	Min. 50,000/l	1	99.99	99.95	1	99.99	511077-03
Turbidity	10.7	11 x 1 NTU	0.3 l	97.10	0.5 NTU	0.49	95.42	511078-03
Particle class I particle size 0.5 to <1 µm	5.700,000	At least 10,000 particles/ml	30,583	99.52	>85 %	69,000	98.9	511079-03
Taste of chlorine and turbidity	1.9	2.0 mg/l ±10%	0.05	97.3	>50 %	0.06	96.84	511081-03

\* Based on the use of Cryptosporium parvum oocysts.

**Application guidelines / Water supply parameters:**

Water pressure            207–827 kPa  
 Wather temperature \*    0.6 °C–38 °C  
 Flow rate                    2.83 l/min.

- The system is to be installed and operated according to the guidelines recommended by the manufacturer.
- The filter is to be changed every 6–9 months.
- Rinse new filter thoroughly for 5 minutes.
- More detailed information can be found on the warranty card.

**Without appropriate disinfection before and after connecting it to the system, this product should NOT be used if the water is microbiologically contaminated or if the quality has not been ascertained. A system certified for cyst reduction should be used for disinfected water which possibly contains filterable cysts.**

A one-year warranty is issued for the entire system (except disposable cartridge). With reference to disposable cartridges a warranty is issued for material and processing faults only. As the service life of disposable filter cartridges depends on the local water conditions, no warranty is issued for them.

More detailed information on the prices of spare parts is available from your appliance dealer or parts salesman on site.

Manufactured by:

3 M Material Technology  
 (Guang zhou) Ltd.  
 9 Nanxiang Er road, Science City,  
 Guang zhou, 510663, P.R. China

## Tips for saving energy

- Install the appliance in a cool, well ventilated room, but not in direct sunlight and not near a heat source (radiator, cooker, etc.). If required, use an insulating plate.
- Allow warm food and drinks to cool down before placing in the appliance!
- When thawing frozen food, place it in the refrigerator compartment. The low temperature of the frozen products cools the food in the refrigerator.
- Open the appliance door as briefly as possible.

## Operating noises

### Quite normal noises

**Humming** – refrigerating unit is running. The fan in the circulating air system is running.

**Bubbling, gurgling or whirring noises** – refrigerant is flowing through the tubing. Water flowing into the ice maker.

**Clicking** – motor is switching on or off. Solenoid valve on the water connection is opening or closing.

**Rumbling** – ready ice cubes from the ice maker are falling into the ice cube container.

### Preventing noises

#### The appliance is not level

Please align the appliance with a spirit level. Use the height-adjustable feet or place packing underneath them.

#### The appliance is not free-standing

Please move the appliance away from adjacent units or appliances.

#### Drawers, baskets or storage areas wobble or stick

Please check the removable parts and, if required, reinsert them.

#### Receptacles are touching each other

Please move bottles or receptacles away from each other.

## Defrosting

### Freezer compartment

The fully automatic Nofrost system ensures that the freezer compartment remains free of ice. Defrosting is no longer required.

### Refrigerator compartment

Defrosting is actuated automatically.

The condensation runs through the drainage hole into an evaporation pan on the rear of the appliance.

## Switching off and disconnecting the appliance

### Switching off the appliance

- Switch off the appliance.
- Pull out the mains plug.

### Disconnecting the appliance

If you do not use the appliance for a prolonged period:

- Before switching off, it is most important that you switch the water supply to the appliance off for a few hours.
- Take all food out of the appliance.
- Switch off the appliance.
- Pull out the mains plug.
- Clean the appliance interior (see chapter "Cleaning").

To prevent odours, leave the doors open.

## Cleaning

### ⚠ Warning

Never clean the appliance with a steam cleaner!

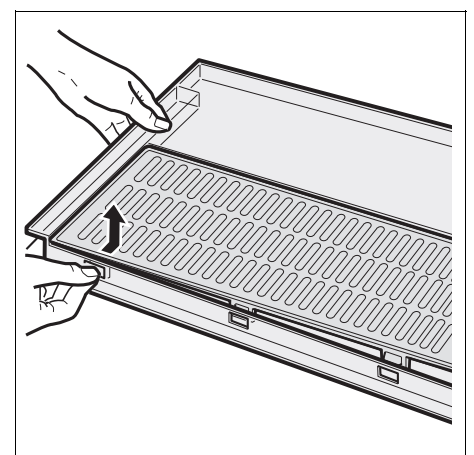
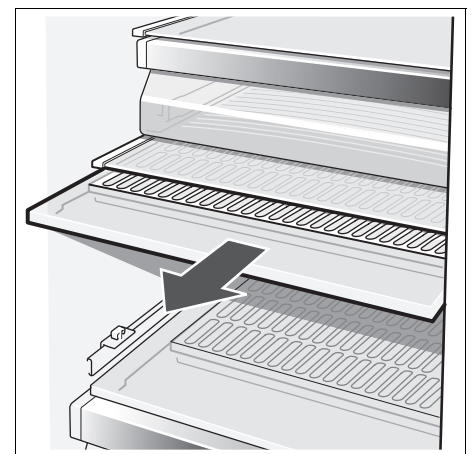
Do not use abrasive or acidic cleaning agents and solvents.

### Cleaning the appliance

Never clean shelves and containers in the dishwasher. The parts may warp!

- Before cleaning: Switch off the appliance and pull out the mains plug.
- Take the refrigerated food out of the appliance and store in a cool location.
- Clean the appliance with lukewarm water and a little washing-up liquid.
- Wipe the door seal with water only and then dry thoroughly.
- Clean the surface of the appliance with a soft damp cloth and a little washing-up liquid. Afterwards, rub dry.
- After cleaning: reconnect and switch on the appliance.

### Cleaning the humidity filter

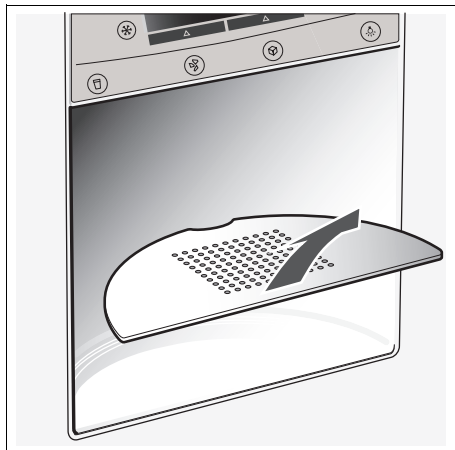




## Cleaning the water collecting tray

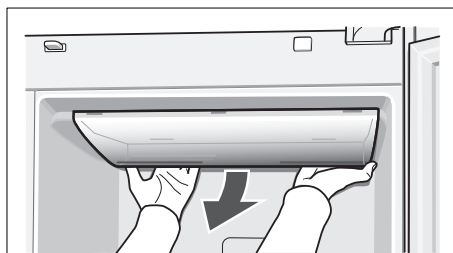
Spilled water collects in the water collecting tray.

To empty and clean, remove the filter. Wipe out water collecting tray with a sponge or absorbent cloth.



## Changing over the bulbs for refrigerator and freezer compartments

- **Attention!** Switch off the appliance and pull out the mains plug or switch off the fuse.



- Remove the cover.
- Change the bulb (replacement bulb, 220–240 V a.c., E14 lampholder, see defective bulb for wattage).
- Re-attach the cover.

---

## Light

(depending on model)

### LED light

Your appliance features a maintenance-free LED light.

#### Caution! LED light

Class 1M laser lighting (IEC 60825 Standard). Do not look directly into the lighting with optical instruments. Risk of eye injury!

These lights may be repaired by customer service or authorised technicians only.



## Eliminating minor faults yourself

### Before you call customer service:

- Please check whether you can eliminate the fault yourself based on the following information.
- Run an appliance self-test (see chapter “Appliance self-test”).

You must pay for customer service advice – even during the warranty period!

Fault	Possible cause	Remedial action
Temperature differs greatly from the set value.		In some cases it is adequate to switch off the appliance for 5 minutes.  If the temperature is too <b>high</b> , wait a few hours and check whether the temperature has approached the set value.  If the temperature is too <b>low</b> , check the temperature again the next day.
No display on the display panel.	The mains plug of the appliance is not in the socket properly. The fuse for the domestic supply is switched off.	Check whether the power is on, the fuse must be switched on.
“E” is indicated on the display panel.	Electronics module defective.	Call customer service.
Warning signal sounds and the temperature display on the freezer compartment flashes.	The freezer compartment is too warm! Frozen food is at risk! <ul style="list-style-type: none"> <li>• The ventilation openings have been covered.</li> <li>• Freezer compartment door is open.</li> <li>• Too much food was placed in the freezer compartment at once.</li> </ul>	Press the “alarm off/lock” button to switch off the warning signal and the flashing display.  The warmest temperature reached in the freezer compartment is indicated on the temperature display of the freezer section for 10 seconds.  <b>Note:</b> Frozen food which has started thawing or which has thawed can be refrozen if meat and fish were above +3 °C for not more than one day or other frozen food was above +3 °C for not more than three days.
The interior light is not functioning.	The light switch for the freezer or refrigerator compartment is sticking.  The light is defective.	Check whether the light switch can move.  See chapter “Light”.
The appliance becomes slightly louder for a brief period.	Not a fault! Your appliance is designed to save energy. Under certain conditions (e.g. activation of the Super function) the appliance must work harder for a brief period and therefore becomes slightly louder.	
Appliance has no refrigerating capacity. The interior light is not functioning.	Power failure; the fuse has been switched off; the mains plug has not been inserted properly.	Check whether the power is on, the fuse must be switched on.
The refrigerating unit is switching on more frequently and for longer.	Appliance door opened frequently.  Large quantities of fresh food are being frozen.  The ventilation openings have been covered.	Do not open the door unnecessarily.  Do not exceed max. freezing capacity.  Remove obstacles.
The temperature in the refrigerator or freezer compartment is too cold.	Temperature has been set too low.	Select a warmer temperature (see “Setting the temperature”).
The frozen food is frozen solid.		Loosen frozen food with a blunt object. Do not use a knife or pointed object.

## Water and ice dispenser

Fault	Possible cause	Remedial action
<b>Despite prolonged operating time, ice cubes are not being dispensed.</b>	Tap turned off.	Turn on tap.
	Water supply is interrupted. Water pressure too low.	Inform plumber.
	Ice maker is disconnected.	Switch on ice maker again (see "Disconnecting ice and water dispenser, ice maker").
	Ice and water dispenser is switched off. "IWD off" is lit on the display panel.	Switch on ice and water dispenser again (see "Switching off ice and water dispenser").
<b>Despite prolonged operating time, ice cubes are not being dispensed.</b>	Freezer compartment too warm.	Set temperature colder in the freezer compartment (see "Selecting the temperature").
<b>Ice cubes are in the ice cube container but are not being dispensed.</b>	Ice cubes are frozen together.	Remove and empty the ice cube container.
<b>Ice cubes are jammed in the outlet of the ice cube container or in the ice crusher.</b>		Remove the ice cube container and rotate the screw conveyor by hand. Loosen any jammed chunks of ice with a wooden chopstick.
<b>Ice cubes are watery.</b>	Ice cubes have melted – power failure or the freezer compartment door was not closed properly.	Remove the ice cube maker, empty and rub dry.
<b>Water dispenser is not functioning.</b>	Tap turned off.	Turn on tap.
	Water supply is interrupted. Water pressure too low.	Inform plumber.
<b>The ice maker does not make enough ice or the ice is deformed.</b>	The appliance or ice maker has only just been switched on.	Approx. 24 hours is needed until ice production starts.
	A lot of ice has been taken.	Approx. 24 hours is needed until the ice cube container is filled again.
	Low water pressure.	Connect appliance to the prescribed drinking water supply (see "Installing and connecting the appliance", "Water connection").
	The water filter is bunged up or used.	Change the water filter.

## Appliance self-test

Your appliance features an automatic self-test program which shows you sources of faults which may be repaired by customer service only.

### Starting the appliance self-test

- Switch off the appliance and wait 5 minutes.
- Switch on the appliance again.
- Simultaneously press button "+" and "-" button for 5 seconds.

The self-test programme starts. If "E.." is indicated on the display panel, an error has occurred. If a fault is indicated, inform customer service.

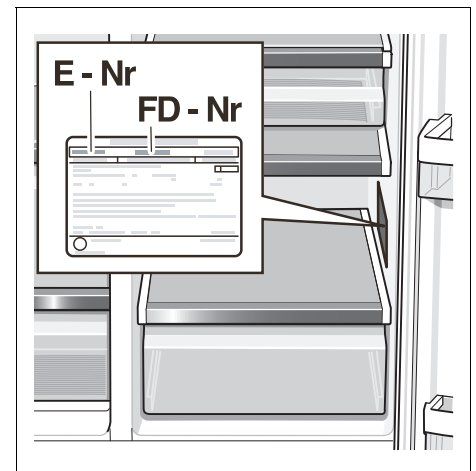
### Ending the appliance self-test

- Press the "+" and "-" buttons again for 5 seconds.

## Customer service

Your local customer service can be found in the telephone directory or in the customer-service index. Please provide customer service with the appliance product number (E-Nr.) and production number (FD).

This information can be found on the product label.



To prevent unnecessary call-outs, please assist customer service by quoting the product and production numbers. This will save you additional costs.

**NeffCOM**®

**0 18 05 - 24 00 25**

(EUR 0,14/Min. DTAG)