

Safety instructions

- The washing machine is heavy - take care when lifting.
- Caution: frozen hoses can crack/burst. Do not install the washing machine outdoors or in areas exposed to frost.
- The washing machine could be damaged. Do not lift the appliance by protruding components (e.g. the washing machine door).
- In addition to the instructions provided in this document, special regulations from the relevant water and electric utility companies may apply.
- If in doubt, have a technician connect the appliance.
- The worktop must have no openings in the area around the washing machine.
- Route hoses and cables in such a way that there is no risk of tripping.

Environmentally-friendly disposal

- Dispose of packaging in an environmentally friendly manner.
- This appliance is labelled in accordance with European Directive 2002/96/EC on Waste Electrical and Electronic Equipment - WEEE. The directive provides an EU-wide framework for the return and recycling of used appliances.

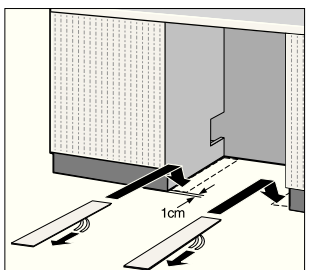
Installation surface

- The machine must be stable so that it does not move around.
- The surface on which it is installed must be firm and level.
- Soft floors/floor coverings are not suitable.

Installation using slider sheets

Slide sheets make it easier to slide the washing machine into the installation recess. Order using spare part no. 66 1827

Before sliding in the machine, dampen the slide sheets with a mixture of water and detergent. Do not use any fat and/or oil.



Installation under a high-level worktop -> Appliance dimensions, Page 3

- Adjustment strips: order no. WZ 20470, WMZ 20470, Z 7090X0
- Height adjustment kit: order no. WZ 20440, WMZ 20440, Z 7060X0

Installation on a pedestal

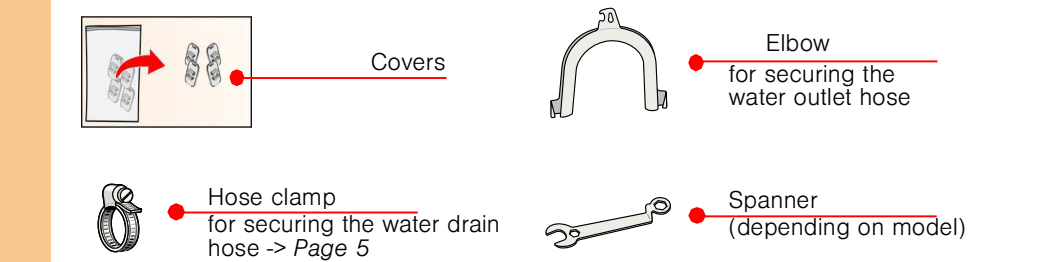
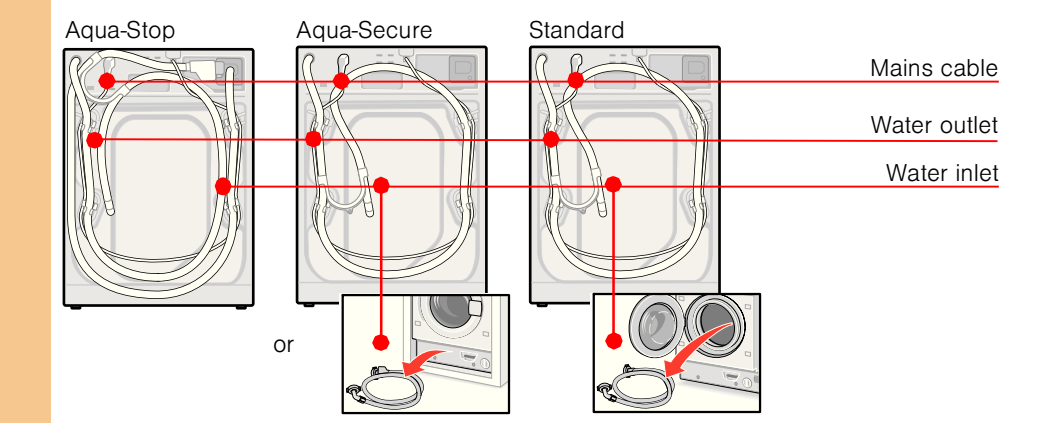
The front feet of the washing machine **must** be secured with holding brackets. Order no. WMZ 2200, WX 975600, CZ 110600, Z 7080X0

Installation on a wood joist floor

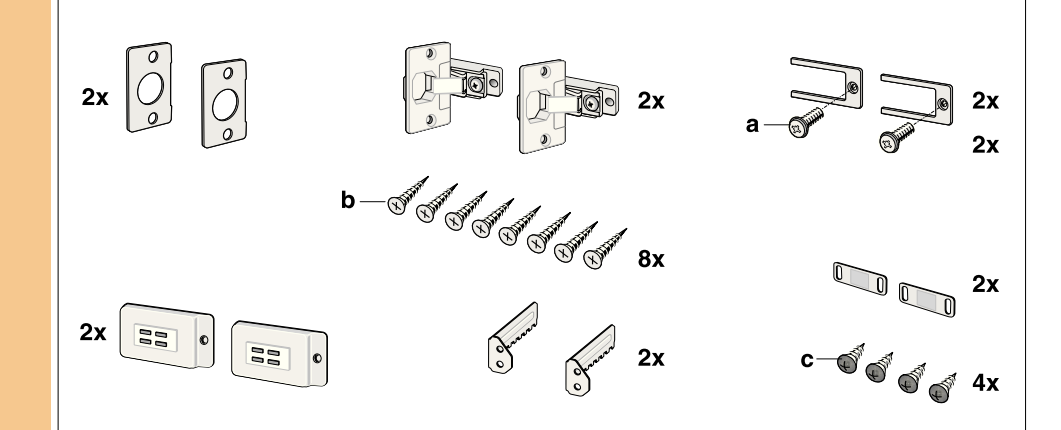
- If possible, place the washing machine in a corner.
- Screw a water-resistant wooden plate (min. 30 mm thick) to the floor. In doing so, take into account the height of the kitchen worktop.
- The feet of the washing machine **must** be secured with holding brackets. * Order no. WMZ 2200, WX 975600, CZ 110600, Z 7080X0

Scope of delivery depending on model

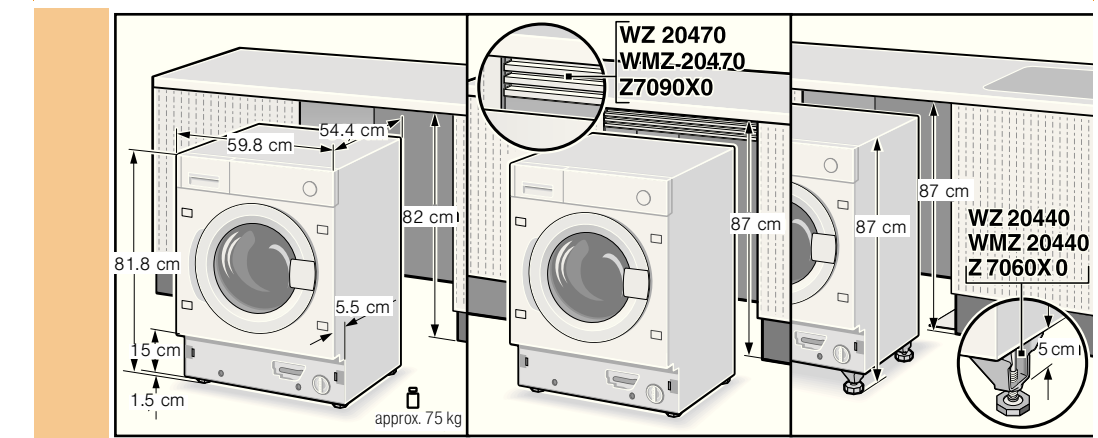
Moisture inside the drum is due to final testing.



Parts for assembly -> Page 8 - 13

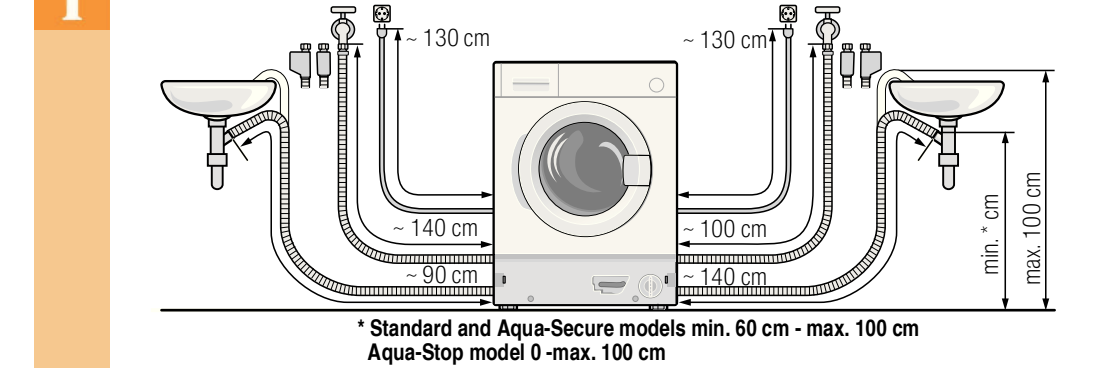


Appliance dimensions depending on model



Hose and cable lengths depending on model

Left-hand connection or Right-hand connection



Note: Using hose clips limits the possible hose lengths. Available from specialist retailers/the after-sales service:
 - Extension for Aqua-Stop and cold water inlet hose (approx. 2.50 m). Order no. WMZ2380, WZ10130, CZ11350, Z7070X0

Useful tools

- Spirit level for levelling
- Screwdriver
- Drill

Removing the transport safety devices

- Before using the appliance for the first time, the 4 transport safety devices must be completely removed and kept safe.
- If you need to transport the appliance at a later date, always refit the transport safety devices to prevent damage to the machine. -> Page 6.
- Keep the screws and sleeves in a safe place.

1. Take the hoses (depending on model) out of the holders and the elbow. Remove the elbow.



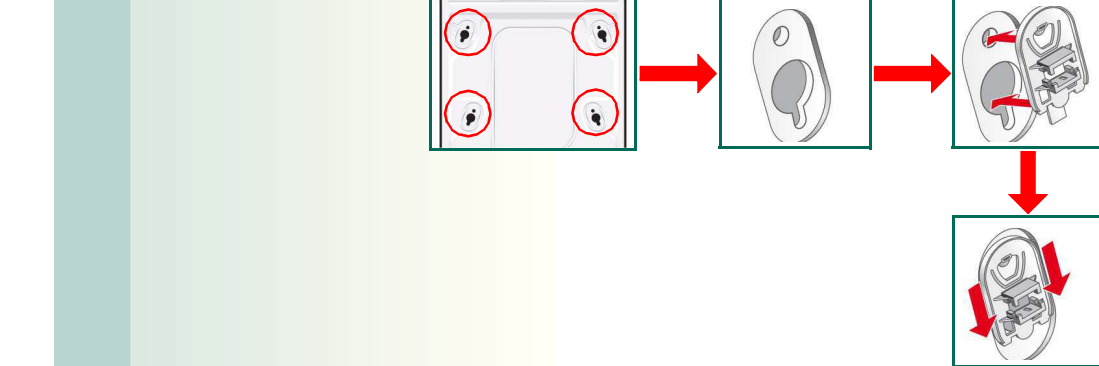
2. Unscrew and remove the bolts from all 4 transport safety devices.



3. Take the mains cable out of the holder. Remove the sleeves.



4. Insert the covers.



Water connection depending on model

- Risk of electric shock. Do not immerse the Aqua-Stop safety device in water (contains an electric valve).
- To prevent leaks or water damage, observe the instructions in this section.
- **Caution:** only operate the washing machine using cold drinking water.
- Do not connect to the mixer tap of an unpressurised hot-water boiler.
- Do not use a used inlet hose. Only use the inlet hose supplied or one which was purchased from an authorised specialist retailer.
- If in doubt, have a technician connect the appliance.

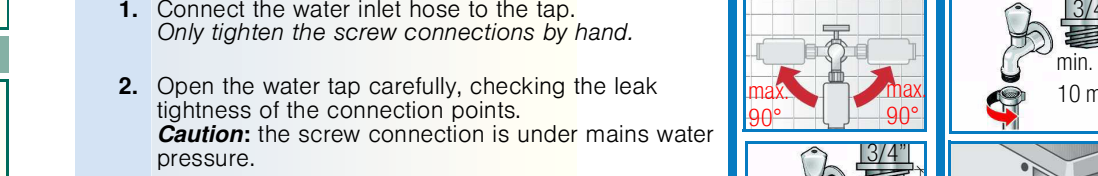
Water inlet

Water inlet hose:
Caution: do not kink, squash, modify or cut through (otherwise its strength is no longer guaranteed).

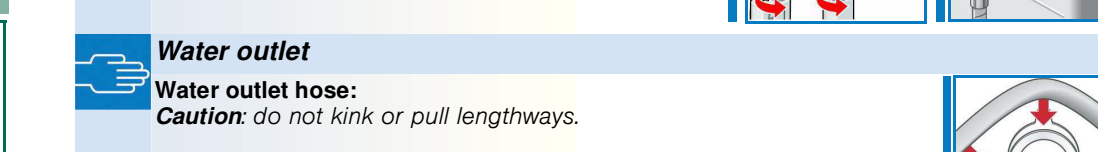
Optimum water pressure in the supply network: 100-1000 kPa (1-10 bar)
 - Water flows at a rate of at least 8 l/min when the tap is turned on.

- If the water pressure is higher than this, a pressure reducing valve must be installed.

1. Connect the water inlet hose to the tap. Only tighten the screw connections by hand.



2. Open the water tap carefully, checking the leak tightness of the connection points. **Caution:** the screw connection is under mains water pressure.



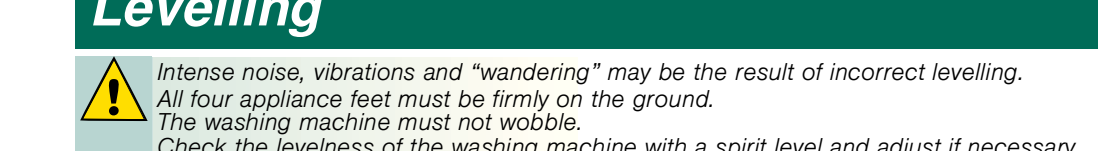
Water outlet

Water outlet hose:
Caution: do not kink or pull lengthways.

Height difference between the installation surface and the drain:
 - for Aqua-Secure and Standard models: min. 60 cm - max. 100 cm
 - for Aqua-Stop model: 0 - max. 100 cm

Drainage into a siphon:

Caution: the connection point must be secured with the hose clamp provided, Ø 24-40 mm.



Levelling

- Intense noise, vibrations and "wandering" may be the result of incorrect levelling. All four appliance feet must be firmly on the ground. The washing machine must not wobble. Check the levelness of the washing machine with a spirit level and adjust if necessary. The washing machine must not rest against the side panels of the installation recess. The lock nuts of the front appliance feet must be screwed tightly against the housing.

Electrical connection

- The washing machine must only be connected to an alternating current via a properly installed earthed socket.
- The mains voltage must correspond to the voltage specifications on the washing machine. -> Page 7; Technical data.
- Connected load and required fuse -> Page 7; Technical data.
- Make sure that:
 - the mains plug fits the socket,
 - the cable cross-section is adequate,
 - the earthing system is properly installed.
- The mains cable may only be replaced by a qualified electrician (if required). Replacement mains cables are available from customer services.
- Do not use multiple plugs/couplings and/or extension leads.
- If a residual current circuit breaker is used, only use a type which displays this symbol: ☒. Only this symbol guarantees compliance with the currently applicable regulations.
- Mains plug:
 - do not plug in to/pull out of the socket with damp hands.
 - when removing the plug from the socket, pull the plug body only, not the cable.
 - never pull the plug out during operation.

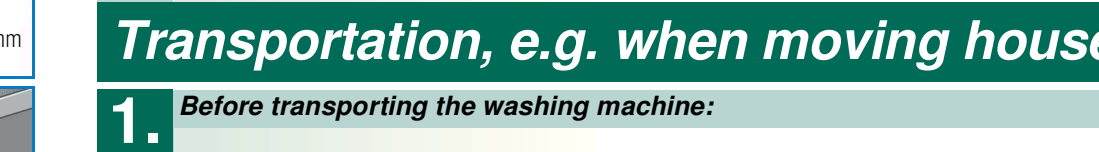
Transportation, e.g. when moving house

1. Before transporting the washing machine:

1. Turn off the tap.
2. Reduce the water pressure in the inlet hose -> Instruction manual; filter in water inlet.
3. Drain residual water -> Instruction manual; drain pump.
4. Disconnect the washing machine from the power supply.
5. Disconnect the hoses.

2. Install the transport safety devices:

1. Remove the covers.
2. Insert all 4 sleeves. Clamp the mains cable to the holders. Insert and tighten the screws.



After transportation, the transport safety devices **must** be removed. -> Page 4.

Empty programme

To prevent unused detergent from flowing straight into the drain during the next wash: Pour 1 litre of water into compartment II and start the **Empty** programme.

Technical data

Weight	75 - 84 kg depending on model
Mains connection	Nominal voltage 220-240 V, 50 Hz Nominal current 10 A Nominal power 2,300 W
Water pressure	100-1000 kPa (1-10 bar)
Test programme	in accordance with the currently valid European Standard 60456

After-sales service

- If you cannot rectify a fault yourself -> Instruction manual: What do if ..., Page 12/13, please contact our after-sales service. We can always find a suitable remedy, so that a technician is not called out unnecessarily.
- The contact details for your nearest after-sales service can be found here or in the After-sales service directory (depending on the model).
- Please give the after-sales service the product number (E no.) and the production number (FD) of the appliance.

This information can be found: on the inside* of the washing machine door and on the back panel of the appliance

You can rely on the competence of the manufacturer. Please contact us. This way, you can ensure the repair is carried out by trained service technicians who are equipped with genuine spare parts.

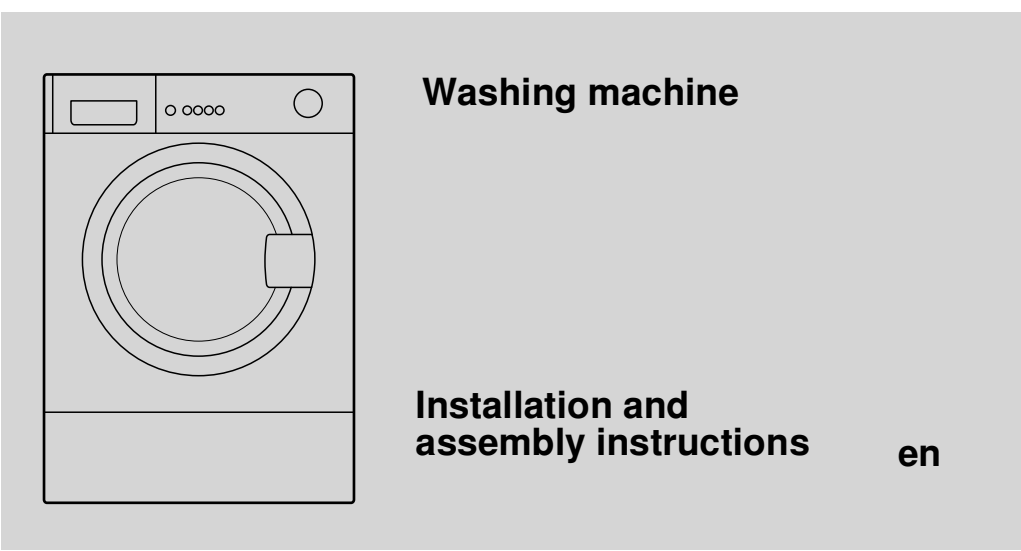
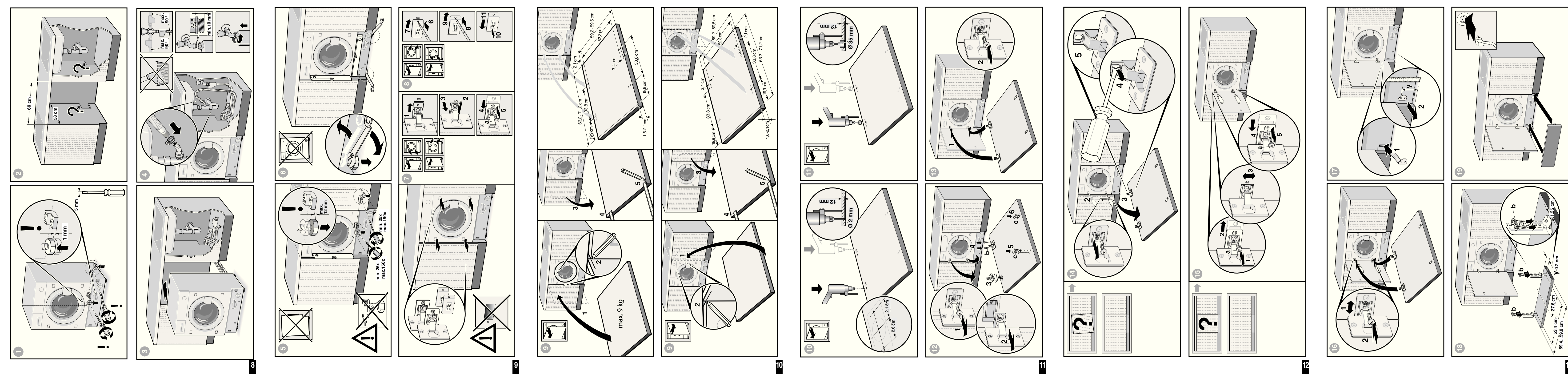
Aqua-Stop warranty only for appliances with Aqua-Stop

In addition to warranty claims against the vendor from the purchase agreement and in addition to our appliance warranty, we will pay damages under the following conditions:

1. If a fault in our Aqua-Stop system causes water damage, we will reimburse damages caused to private customers.
2. The liability warranty is valid for the service life of the appliance.
3. A warranty claim is only valid on condition that the appliance fitted with Aqua-Stop has been correctly installed and connected according to our instructions. This condition includes the correct fitting of an Aqua-Stop extension (genuine accessory). Our warranty goes not cover defective power cables or fittings between the Aqua-Stop connection and the tap.
4. Appliances with Aqua-Stop do not need to be supervised during operation, nor secured afterwards by turning off the tap. The tap only needs to be turned off if you are away from home for a long period, e.g. for several weeks' holiday.

Manufacturer (see instruction manual)





Contents

	Page
■ Safety instructions	1
■ Environmentally-friendly disposal	1
■ Installation surface	1
■ Scope of delivery	2
■ Appliance dimensions	3
■ Hose and cable lengths	3
■ Useful tools	3
■ Removing the transport safety devices	4
■ Water connection	5
■ Levelling	5
■ Electrical connection	6
■ Transportation, e.g. when moving house	6
■ Technical data	7
■ After-sales service	7
■ Aqua-Stop warranty	7
■ Assembly instructions	8-13

Image sequence 1-19

! Read these instructions before switching on the washing machine. Also observe the separate Instruction manual. Keep all the documents in a safe place for future reference, or to pass on to the next owner.



Safety instructions

- The washing machine is heavy - take care when lifting.
- Caution: frozen hoses can crack/burst. Do not install the washing machine outdoors or in areas exposed to frost.
- The washing machine could be damaged. Do not lift the appliance by protruding components (e.g. the washing machine door).
- In addition to the instructions provided in this document, special regulations from the relevant water and electric utility companies may apply.
- If in doubt, have a technician connect the appliance.
- The worktop must have no openings in the area around the washing machine.
- Route hoses and cables in such a way that there is no risk of tripping.

Environmentally-friendly disposal



- Dispose of packaging in an environmentally friendly manner.
- This appliance is labelled in accordance with European Directive 2002/96/EC on Waste Electrical and Electronic Equipment - WEEE. The directive provides an EU-wide framework for the return and recycling of used appliances.

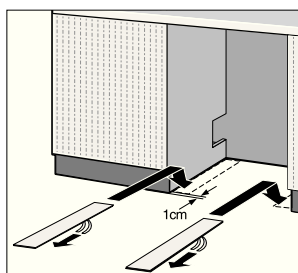
Installation surface

- The machine must be stable so that it does not move around.
- The surface on which it is installed must be firm and level.
- Soft floors/floor coverings are not suitable.

Installation using slider sheets

Slide sheets make it easier to slide the washing machine into the installation recess. Order using spare part no. 66 1827

Before sliding in the machine, dampen the slide sheets with a mixture of water and detergent. Do not use any fat and/or oil.



Installation under a high-level worktop -> Appliance dimensions, Page 3

- Adjustment strips: order no. WZ 20470, WMZ 20470, Z 7090X0
- Height adjustment kit: order no. WZ 20440, WMZ 20440, Z 7060X0

Installation on a pedestal

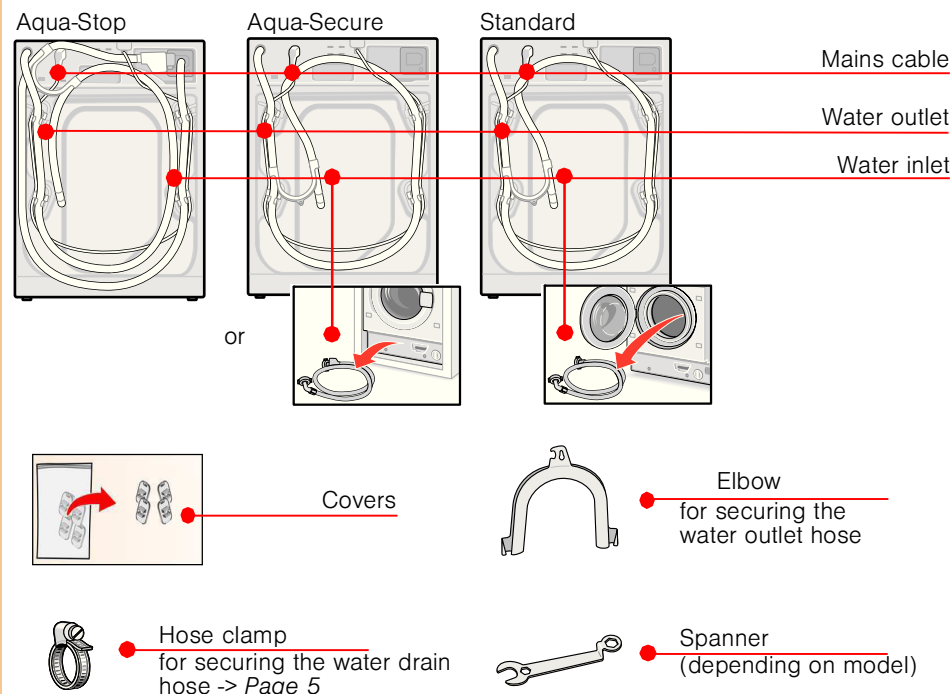
The front feet of the washing machine **must** be secured with holding brackets. Order no. WMZ 2200, WX 975600, CZ 110600, Z 7080X0

Installation on a wood joist floor

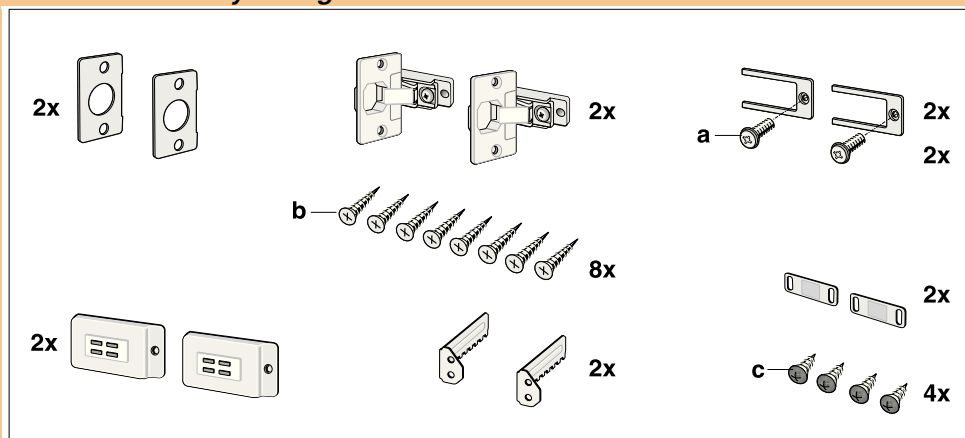
- If possible, place the washing machine in a corner.
- Screw a water-resistant wooden plate (min. 30 mm thick) to the floor. In doing so, take into account the height of the kitchen worktop.
- The feet of the washing machine **must** be secured with holding brackets.
- * Order no. WMZ 2200, WX 975600, CZ 110600, Z 7080X0

Scope of delivery depending on model

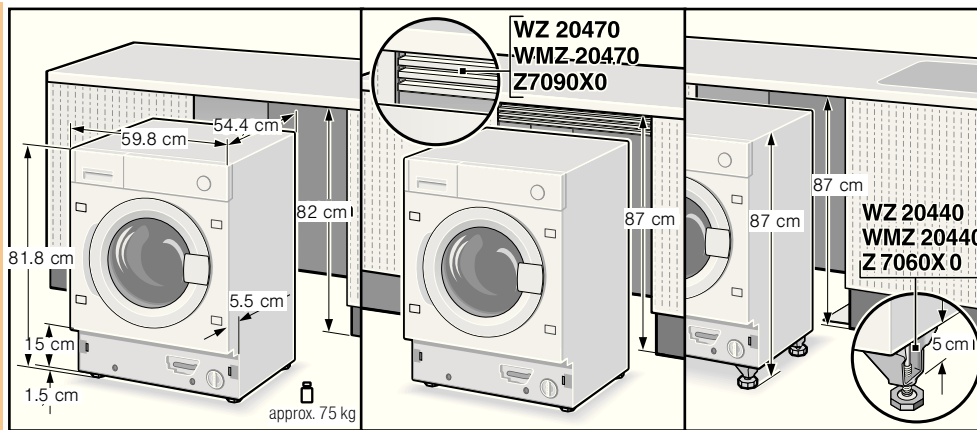
Moisture inside the drum is due to final testing.



Parts for assembly -> Page 8 - 13

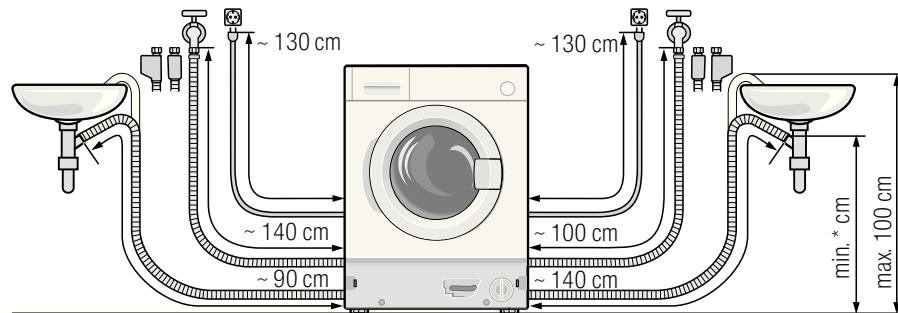


Appliance dimensions depending on model



Hose and cable lengths depending on model

i Left-hand connection or Right-hand connection



* Standard and Aqua-Secure models min. 60 cm - max. 100 cm
Aqua-Stop model 0 - max. 100 cm

Note: Using hose clips limits the possible hose lengths.
Available from specialist retailers/the after-sales service:
– Extension for Aqua-Stop and cold water inlet hose (approx. 2.50 m).
Order no. WMZ2380, WZ10130, CZ11350, Z7070X0

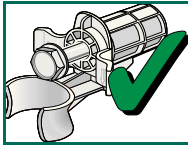
Useful tools

- Spirit level for levelling
- Screwdriver
- Drill

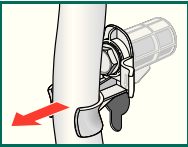
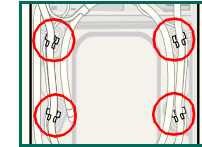
Removing the transport safety devices



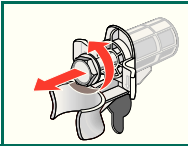
- Before using the appliance for the first time, the 4 transport safety devices must be completely removed and kept safe.
- If you need to transport the appliance at a later date, always refit the transport safety devices to prevent damage to the machine.
–> Page 6.
- Keep the screws and sleeves in a safe place.



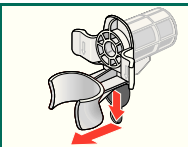
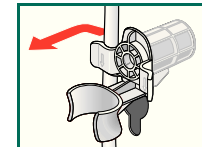
1. Take the hoses (depending on model) out of the holders and the elbow. Remove the elbow.



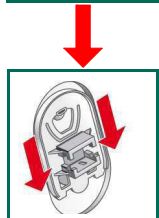
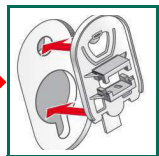
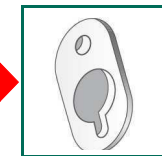
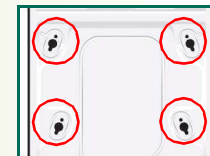
2. Unscrew and remove the bolts from all 4 transport safety devices.



3. Take the mains cable out of the holder. Remove the sleeves.



4. Insert the covers.



Water connection depending on model

- ⚠ Risk of electric shock. Do not immerse the Aqua-Stop safety device in water (contains an electric valve).
- To prevent leaks or water damage, observe the instructions in this section.
- Caution:** only operate the washing machine using cold drinking water.
- Do not connect to the mixer tap of an unpressurised hot-water boiler.
- Do not use a used inlet hose. Only use the inlet hose supplied or one which was purchased from an authorised specialist retailer.
- If in doubt, have a technician connect the appliance.

Water inlet

Water inlet hose:

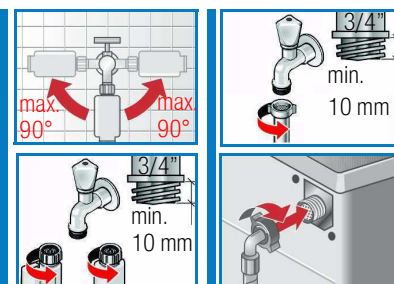
Caution: do not kink, squash, modify or cut through (otherwise its strength is no longer guaranteed).

Optimum water pressure in the supply network: 100-1000 kPa (1-10 bar)

- Water flows at a rate of at least 8 l/min when the tap is turned on.
- If the water pressure is higher than this, a pressure reducing valve must be installed.

Model: Aqua-Stop Aqua-Secure Standard

- Connect the water inlet hose to the tap. Only tighten the screw connections by hand.
- Open the water tap carefully, checking the leak tightness of the connection points.
Caution: the screw connection is under mains water pressure.



Water outlet

Water outlet hose:

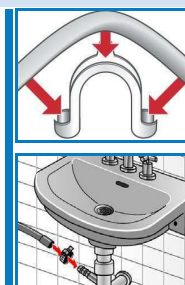
Caution: do not kink or pull lengthways.

Height difference between the installation surface and the drain:

- for Aqua-Secure and Standard models: min. 60 cm - max. 100 cm
- for Aqua-Stop model: 0 - max. 100 cm

Drainage into a siphon:

Caution: the connection point must be secured with the hose clamp provided, \varnothing 24-40 mm.



Levelling

- ⚠ Intense noise, vibrations and "wandering" may be the result of incorrect levelling. All four appliance feet must be firmly on the ground. The washing machine must not wobble. Check the levelness of the washing machine with a spirit level and adjust if necessary. The washing machine must not rest against the side panels of the installation recess. The lock nuts of the front appliance feet must be screwed tightly against the housing.

5

⚠ Electrical connection

- The washing machine must only be connected to an alternating current via a properly installed earthed socket.
- The mains voltage must correspond to the voltage specifications on the washing machine. -> Page 7; Technical data.
- Connected load and required fuse -> Page 7; Technical data.
- Make sure that:
 - the mains plug fits the socket,
 - the cable cross-section is adequate,
 - the earthing system is properly installed.
- The mains cable may only be replaced by a qualified electrician (if required). Replacement mains cables are available from customer services.
- Do not use multiple plugs/couplings and/or extension leads.
- If a residual current circuit breaker is used, only use a type which displays this symbol: . Only this symbol guarantees compliance with the currently applicable regulations.
- Mains plug:
 - do not plug in to/pull out of the socket with damp hands.
 - when removing the plug from the socket, pull the plug body only, not the cable.
 - never pull the plug out during operation.

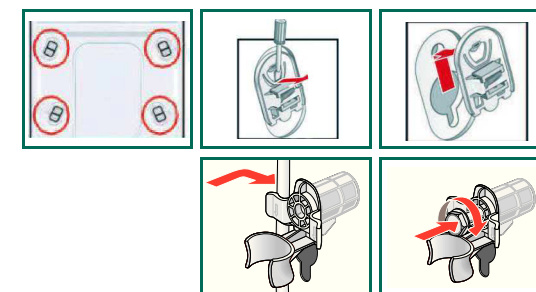
Transportation, e.g. when moving house

1. Before transporting the washing machine:

- Turn off the tap.
- Reduce the water pressure in the inlet hose -> *Instruction manual*; filter in water inlet.
- Drain residual water -> *Instruction manual*; drain pump.
- Disconnect the washing machine from the power supply.
- Disconnect the hoses.

2. Install the transport safety devices:

- Remove the covers.
- Insert all 4 sleeves. Clamp the mains cable to the holders. Insert and tighten the screws.



After transportation, the transport safety devices **must** be removed. -> Page 4.



To prevent unused detergent from flowing straight into the drain during the next wash: Pour 1 litre of water into compartment II and start the **Empty** programme.

6

Technical data

Weight	75 - 84 kg <i>depending on model</i>
Mains connection	Nominal voltage 220-240 V, 50 Hz Nominal current 10 A Nominal power 2,300 W
Water pressure	100-1000 kPa (1-10 bar)
Test programme	in accordance with the currently valid European Standard 60456

After-sales service

- If you cannot rectify a fault yourself → Instruction manual: *What do to if ...*, Page 12/13, please contact our after-sales service. We can always find a suitable remedy, so that a technician is not called out unnecessarily.
- The contact details for your nearest after-sales service can be found here or in the After-sales service directory (depending on the model).
- Please give the after-sales service the product number (E no.) and the production number (FD) of the appliance.

E-Nr. _____ FD _____

Product number Production number

*This information can be found:
on the inside* of the washing
machine door and on the back
panel of the appliance*

- **You can rely on the competence of the manufacturer.** Please contact us. This way, you can ensure the repair is carried out by trained service technicians who are equipped with genuine spare parts.

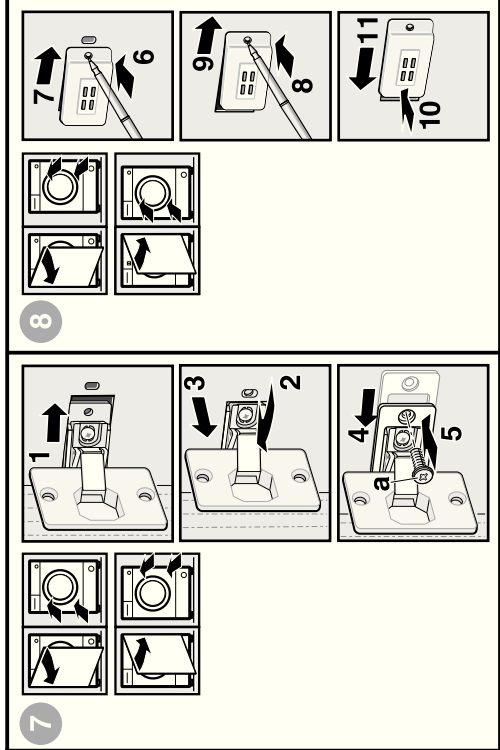
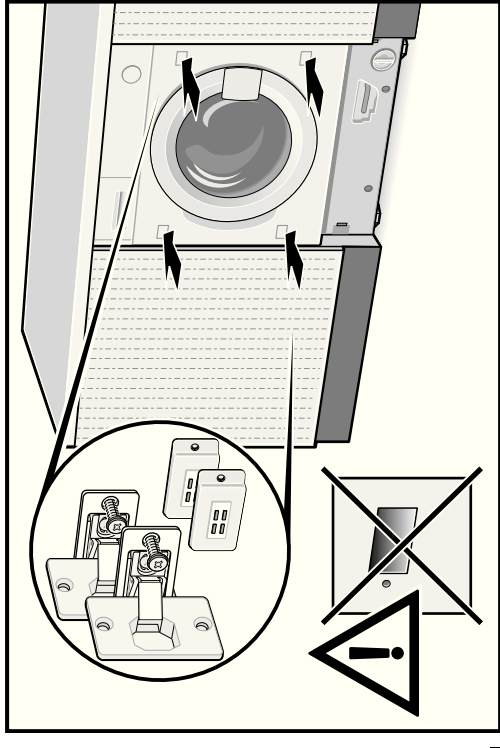
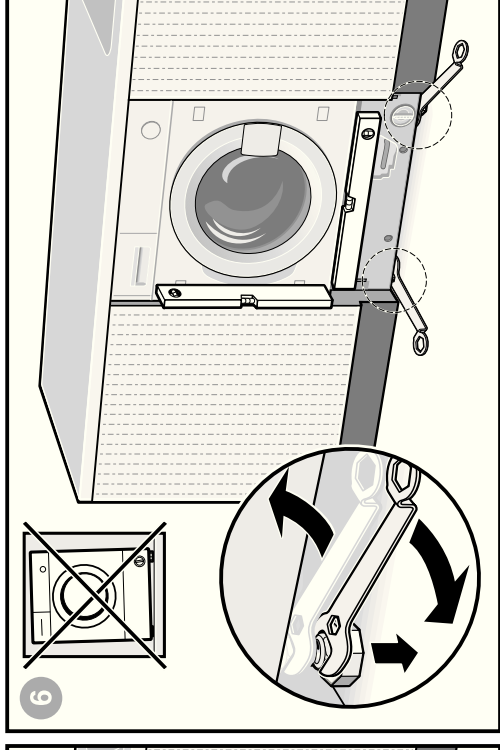
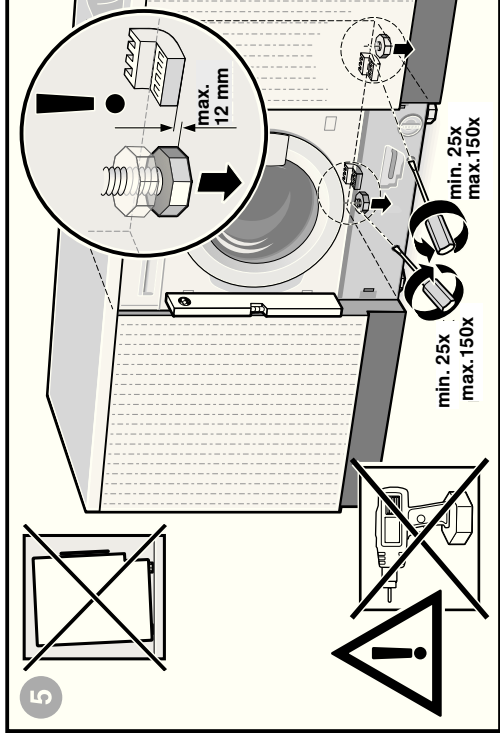
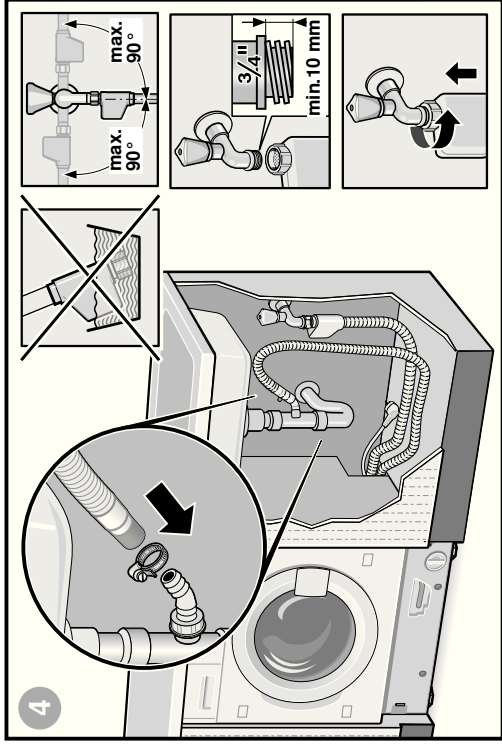
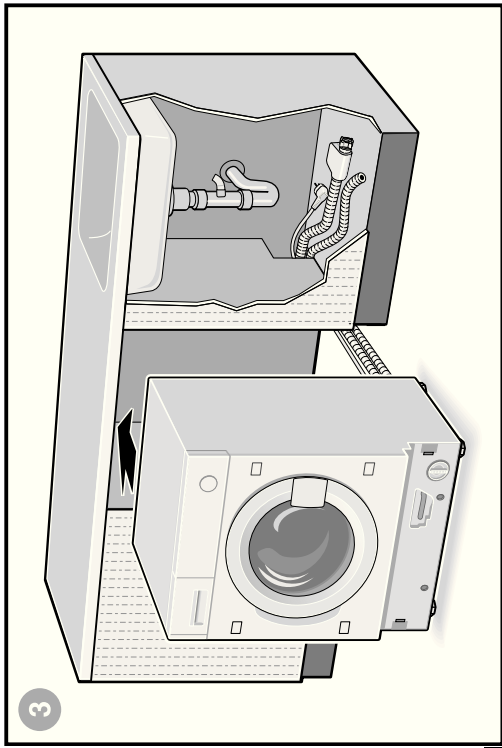
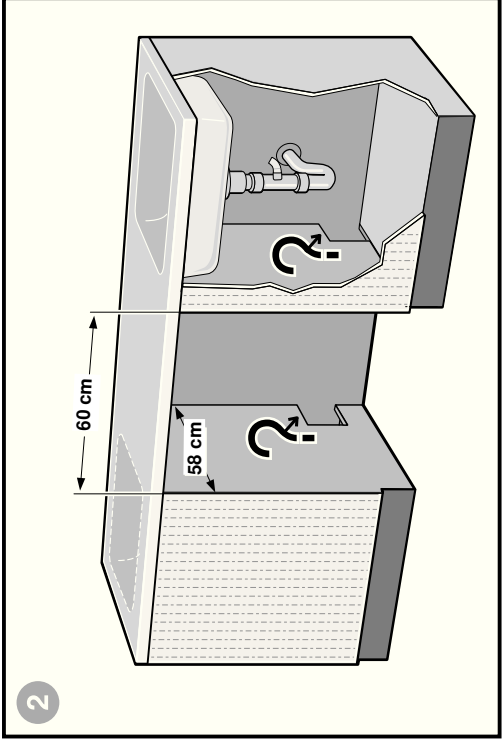
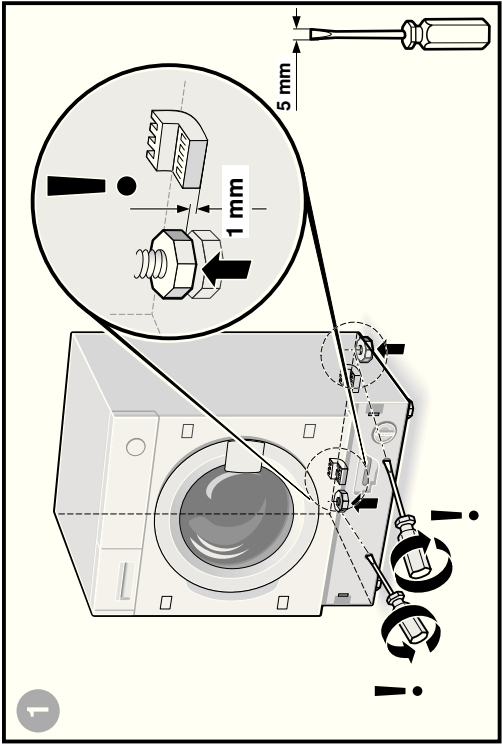
Aqua-Stop warranty only for appliances with Aqua-Stop

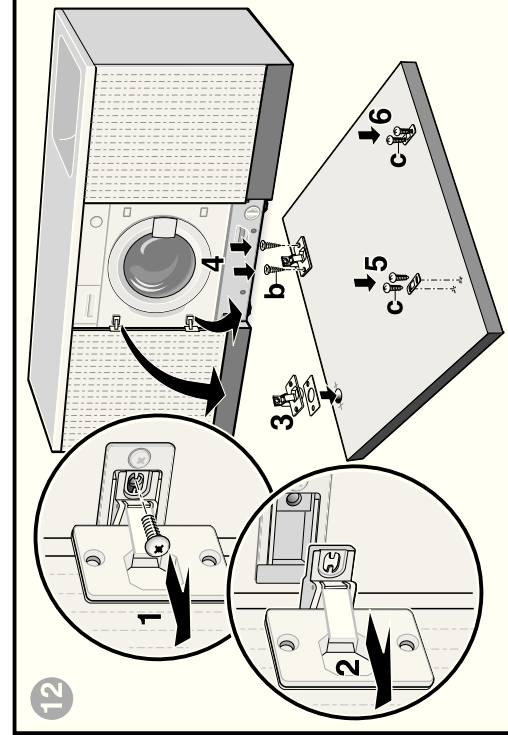
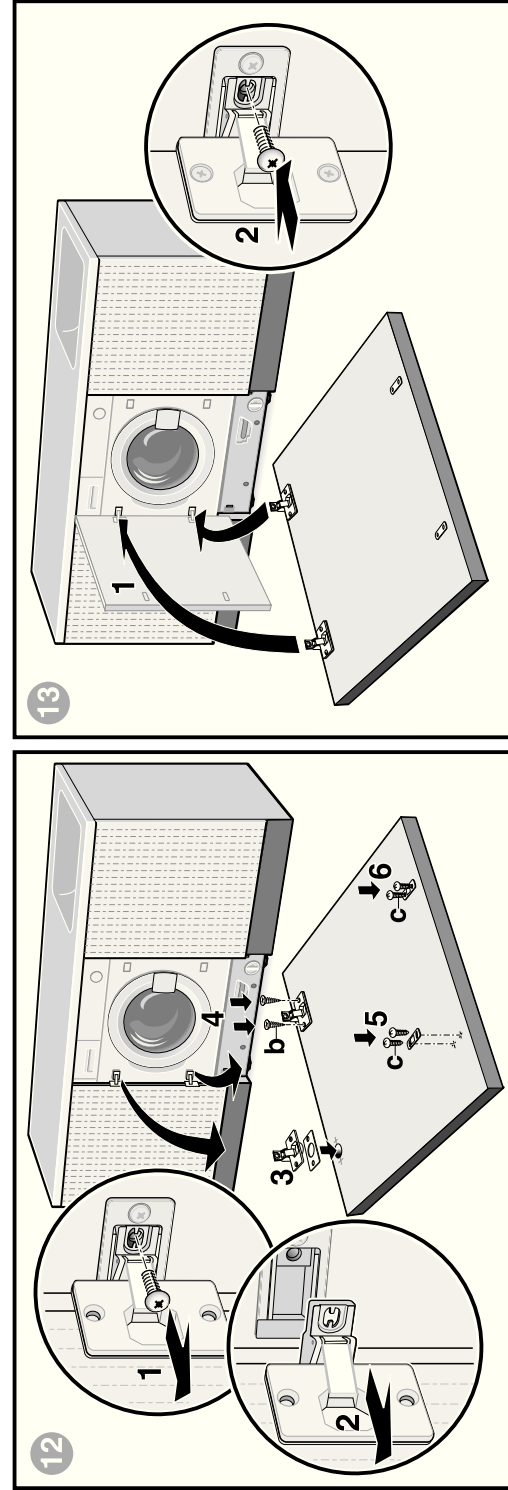
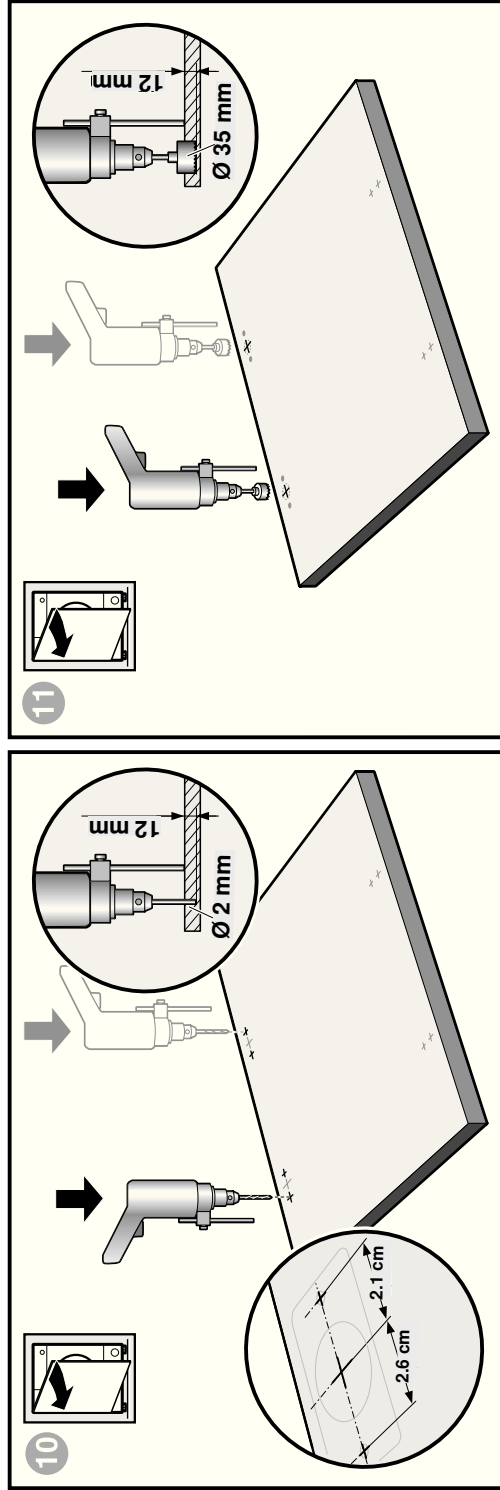
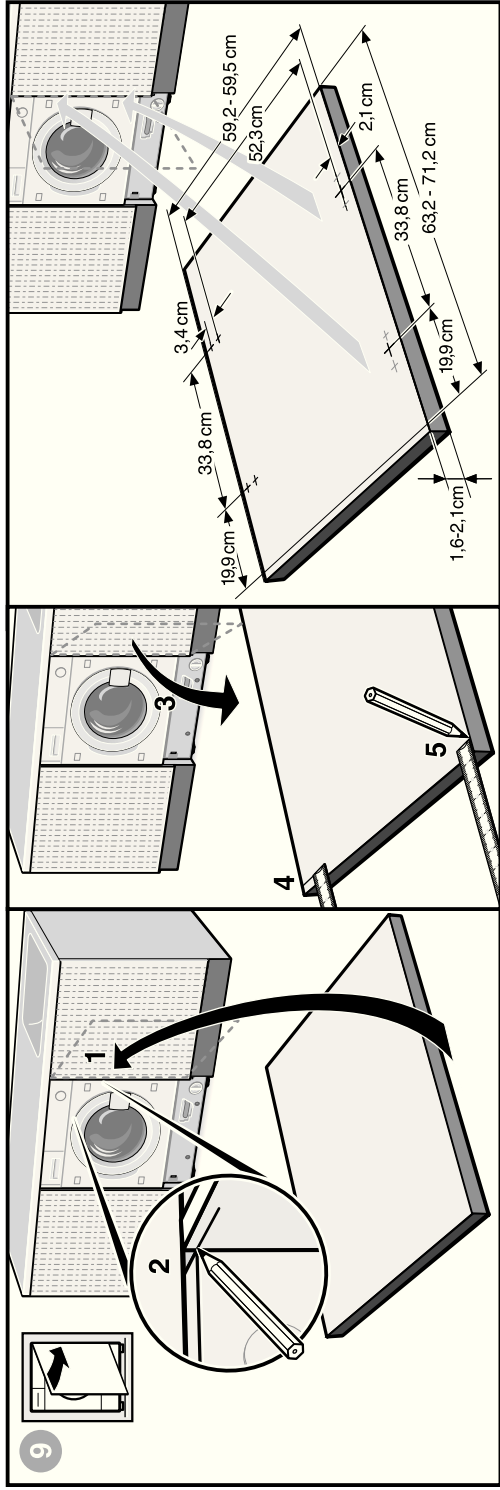
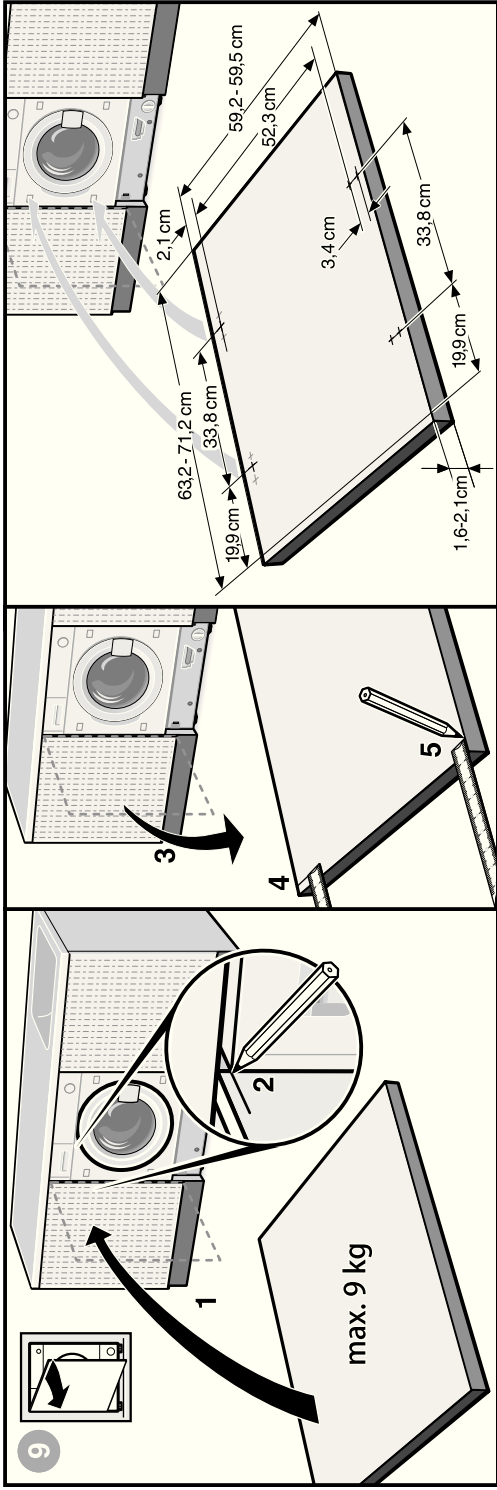
In addition to warranty claims against the vendor from the purchase agreement and in addition to our appliance warranty, we will pay damages under the following conditions:

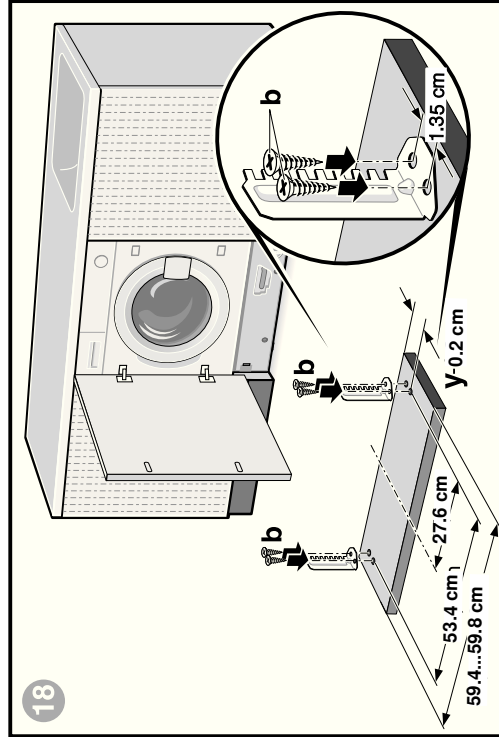
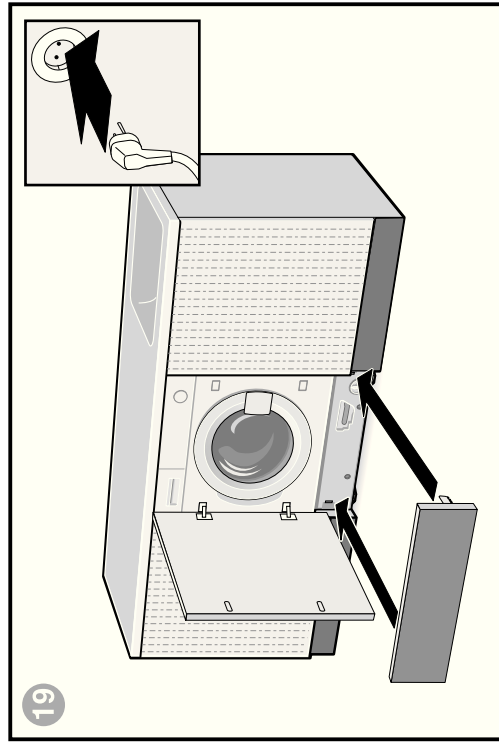
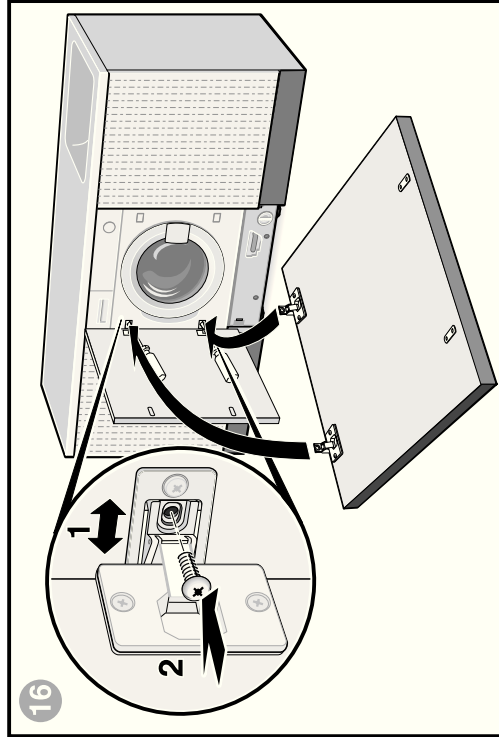
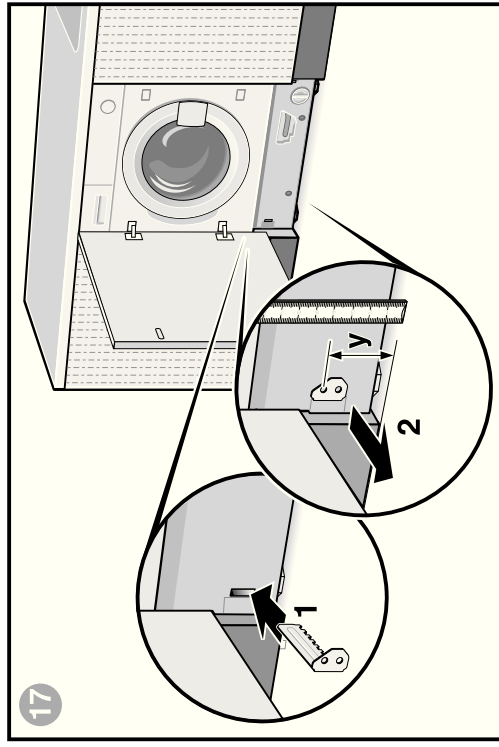
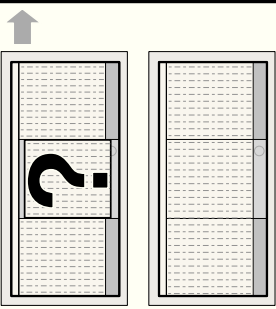
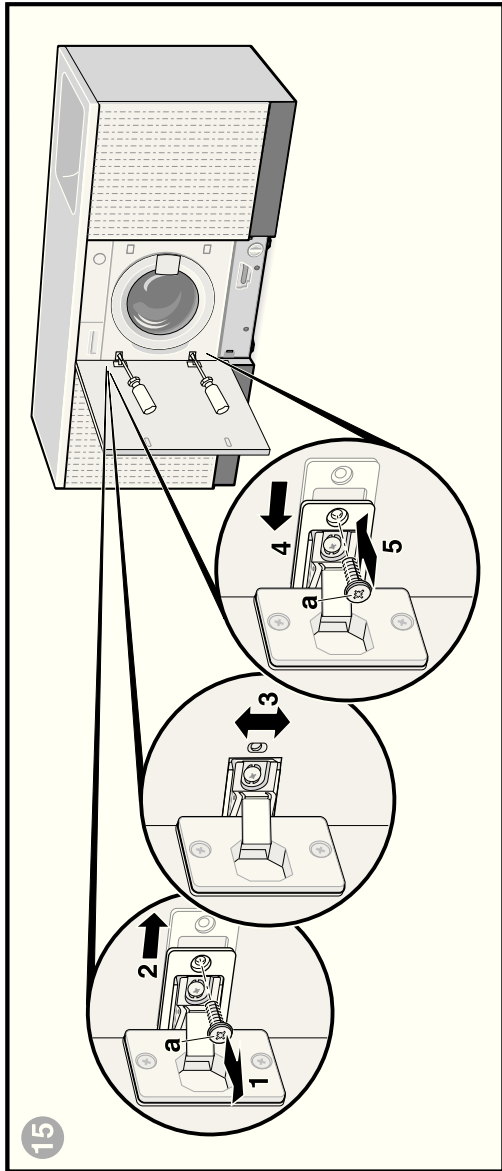
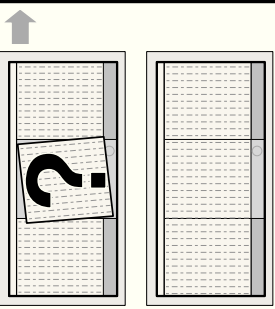
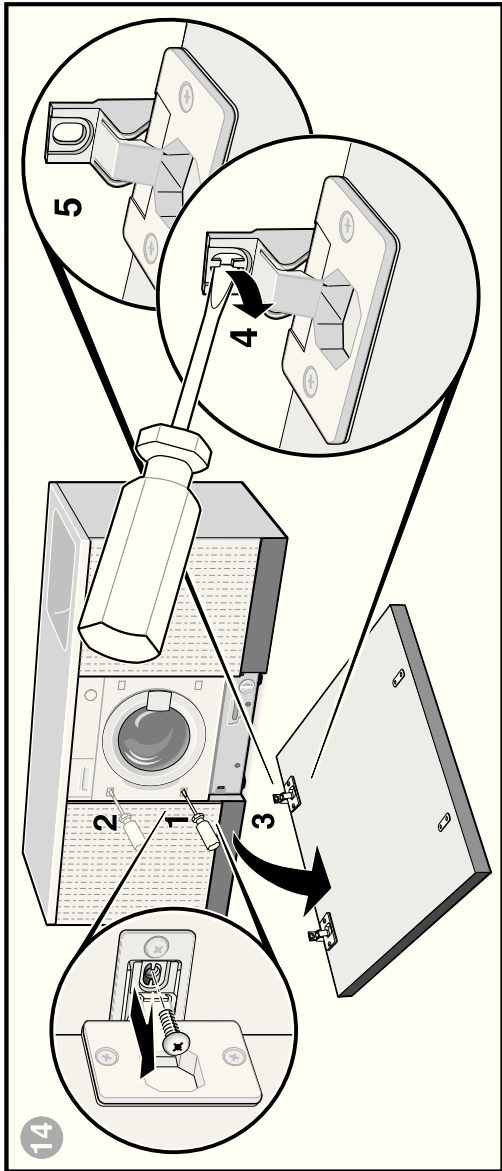
1. If a fault in our Aqua-Stop system causes water damage, we will reimburse damages caused to private customers.
2. The liability warranty is valid for the service life of the appliance.
3. A warranty claim is only valid on condition that the appliance fitted with Aqua-Stop has been correctly installed and connected according to our instructions. This condition includes the correct fitting of an Aqua-Stop extension (genuine accessory).
Our warranty goes not cover defective power cables or fittings between the Aqua-Stop connection and the tap.
4. Appliances with Aqua-Stop do not need to be supervised during operation, nor secured afterwards by turning off the tap.
The tap only needs to be turned off if you are away from home for a long period, e.g. for several weeks' holiday.

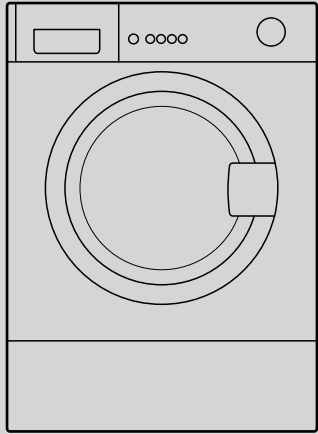
Manufacturer (see instruction manual)











Washing machine

Installation and assembly instructions

en

Contents

	<i>Page</i>
■ Safety instructions	1
■ Environmentally-friendly disposal	1
■ Installation surface	1
■ Scope of delivery.....	2
■ Appliance dimensions	3
■ Hose and cable lengths.....	3
■ Useful tools.....	3
■ Removing the transport safety devices	4
■ Water connection	5
■ Levelling	5
■ Electrical connection	6
■ Transportation, e.g. when moving house	6
■ Technical data	7
■ After-sales service	7
■ Aqua-Stop warranty.....	7
■ Assembly instructions	8-13
	Image sequence 1-19



Read these instructions before switching on the washing machine.

Also observe the separate Instruction manual.

Keep all the documents in a safe place for future reference, or to pass on to the next owner.