

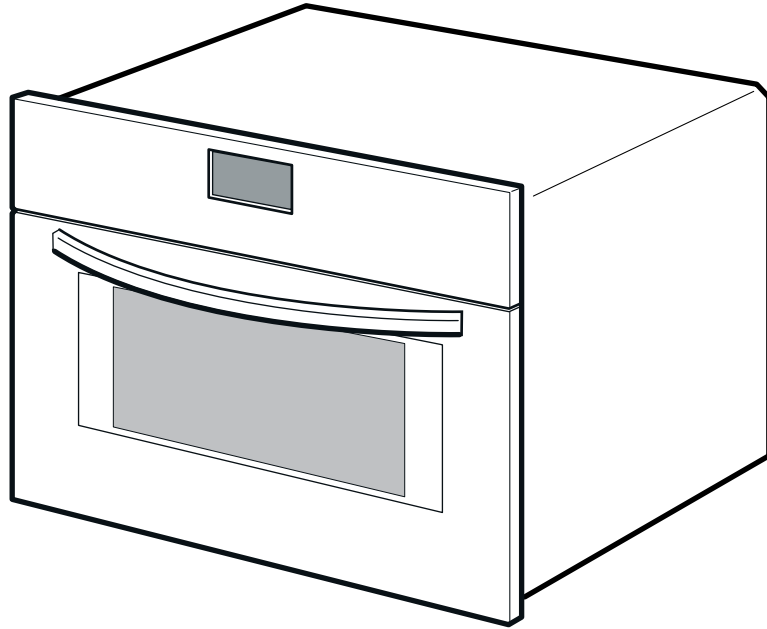


9001338673 990717

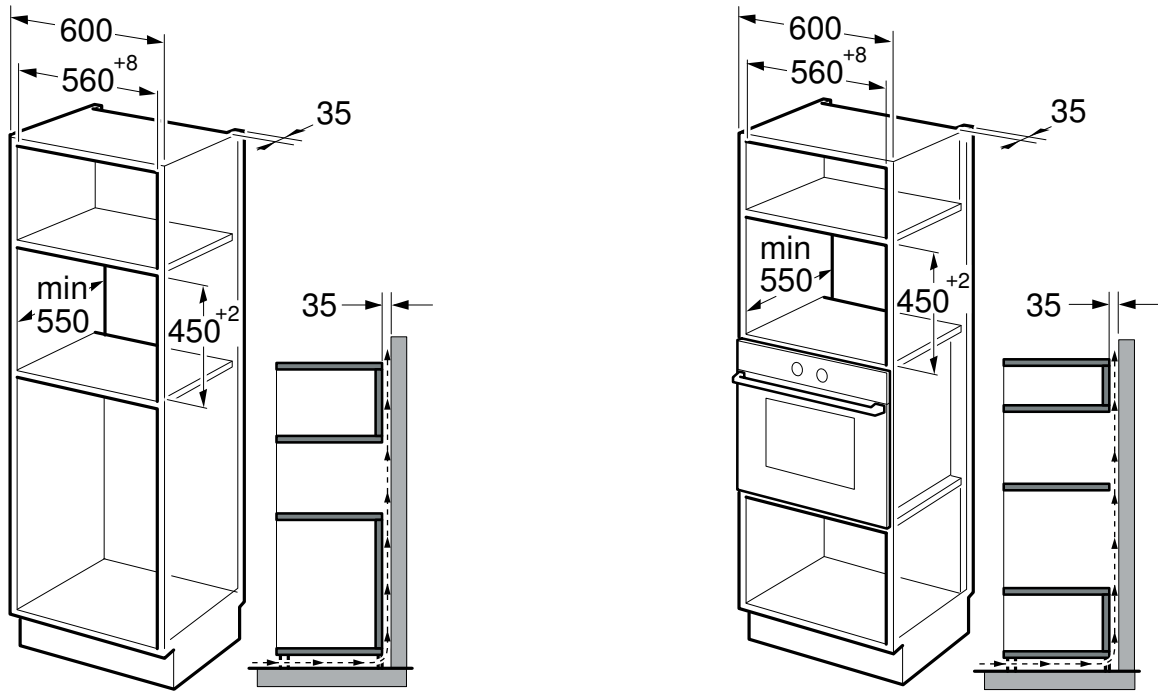
en Installation instructions

zh-hk 安裝說明

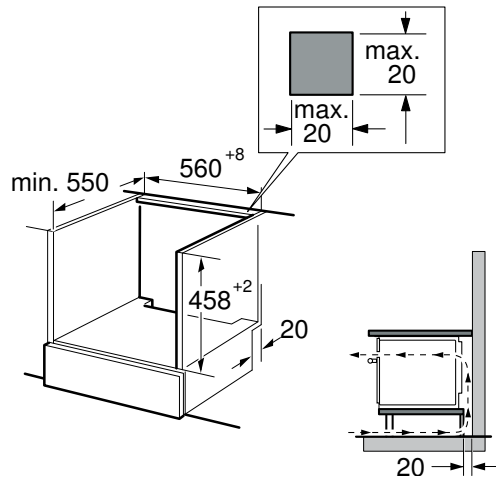
zh-tw 安裝說明



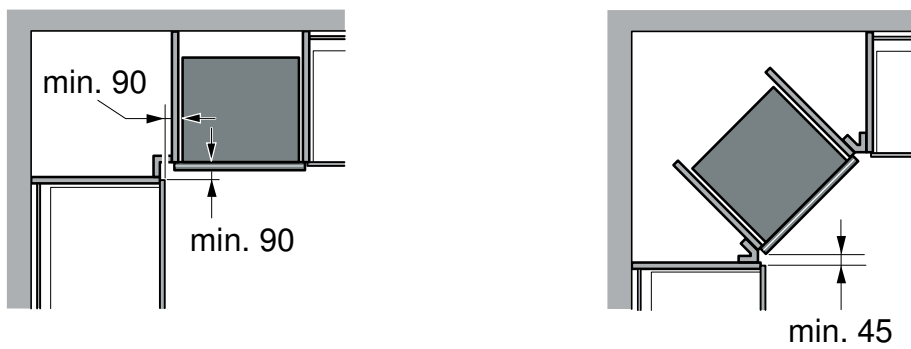
1



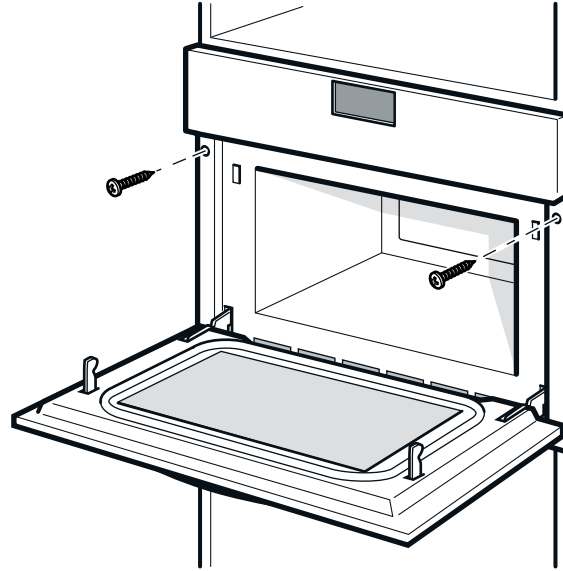
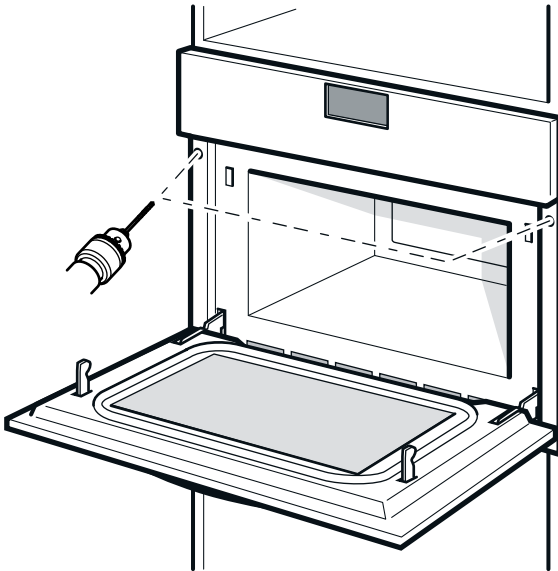
2



3



4



en

The following must be noted:

- The safe operation of this appliance can only be guaranteed if it has been installed to a professional standard in accordance with these installation instructions. The installer shall be liable for any damage resulting from incorrect installation.
- Check the appliance for damage after unpacking it. Do not connect the appliance if it has been damaged in transit.
- Proceed in accordance with the installation sheets for installing accessories.
- Before starting up the appliance, remove any packaging material and adhesive film from the cooking compartment and the door.
- Fitted units must be heat-resistant up to 90 °C, and adjacent unit fronts up to 65 °C.
- Do not install the appliance behind a decorative door or the door of a kitchen unit, as this may cause the appliance to overheat.
- Any cut-outs that need to be made in the units should be made before the appliance is installed. Remove any shavings, as they may prevent the electrical components from working properly.
- Wear protective gloves so that you do not cut yourself. Parts that are accessible during installation may have sharp edges.
- The dimensions in the figures are in mm.

Electrical connection

The appliance is ready to be plugged in and may only be connected to a protective contact socket that has been correctly installed. Only a qualified electrician may install a socket or replace the connecting cable, taking the appropriate regulations into account. If the plug is no longer accessible once the appliance has been installed, an all-pin isolating switch with a contact gap of at least 3 mm must be provided for the wiring. When the appliance is installed, protection must be provided against accidental contact in the future. Fuse protection: See instruction manual – Technical specifications.

Fitted units

This appliance is only intended to be fully fitted in a kitchen. This appliance is not designed to be used as a tabletop appliance or inside a cupboard.

The fitted cabinet must not have a back wall behind the appliance. A gap of at least 35 mm must be maintained between the wall and the base or back panel of the unit above.

The fitted cabinet must have a ventilation opening of 50 cm² on the front. To achieve this, cut back the base panel or fit a ventilation grille. Ventilation slots and intakes must not be covered. The safe operation of this appliance can only be guaranteed if it has been installed in accordance with these installation instructions. The fitter is liable for any damage resulting from incorrect installation. The units into which the appliance is fitted must be heat-resistant up to 90 °C, and adjacent unit fronts up to at least 65 °C.

Appliance in the upper cabinet – Fig. 1

Oven under the work surface – Fig. 2

There must be a ventilation cut-out made in the intermediate floor of the base unit.

If the appliance is being installed beneath a hob, observe the hob assembly instructions.

Corner installation – Fig. 3

The dimensions must be taken into consideration for corner installation.

Securing the appliance in place - Fig. 4

1. Fully insert the appliance and centre it.
Do not kink the connecting cable.
2. Screw the appliance into place.
The gap between the worktop and the appliance must not be closed by additional battens.

Removal

1. Disconnect the appliance from the power supply.
2. Undo the securing screws.
3. Raise the appliance slightly and pull it out completely.

必須注意下列事項：

- 只有依照安裝說明安裝並符合專業標準時，才可確保本電器安全運作。安裝人員需為因安裝不正確而產生的損壞負責。
- 打開包裝後，請檢查電器有否損壞。若電器在運送過程中受損，請勿連接電源。
- 請依照安裝文件進行配件的安裝。
- 啟動電器前，請先移除機身及機門的包裝材料和膠膜。
- 安裝本電器的櫥櫃必須耐熱達 90 °C，相鄰的櫥櫃必須耐熱達 65 °C。
- 請勿將機台安裝在飾門或 板式傢俱的後方。此安裝方式可能會導致過熱。
- 櫥櫃如需任何修整，都必須在安裝前完成。清除碎屑等施工殘料，否則可能會影響電器零件正常運作。
- 安裝時所接觸的零件可能有尖銳邊緣。請戴上防護手套避免割傷。
- 圖解的尺寸單位為毫米。

電源連接

此電器已配備插頭，而且只可以連接至妥善安裝的保護觸點插座。只有合資格的電器技術人員才可以安裝插座和更換連接線，而且必須遵守相關法規。若安裝電器後插頭位於無法觸及的地方，配線時必須使用接觸間隔至少3毫米的全針腳隔離開關。安裝電器後，必須採取保護措施，以避免將來意外地接觸電線。保險絲防護：請參閱說明手冊 – 技術規格。

安裝元件

焗爐必須完整地安裝於廚房中。焗爐不得做為桌上型設備或安裝至櫥櫃中。

廚櫃不得安裝於焗爐後方的背壁。焗爐底部或背板必須與牆壁間隔 35 毫米。

廚櫃前方必須保留 50 cm² 的通風口。可在底座板開口 或安裝通風護柵。不得遮蔽通風槽與通風口。此電器只在遵照說明安裝並符合標準時，方可確保電器安全運作。聘請安裝工人可免於不當安裝所帶來的危險。安裝於焗爐的零件必須耐熱 90 °C，鄰近零件需耐熱 65 °C。

將焗爐安裝在上方廚櫃 – 圖. 1

將焗爐安裝在工作檯下 – 圖. 2

必須在焗爐底部的中間隔板切出一個通風口。

若將此焗爐安裝在爐架底下，請參閱爐架的組裝說明。

角落處安裝 – 圖. 3

安裝到角落位時，必須考慮尺寸。

固定焗爐 - 圖. 4

1. 安裝完整焗爐並置中。

請勿扭曲電源接線。

2. 固定焗爐螺絲。

工作檯與焗爐之間的空隙不得塞入多餘木條。

拆除

1. 中斷焗爐的電源供應。

2. 鬆開固定螺絲。

3. 輕輕抬高焗爐，再完全拉出

必須注意下列事項：

- 本電器唯有在依照安裝說明安裝且符合專業標準時，方可確保操作安全。安裝人員需對因安裝不當所造成的損壞負責。
- 在開箱後請檢查電器是否有損壞。若電器在運送過程中已經受損，請勿連接電源。
- 請依照安裝說明進行配件的安裝。
- 啟動電器前，請先清除爐腔及機門的包裝材料和膠膜。
- 安裝本電器的櫥櫃耐熱度必須達到 90 °C，相鄰的櫥櫃耐熱度必須達到 65 °C。
- 請勿將電器安裝在裝飾門或櫥櫃門的後方，否則可能造成電器過熱。
- 櫥櫃如需任何施工修整，都必須在安裝電器前完成。清除碎屑等施工殘料，否則可能會影響電器元件正常運作。
- 安裝時所接觸的零件可能有尖銳邊緣。請戴上防護手套避免割傷。
- 圖解的尺寸單位為公釐。

電源連接

本電器配備有插頭，並且僅可連接至正確安裝之保護觸點插座。插座安裝與連接線更換僅可由合格技術人員進行，並必須遵守相關法規。若電器安裝後將無法操作插頭，則在配線時必須使用觸點間隔至少3公釐之全針腳隔離開關。電器安裝後，必須針對未來可能發生意外接觸的情況加以預防。保險絲防護：請參閱說明手冊 – 技術規格。

安裝零件

本產品僅可安裝於廚房使用。本電器設計並非作為桌上型設備或安裝於櫥櫃中使用。

安裝之廚櫃的電器後方不可有背板。牆壁與設備底部或上方之面板間必須至少距離35公釐。

安裝的櫥櫃在前方必須至少有50平方公分的通風口。為此，請將底板切掉或安裝一通風扇。請勿遮蔽通風槽與通風口。此電器必須依安裝說明進行安裝方可確保其安全運作。安裝人員必須對安裝不當所造成的損壞負責。本電器所安裝之零件必須耐熱達90 °C，且相鄰的零件必須能承受至少65 °C。

電器位於方櫥櫃中 – 圖1

烤箱位於工作檯下 – 圖2

必須在底部零件的隔板中切出一個通風口。

若將本電器安裝在爐具底下，請參閱爐具的組裝說明。

角落處安裝 - 圖3

安裝在角落位時，必須考慮尺寸。

將電器固定 - 圖4

1. 將電器完全嵌入並置中。

請勿扭曲連接線。

2. 將電器固定。

工作檯與電器間的空隙不可使用邊條加以密封。

拆卸

1. 拔掉電器電源。

2. 鬆開固定螺絲。

3. 將電器稍微抬高後將其完全拉出。