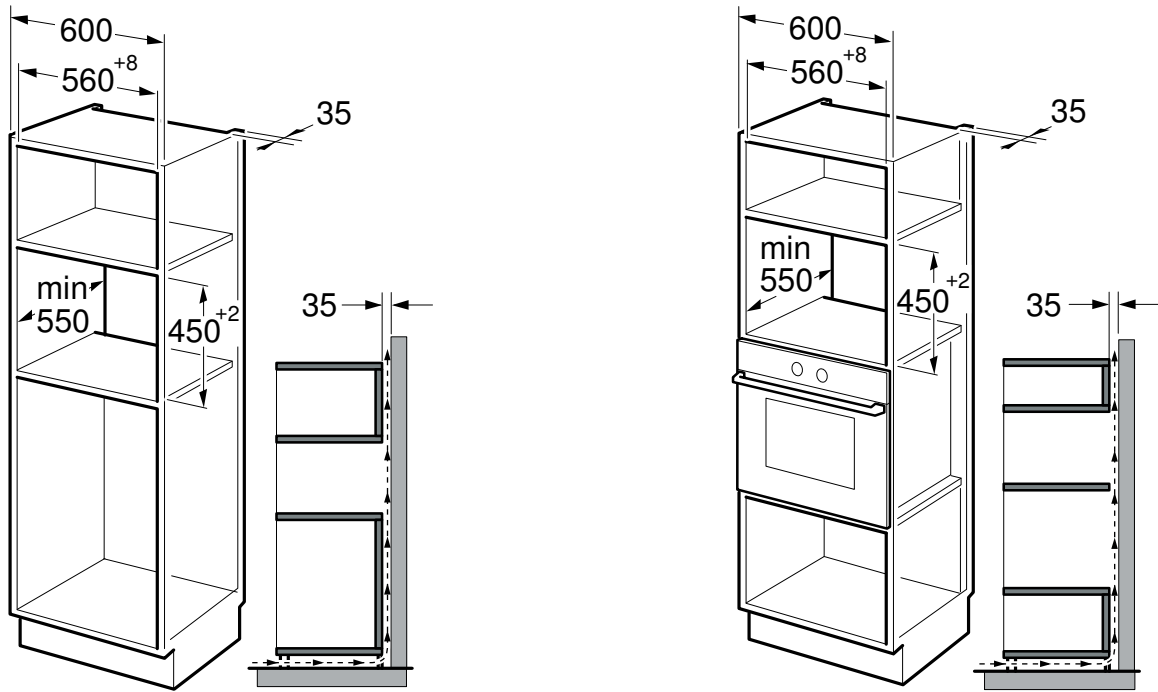
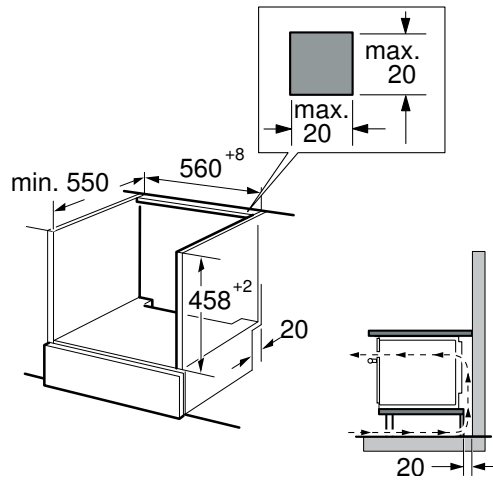


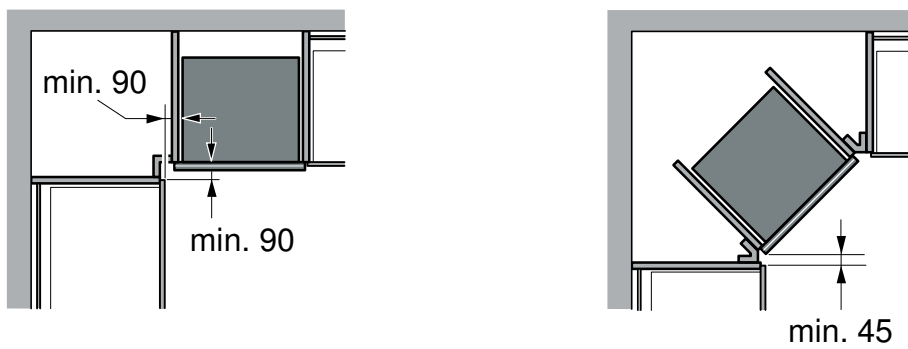
1



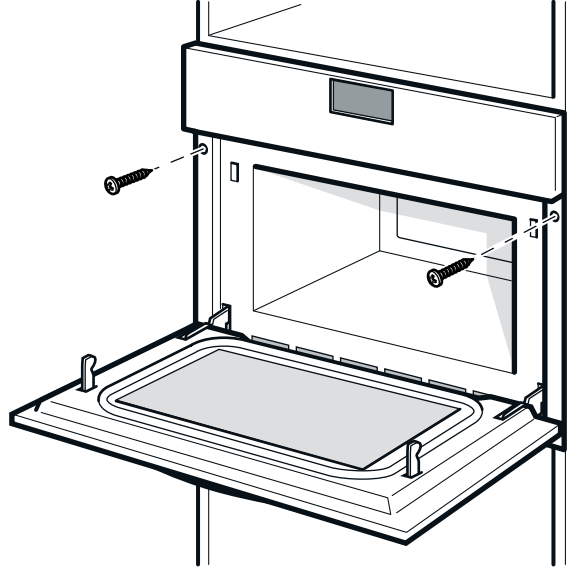
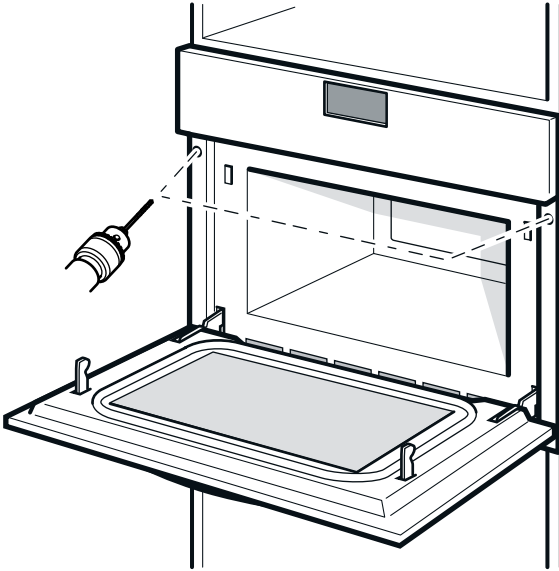
2



3



4



The following must be noted:

- The safe operation of this appliance can only be guaranteed if it has been installed to a professional standard in accordance with these installation instructions. The installer shall be liable for any damage resulting from incorrect installation.
- Check the appliance for damage after unpacking it. Do not connect the appliance if it has been damaged in transit.
- Proceed in accordance with the installation sheets for installing accessories.
- Before starting up the appliance, remove any packaging material and adhesive film from the cooking compartment and the door.
- Fitted units must be heat-resistant up to 90 °C, and adjacent unit fronts up to 65 °C.
- Do not install the appliance behind a decorative door or the door of a kitchen unit, as this may cause the appliance to overheat.
- Any cut-outs that need to be made in the units should be made before the appliance is installed. Remove any shavings, as they may prevent the electrical components from working properly.
- Wear protective gloves so that you do not cut yourself. Parts that are accessible during installation may have sharp edges.
- The dimensions in the figures are in mm.

Electrical connection

The appliance is ready to be plugged in and may only be connected to a protective contact socket that has been correctly installed. Only a qualified electrician may install a socket or replace the connecting cable, taking the appropriate regulations into account. If the plug is no longer accessible once the appliance has been installed, an all-pin isolating switch with a contact gap of at least 3 mm must be provided for the wiring. When the appliance is installed, protection must be provided against accidental contact in the future. Fuse protection: See instruction manual – Technical specifications.

Fitted units

This appliance is only intended to be fully fitted in a kitchen. This appliance is not designed to be used as a tabletop appliance or inside a cupboard.

The fitted cabinet must not have a back wall behind the appliance. A gap of at least 35 mm must be maintained between the wall and the base or back panel of the unit above.

The fitted cabinet must have a ventilation opening of 50 cm² on the front. To achieve this, cut back the base panel or fit a ventilation grille. Ventilation slots and intakes must not be covered. The safe operation of this appliance can only be guaranteed if it has been installed in accordance with these installation instructions. The fitter is liable for any damage resulting from incorrect installation. The units into which the appliance is fitted must be heat-resistant up to 90 °C, and adjacent unit fronts up to at least 65 °C.

Appliance in the upper cabinet – Fig. 1

Oven under the work surface – Fig. 2

There must be a ventilation cut-out made in the intermediate floor of the base unit.

If the appliance is being installed beneath a hob, observe the hob assembly instructions.

Corner installation – Fig. 3

The dimensions must be taken into consideration for corner installation.

Securing the appliance in place - Fig. 4

1. Fully insert the appliance and centre it.
Do not kink the connecting cable.
2. Screw the appliance into place.
The gap between the worktop and the appliance must not be closed by additional battens.

Removal

1. Disconnect the appliance from the power supply.
2. Undo the securing screws.
3. Raise the appliance slightly and pull it out completely.

必须注意下列事项:

- 只有根据本安装说明的专业标准进行安装,才能确保本电器安全工作。由于安装不当导致的损坏,应由安装人员承担责任。
- 拆包后请检查电器是否有损坏。如果电器在运输过程中损坏,请勿连接。
- 请按照安装文件进行配件安装。
- 开始启动电器前,请先取出烹饪箱中和电器门上的包装材料和胶膜。
- 所安装的橱柜必须能够承受高达 90 °C 的温度,相邻橱柜的面板能够承受高达 65 °C 的温度。
- 不得将设备安装在装饰门或家具门后面。过热时存在危险。
- 任何需要在橱柜上开的开孔应在安装电器备好。清除刨花,因为刨花可能会妨碍电气部件正常工作。
- 请戴上防护手套,避免割伤自己。在安装过程中碰得到的部件可能具有锋利的边缘。
- 示意图中的尺寸单位为 mm。

电气连接

电器为即插即用式,只能连接至安装正确的带保护触点的插座。只能由合格的电工安装插座或更换电源线,并要遵守适用的规定。安装电器后,如果插头使用不便,则必须在安装侧安装一个全电极隔离开关,触点间隙至少为 3 mm。进行电器安装时,必须提供防止日后出现意外接触的保护措施。保险丝保护:见说明书-技术规格。

安装橱柜

本电器仅适合整体安装在厨房内。本电器不可放在台面上或橱柜内使用。

安装电器的橱柜不得在电器后方有背板。墙壁和上方橱柜的底板或后壁之间必须保持至少 35 mm 的间距。

安装电器的橱柜前部必须有一个 50 cm²的通风口。为此,切割底板后部或安装通风格栅。不得遮盖通风槽和进气口。只有按照下列操作说明进行安装才能保证电器安全工作。由于安装不当导致的损坏应由安装人员承担责任。安装电器的橱柜必须能够承受高达 90 °C 的温度,相邻橱柜的面板必须能够承受高达 65 °C 的温度。

电器安装在吊橱中 - 图 1

烤箱位于工作表面下方 - 图 2

必须在底部橱柜中间底板上加工通风口。

如果将电器安装在电磁灶下面,要遵守电磁灶装配说明。

转角处的安装 - 图 3

在转角处安装时必须仔细考虑尺寸。

将电器固定到位 - 图 4

1. 完全插入电器并使其居中放置。
不要弯曲打结连接的电线。
2. 将电器螺丝拧到位。
切勿使用附加木条将工作台和电器之间的间隙封闭起来。

拆卸

1. 断开电器电源。
2. 拧开固定螺钉。
3. 稍微抬高电器并将其完全拉出。