



Extractor hood

[en] User manual

**D64XAF8N0, D64XAF8N0B,
D94XAF8N0, D94XAF8N0B**

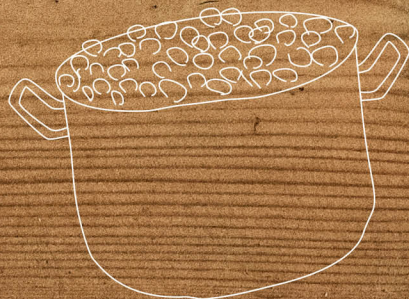


Table of contents

| | | | |
|---|-----------|----------------------------------|--|
| Safety | 3 | | |
| General information | 3 | | |
| Intended use..... | 3 | | |
| Restriction on user group..... | 4 | | |
| Safe use | 4 | | |
| Preventing material damage | 8 | | |
| General..... | 8 | | |
| Environmental protection and saving energy | 8 | | |
| Disposing of packaging | 8 | | |
| Saving energy..... | 8 | | |
| Familiarising yourself with your appliance | 10 | | |
| Appliance | 10 | | |
| Controls..... | 11 | | |
| Accessories | 11 | | |
| Basic operation | 11 | | |
| Switching on the appliance | 11 | | |
| Selecting a fan setting | 12 | | |
| Switching off the appliance | 12 | | |
| Switching on the lighting..... | 12 | | |
| Switching off the lighting..... | 12 | | |
| Cleaning and servicing | 12 | | |
| Cleaning products | 12 | | |
| Cleaning the stainless steel surfaces | 12 | | |
| Cleaning painted surfaces | 12 | | |
| Cleaning aluminium | 12 | | |
| Cleaning plastic..... | 13 | | |
| Cleaning glass..... | 13 | | |
| Cleaning controls..... | 13 | | |
| Removing the grease filter | 13 | | |
| Cleaning grease filters manually | 13 | | |
| Cleaning grease filters in the dishwasher..... | 14 | | |
| Fitting grease filters..... | 14 | | |
| Odour filter for recirculating air mode..... | 14 | | |
| | | | Odour filter for the CleanAir recirculation module |
| | | | 15 |
| | | Troubleshooting | 16 |
| | | Malfunctions | 16 |
| | | Disposal | 17 |
| | | Disposing of old appliance | 17 |
| | | Customer Service | 17 |
| | | E number and FD number | 17 |



Safety

Please read the safety information to ensure that you use the appliance safely.

General information

Here you can find general information about this information product.

- Read this manual carefully. Only then can you operate the appliance safely and efficiently.
- This manual is intended for the user of the appliance.
- Observe the safety instructions and warnings.
- Keep the instruction manual and the product information safe for future reference or for the next owner.
- Check the appliance for damage after unpacking it. Do not connect the appliance if it has been damaged in transit.

Intended use

Please read the information on intended use to ensure you use the appliance correctly and safely.

This appliance is designed only to be built into kitchen units. Read the special installation instructions.

Only a licensed professional may connect appliances without plugs. Damage caused by incorrect connection is not covered under the warranty.

Only use this appliance:

- As specified in this instruction manual.
- For extracting cooking vapour.
- In private households and in enclosed spaces in a domestic environment.
- Up to an altitude of max. 4000 m above sea level.

Restriction on user group

Avoid risks to children and vulnerable persons.

This appliance may be used by children aged 8 or over and by people who have reduced physical, sensory or mental abilities or inadequate experience and/or knowledge, provided that they are supervised or have been instructed on how to use the appliance safely and have understood the resulting dangers.

Do not let children play with the appliance.

Children must not perform cleaning or user maintenance unless they are at least 15 years old and are being supervised.

Keep children under the age of 8 years away from the appliance and power cable.

Safe use

Follow these safety instructions when using the appliance.

WARNING – Risk of suffocation!

Children may put packaging material over their heads or wrap themselves up in it and suffocate.

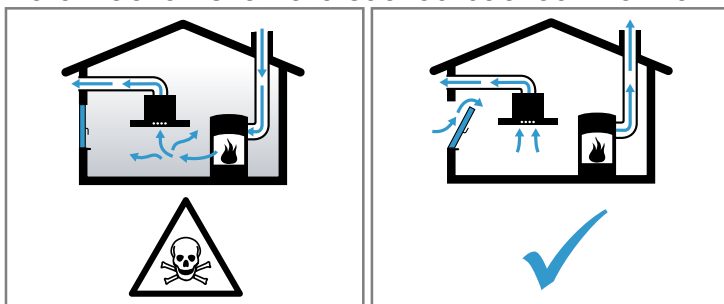
- ▶ Keep packaging material away from children.
- ▶ Do not let children play with packaging material.

WARNING – Risk of poisoning!

Risk of poisoning from flue gases being drawn back in. Room air-dependent heat-producing appliances (e.g. gas, oil, wood or coal-operated heaters, continuous flow heaters or water heaters) obtain combustion air from the room in which they are installed and discharge the exhaust gases into the open through an exhaust gas system (e.g. a chimney). With the extractor hood switched on, air is extracted from the kitchen and the adjacent rooms. Without an adequate supply of air, the air

pressure falls below atmospheric pressure. Toxic gases from the flue or the extraction shaft are sucked backed into the liv-

ing space.



- ▶ Always ensure adequate fresh air in the room if the appliance is being operated in exhaust air mode at the same time as room air-dependent heat-producing appliance is being operated.
- ▶ It is only possible to safely operate the appliance if the pressure in the room in which the heating appliance is installed does not drop more than 4 Pa (0.04 mbar) below atmospheric pressure. This can be achieved whenever the air needed for combustion is able to enter through openings that cannot be sealed, for example in doors, windows, incoming/exhaust air wall boxes or by other technical means. An incoming/exhaust air wall box alone will not ensure compliance with the limit.
- ▶ In any case, consult your responsible chimney sweep. He is able to assess the house's entire ventilation setup and will suggest the suitable ventilation measures to you.
- ▶ Unrestricted operation is possible if the appliance is operated exclusively in air recirculation mode.

WARNING – Risk of fire!


- Fatty deposits in the grease filters may catch fire.
 - ▶ Clean the grease filters roughly every 2 months.
 - ▶ Never work with naked flames close to the appliance (e.g. flambéing).

- ▶ Do not install the appliance near a solid fuel heating appliance (e.g. wood- or coal-burning) unless the heating appliance has a sealed, non-removable cover. There must be no flying sparks.
- Hot oil or grease ignites very quickly.
 - ▶ Always supervise hot oil and fat.
 - ▶ Never extinguish burning oil or fat with water. Switch off the cooking zone. Extinguish flames carefully using a lid, fire blanket or something similar.
- When gas burners are in operation without any cookware placed on them, they can build up a lot of heat. A ventilation appliance installed above the cooker may become damaged or catch fire.
 - ▶ Only operate the gas burners with cookware on them.
- Gas burners can build up a lot of heat while operating. A ventilation appliance installed above the cooker may become damaged or catch fire.
 - ▶ Only operate the gas burners with cookware on them.
 - ▶ Never operate two gas hotplates simultaneously on the highest flame for longer than 15 minutes.
 - ▶ Never operate large burners of more than 5 kW with the highest flame for longer than 15 minutes, e.g. a wok.

 WARNING – Risk of burns!

The accessible parts of the appliance become hot during operation.

- ▶ Never touch these hot parts.
- ▶ Keep children at a safe distance.

 WARNING – Risk of injury!

- Components inside the appliance may have sharp edges.
 - ▶ Carefully clean the appliance interior.
- Items placed on the appliance may fall off.
 - ▶ Do not place any objects on the appliance.

- The light emitted by LED lights is very dazzling, and can damage the eyes (risk group 1).
 - ▶ Do not look directly into the switched-on LED lights for longer than 100 seconds.
- Children may swallow batteries.
 - ▶ Keep batteries out of the reach of children.
 - ▶ Keep an eye on any children when you are replacing batteries.

 WARNING – Risk of electric shock!

- A damaged appliance or a damaged power cord can be dangerous.
 - ▶ Never operate a damaged appliance.
 - ▶ Never operate an appliance with a cracked or fractured surface.
 - ▶ Call our customer service.
 - ▶ Repairs on the appliance must be carried out solely by trained, specialist personnel.
- Improper repairs can be dangerous.
 - ▶ Repairs on the appliance must be carried out solely by trained, specialist personnel.
 - ▶ If the power cord of this appliance is damaged, it must be replaced by trained specialist staff.
- Penetrating moisture may cause electric shock.
 - ▶ Do not use steam- or high-pressure cleaners to clean the appliance.

Preventing material damage

Follow these instructions to prevent material damage to your appliance, accessories or other objects in your kitchen.

General

Follow these instructions when using the appliance.

ATTENTION!

- Condensate may cause corrosion damage.
 - ▶ To prevent condensation from building up, switch on the appliance during cooking.
- If moisture gets into the controls, this may result in damage.
 - ▶ Never clean controls with a wet cloth.
- Incorrect cleaning damages the surfaces.
 - ▶ Follow the cleaning instructions.
 - ▶ Do not use harsh or abrasive detergents.
 - ▶ Clean stainless steel surfaces in the direction of the finish only.
 - ▶ Never clean controls with stainless steel cleaners.
- Condensation that flows back in may damage the appliance.
 - ▶ The air extraction duct must be installed with a gradient of at least 1° from the appliance.
- If you put incorrect stress on the design elements, they may break off.
 - ▶ Do not pull design elements.
 - ▶ Do not place objects on the design elements or hang objects from them.

Environmental protection and saving energy

Help protect the environment by using your appliance in a way that conserves resources and by disposing of reusable materials properly.

Disposing of packaging

The packaging materials are environmentally compatible and can be recycled.

- ▶ Sort the individual components by type and dispose of them separately. Information about current disposal methods are available from your specialist dealer or local authority.

Saving energy

If you follow these instructions, your appliance will use less power.

Ensure that there is sufficient ventilation when cooking.

- + The appliance works more efficiently and with fewer operating noises.

Adjust the fan speed to the amount of steam produced during cooking.

- + The lower the fan speed, the less energy is consumed.

If cooking produces large amounts of steam, select a higher fan speed in good time.

- + The odours are distributed around the room less.

Switch the appliance off when you are not using it.

- + The appliance does not consume any energy.

Switch off the lighting if you no longer require it.

- + The lighting does not consume any energy.

Clean or replace the filters at regular intervals.

- + The effectiveness of the appliance is increased.

Put the cooking lid on.

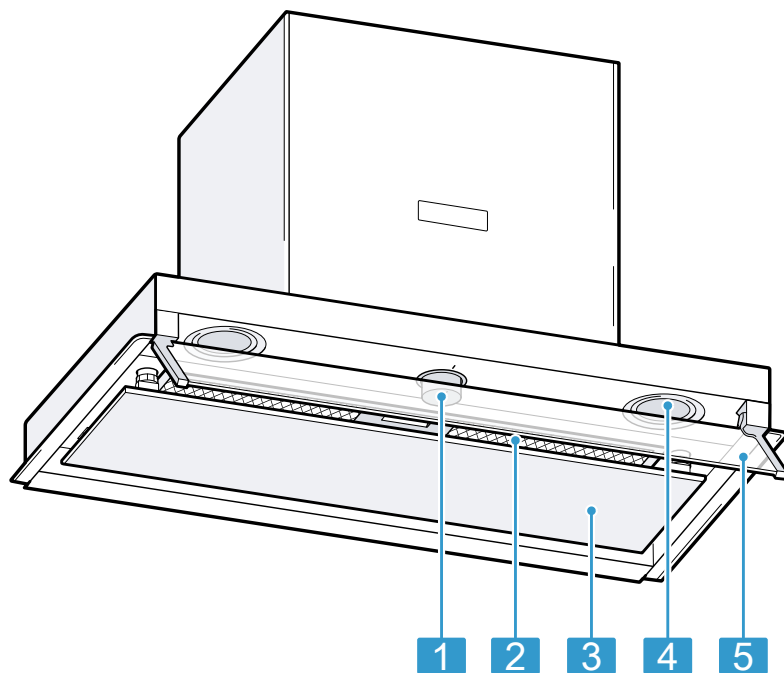
- + The cooking vapours and condensation are reduced.

Familiarising yourself with your appliance

Familiarise yourself with the parts of your appliance.

Appliance

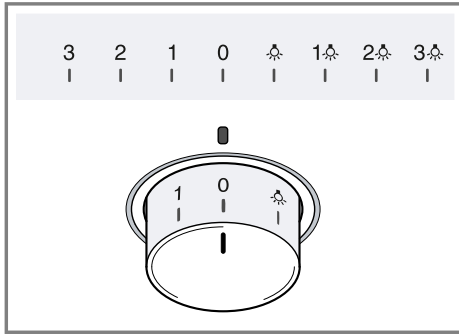
You can find an overview of the parts of your appliance here.



- | | |
|---|-----------------------|
| 1 | Controls |
| 2 | Grease filter |
| 3 | Filter cover |
| 4 | Lighting |
| 5 | Pivoting glass screen |

Controls

The controls are used to configure all functions of your appliance and to obtain information about the operating status.



| | |
|----|---|
| 0 | Switches off the fan and lighting. |
| 1 | Switches fan setting 1 on. |
| 2 | Switches fan setting 2 on. |
| 3 | Switches fan setting 3 on. |
| ☀ | Switches on the lighting. |
| 1☀ | Switches on fan setting 1 and the lighting. |
| 2☀ | Switches on fan setting 2 and the lighting. |
| 3☀ | Switches on fan setting 3 and the lighting. |

Control knob

The control knob is retractable. You can push the control knob to engage and disengage it.

Accessories

You can buy accessories from the after-sales service, from specialist retailers or online. Only use original accessories, as these have been specifically designed for your appliance.

Accessories vary from one appliance to another. When purchasing accessories, always quote the exact product number (E no.) of your appliance. → *Page 17*

You can find out which accessories are available for your appliance in our catalogue, in the online shop or from our after-sales service.

www.neff-international.com

| Accessories | Order number |
|--|--------------|
| Odour filter | Z511MA0X0 |
| Starter set for air recirculation mode | Z511BU0X0 |
| Odour filter for the CleanAir recirculation module | Z54TR00X0 |
| Odour filter for the CleanAir recirculation module, can be regenerated | Z511TP0X0 |
| CleanAir recirculation module | Z54TR60X3 |
| Short chimney extension | Z511BG0N0 |
| Long chimney extension | Z511BN0N0 |

Basic operation

You can find out everything you need to know about operating your appliance here.

Switching on the appliance

- ▶ Set the control knob to 1.
- ✓ The appliance starts at fan setting 1.





Selecting a fan setting

- ▶ Set the control knob to any fan setting.

Switching off the appliance

- ▶ Set the control knob to 0.

Switching on the lighting

1. Set the control knob to .
2. To use the lighting at the same time as a fan setting, set the control knob to 1, 2 or 3.

Switching off the lighting

- ▶ Set the control knob to 0.

Cleaning and servicing

To keep your appliance looking its best and working efficiently for a long time, it is important to clean and maintain it carefully.

Cleaning products

You can obtain suitable cleaning products from after-sales service or the online shop.

WARNING

Risk of electric shock!

Penetrating moisture may cause electric shock.

- ▶ Do not use steam- or high-pressure cleaners to clean the appliance.

ATTENTION!

Unsuitable cleaning products may damage the surfaces of the appliance.

- ▶ Do not use harsh or abrasive detergents.
- ▶ Do not use cleaning products with a high alcohol content.

- ▶ Do not use hard scouring pads or cleaning sponges.
- ▶ Do not use any special cleaners for cleaning the appliance while it is hot.
- ▶ Do not use limescale remover on the door handle or control panel, as it may leave permanent staining.
- ▶ Only use glass cleaners, glass scrapers or stainless steel care products if recommended in the cleaning instructions for the relevant part.
- ▶ Wash sponge cloths thoroughly before use.

Cleaning the stainless steel surfaces

1. Observe the information regarding the cleaning agents.
→ "Cleaning products", Page 12
2. Clean using a sponge cloth and hot soapy water in the direction of the finish.
3. Dry with a soft cloth.
4. Apply a thin layer of the stainless steel cleaning product with a soft cloth.

Tip: You can obtain stainless steel cleaning products from after-sales service or the online shop.

Cleaning painted surfaces

1. Observe the information regarding the cleaning agents.
→ "Cleaning products", Page 12
2. Clean using a sponge cloth and hot soapy water in the direction of the finish.
3. Dry with a soft cloth.

Cleaning aluminium

1. Observe the information regarding the cleaning agents.
→ "Cleaning products", Page 12

2. Clean with a soft cloth and glass cleaner.

Cleaning plastic

1. Observe the information regarding the cleaning agents.
→ "Cleaning products", Page 12
2. Clean with a soft cloth and glass cleaner.

Cleaning glass

1. Observe the information regarding the cleaning agents.
→ "Cleaning products", Page 12
2. Clean with a soft cloth and glass cleaner.

Cleaning controls

WARNING

Risk of electric shock!

Penetrating moisture may cause an electric shock.

- ▶ Do not use wet sponge cloths.

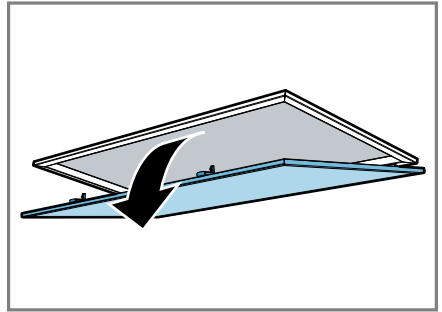
1. Observe the information regarding the cleaning agents.
→ "Cleaning products", Page 12
2. Clean using a damp sponge cloth and hot soapy water.
3. Dry with a soft cloth.

Removing the grease filter

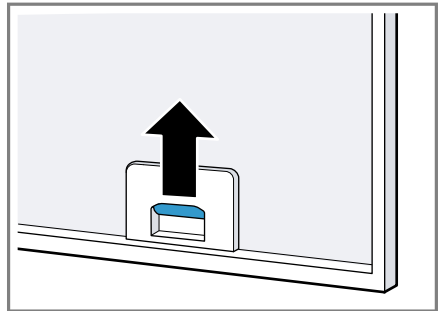
ATTENTION!

Falling grease filters may damage the hob below.

- ▶ Grip below the grease filter with one hand.
1. Open the filter cover by pulling it downwards.



2. Open the locks in the grease filters.



3. Remove the grease filters from the holders.

To prevent grease from dripping, hold the grease filter horizontally.

Cleaning grease filters manually

The grease filters filter the grease from the cooking vapour. Regularly cleaned grease filters guarantee a high level of grease removal.

WARNING

Risk of fire!

Fatty deposits in the grease filters may catch fire.

- ▶ Clean the grease filters roughly every 2 months.

Requirement: The grease filters have been removed.

→ "Removing the grease filter",
Page 13

en Cleaning and servicing

1. Observe the information regarding the cleaning agents.
→ "Cleaning products", Page 12
2. Soak the grease filter in hot soapy water.
Use special grease solvent for stubborn dirt. You can obtain grease solvents from after-sales service or the online shop.
3. Use a brush to clean the grease filters.
4. Rinse the grease filters thoroughly.
5. Allow the grease filters to drain.

Cleaning grease filters in the dishwasher

The grease filters filter the grease from the cooking vapour. Regularly cleaned grease filters guarantee a high level of grease removal.

WARNING **Risk of fire!**

Fatty deposits in the grease filters may catch fire.

- ▶ Clean the grease filters roughly every 2 months.

ATTENTION!

The grease filters may become damaged if they are squeezed.

- ▶ Do not squeeze the grease filters.

Note: When cleaning the grease filter in the dishwasher, light discolouration may occur. This discolouration has no effect on the performance of the metal grease filters.

Requirement: The grease filters have been removed.

→ "Removing the grease filter", Page 13

1. Observe the information regarding the cleaning agents.
→ "Cleaning products", Page 12

2. Place the grease filters loosely into the dishwasher.

Do not clean heavily soiled grease filters with utensils.

Use special grease solvent for stubborn dirt. You can obtain grease solvents from after-sales service or the online shop.

3. Start the dishwasher.

Select a temperature of no more than 70 °C.

4. Allow the grease filters to drain.

Fitting grease filters

ATTENTION!

Falling grease filters may damage the hob below.

- ▶ Grip below the grease filter with one hand.

1. Fit the grease filter.
2. Fold the grease filter upwards and engage the locks.
3. Make sure that the locks engage.
4. Fold the filter cover upwards to close it.

Odour filter for recirculating air mode

Odour filters bind odorous substances in air recirculation mode. Regularly replaced odour filters guarantee a high level of odour removal.

With normal use (approx. one hour a day), the odour filter must be replaced every 4 months. The odour filter cannot be cleaned or regenerated.

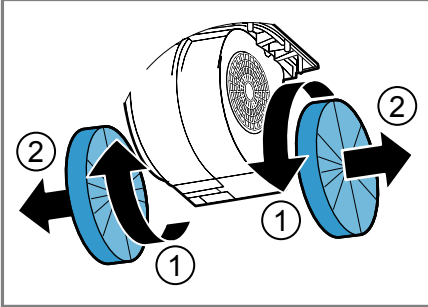
You can obtain odour filters from the after-sales service or the online shop. Only use original odour filters.

Removing odour filter

Requirement: The grease filters have been removed.

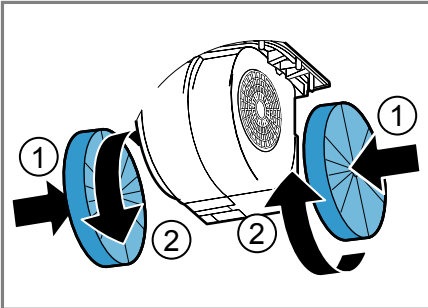
→ "Removing the grease filter",
Page 13

- ▶ Rotate the old odour filters and remove them from the holder.



Fitting odour filters

1. Push the new odour filters onto the holder and rotate.



2. Fit the grease filters.
→ "Fitting grease filters", Page 14

Odour filter for the CleanAir recirculation module

You can use your appliance with a CleanAir air recirculation module. The installation instructions enclosed describe how to replace the corresponding odour filter.

Troubleshooting

You can rectify minor faults on your appliance yourself. Read the troubleshooting information before contacting Customer Service. This will avoid unnecessary costs.

WARNING

Risk of injury!

Improper repairs are dangerous.

- ▶ Repairs to the appliance should only be carried out by trained specialist staff.
- ▶ If the appliance is defective, call Customer Service.

WARNING

Risk of electric shock!

Improper repairs can be dangerous.

- ▶ Repairs on the appliance must be carried out solely by trained, specialist personnel.
- ▶ If the power cord of this appliance is damaged, it must be replaced by trained specialist staff.

Malfunctions

| Errors | Cause | Troubleshooting |
|-------------------------------|---|---|
| The appliance is not working. | The mains plug of the power cord is not plugged in. | ▶ Connect the appliance to the power supply. |
| | The circuit breaker is faulty. | ▶ Check the circuit breaker in the fuse box. |
| | There has been a power cut. | ▶ Check whether the lighting in your kitchen or other appliances are working. |
| The lighting does not work. | Different causes are possible. | ▶ Call the after-sales service. → "Customer Service", Page 17 |

Disposal

Find out here how to dispose of old appliances correctly.

Disposing of old appliance

Valuable raw materials can be re-claimed by recycling.

- ▶ Dispose of the appliance in an environmentally friendly manner.



This appliance is labelled in accordance with European Directive 2012/19/EU concerning used electrical and electronic appliances (waste electrical and electronic equipment - WEEE). The guideline determines the framework for the return and recycling of used appliances as applicable throughout the EU.

Customer Service

If you have any queries on use, are unable to rectify faults on the appliance yourself or if your appliance needs to be repaired, contact Customer Service. You can solve many problems yourself by consulting the information on troubleshooting in these instructions or on our website. If this is not the case, contact our after-sales service.

We will always find an appropriate solution and try to avoid unnecessary visits being made by a Customer Service technician.

With any warranty claims, we will make sure that your appliance is repaired by after-sales customer service technicians using original spare parts, including after the manufacturer's warranty has expired.

Note: Under the manufacturer's warranty conditions, use of the after-sales service is free.

When contacting after-sales service, you will need the product number (E no.) and the production number (FD no.) of your appliance.

The contact details for Customer Service can be found in the enclosed Customer Service directory or on our website.

E number and FD number

The E number and the FD number can be found on the appliance's rating plate.

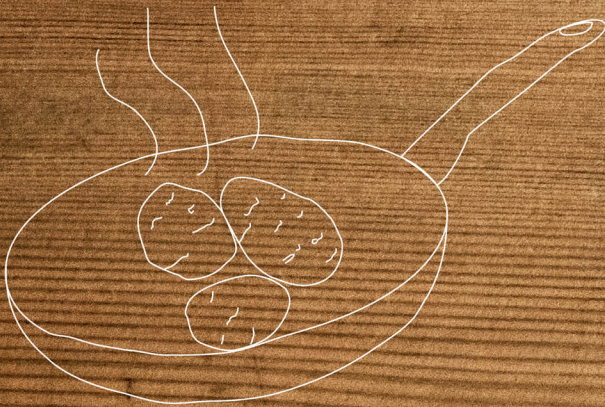
Depending on the model, the rating plate can be found:

- Inside the appliance (remove grease filters for access).
- On top of the appliance.

Make a note of your appliance's details and the Customer Service telephone number to find them again quickly.



A series of horizontal lines for writing, starting from the top right of the pencil icon and extending across the width of the page. The lines are evenly spaced and cover most of the page's height.



REGISTER YOUR PRODUCT
ONLINE NEFF-HOME.COM

Constructa-Neff Vertriebs-GmbH
Carl-Wery-Straße 34
81739 München
GERMANY
www.neff-international.com



9001433734
en
990705