



Fridge-freezer

Kühl- und Gefrierkombination

Réfrigérateur / Congélateur combiné

Combinazione frigorifero / congelatore

Koelvriescombinatie

[en] Information for Use

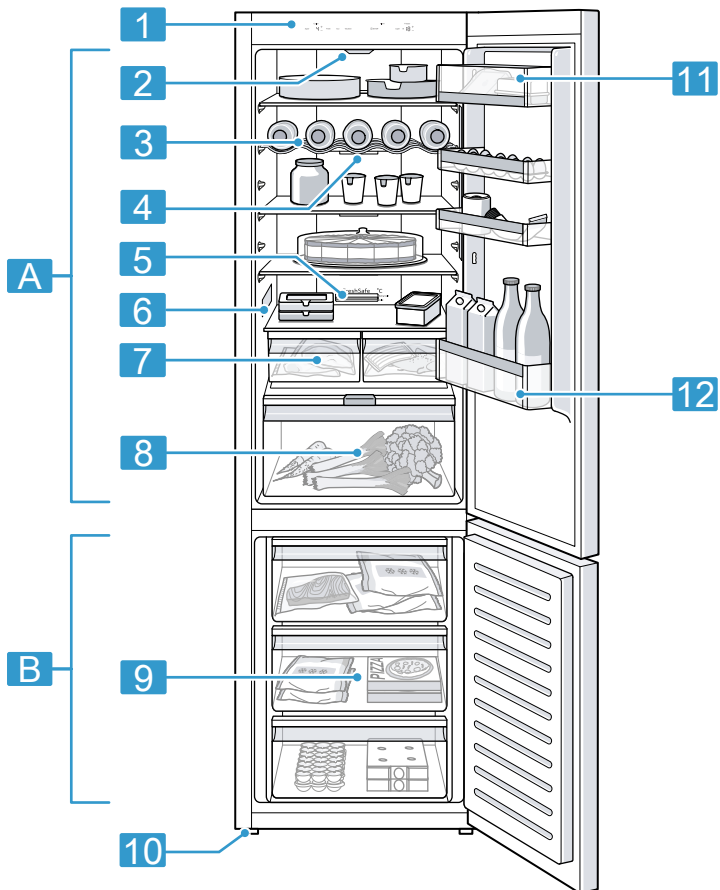
[de] Gebrauchsanleitung

[fr] Manuel d'utilisation

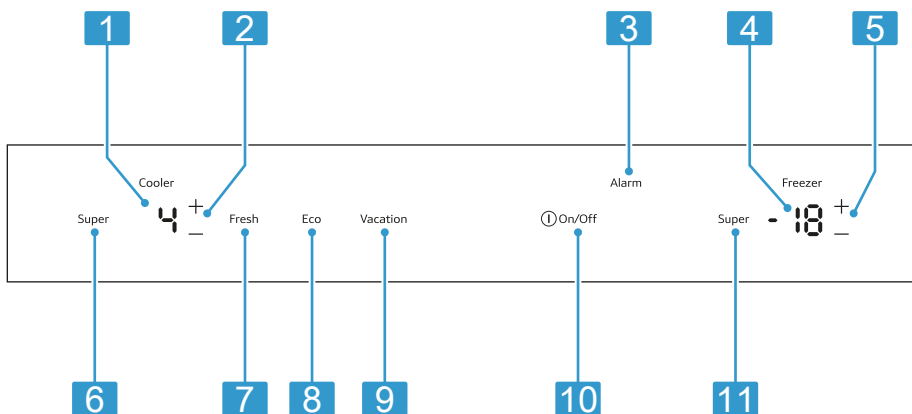
[it] Manuale utente

[nl] Gebruikershandleiding

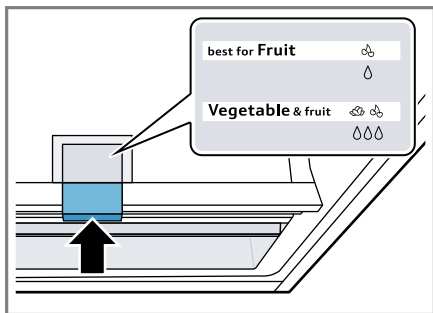
KG74..



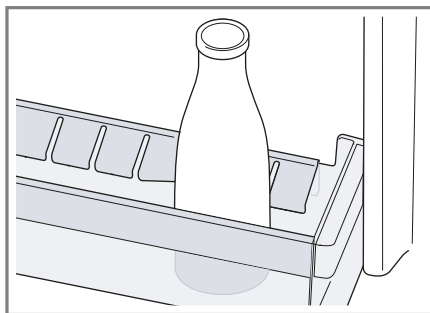
1



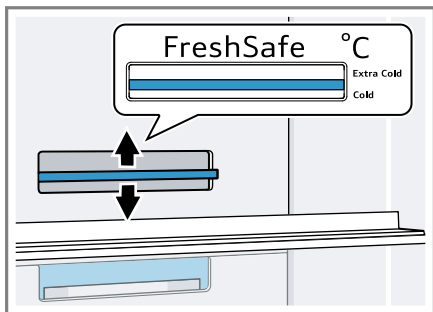
2



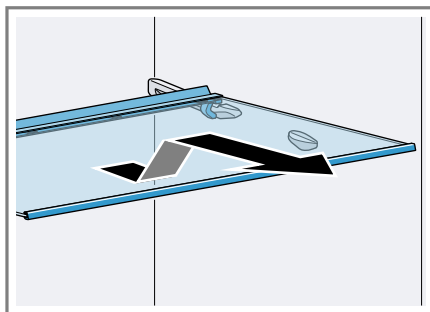
3



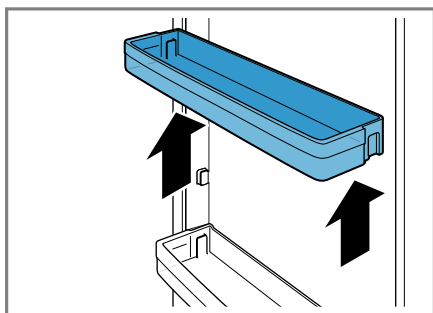
4



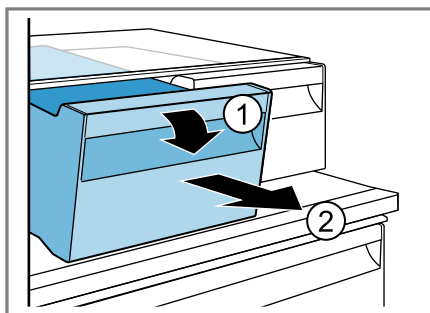
5



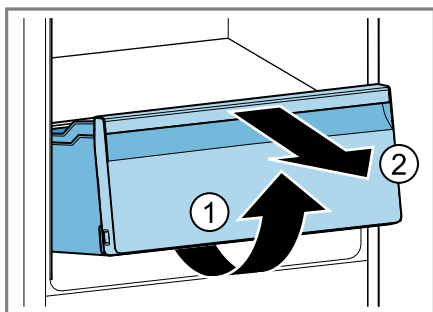
6



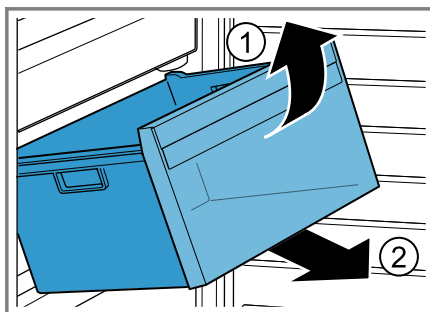
7



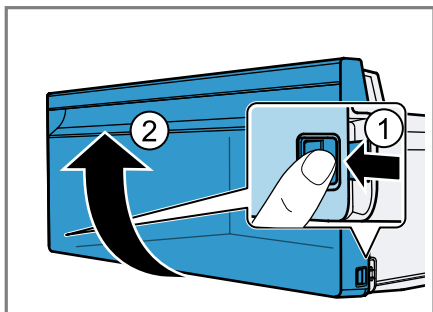
8



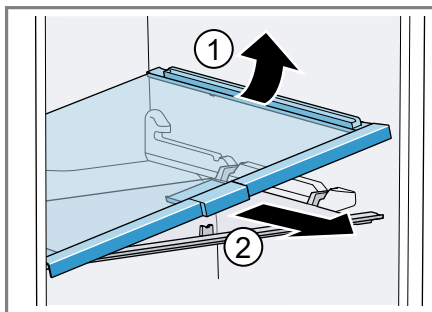
9



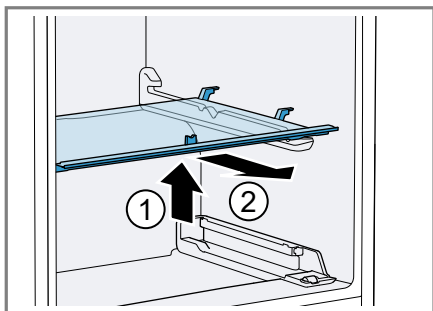
10



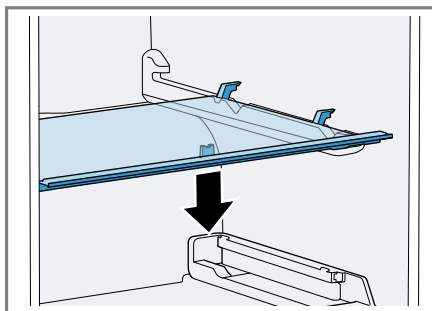
11



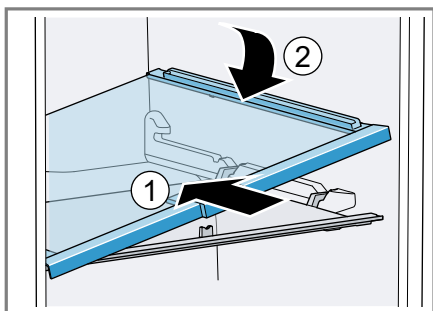
12



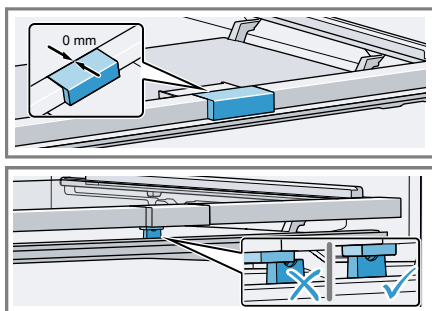
13



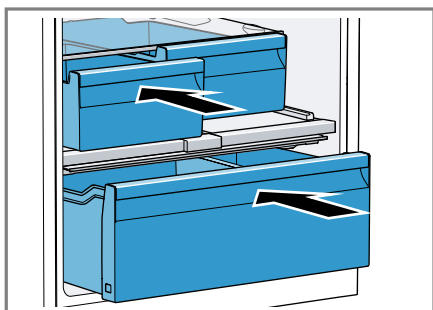
14



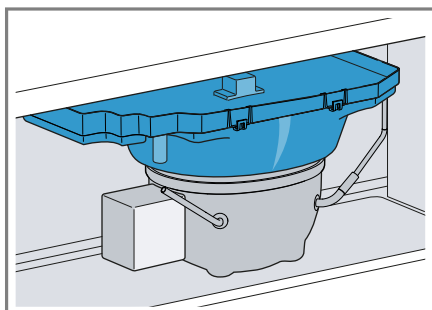
15



16



17



18

Futher information and explanations are available online:



Table of contents

1 Safety	7		
1.1 General information.....	7	6.5 Butter and cheese compart-	
1.2 Intended use.....	7	ment.....	17
1.3 Restriction on user group.....	7	6.6 Door rack.....	17
1.4 Safe transport.....	7	6.7 Accessories.....	17
1.5 Safe installation	8	7 Basic operation	17
1.6 Safe use	9	7.1 Switching on the appliance.....	17
1.7 Damaged appliance.....	11	7.2 Operating tips.....	18
2 Preventing material damage	13	7.3 Switching off the appliance.....	18
3 Environmental protection and		7.4 Setting the temperature.....	18
saving energy.....	13	8 Additional functions	18
3.1 Disposing of packaging	13	8.1 Super cooling	18
3.2 Saving energy.....	13	8.2 Automatic Super freezing.....	19
4 Installation and connection.....	14	8.3 Manual Super freezing	19
4.1 Scope of delivery.....	14	8.4 Holiday mode	19
4.2 Criteria for the installation		8.5 Energy-saving mode.....	20
location.....	14	8.6 Freshness mode.....	20
4.3 Installing the appliance	15	8.7 Sabbath mode.....	20
4.4 Preparing the appliance for		9 Alarm.....	20
the first time.....	15	9.1 Door alarm	20
4.5 Connecting the appliance to		9.2 Temperature alarm.....	21
the electricity supply.....	15	10 Refrigerator compartment.....	21
5 Familiarising yourself with		10.1 Tips for storing food in the	
your appliance.....	15	refrigerator compartment	21
5.1 Appliance	15	10.2 Chill zones in the refriger-	
5.2 Control panel.....	16	ator compartment.....	22
6 Features	16	11 Freezer compartment.....	22
6.1 Shelf.....	16	11.1 Freezing capacity	22
6.2 Bottle shelf.....	16	11.2 Fully utilising the freezer	
6.3 Storage container.....	16	compartment volume	22
6.4 Fruit and vegetable con-		11.3 Tips for storing food in the	
tainer with humidity control	16	freezer compartment.....	22
		11.4 Tips for freezing fresh food ...	23

11.5 Shelf life of frozen food at -18 °C.....	23
11.6 Defrosting methods for frozen food	23
12 Defrosting.....	24
12.1 Defrosting in the refriger- ator compartment.....	24
12.2 Defrosting in the freezer compartment	24
13 Cleaning and servicing	24
13.1 Preparing the appliance for cleaning	24
13.2 Cleaning the appliance	24
13.3 Removing the fittings.....	25
13.4 Removing appliance com- ponents.....	25
14 Troubleshooting.....	27
14.1 Power failure.....	30
14.2 Conducting an appliance self-test	30
15 Storage and disposal	30
15.1 Taking the appliance out of operation	30
15.2 Disposing of old appliance ...	31
16 Customer Service.....	31
16.1 Product number (E-Nr.) and production number (FD).....	31
17 Technical data	32



1 Safety

Observe the following safety instructions.

1.1 General information

- Read this instruction manual carefully.
- Keep the instruction manual and the product information safe for future reference or for the next owner.
- Do not connect the appliance if it has been damaged in transit.

1.2 Intended use

Only use this appliance:

- for chilling and freezing food and for making ice cubes.
- In private households and in enclosed spaces in a domestic environment.
- Up to an altitude of 2000 m above sea level.

1.3 Restriction on user group

This appliance may be used by children aged 8 or over and by people who have reduced physical, sensory or mental abilities or inadequate experience and/or knowledge, provided that they are supervised or have been instructed on how to use the appliance safely and have understood the resulting dangers.

Do not let children play with the appliance.

Cleaning and user maintenance must not be performed by children unless they are being supervised.

Children above the age of three years old and younger than eight years old may load and unload the the fridge-freezer.

1.4 Safe transport

WARNING – Risk of injury!

The high weight of the appliance may result in injury when lifted.

- ▶ Do not lift the appliance on your own.

1.5 Safe installation

WARNING – Risk of electric shock!

Incorrect installation is dangerous.

- ▶ Connect and operate the appliance only in accordance with the specifications on the rating plate.
- ▶ Connect the appliance to a power supply with alternating current only via a properly installed socket with earthing.
- ▶ The protective conductor system of the domestic electrical installation must be properly installed.
- ▶ Never equip the appliance with an external switching device, e.g. a timer or remote control.
- ▶ When the appliance is installed, the mains plug of the power cord must be freely accessible. If free access is not possible, an isolating switch must be integrated into the permanent electrical installation according to the installation regulations.
- ▶ When installing the appliance, check that the power cable is not trapped or damaged.

If the insulation of the power cord is damaged, this is dangerous.

- ▶ Never let the power cord come into contact with heat sources.

WARNING – Risk of explosion!

If the appliance's ventilation openings are sealed, a leak in the refrigeration circuit may result in a flammable mixture of gas and air.

- ▶ Keep ventilation openings, in the appliance enclosure or in the built-in structure, clear of obstruction.

WARNING – Risk of fire!

It is dangerous to use an extended power cord and non-approved adapters.

- ▶ Do not use extension cables or multiple socket strips.
- ▶ Only use adapters and power cords approved by the manufacturer.
- ▶ If the power cord is too short and a longer one is not available, please contact an electrician to have the domestic installation adapted.

Portable multiple socket strips or portable power supply units may overheat and cause a fire.

- ▶ Do not place portable multiple socket strips or power supply units on the back of the appliance.

1.6 Safe use

WARNING – Risk of electric shock!

An ingress of moisture can cause an electric shock.

- ▶ Only use the appliance in enclosed spaces.
- ▶ Never expose the appliance to intense heat or humidity.
- ▶ Do not use steam- or high-pressure cleaners to clean the appliance.

WARNING – Risk of suffocation!

Children may put packaging material over their heads or wrap themselves up in it and suffocate.

- ▶ Keep packaging material away from children.
 - ▶ Do not let children play with packaging material.
- Children may breathe in or swallow small parts, causing them to suffocate.
- ▶ Keep small parts away from children.
 - ▶ Do not let children play with small parts.

WARNING – Risk of explosion!

If the cooling circuit is damaged, flammable refrigerant may escape and explode.

- ▶ To accelerate the defrosting process, do not use any other mechanical devices or means other than those recommended by the manufacturer.
- ▶ If food is stuck to the freezer compartment, loosen it with a blunt implement such as the handle of a wooden spoon.

Products which contain flammable propellants and explosive substances may explode, e.g. spray cans.

- ▶ Do not store products which contain flammable propellants (e.g. spray cans) or explosive substances in the appliance.

⚠ WARNING – Risk of fire!

Electrical devices within the appliance may cause a fire, e.g. heaters or electric ice makers.

- ▶ Do not operate electrical devices within the appliance.

⚠ WARNING – Risk of injury!

Containers that contain carbonated drinks may burst.

- ▶ Do not store containers that contain carbonated drinks in the freezer compartment.

Injury to the eyes caused by escaping flammable refrigerant and hazardous gases.

- ▶ Do not damage the tubes of the refrigerant circuit or the insulation.

The appliance may tip.

- ▶ Do not stand or support yourself on the base, runners or doors.

⚠ WARNING – Risk of burns!

Individual parts on the back of the appliance become hot during operation.

- ▶ Never touch these hot parts.

⚠ WARNING – Risk of cold burns!

Contact with frozen food and cold surfaces may cause burns by refrigeration.

- ▶ Never put frozen food straight from the freezer compartment into your mouth.
- ▶ Avoid prolonged contact of the skin with frozen food, ice and surfaces in the freezer compartment.

⚠ CAUTION – Risk of harm to health!

To prevent food from being contaminated, you must observe the following instructions.

- ▶ If the door is open for an extended period of time, this may lead to a considerable temperature increase in the compartments of the appliance.
- ▶ Regularly clean the surfaces that may come into contact with food and accessible drain systems.

- ▶ Store raw meat and fish in suitable containers in the refrigerator so that they do not touch or drip on other food.
- ▶ If the fridge/freezer is empty for an extended period of time, switch off the appliance, defrost it, clean it and leave the door open to prevent the formation of mould.

Metal or metal-style parts in the appliance may contain aluminium. If acidic food comes into contact with aluminium in the appliance, aluminium foil ions may pass into the food.

- ▶ Do not consume soiled food.

1.7 Damaged appliance

WARNING – Risk of electric shock!

If the appliance or the power cord is damaged, this is dangerous.

- ▶ Never operate a damaged appliance.
- ▶ Never pull on the power cord to unplug the appliance. Always unplug the appliance at the mains.
- ▶ If the appliance or the power cord is damaged, immediately unplug the power cord or switch off the fuse in the fuse box.
- ▶ Call customer services. → *Page 31*

Incorrect repairs are dangerous.

- ▶ Repairs to the appliance should only be carried out by trained specialist staff.
- ▶ Only use genuine spare parts when repairing the appliance.
- ▶ If the power cord of this appliance is damaged, it must be replaced by the manufacturer, the manufacturer's Customer Service or a similarly qualified person in order to prevent any risk.

WARNING – Risk of fire!



If the tubes are damaged, flammable refrigerant and harmful gases may escape and ignite.

- ▶ Keep naked flames and ignition sources away from the appliance.
- ▶ Ventilate the room.
- ▶ Switch off the appliance. → *Page 18*

en Safety

- ▶ Unplug the appliance from the mains or switch off the circuit breaker in the fuse box.
- ▶ Call after-sales service. → *Page 31*

2 Preventing material damage

ATTENTION!

If not rolling freely, the appliance's castors may damage the floor when the appliance is moved.

- ▶ Transport the appliance using a sack truck.
- ▶ Use floor protection when moving the appliance, and do not move it in a zigzag fashion.

Using the base, runners or appliance doors as a seat surface or climbing surface may damage the appliance.

- ▶ Do not stand or support yourself on the base, runners or doors.

Contamination with oil or fat may cause plastic parts and door seals to become porous.

- ▶ Keep plastic parts and door seals free of oil and grease.

Metal or metal-style parts in the appliance may contain aluminium. Aluminium reacts when it comes into contact with acidic foods.

- ▶ Do not store unpackaged food in the appliance.

If you clean fittings and accessories in the dishwasher, this may cause them to become deformed or discoloured.

- ▶ Never clean fittings and accessory in the dishwasher.

3 Environmental protection and saving energy

3.1 Disposing of packaging

The packaging materials are environmentally compatible and can be recycled.

- ▶ Sort the individual components by type and dispose of them separately.

3.2 Saving energy

If you follow these instructions, your appliance will use less power.

Selecting the installation location

- Keep the appliance out of direct sunlight.
- Install the appliance as far away as possible from heating elements, cookers and other heat sources:
 - Maintain a 30 mm clearance to electric or gas cookers.
 - Maintain a 300 mm clearance to oil or solid-fuel cookers.
- Make sure there is a small gap between the side wall and the appliance.
- Never cover or block the external ventilation openings.

Saving energy during use

Note: The arrangement of the fittings does not affect the energy consumption of the appliance.

- Open the appliance only briefly and then close it carefully.
- Never cover or block the interior ventilation openings or the exterior ventilation openings.
- Transport purchased food in a cool bag and place in the appliance quickly.

en Installation and connection

- Allow warm food and drinks to cool down before storing them.
- Thaw frozen food in the refrigerator compartment to utilise the low temperature of the food.
- Always leave some space between the food and to the back panel.

4 Installation and connection

4.1 Scope of delivery

After unpacking all parts, check for any transport damage and for completeness of delivery.

If you have any complaints, contact your dealer or our after-sales service → Page 31.

The delivery consists of the following:

- Free-standing appliance
- Equipment and accessories¹
- Installation material
- Installation instructions
- User manual
- Customer service directory
- Warranty enclosure²
- Energy label
- Information on energy consumption and noises

4.2 Criteria for the installation location

WARNING **Risk of explosion!**

If the appliance is in a space that is too small, a leak in the refrigeration circuit may result in a flammable mixture of gas and air.

- ▶ Only install the appliance in a space with a volume of at least 1 m³ per 8 g refrigerant. The volume of refrigerant is indicated on the rating plate. → Fig. **1**/**6**

The weight of the appliance ex works may be up to 105 kg depending on the model.

The subfloor must be sufficiently stable to bear the weight of the appliance.

Permitted room temperature

The permitted room temperature depends on the appliance's climate class.

The climate class can be found on the rating plate. → Fig. **1**/**6**

Climate class	Permitted room temperature
SN	10 °C to 32 °C
N	16 °C to 32 °C
ST	16 °C to 38 °C
T	16 °C to 43 °C

The appliance is fully functional within the permitted room temperature.

If an appliance with climate class SN is operated at colder room temperatures, the appliance will not be damaged up to a room temperature of 5 °C.

¹ Depending on the appliance specifications

² Not in all countries

Over-and-under and side-by-side installation

If you want to install 2 refrigerating appliances one over the other or side by side, you must maintain a clearance of at least 150 mm between the appliances. Selected appliances can be installed without a minimum clearance. Ask your dealer or kitchen planner about this.

4.3 Installing the appliance

- ▶ Install the appliance in accordance with the enclosed installation instructions.

4.4 Preparing the appliance for the first time

1. Remove the informative material.
2. Remove the protective foil and transit bolts, e.g. remove the adhesive strips and carton.
3. Clean the appliance for the first time. → Page 24

4.5 Connecting the appliance to the electricity supply

1. Insert the mains plug of the appliance's power cable in a socket nearby.

The connection data of the appliance can be found on the rating plate. → Fig. **1**/**6**

2. Check the mains plug is inserted properly.
- ✓ The appliance is now ready for use.

5 Familiarising yourself with your appliance

5.1 Appliance

You can find an overview of the parts of your appliance here.

→ Fig. **1**

A	Refrigerator compartment → Page 21
B	Freezer compartment → Page 22
1	Control panel → Page 16
2	Lighting
3	Bottle shelf → Page 16
4	Interior ventilation opening
5	Temperature controller (storage container) → Page 18
6	Rating plate → Page 32
7	Storage container → Page 16
8	Fruit and vegetable container with humidity control → Page 16
9	Frozen food container → Page 25
10	Screw foot
11	Door storage compartment for large bottles → Page 17

Note: Deviations between your appliance and the diagrams may differ with regard to their features and size.

5.2 Control panel

You can use the control panel to configure all functions of your appliance and to obtain information about the operating status.

→ Fig. 2

- | | |
|----|--|
| 1 | Displays the set temperature for the refrigerator compartment in °C. |
| 2 | —/+ sets the temperature of the refrigerator compartment. |
| 3 | Alarm switches the warning signal off. |
| 4 | Displays the set temperature for the freezer compartment in °C. |
| 5 | —/+ sets the temperature of the freezer compartment. |
| 6 | Super (Cooler) switches Super cooling on or off. |
| 7 | Fresh switches freshness mode on or off. |
| 8 | Eco switches energy-saving mode on or off. |
| 9 | Vacation switches holiday mode on or off. |
| 10 | ⓁOn/Off switches the appliance on or off. |
| 11 | Super (Freezer) switches Super freezing on or off. |

6 Features

The features of your appliance depend on the model.

6.1 Shelf

To vary the shelf as required, you can remove the shelf and re-insert it elsewhere.

→ "Removing the shelf", Page 25

6.2 Bottle shelf

Store bottles securely on the bottle shelf.

To vary the bottle shelf as required, you can remove the bottle shelf and re-insert it elsewhere.

→ "Removing the shelf", Page 25

6.3 Storage container

The temperatures in the storage container are lower than in the refrigerator compartment. Temperatures below 0 °C may occur occasionally. Use the lower temperatures in the storage container to store highly perishable food, e.g. fish, meat and sausages.

6.4 Fruit and vegetable container with humidity control

Store fresh fruit and vegetables loose in the fruit and vegetable container. Cover any chopped fruit and vegetables, or store in air-tight packaging. You can adjust the humidity in the fruit and vegetable container using the humidity controller and a special seal. This allows fresh fruit and vegetables to be stored for up to twice as long as with conventional storage.

→ Fig. 3

The air humidity in the fruit and vegetable container can be set according to the type and amount of food to be stored by pressing the humidity controller:

- Low humidity Δ required when primarily storing fruit or mixed items, or if the appliance is very full.
- High humidity $\Delta\Delta\Delta$ required when primarily storing vegetables or when the appliance is not very full.

Condensation may form in the fruit and vegetable container depending on the food and quantity stored. Remove the condensation with a dry cloth and adjust the air humidity to a lower setting using the humidity controller.

To ensure that the quality and aroma are retained, store fruit and vegetables that are sensitive to cold outside of the appliance at temperatures of approx. 8 °C to 12 °C, e.g. pineapple, bananas, citrus fruits, cucumbers, courgettes, peppers, tomatoes and potatoes.

6.5 Butter and cheese compartment

Store butter and hard cheese in the butter and cheese compartment.

6.6 Door rack

To adjust the door rack as required, you can remove the door rack and re-insert elsewhere.

→ "Removing door rack", Page 25

6.7 Accessories

Use original accessories. These have been made especially for your appliance.

The accessories for your appliance depend on the model.

Egg tray

Store eggs safely on the egg tray.

Bottle holder

The bottle holder prevents bottles from falling over when the appliance door is opened and closed.

→ Fig. 4

Ice cube tray

Use the ice cube tray to make ice cubes.

Making ice cubes

Use only drinking water to make ice cubes.

1. Fill the ice cube tray with drinking water up to $\frac{3}{4}$ and place in the freezer compartment.

If the ice cube tray is stuck to the freezer compartment, loosen it with a blunt implement only (e.g. spoon handle).

2. To loosen the ice cubes, twist the ice cube tray slightly or hold it briefly under flowing water.

7 Basic operation

7.1 Switching on the appliance

1. Electrically connect the appliance.
→ Page 15
- ✓ The appliance begins to cool.
- ✓ A warning signal sounds, the temperature display (freezer compartment) flashes and Alarm lights up because the freezer compartment is still too warm.
2. Switch off the warning tone using Alarm.
- ✓ Alarm goes out as soon as the set temperature has been reached.

en Additional functions

3. Set the required temperature.
→ Page 18

7.2 Operating tips

- Once you have switched on the appliance, the set temperature is only reached after several hours. Do not put any food in the appliance until the set temperature has been reached.
- The front panels of the housing are temporarily heated slightly. This prevents condensation in the area of the door seal.
- When you close the door, a vacuum may be created. The door is then difficult to open again. Wait a moment until the vacuum is offset.
- The temperature in the appliance varies due to the following conditions:
 - How often the appliance is opened
 - Load capacity
 - Temperature of newly stored food
 - Ambient temperature
 - Direct sunlight

7.3 Switching off the appliance

- ▶ Disconnect the appliance from the power supply. Unplug the appliance from the mains or switch off the circuit breaker in the fuse box.

7.4 Setting the temperature

Setting the refrigerator compartment temperature

- ▶ Press $-/+$ repeatedly until the temperature display (refrigerator compartment) shows the required temperature.

To reach the set temperature, slide the temperature controller for the storage container to a position that is one third from the bottom.

→ Page 18

The recommended temperature in the refrigerator compartment is 4 °C.

Setting the storage container temperature

1. To reduce the temperature, slide the temperature controller in the direction.
2. To increase the temperature, slide the temperature controller in the direction.

→ Fig. 5

Setting the freezer compartment temperature

- ▶ Press $-/+$ repeatedly until the temperature display (freezer compartment) shows the required temperature.
The recommended temperature in the freezer compartment is -18 °C.

8 Additional functions

Find out which additional functions can be used for your appliance.

8.1 Super cooling

With Super cooling, the refrigerator compartment cools as cold as possible.

Switch on Super cooling before placing large quantities of food.

Note: When Super cooling is switched on, increased noise may occur.

Switching on Super cooling

- ▶ Press Super (Cooler).
- ✓ Super (Cooler) lights up.

Note: After approx. 6 hours, the appliance switches to normal operation.

Switching off Super cooling

- ▶ Press Super (Cooler).
- ✓ The previously set temperature is displayed.

8.2 Automatic Super freezing

With automatic Super freezing, the freezer compartment cools down to a much lower temperature than in normal mode. This freezes food more quickly.

The automatic Super freezing switches on if you place fresh food in the bottom frozen food container, starting from the left-hand side.

If the automatic Super freezing is switched on, Super (Freezer) lights up and increased noises may occur.

After operation, the appliance switches from automatic Super freezing to normal operation.

Cancelling automatic Super freezing

- ▶ Press Super (Freezer).
- ✓ The previously set temperature is displayed.

8.3 Manual Super freezing

With Super freezing, the freezer compartment cools as cold as possible. Switch on Super freezing four to six hours before placing food weighing 2 kg or more into the freezer compartment.

In order to utilise the freezer capacity, use Super freezing.

→ "Prerequisites for freezing capacity", Page 22

Note: When Super freezing is switched on, increased noise may occur.

Switching on manual Super freezing

- ▶ Press Super (Freezer).
- ✓ Super (Freezer) lights up.

Note: After approx. 60 hours, the appliance switches to normal operation.

Switching off manual Super freezing

- ▶ Press Super (Freezer).
- ✓ The previously set temperature is displayed.

8.4 Holiday mode

If you are going to be away for a long time, you can switch on energy-saving holiday mode on the appliance.

CAUTION

Risk of harm to health!

The refrigerator compartment heats up while the holiday mode is switched on. The increased temperature may cause bacteria to increase and spoil the food.

- ▶ When the holiday mode is switched on, do not store any food in the refrigerator compartment.

The appliance automatically sets the temperatures.

Refrigerator compartment	6 °C
Freezer compartment	Temperature remains unchanged

Switching on holiday mode

- ▶ Press Vacation.
- ✓ Vacation lights up.

Switching off holiday mode

- ▶ Press Vacation.
- ✓ The previously set temperature is displayed.

8.5 Energy-saving mode

You can set the appliance to save energy with the energy-saving mode. The appliance automatically sets the temperatures.

Refrigerator com- partment	8 °C
-------------------------------	------

Freezer compart- ment	-16 °C
--------------------------	--------

Switching on energy-saving mode

- ▶ Press Eco.
- ✓ Eco lights up.

Switching off energy-saving mode

- ▶ Press Eco.
- ✓ The previously set temperature is displayed.

8.6 Freshness mode

In order to keep the food fresh for longer, you can switch on the freshness mode on the appliance. The appliance automatically sets the temperatures.

Refrigerator com- partment	2 °C
-------------------------------	------

Freezer compart- ment	Temperature re- mains un- changed
--------------------------	---

Switching freshness mode on

- ▶ Press Fresh.
- ✓ Fresh lights up.

Switching off freshness mode

- ▶ Press Fresh.
- ✓ The previously set temperature is displayed.

8.7 Sabbath mode

To ensure that you can also use the appliance on the Sabbath, the Sabbath mode switches off all non-essential functions.

During Sabbath mode, the following functions are switched off:

- Super cooling
- Automatic Super freezing and manual Super freezing
- Alarm
- Interior lighting
- Audible signals
- Messages on the control panel

Note: The brightness of the control panel lighting is reduced during the Sabbath mode.

Switching on Sabbath mode

- ▶ Press and hold Super (Freezer) for 15 seconds.

Note: After approx. 80 hours, the appliance switches to normal operation.

Switching off Sabbath mode

- ▶ Press and hold Super (Freezer) for 15 seconds.

9 Alarm

9.1 Door alarm

If the appliance door is open for a while, the door alarm switches on. A warning tone sounds and Alarm flashes.

Switching off the door alarm

- ▶ Close the appliance door or press Alarm.
- ✓ The warning tone is switched off.
- ✓ Alarm goes out.

9.2 Temperature alarm

If the freezer compartment becomes too warm, the temperature alarm is switched on.

A warning tone sounds and the set temperature (freezer compartment) and Alarm flash.

CAUTION Risk of harm to health!

During the thawing process, bacteria may multiply and spoil the frozen food.

- ▶ Do not refreeze food after it has been defrosted or started to defrost.
- ▶ Refreeze food only after cooking.
- ▶ These items should no longer be stored for the maximum storage period.

The temperature alarm can be switched on in the following cases:

- The appliance is switched on.
Do not store any food until the appliance has reached the set temperature.
- Large quantities of fresh food are being placed inside.
Switch on Super freezing before placing large quantities of food in the appliance.
- The freezer compartment door is open for too long.
Check whether the frozen food has defrosted or thawed.

Switching off the temperature alarm

- ▶ Press Alarm.
- ✓ The warning tone is switched off.

- ✓ The temperature display (freezer compartment) briefly indicates the warmest temperature reached in the freezer compartment. The temperature display (freezer compartment) then indicates the set temperature again.
- ✓ From this time on, the warmest temperature is measured again and saved.
- ✓ Alarm lights up until the set temperature is reached again.

10 Refrigerator compartment

You can keep meat, sausage, fish, dairy products, eggs, prepared meals and pastries in the refrigerator compartment.

The temperature can be set from 2 °C to 8 °C.

The refrigerator compartment can also be used to store highly perishable foods in the short to medium term. The lower the selected temperature, the longer the food remains fresh.

10.1 Tips for storing food in the refrigerator compartment

- Only store food when fresh and undamaged.
- Store food covered or in air-tight packaging.
- To avoid impeding the circulation of air and to prevent food from freezing, do not place food in front of the inner ventilation openings or in direct contact with the back wall.
- Allow hot food and drinks to cool down first before placing in the appliance.

en Freezer compartment

- Observe the best-before date or use-by date specified by the manufacturer.

10.2 Chill zones in the refrigerator compartment

The air circulation in the refrigerator compartment creates different chill zones.

Coldest zone

The coldest zone is in the storage container.

Tip: Store highly perishable food such as fish, sausages and meat in the coldest zone.

Warmest zone

The warmest zone is at the very top of the door.

Tip: Store food that does not spoil easily in the warmest zone, e.g. hard cheese and butter. Cheese can then continue to release its aroma and the butter will still be easy to spread.

11 Freezer compartment

You can store frozen food, freeze food and make ice cubes in the freezer compartment.

The temperature can be set from $-16\text{ }^{\circ}\text{C}$ to $-24\text{ }^{\circ}\text{C}$.

Long-term storage of food should be at $-18\text{ }^{\circ}\text{C}$ or lower.

The freezer compartment can be used to store perishable food long-term. The low temperatures slow down or stop the spoilage.

11.1 Freezing capacity

The freezing capacity indicates the quantity of food that can be frozen right through to the centre within a specific period of time.

Information on freezing capacity can be found on the rating plate.

→ Fig. **1** / **6**

Prerequisites for freezing capacity

1. Approx. 24 hours before placing fresh food in the appliance, switch on Super freezing.
→ "Switching on manual Super freezing", Page 19
2. Place food in the bottom frozen food container first.

11.2 Fully utilising the freezer compartment volume

Learn how to store the maximum amount of frozen food in the freezer compartment.

1. Remove all fittings from the freezer compartment. → Page 25
2. Store food directly on the shelves and on the floor of the freezer compartment.

11.3 Tips for storing food in the freezer compartment

- Store food in air-tight packaging.
- Do not bring food which is to be frozen into contact with frozen food.
- Place the food over the whole area of the frozen food containers.
- To ensure that the air can circulate freely in the appliance, push the frozen food containers in as far as they will go.

11.4 Tips for freezing fresh food

- Freeze fresh and undamaged food only.
- Freeze food in portions.
- Cooked food is more suitable than food that can be eaten raw.
- Vegetables: Wash, chop up and blanch before freezing.
- Fruit: Wash, pit and perhaps peel, possibly add sugar or ascorbic acid solution.
- Food that is suitable for freezing includes baked items, fish and sea-food, meat, game, poultry, eggs without shells, cheese, butter and quark, ready meals and leftovers.
- Food that is unsuitable for freezing includes lettuce, radishes, eggs in shells, grapes, raw apples and pears, yoghurt, sour cream, crème fraîche and mayonnaise.

Packing frozen food

If you select suitable packaging material and the correct type of packaging, you can determine the product quality and prevent freezer burn.

1. Place the food in the packaging.
2. Squeeze out the air.
3. Pack food airtight to prevent it from losing flavour and drying out.
4. Label the packaging with the contents and the date of freezing.

11.5 Shelf life of frozen food at $-18\text{ }^{\circ}\text{C}$

Food	Storage time
Fish, sausages, prepared meals and baked goods	up to 6 months
Poultry, meat	up to 8 months

Food	Storage time
Vegetables, fruit	up to 12 months

The imprinted freezer calendar indicates the maximum storage duration in months at a constant temperature of $-18\text{ }^{\circ}\text{C}$.

11.6 Defrosting methods for frozen food

CAUTION Risk of harm to health!

During the thawing process, bacteria may multiply and spoil the frozen food.

- ▶ Do not refreeze food after it has been defrosted or started to defrost.
 - ▶ Refreeze food only after cooking.
 - ▶ These items should no longer be stored for the maximum storage period.
- Defrost animal-based food, such as fish, meat, cheese, quark, in the refrigerator compartment.
 - Defrost bread at room temperature.
 - Prepare food for immediate consumption in the microwave, in the oven or on the hob.

12 Defrosting

12.1 Defrosting in the refrigerator compartment

The refrigerator compartment in your appliance defrosts automatically.

12.2 Defrosting in the freezer compartment

The fully automatic NoFrost system ensures that the freezer compartment remains frost-free. Defrosting is not required.

13 Cleaning and servicing

To keep your appliance working efficiently for a long time, it is important to clean and maintain it carefully. Customer Service must clean inaccessible points. Cleaning by customer service can give rise to costs.

13.1 Preparing the appliance for cleaning

1. Disconnect the appliance from the power supply.
Unplug the appliance from the mains or switch off the circuit breaker in the fuse box.
2. Take out all of the food and store it in a cool place.
Place ice packs (if available) onto the food.
3. Remove all fittings and accessories from the appliance.
→ *Page 25*
4. Remove the shelf above the fruit and vegetable container.
→ *Page 25*

13.2 Cleaning the appliance

WARNING

Risk of electric shock!

An ingress of moisture can cause an electric shock.

- ▶ Do not use steam- or high-pressure cleaners to clean the appliance.

Liquid in the lighting, controls or inner ventilation openings can be dangerous.

- ▶ The rinsing water must not drip into the lighting, controls or inner ventilation openings.

ATTENTION!

Unsuitable cleaning products may damage the surfaces of the appliance.

- ▶ Do not use hard scouring pads or cleaning sponges.
- ▶ Do not use harsh or abrasive detergents.
- ▶ Do not use cleaning products with a high alcohol content.

If you clean fittings and accessories in the dishwasher, this may cause them to become deformed or discoloured.

- ▶ Never clean fittings and accessory in the dishwasher.

1. Prepare the appliance for cleaning.
→ *Page 24*
2. Clean the appliance, the fittings, the accessories and the door seals with a dish cloth, lukewarm water and a little pH-neutral washing-up liquid.
3. Dry thoroughly with a soft, dry cloth.
4. Insert the fittings and install the appliance components.
5. Electrically connect the appliance.
→ *Page 15*
6. Putting the food into the appliance.

13.3 Removing the fittings

If you want to clean the fittings thoroughly, remove these from your appliance.

Removing the shelf

- ▶ Pull out, lift and remove the shelf.
→ Fig. **6**

Removing door rack

- ▶ Lift the door rack and remove it.
→ Fig. **7**

Removing the storage container

- ▶ Lower the storage container at the front ① and remove it ②.
→ Fig. **8**

Removing the fruit and vegetable container

1. Pull out the fruit and vegetable container as far as it will go.
2. Lift the fruit and vegetable container at the front ① and remove it ②.
→ Fig. **9**

Removing the frozen food container

1. Take out the frozen food container as far as it will go.
2. Lift the frozen food container at the front ① and remove it ②.
→ Fig. **10**

Removing the front of the container

You can remove the front of the fruit and vegetable container to facilitate cleaning.

- ▶ Press in the snap-in hooks on the side of the container ① and remove the front from the container in a turning motion ②.
→ Fig. **11**

13.4 Removing appliance components

If you want to clean your appliance thoroughly, you can remove certain components from your appliance.

Shelf above the fruit and vegetable container

You can remove the cover of the fruit and vegetable container in order to clean it thoroughly.

Removing the shelf above the fruit and vegetable container

1. Remove the fruit and vegetable container. → Page 25
2. Remove the storage container.
→ Page 25
3. Tilt the shelf above the fruit and vegetable container to the side ① and remove it ②.
→ Fig. **12**
4. Lift the fruit and vegetable container cover ① and remove it ②.
→ Fig. **13**

Fitting the shelf above the fruit and vegetable container

1. Clip the fruit and vegetable container cover in place.
→ Fig. **14**
2. Tilt the shelf above the fruit and vegetable container to one side to insert it ① and then lower ②.
→ Fig. **15**

en Cleaning and servicing

3. Move the humidity controller to the front.

→ Fig. **16**

Make sure that the fruit and vegetable container cover sits in the opening under the humidity controller.

4. Insert the storage containers and the fruit and vegetable containers.

→ Fig. **17**

14 Troubleshooting

You can rectify minor faults on your appliance yourself. Read the troubleshooting information before contacting after-sales service. This will avoid unnecessary costs.

WARNING

Risk of electric shock!

Incorrect repairs are dangerous.

- ▶ Repairs to the appliance should only be carried out by trained specialist staff.
- ▶ Only use genuine spare parts when repairing the appliance.
- ▶ If the power cord of this appliance is damaged, it must be replaced by the manufacturer, the manufacturer's Customer Service or a similarly qualified person in order to prevent any risk.

Fault	Cause and troubleshooting
The appliance is not cooling, the displays and lighting are lit.	Showroom mode is switched on. <ol style="list-style-type: none"> 1. Press and hold Alarm for 9–11 seconds until an audible signal sounds. 2. After a short time, check whether your appliance is cooling.
The LED lighting does not work.	Different causes are possible. <ul style="list-style-type: none"> ▶ Call customer service. The customer service number can be found in the enclosed customer service directory.
Side panels of the appliance are warm.	Not a fault. The side panels contain pipes which heat up during the cooling process. Units touching the appliance will not be damaged by the heat. No action required.
E or d appears in the temperature display.	The electronics have detected a fault. <ol style="list-style-type: none"> 1. Switch off the appliance. → <i>Page 18</i> 2. Disconnect the appliance from the mains. <ul style="list-style-type: none"> Unplug the appliance from the mains or switch off the circuit breaker in the fuse box. 3. Reconnect the appliance after five minutes. 4. If the message still appears on the display, call customer service. The customer service number can be found in the enclosed customer service directory.

Fault	Cause and troubleshooting
<p>A warning signal sounds and Alarm flashes.</p> <p>The door alarm is switched on.</p>	<p>The appliance door is open.</p> <ul style="list-style-type: none"> ▶ Close the appliance door.
<p>A warning tone sounds and the temperature display (freezer compartment) and Alarm flash.</p> <p>The temperature alarm is switched on.</p>	<p>Different causes are possible.</p> <ol style="list-style-type: none"> 1. Press Alarm. ✓ The alarm is switched off. 2. After several hours, check whether the set freezer compartment temperature has been reached again. <hr/> <p>External ventilation openings are covered up.</p> <ul style="list-style-type: none"> ▶ Remove any obstructions from in front of the external ventilation openings. <hr/> <p>Larger quantities of fresh food have been put in.</p> <ul style="list-style-type: none"> ▶ Switch on Super freezing before placing a larger amount of food in the appliance. <p>→ "Switching on manual Super freezing", Page 19</p>
<p>The set temperature is not reached.</p> <p>Fully automatic defrosting no longer works.</p>	<p>The freezer compartment door was open for a long time. The evaporator (refrigeration unit) in the noFrost system is heavily iced up.</p> <p>Requirement: Store the frozen food well insulated in a cool place.</p> <ol style="list-style-type: none"> 1. Switch off the appliance. → Page 18 2. Disconnect the appliance from the mains. <ul style="list-style-type: none"> Unplug the appliance from the mains or switch off the circuit breaker in the fuse box. 3. Move the appliance away from the wall. 4. Leave the appliance door open. ✓ After approx. 20 minutes, the condensation starts to run into the evaporation pan at the rear of the appliance. → Fig. 18 5. To prevent the evaporation pan from overflowing, mop up the condensation water with a sponge. <ul style="list-style-type: none"> The evaporator is defrosted if no more condensation water runs into the evaporation pan. 6. Clean the interior of the appliance. → Page 24 7. Switch the appliance back on. → Page 17

Fault	Cause and troubleshooting
The temperature differs greatly from the setting.	<p>Different causes are possible.</p> <ol style="list-style-type: none"> 1. Switch off the appliance. → <i>Page 18</i> 2. Switch the appliance back on after five minutes. → <i>Page 17</i> <ul style="list-style-type: none"> – If the temperature is too warm, check the temperature again after a couple of hours. – If the temperature is too cold, check the temperature again on the following day.
Condensation accumulates on the surface of the appliance and on the shelves inside.	<p>The water contained in warm and humid air condenses on the colder surfaces of the appliance.</p> <ol style="list-style-type: none"> 1. Wipe away the water with a soft, dry cloth. 2. Open the appliance as briefly as possible. 3. Ensure that the appliance is always closed properly.
The appliance hums, bubbles, buzzes, gargles, clicks or crackles.	<p>Not a fault. A motor is running, e.g. refrigerating unit, fan. Refrigerant flows through the pipes. The motor, switches or solenoid valves are switching on or off. Automatic defrosting is running. No action required.</p>
The appliance makes noises.	<p>The appliance is not level.</p> <ul style="list-style-type: none"> ▶ Align the appliance using a spirit level and the screw feet. <hr/> <p>The appliance is not free-standing.</p> <ul style="list-style-type: none"> ▶ Observe the minimum clearances for the appliance. <hr/> <p>Fittings wobble or stick.</p> <ul style="list-style-type: none"> ▶ Check the removable fittings and, if required, replace these. <hr/> <p>Bottles or containers are touching.</p> <ul style="list-style-type: none"> ▶ Move the bottles or containers away from each other. <hr/> <p>Super freezing is switched on. No action required.</p>

14.1 Power failure

During a power failure, the temperature in the appliance rises; this reduces the storage time and the quality of the frozen food.

On the website for your appliance, the technical data provides you with the storage times for frozen food in the event of a fault.

Notes

- Open the appliance as little as possible during a power failure and do not place any other food in the appliance.
- Check the quality of the food immediately after a power failure.
 - Dispose of any frozen food that has defrosted and is hotter than 5 °C.
 - Cook or fry slightly thawed frozen food, and then either consume it or freeze it again.

14.2 Conducting an appliance self-test

Your appliance has an appliance self-test which displays faults that can be eliminated by your customer service.

1. Disconnect the appliance from the power supply.

Unplug the appliance from the mains or switch off the circuit breaker in the fuse box.
2. Electrically reconnect the appliance after five minutes. → *Page 15*
3. Within the first 10 seconds after connecting to the power supply, press and hold **Super** for three to five seconds until an audible signal sounds.
 - ✓ The appliance self-test starts.
 - ✓ While the appliance self-test is running, a long audible signal sounds.

- ✓ If, at the end of the appliance self-test, two audible signals sound and the temperature display indicates the set temperature, your appliance is OK. The appliance switches to normal operation.
- ✓ If, at the end of the appliance self-test, 5 audible signals sound and **Super** flashes for 10 seconds, inform customer service.

15 Storage and disposal

15.1 Taking the appliance out of operation

1. Disconnect the appliance from the power supply.

Unplug the appliance from the mains or switch off the circuit breaker in the fuse box.
2. Remove all of the food.
3. Clean the appliance. → *Page 24*
4. **ATTENTION!** Objects jammed between the door and the housing may damage the door hinge.
 - ▶ Open the door until it remains open by itself.
 - ▶ Do not insert any objects between the door and the housing.

To guarantee the ventilation inside the appliance, leave the appliance open.

15.2 Disposing of old appliance

Valuable raw materials can be re-used by recycling.

WARNING

Risk of harm to health!

Children can lock themselves in the appliance, thereby putting their lives at risk.

- ▶ Leave shelves and containers inside the appliance to prevent children from climbing in.
- ▶ Keep children away from the redundant appliance.

WARNING

Risk of fire!

If the tubes are damaged, flammable refrigerant and harmful gases may escape and ignite.

- ▶ Do not damage the tubes of the refrigerant circuit or the insulation.

1. Unplug the appliance from the mains.
2. Cut through the power cord.
3. Dispose of the appliance in an environmentally friendly manner.

Information about current disposal methods are available from your specialist dealer or local authority.



This appliance is labelled in accordance with European Directive 2012/19/EU concerning used electrical and electronic appliances (waste electrical and electronic equipment - WEEE). The guideline determines the framework for the return and recycling of used appliances as applicable throughout the EU.

16 Customer Service

Function-relevant genuine spare parts according to the corresponding Eco-design Order can be obtained from Customer Service for a period of at least 10 years from the date on which your appliance was placed on the market within the European Economic Area.

Note: Under the terms of the manufacturer's warranty applicable to the location, the use of Customer Service is free of charge. The minimum duration of the warranty (manufacturer's warranty for private consumers) in the European Economic Area is 2 years according to the terms of warranty applicable to the location. The terms of warranty do not affect other rights or claims held by yourself under local legislation.

Detailed information on the warranty period and terms of warranty in your country is available from our after-sales service, your retailer or on our website.

If you contact Customer Service, you will require the product number (E-Nr.) and the production number (FD) of your appliance.

The contact details for Customer Service can be found in the enclosed Customer Service directory or on our website.

16.1 Product number (E-Nr.) and production number (FD)

You can find the product number (E-Nr.) and the production number (FD) on the appliance's rating plate.

→ Fig.  / 

Make a note of your appliance's details and the Customer Service telephone number to find them again quickly.

17 Technical data

Refrigerant, cubic capacity and further technical specifications can be found on the rating plate.

→ Fig. **1** / **6**

This product contains a light source from energy efficiency class F. The light source is available as a spare part and should only be replaced by trained specialist staff.

You can find more information about your model online at <https://eprel.ec.europa.eu/>¹. This web address is linked to the official EU EPREL product database. Please then follow the instructions on searching for the model. The model identifier is made up of the characters before the slash in the product number (E-Nr.) on the rating plate. Alternatively, you can also find the model identifier in the first line of the EU energy label.

¹ Only applies to countries in the European Economic Area

Weitere Informationen und Erklärungen finden Sie online:



Inhaltsverzeichnis

1 Sicherheit	35	7 Grundlegende Bedienung	46
1.1 Allgemeine Hinweise	35	7.1 Gerät einschalten	46
1.2 Bestimmungsgemäßer Gebrauch	35	7.2 Hinweise zum Betrieb.....	46
1.3 Einschränkung des Nutzerkreises	35	7.3 Gerät ausschalten	46
1.4 Sicherer Transport.....	35	7.4 Temperatur einstellen.....	46
1.5 Sichere Installation	36	8 Zusatzfunktionen	47
1.6 Sicherer Gebrauch	37	8.1 Super-Kühlen	47
1.7 Beschädigtes Gerät.....	39	8.2 Automatisches Super-Gefrieren	47
2 Sachschäden vermeiden	41	8.3 Manuelles Super-Gefrieren.....	47
3 Umweltschutz und Sparen	41	8.4 Urlaubsmodus	48
3.1 Verpackung entsorgen.....	41	8.5 Energiesparmodus	48
3.2 Energie sparen	41	8.6 Frischemodus.....	48
4 Aufstellen und Anschließen	42	8.7 Sabbat-Modus	48
4.1 Lieferumfang.....	42	9 Alarm.....	49
4.2 Kriterien für den Aufstellort.....	42	9.1 Türalarm	49
4.3 Gerät montieren	43	9.2 Temperaturalarm	49
4.4 Gerät für den ersten Gebrauch vorbereiten	43	10 Kühlfach	49
4.5 Gerät elektrisch anschließen... 43		10.1 Tipps zum Einlagern von Lebensmitteln ins Kühlfach ... 50	
5 Kennenlernen	43	10.2 Kältezonen im Kühlfach..... 50	
5.1 Gerät.....	43	11 Gefrierfach.....	50
5.2 Bedienfeld	43	11.1 Gefriervermögen.....	50
6 Ausstattung	44	11.2 Gefrierfachvolumen vollständig nutzen	50
6.1 Ablage	44	11.3 Tipps zum Einlagern von Lebensmitteln ins Gefrierfach.....	51
6.2 Flaschenablage	44	11.4 Tipps zum Einfrieren frischer Lebensmittel	51
6.3 Lagerbehälter	44	11.5 Haltbarkeit des Gefrierguts bei -18 °C.....	51
6.4 Obst- und Gemüsebehälter mit Feuchtigkeitsregler	44	11.6 Auftaumethoden für Gefriergut	51
6.5 Butter- und Käsefach.....	45		
6.6 Türabsteller.....	45		
6.7 Zubehör	45		

de

12 Abtauen	52
12.1 Abtauen im Kühlfach.....	52
12.2 Abtauen im Gefrierfach	52
13 Reinigen und Pflegen	52
13.1 Gerät zum Reinigen vorbe- reiten.....	52
13.2 Gerät reinigen.....	52
13.3 Ausstattungsteile entneh- men.....	53
13.4 Geräteteile ausbauen	53
14 Störungen beheben	55
14.1 Stromausfall.....	59
14.2 Geräteselbsttest durchfüh- ren	59
15 Lagern und Entsorgen.....	59
15.1 Gerät außer Betrieb neh- men.....	59
15.2 Altgerät entsorgen.....	60
16 Kundendienst	60
16.1 Erzeugnisnummer (E-Nr.) und Fertigungsnummer (FD).....	61
17 Technische Daten	61



1 Sicherheit

Beachten Sie die nachfolgenden Sicherheitshinweise.

1.1 Allgemeine Hinweise

- Lesen Sie diese Anleitung sorgfältig.
- Bewahren Sie die Anleitung sowie die Produktinformationen für einen späteren Gebrauch oder Nachbesitzer auf.
- Schließen Sie das Gerät bei einem Transportschaden nicht an.

1.2 Bestimmungsgemäßer Gebrauch

Verwenden Sie das Gerät nur:

- um Lebensmittel zu kühlen und zu gefrieren und zur Eiswürfelbereitung.
- im privaten Haushalt und in geschlossenen Räumen des häuslichen Umfelds.
- bis zu einer Höhe von 2000 m über dem Meeresspiegel.

1.3 Einschränkung des Nutzerkreises

Dieses Gerät kann von Kindern ab 8 Jahren und darüber und von Personen mit reduzierten physischen, sensorischen oder mentalen Fähigkeiten oder Mangel an Erfahrung und/oder Wissen benutzt werden, wenn sie beaufsichtigt oder bezüglich des sicheren Gebrauchs des Geräts unterwiesen wurden und die daraus resultierenden Gefahren verstanden haben.

Kinder dürfen nicht mit dem Gerät spielen.

Reinigung und Benutzerwartung dürfen nicht durch Kinder ohne Beaufsichtigung durchgeführt werden.

Kinder ab 3 Jahren und jünger als 8 Jahre dürfen das Kühl-/Gefriergerät be- und entladen.

1.4 Sicherer Transport

WARNUNG – Verletzungsgefahr!

Das hohe Gerätegewicht kann beim Anheben zu Verletzungen führen.

- ▶ Das Gerät nicht alleine anheben.

1.5 Sichere Installation

⚠️ WARNUNG – Stromschlaggefahr!

Unsachgemäße Installationen sind gefährlich.

- ▶ Das Gerät nur gemäß den Angaben auf dem Typenschild anschließen und betreiben.
- ▶ Das Gerät nur über eine vorschriftsmäßig installierte Steckdose mit Erdung an ein Stromnetz mit Wechselstrom anschließen.
- ▶ Das Schutzleitersystem der elektrischen Hausinstallation muss vorschriftsmäßig installiert sein.
- ▶ Nie das Gerät über eine externe Schaltvorrichtung versorgen, z. B. Zeitschaltuhr oder Fernsteuerung.
- ▶ Wenn das Gerät eingebaut ist, muss der Netzstecker der Netzanschlussleitung frei zugänglich sein, oder falls der freie Zugang nicht möglich ist, muss in der festverlegten elektrischen Installation eine Trennvorrichtung nach den Errichtungsbestimmungen eingebaut sein.
- ▶ Beim Aufstellen des Geräts darauf achten, dass die Netzanschlussleitung nicht eingeklemmt oder beschädigt wird.

Eine beschädigte Isolierung der Netzanschlussleitung ist gefährlich.

- ▶ Nie die Netzanschlussleitung mit Wärmequellen in Kontakt bringen.

⚠️ WARNUNG – Explosionsgefahr!

Wenn die Belüftungsöffnungen des Geräts verschlossen sind, kann bei einem Leck des Kältekreislaufs ein brennbares Gas-Luft-Gemisch entstehen.

- ▶ Belüftungsöffnungen im Gerätegehäuse oder im Einbaugehäuse nicht verschließen.

⚠️ WARNUNG – Brandgefahr!

Eine verlängerte Netzanschlussleitung und nicht zugelassene Adapter zu verwenden, ist gefährlich.

- ▶ Keine Verlängerungskabel oder Mehrfachsteckdosenleisten verwenden.
- ▶ Nur vom Hersteller zugelassene Adapter und Netzanschlussleitungen verwenden.

- ▶ Wenn die Netzanschlussleitung zu kurz ist und keine längere Netzanschlussleitung verfügbar ist, Elektrofachbetrieb kontaktieren, um die Hausinstallation anzupassen.

Ortsveränderliche Mehrfachsteckdosenleisten oder Netzteile können überhitzen und zum Brand führen.

- ▶ Ortsveränderliche Mehrfachsteckdosenleisten oder Netzteile nicht an der Rückseite der Geräte platzieren.

1.6 Sicherer Gebrauch

⚠ WARNUNG – Stromschlaggefahr!

Eindringende Feuchtigkeit kann einen Stromschlag verursachen.

- ▶ Das Gerät nur in geschlossenen Räumen verwenden.
- ▶ Nie das Gerät großer Hitze und Nässe aussetzen.
- ▶ Keinen Dampfreiniger oder Hochdruckreiniger verwenden, um das Gerät zu reinigen.

⚠ WARNUNG – Erstickungsgefahr!

Kinder können sich Verpackungsmaterial über den Kopf ziehen oder sich darin einwickeln und ersticken.

- ▶ Verpackungsmaterial von Kindern fernhalten.
- ▶ Kinder nicht mit Verpackungsmaterial spielen lassen.

Kinder können Kleinteile einatmen oder verschlucken und dadurch ersticken.

- ▶ Kleinteile von Kindern fernhalten.
- ▶ Kinder nicht mit Kleinteilen spielen lassen.

⚠ WARNUNG – Explosionsgefahr!

Durch Beschädigung des Kältekreislaufs kann brennbares Kältemittel austreten und explodieren.

- ▶ Zum Beschleunigen des Abtauvorgangs keine anderen mechanischen Einrichtungen oder sonstigen Mittel als die vom Hersteller empfohlenen benutzen.
- ▶ Festgefrorene Lebensmittel mit einem stumpfen Gegenstand lösen, z. B. Holzlöffelstiel.

Produkte mit brennbaren Treibgasen und explosiven Stoffen können explodieren, z. B. Spraydosen.

- ▶ Keine Produkte mit brennbaren Treibgasen und explosiven Stoffen im Gerät lagern.

⚠ WARNUNG – Brandgefahr!

Elektrische Geräte innerhalb des Geräts können zu einem Brand führen, z. B. Heizgeräte oder elektrische Eisbereiter.

- ▶ Keine elektrischen Geräte innerhalb des Geräts betreiben.

⚠ WARNUNG – Verletzungsgefahr!

Behälter mit kohlenstoffhaltigen Getränken können platzen.

- ▶ Keine Behälter mit kohlenstoffhaltigen Getränken im Gefrierfach lagern.

Verletzung der Augen durch Austritt von brennbarem Kältemittel und schädlichen Gasen.

- ▶ Nicht die Rohre des Kältemittel-Kreislaufs und die Isolierung beschädigen.

Das Gerät kann kippen.

- ▶ Nicht auf Sockel, Auszüge oder Türen treten oder darauf abstützen.

⚠ WARNUNG – Verbrennungsgefahr!

Einzelne Teile der Geräterückseite werden bei Betrieb heiß.

- ▶ Nie die heißen Teile berühren.

⚠ WARNUNG – Verbrennungsgefahr durch Kälte!

Kontakt mit Gefriergut und kalten Oberflächen kann zu Verbrennungen durch Kälte führen.

- ▶ Nie Gefriergut sofort in den Mund nehmen, nachdem es aus dem Gefrierfach genommen wurde.
- ▶ Längeren Kontakt der Haut mit Gefriergut, Eis und Oberflächen im Gefrierfach vermeiden.

⚠ VORSICHT – Gefahr von Gesundheitsschäden!

Um die Verunreinigung von Lebensmitteln zu vermeiden, sind die folgenden Anweisungen zu beachten.

- ▶ Wenn die Tür für eine längere Zeit geöffnet wird, kann es zu einem erheblichen Temperaturanstieg in den Fächern des Gerätes kommen.
- ▶ Die Flächen, die mit Lebensmitteln und zugänglichen Ablaufsystemen in Berührung kommen können, regelmäßig reinigen.
- ▶ Rohes Fleisch und Fisch in geeigneten Behältern im Kühlschrank so aufbewahren, dass es andere Lebensmittel nicht berührt oder auf diese tropft.
- ▶ Wenn das Kühl-/Gefriergerät längere Zeit leer steht, das Gerät ausschalten, abtauen, reinigen und die Tür offen lassen, um Schimmelbildung zu vermeiden.

Teile im Gerät aus Metall oder mit Metalloptik können Aluminium enthalten. Wenn saure Lebensmittel mit Aluminium in Kontakt kommen, können Aluminiumionen in die Lebensmittel übergehen.

- ▶ Verunreinigte Lebensmittel nicht verzehren.

1.7 Beschädigtes Gerät

⚠ WARNUNG – Stromschlaggefahr!

Ein beschädigtes Gerät oder eine beschädigte Netzanschlussleitung ist gefährlich.

- ▶ Nie ein beschädigtes Gerät betreiben.
- ▶ Nie an der Netzanschlussleitung ziehen, um das Gerät vom Stromnetz zu trennen. Immer am Netzstecker der Netzanschlussleitung ziehen.
- ▶ Wenn das Gerät oder die Netzanschlussleitung beschädigt ist, sofort den Netzstecker der Netzanschlussleitung ziehen oder die Sicherung im Sicherungskasten ausschalten.
- ▶ Den Kundendienst rufen. → *Seite 60*

Unsachgemäße Reparaturen sind gefährlich.

- ▶ Nur dafür geschultes Fachpersonal darf Reparaturen am Gerät durchführen.
- ▶ Nur Original-Ersatzteile dürfen zur Reparatur des Geräts verwendet werden.

- ▶ Wenn die Netzanschlussleitung dieses Geräts beschädigt wird, muss sie durch den Hersteller oder seinen Kundendienst oder eine ähnlich qualifizierte Person ersetzt werden, um Gefährdungen zu vermeiden.

⚠ WARNUNG – Brandgefahr!



Bei Beschädigung der Rohre können brennbares Kältemittel und schädliche Gase austreten und sich entzünden.

- ▶ Feuer und Zündquellen vom Gerät fernhalten.
- ▶ Den Raum lüften.
- ▶ Das Gerät ausschalten. → *Seite 46*
- ▶ Den Netzstecker der Netzanschlussleitung ziehen oder die Sicherung im Sicherungskasten ausschalten.
- ▶ Den Kundendienst rufen. → *Seite 60*

2 Sachschäden vermeiden

ACHTUNG!

Das Verkanten der Geräterollen kann beim Verschieben des Geräts den Fußboden beschädigen.

- ▶ Das Gerät mit einer Sackkarre transportieren.
- ▶ Beim Verschieben des Geräts einen Fußbodenschutz verwenden und nicht im Zickzack bewegen.

Durch Benutzung der Sockel, Auszüge oder Gerätertüren als Sitzfläche oder Steigfläche kann das Gerät beschädigt werden.

- ▶ Nicht auf Sockel, Auszüge oder Türen treten oder darauf abstützen.

Durch Verschmutzungen mit Öl oder Fett können Kunststoffteile und Türdichtungen porös werden.

- ▶ Kunststoffteile und Türdichtungen öl- und fettfrei halten.

Teile im Gerät aus Metall oder mit Metall-Optik können Aluminium enthalten. Aluminium reagiert bei Kontakt mit sauren Lebensmitteln.

- ▶ Keine Lebensmittel unverpackt im Gerät lagern.

Wenn Sie Ausstattungsteile und Zubehör im Geschirrspüler reinigen, können sich diese verformen oder verfärben.

- ▶ Nie Ausstattungsteile und Zubehör im Geschirrspüler reinigen.

3 Umweltschutz und Sparen

3.1 Verpackung entsorgen

Die Verpackungsmaterialien sind umweltverträglich und wiederverwertbar.

- ▶ Die einzelnen Bestandteile getrennt nach Sorten entsorgen.

3.2 Energie sparen

Wenn Sie diese Hinweise beachten, verbraucht Ihr Gerät weniger Strom.

Wahl des Aufstellorts

- Das Gerät vor direkter Sonneneinstrahlung schützen.
- Das Gerät mit möglichst großem Abstand zu Heizkörpern, Herd und anderen Wärmequellen aufstellen:
 - 30 mm Abstand zu Elektro- oder Gasherden halten.
 - 300 mm Abstand zu Öl- oder Kohleherden halten.
- Einen kleinen seitlichen Wandabstand einhalten.
- Nie die äußeren Lüftungsöffnungen abdecken oder zustellen.

Energie sparen beim Gebrauch

Hinweis: Die Anordnung der Ausstattungsteile hat keinen Einfluss auf den Energieverbrauch des Geräts.

- Das Gerät nur kurz öffnen und sorgfältig schließen.
- Nie die inneren Belüftungsöffnungen oder die äußeren Lüftungsöffnungen abdecken oder zustellen.
- Gekaufte Lebensmittel in einer Kühltasche transportieren und schnell ins Gerät legen.
- Warme Lebensmittel und Getränke vor dem Einlagern abkühlen lassen.

de Aufstellen und Anschließen

- Um die Kälte des Gefrierguts zu nutzen, das Gefriergut zum Auftauen ins Kühlfach legen.
- Zwischen den Lebensmitteln und zur Rückwand immer etwas Platz lassen.

4 Aufstellen und Anschließen

4.1 Lieferumfang

Prüfen Sie nach dem Auspacken alle Teile auf Transportschäden und die Vollständigkeit der Lieferung. Bei Beanstandungen wenden Sie sich an Ihren Händler oder an unseren Kundendienst → Seite 60.

Die Lieferung besteht aus:

- Standgerät
- Ausstattung und Zubehör¹
- Montagematerial
- Montageanleitung
- Gebrauchsanleitung
- Kundendienstverzeichnis
- Garantiebeilage²
- Energielabel
- Informationen zu Energieverbrauch und Geräuschen

4.2 Kriterien für den Aufstellort

WARNUNG **Explosionsgefahr!**

Wenn das Gerät in einem zu kleinen Raum steht, kann bei einem Leck des Kältekreislaufs ein brennbares Gas-Luft-Gemisch entstehen.

- ▶ Das Gerät nur in einem Raum aufstellen, der mindestens ein Volumen von 1 m³ pro 8 g Kältemittel hat. Die Menge des Kältemittels steht auf dem Typenschild.

→ Abb. **1** / **6**

Das Gewicht des Geräts kann je nach Modell ab Werk bis zu 105 kg betragen.

Um das Gewicht des Geräts zu tragen, muss der Untergrund ausreichend stabil sein.

Zulässige Raumtemperatur

Die zulässige Raumtemperatur hängt von der Klimaklasse des Geräts ab. Die Klimaklasse steht auf dem Typenschild. → Abb. **1** / **6**

Klimaklasse	Zulässige Raumtemperatur
SN	10 °C...32 °C
N	16 °C...32 °C
ST	16 °C...38 °C
T	16 °C...43 °C

Das Gerät ist innerhalb der zulässigen Raumtemperatur voll funktionsfähig.

Wenn Sie ein Gerät der Klimaklasse SN bei kälteren Raumtemperaturen betreiben, können Beschädigungen

¹ Je nach Geräteausstattung

² Nicht in allen Ländern

am Gerät bis zu einer Raumtemperatur von 5 °C ausgeschlossen werden.

Over-and-Under- und Side-by-Side-Aufstellung

Wenn Sie 2 Kühlgeräte übereinander oder nebeneinander aufstellen wollen, müssen Sie zwischen den Geräten mindestens 150 mm Abstand halten. Für ausgewählte Geräte ist eine Aufstellung ohne Mindestabstand möglich. Fragen Sie dazu Ihren Fachhändler oder Küchenplaner.

4.3 Gerät montieren

- ▶ Das Gerät gemäß beiliegender Montageanleitung montieren.

4.4 Gerät für den ersten Gebrauch vorbereiten

1. Das Informationsmaterial entnehmen.
2. Die Schutzfolien und Transportsicherungen, z. B. Klebestreifen und Karton entfernen.
3. Das Gerät zum ersten Mal reinigen. → Seite 52

4.5 Gerät elektrisch anschließen

1. Den Netzstecker der Netzanschlussleitung des Geräts in eine Steckdose in der Nähe des Geräts stecken.
Die Anschlussdaten des Geräts stehen auf dem Typenschild.
→ Abb. **1**/**6**
2. Den Netzstecker auf festen Sitz prüfen.
- ✓ Das Gerät ist jetzt betriebsbereit.

5 Kennenlernen

5.1 Gerät

Hier finden Sie eine Übersicht über die Bestandteile Ihres Geräts.

→ Abb. **1**

A	Kühlfach → Seite 49
B	Gefrierfach → Seite 50
1	Bedienfeld → Seite 43
2	Beleuchtung
3	Flaschenablage → Seite 44
4	Innere Belüftungsöffnung
5	Temperaturregler (Lagerbehälter) → Seite 46
6	Typenschild → Seite 61
7	Lagerbehälter → Seite 44
8	Obst- und Gemüsebehälter mit Feuchtigkeitsregler → Seite 44
9	Gefriergutbehälter → Seite 53
10	Schraubfuß
11	Türabsteller für große Flaschen → Seite 45

Hinweis: Abweichungen zwischen Ihrem Gerät und den Abbildungen sind hinsichtlich Ausstattung und Größe möglich.

5.2 Bedienfeld

Über das Bedienfeld stellen Sie alle Funktionen Ihres Geräts ein und erhalten Informationen zum Betriebszustand.

→ Abb. **2**

-
- | | |
|----|--|
| 1 | Zeigt die eingestellte Temperatur des Kühlfachs in °C an. |
| 2 | —/+ stellt die Temperatur des Kühlfachs ein. |
| 3 | Alarm schaltet den Warnton aus. |
| 4 | Zeigt die eingestellte Temperatur des Gefrierfachs in °C an. |
| 5 | —/+ stellt die Temperatur des Gefrierfachs ein. |
| 6 | Super (Cooler) schaltet Super-Kühlen ein oder aus. |
| 7 | Fresh schaltet den Frische-Modus ein oder aus. |
| 8 | Eco schaltet den Energiesparmodus ein oder aus. |
| 9 | Vacation schaltet den Urlaubsmodus ein oder aus. |
| 10 | ⓁOn/Off schaltet das Gerät ein oder aus. |
| 11 | Super (Freezer) schaltet Super-Gefrieren ein oder aus. |
-

6 Ausstattung

Die Ausstattung Ihres Geräts ist modellabhängig.

6.1 Ablage

Um die Ablage nach Bedarf zu variieren, können Sie die Ablage entnehmen und an anderer Stelle wieder einsetzen.

→ "Ablage entnehmen", Seite 53

6.2 Flaschenablage

Lagern Sie Flaschen sicher auf der Flaschenablage.

Um die Flaschenablage nach Bedarf zu variieren, können Sie die Flaschenablage entnehmen und an anderer Stelle wieder einsetzen.

→ "Ablage entnehmen", Seite 53

6.3 Lagerbehälter

Im Lagerbehälter herrschen tiefere Temperaturen als im Kühlfach. Temperaturen unter 0 °C können zeitweise auftreten.

Nutzen Sie die tieferen Temperaturen im Lagerbehälter, um leicht verderbliche Lebensmittel zu lagern, z. B. Fisch, Fleisch und Wurst.

6.4 Obst- und Gemüsebehälter mit Feuchtigkeitsregler

Lagern Sie frisches Obst und Gemüse unverpackt im Obst- und Gemüsebehälter.

Angeschnittenes Obst und Gemüse abgedeckt oder luftdicht verpackt einlagern.

Über den Feuchtigkeitsregler und eine spezielle Abdichtung können Sie die Luftfeuchtigkeit im Obst- und Gemüsebehälter anpassen. Damit kön-

nen Sie frisches Obst und Gemüse bis zu zweimal länger einlagern als bei konventioneller Lagerung.

→ Abb. **3**

Die Luftfeuchtigkeit im Obst- und Gemüsebehälter nach Art und Menge der einzulagernden Lebensmittel durch Drücken des Feuchtigkeitsreglers einstellen:

- Niedrige Luftfeuchtigkeit Δ bei überwiegender Lagerung von Obst, Mischbeladung oder hoher Beladung.
- Hohe Luftfeuchtigkeit $\Delta\Delta\Delta$ bei überwiegender Lagerung von Gemüse oder geringer Beladung.

Je nach Lagermenge und Lagergut kann sich im Obst- und Gemüsebehälter Kondenswasser bilden.

Das Kondenswasser mit einem trockenen Tuch entfernen und eine niedrige Luftfeuchtigkeit über den Feuchtigkeitsregler einstellen. Damit die Qualität und das Aroma erhalten bleiben, lagern Sie kälteempfindliches Obst und Gemüse außerhalb des Geräts bei Temperaturen von ca. 8 °C bis 12 °C, z. B. Ananas, Bananen, Zitrusfrüchte, Gurken, Zucchini, Paprika, Tomaten und Kartoffeln.

6.5 Butter- und Käsefach

Lagern Sie Butter und Hartkäse im Butter- und Käsefach.

6.6 Türabsteller

Um den Türabsteller nach Bedarf zu variieren, können Sie den Türabsteller entnehmen und an anderer Stelle

wieder einsetzen.

→ "Türabsteller entnehmen", Seite 53

6.7 Zubehör

Verwenden Sie Originalzubehör. Es ist auf Ihr Gerät abgestimmt. Das Zubehör Ihres Geräts ist modellabhängig.

Eierablage

Lagern Sie Eier sicher auf der Eierablage.

Flaschenhalter

Der Flaschenhalter verhindert, dass Flaschen beim Öffnen und Schließen der Gerätetür kippen.

→ Abb. **4**

Eiswürfelschale

Nutzen Sie die Eiswürfelschale, um Eiswürfel herzustellen.

Eiswürfel herstellen

Verwenden Sie zur Herstellung von Eiswürfeln ausschließlich Trinkwasser.

1. Die Eiswürfelschale zu $\frac{3}{4}$ mit Trinkwasser füllen und in das Gefrierfach stellen.

Festgefrorene Eiswürfelschale nur mit stumpfem Gegenstand, z. B. Löffelstiel lösen.

2. Zum Lösen der Eiswürfel die Eiswürfelschale kurz unter fließendes Wasser halten oder leicht verwinden.

7 Grundlegende Bedienung

7.1 Gerät einschalten

1. Das Gerät elektrisch anschließen.
→ Seite 43
- ✓ Das Gerät beginnt zu kühlen.
- ✓ Ein Warnton ertönt, die Temperaturanzeige (Gefrierfach) blinkt und Alarm leuchtet, da das Gefrierfach noch zu warm ist.
2. Den Warnton mit Alarm ausschalten.
- ✓ Alarm erlischt, sobald die eingestellte Temperatur erreicht ist.
3. Die gewünschte Temperatur einstellen. → Seite 46

7.2 Hinweise zum Betrieb

- Wenn Sie das Gerät eingeschaltet haben, dauert es bis zu mehreren Stunden bis die eingestellte Temperatur erreicht wird.
Keine Lebensmittel einlegen, bevor die eingestellte Temperatur erreicht ist.
- Die Stirnseiten des Gehäuses werden zeitweise leicht beheizt. Dies verhindert Schwitzwasserbildung im Bereich der Türdichtung.
- Wenn Sie die Tür schließen, kann ein Unterdruck entstehen. Die Tür lässt sich nur schwer wieder öffnen. Warten Sie einen Moment, bis sich der Unterdruck ausgleicht.
- Die Temperatur im Gerät variiert durch folgende Bedingungen:
 - Häufigkeit der Geräteöffnungen
 - Beladungsmenge
 - Temperatur frisch eingelagerter Lebensmittel
 - Umgebungstemperatur
 - Direkte Sonneneinstrahlung

7.3 Gerät ausschalten

- ▶ Das Gerät vom Stromnetz trennen. Den Netzstecker der Netzanschlussleitung ziehen oder die Sicherung im Sicherungskasten ausschalten.

7.4 Temperatur einstellen

Kühlfachtemperatur einstellen

- ▶ So oft $-/+$ drücken, bis die Temperaturanzeige (Kühlfach) die gewünschte Temperatur zeigt.
Um die eingestellte Temperatur zu erreichen, den Temperaturregler des Lagebehälters auf $\frac{1}{3}$ -Stellung von unten schieben. → Seite 46
Die empfohlene Temperatur im Kühlfach beträgt $4\text{ }^{\circ}\text{C}$.

Lagerbehälter-Temperatur einstellen

1. Um die Temperatur zu verringern, den Temperaturregler in Richtung schieben.
2. Um die Temperatur zu erhöhen, den Temperaturregler in Richtung schieben.

→ Abb. **5**

Gefrierfachtemperatur einstellen

- ▶ So oft $-/+$ drücken, bis die Temperaturanzeige (Gefrierfach) die gewünschte Temperatur zeigt.
Die empfohlene Temperatur im Gefrierfach beträgt $-18\text{ }^{\circ}\text{C}$.

8 Zusatzfunktionen

Erfahren Sie, über welche einstellbaren Zusatzfunktionen Ihr Gerät verfügt.

8.1 Super-Kühlen

Beim Super-Kühlen kühlt das Kühlfach so kalt wie möglich. Schalten Sie Super-Kühlen vor dem Einlagern großer Lebensmittelmengen ein.

Hinweis: Wenn Super-Kühlen eingeschaltet ist, kann es zu vermehrten Geräuschen kommen.

Super-Kühlen einschalten

- ▶ Super (Cooler) drücken.
- ✓ Super (Cooler) leuchtet.

Hinweis: Nach ca. 6 Stunden schaltet das Gerät auf Normalbetrieb.

Super-Kühlen ausschalten

- ▶ Super (Cooler) drücken.
- ✓ Die zuvor eingestellte Temperatur wird angezeigt.

8.2 Automatisches Super-Gefrieren

Beim automatischen Super-Gefrieren kühlt das Gefrierfach deutlich kälter als im Normalbetrieb. Dadurch frieren die Lebensmittel schneller durch. Das automatische Super-Gefrieren schaltet sich ein, wenn Sie frische Lebensmittel von links beginnend in den untersten Gefriergutbehälter legen.

Wenn das automatische Super-Gefrieren eingeschaltet ist, leuchtet Super (Freezer) und vermehrte Geräusche können entstehen.

Das Gerät schaltet nach Ablauf von automatischem Super-Gefrieren auf Normalbetrieb.

Automatisches Super-Gefrieren abbrechen

- ▶ Super (Freezer) drücken.
- ✓ Die zuvor eingestellte Temperatur wird angezeigt.

8.3 Manuelles Super-Gefrieren

Beim Super-Gefrieren kühlt das Gefrierfach so kalt wie möglich. Schalten Sie Super-Gefrieren 4 bis 6 Stunden vor dem Einlagern einer Lebensmittelmenge ab 2 kg ins Gefrierfach ein.

Um das Gefriervermögen auszunutzen, verwenden Sie Super-Gefrieren. → *"Voraussetzungen für das Gefriervermögen", Seite 50*

Hinweis: Wenn Super-Gefrieren eingeschaltet ist, kann es zu vermehrten Geräuschen kommen.

Manuelles Super-Gefrieren einschalten

- ▶ Super (Freezer) drücken.
- ✓ Super (Freezer) leuchtet.

Hinweis: Nach ca. 60 Stunden schaltet das Gerät auf Normalbetrieb.

Manuelles Super-Gefrieren ausschalten

- ▶ Super (Freezer) drücken.
- ✓ Die zuvor eingestellte Temperatur wird angezeigt.

8.4 Urlaubsmodus

Wenn Sie länger abwesend sind, können Sie am Gerät den energiesparenden Urlaubsmodus einschalten.

VORSICHT

Gefahr von Gesundheitsschäden!

Während der Urlaubsmodus eingeschaltet ist, erwärmt sich das Kühlfach. Durch die erhöhte Temperatur können sich Bakterien vermehren und die Lebensmittel verderben.

- ▶ Bei eingeschaltetem Urlaubsmodus keine Lebensmittel im Kühlfach lagern.

Das Gerät stellt die Temperaturen automatisch um.

Kühlfach	6 °C
Gefrierfach	Temperatur unverändert

Urlaubsmodus einschalten

- ▶ Vacation drücken.
- ✓ Vacation leuchtet.

Urlaubsmodus ausschalten

- ▶ Vacation drücken.
- ✓ Die zuvor eingestellte Temperatur wird angezeigt.

8.5 Energiesparmodus

Mit dem Energiesparmodus schalten Sie das Gerät in den energiesparenden Betrieb um.

Das Gerät stellt die Temperaturen automatisch um.

Kühlfach	8 °C
Gefrierfach	-16 °C

Energiesparmodus einschalten

- ▶ Eco drücken.
- ✓ Eco leuchtet.

Energiesparmodus ausschalten

- ▶ Eco drücken.
- ✓ Die zuvor eingestellte Temperatur wird angezeigt.

8.6 Frischemodus

Um die Lebensmittel länger frisch zu halten, können Sie am Gerät den Frischemodus einschalten.

Das Gerät stellt die Temperaturen automatisch um.

Kühlfach	2 °C
Gefrierfach	Temperatur unverändert

Frischemodus einschalten

- ▶ Fresh drücken.
- ✓ Fresh leuchtet.

Frischemodus ausschalten

- ▶ Fresh drücken.
- ✓ Die zuvor eingestellte Temperatur wird angezeigt.

8.7 Sabbat-Modus

Damit Sie das Gerät auch am Sabbat nutzen können, schaltet der Sabbat-Modus alle nicht unbedingt benötigten Funktionen aus.

Während des Sabbat-Modus sind folgende Funktionen ausgeschaltet:

- Super-Kühlen
- Automatisches Super-Gefrieren und manuelles Super-Gefrieren
- Alarm
- Innenbeleuchtung
- Akustische Signale
- Meldungen im Bedienfeld

Hinweis: Während des Sabbat-Modus reduziert sich die Beleuchtung des Bedienfelds.

Sabbat-Modus einschalten

- ▶ Super (Freezer) 15 Sekunden gedrückt halten.

Hinweis: Nach ca. 80 Stunden schaltet das Gerät auf Normalbetrieb.

Sabbat-Modus ausschalten

- ▶ Super (Freezer) 15 Sekunden gedrückt halten.

9 Alarm**9.1 Türalarm**

Wenn die Gerätetür länger offen steht, schaltet sich der Türalarm ein. Ein Warnton ertönt und Alarm blinkt.

Türalarm ausschalten

- ▶ Die Gerätetür schließen oder Alarm drücken.
- ✓ Der Warnton ist ausgeschaltet.
- ✓ Alarm erlischt.

9.2 Temperaturalarm

Wenn es im Gefrierfach zu warm ist, schaltet sich der Temperaturalarm ein. Ein Warnton ertönt, die eingestellte Temperatur (Gefrierfach) und Alarm blinken.

⚠ VORSICHT**Gefahr von Gesundheitsschäden!**

Beim Auftauen können sich Bakterien vermehren und das Gefriergut kann verderben.

- ▶ An- oder aufgetautes Gefriergut nicht wieder einfrieren.
- ▶ Erst nach dem Kochen oder Braten erneut einfrieren.
- ▶ Die maximale Lagerdauer nicht mehr voll nutzen.

Der Temperaturalarm kann sich in folgenden Fällen einschalten:

- Das Gerät wird in Betrieb genommen.
Lebensmittel erst einlagern, wenn die eingestellte Temperatur erreicht ist.
- Große Mengen frischer Lebensmittel werden eingelegt.
Vor dem Einlagern großer Mengen Lebensmittel Super-Gefrieren einschalten.
- Die Gefrierfachtür ist zu lange geöffnet.
Prüfen, ob das Gefriergut an- oder aufgetaut ist.

Temperaturalarm ausschalten

- ▶ Alarm drücken.
- ✓ Der Warnton ist ausgeschaltet.
- ✓ Die Temperaturanzeige (Gefrierfach) zeigt kurz die wärmste Temperatur, die im Gefrierfach geherrscht hat. Danach zeigt die Temperaturanzeige (Gefrierfach) wieder die eingestellte Temperatur.
- ✓ Von diesem Zeitpunkt an wird die wärmste Temperatur neu ermittelt und gespeichert.
- ✓ Alarm leuchtet, bis die eingestellte Temperatur wieder erreicht ist.

10 Kühlfach

Im Kühlfach können Sie Fleisch, Wurst, Fisch, Milchprodukte, Eier, zubereitete Speisen und Backwaren aufbewahren.

Die Temperatur ist von 2 °C bis 8 °C einstellbar.

Durch die Kühlung können Sie auch leicht verderbliche Lebensmittel kurz- bis mittelfristig lagern. Je tiefer die gewählte Temperatur ist, desto länger bleiben die Lebensmittel frisch.

10.1 Tipps zum Einlagern von Lebensmitteln ins Kühlfach

- Nur frische und unversehrte Lebensmittel einlagern.
- Die Lebensmittel luftdicht verpackt oder abgedeckt einlagern.
- Um die Luftzirkulation nicht zu beeinträchtigen und das Gefrieren von Lebensmitteln zu vermeiden, die Lebensmittel nicht vor die inneren Belüftungsöffnungen oder mit direktem Kontakt an die Rückwand stellen.
- Warme Speisen und Getränke erst abkühlen lassen.
- Das vom Hersteller angegebene Mindesthaltbarkeitsdatum oder Verbrauchsdatum beachten.

10.2 Kältezonen im Kühlfach

Durch die Luftzirkulation im Kühlfach entstehen unterschiedliche Kältezonen.

Kälteste Zone

Die kälteste Zone ist im Lagerbehälter.

Tipp: Lagern Sie leicht verderbliche Lebensmittel in der kältesten Zone, z. B. Fisch, Wurst und Fleisch.

Wärmste Zone

Die wärmste Zone ist an der Tür ganz oben.

Tipp: Lagern Sie unempfindliche Lebensmittel in der wärmsten Zone, z. B. Hartkäse und Butter. Käse kann so sein Aroma weiter entfalten, die Butter bleibt streichfähig.

11 Gefrierfach

Im Gefrierfach können Sie Tiefkühlkost lagern, Lebensmittel einfrieren und Eiswürfel herstellen.

Die Temperatur ist von -16 °C bis -24 °C einstellbar.

Die langfristige Lagerung von Lebensmitteln sollte bei -18 °C oder darunter erfolgen.

Durch die Gefrierlagerung können Sie verderbliche Lebensmittel langfristig lagern. Die tiefen Temperaturen verlangsamen oder stoppen den Verderb.

11.1 Gefriervermögen

Das Gefriervermögen gibt an, welche Menge Lebensmittel in wie vielen Stunden bis zum Kern durchgefroren werden kann.

Angaben zum Gefriervermögen finden Sie auf dem Typenschild.

→ Abb. **1** / **6**

Voraussetzungen für das Gefriervermögen

1. Ca. 24 Stunden vor dem Einlegen frischer Lebensmittel, Super-Gefrieren einschalten.
→ *"Manuelles Super-Gefrieren einschalten"*, Seite 47
2. Die Lebensmittel zuerst in den untersten Gefriergutbehälter legen.

11.2 Gefrierfachvolumen vollständig nutzen

Erfahren Sie, wie Sie die maximale Menge an Gefriergut im Gefrierfach unterbringen.

1. Alle Ausstattungsteile im Gefrierfach entnehmen. → Seite 53
2. Die Lebensmittel direkt auf den Ablagen und dem Gefrierfachboden einlagern.

11.3 Tipps zum Einlagern von Lebensmitteln ins Gefrierfach

- Die Lebensmittel luftdicht verpackt einlagern.
- Einzufrierende Lebensmittel nicht mit gefrorenen Lebensmitteln in Berührung bringen.
- Die Lebensmittel großflächig in den Gefriergutbehältern verteilen.
- Damit die Luft ungehindert im Gerät zirkulieren kann, den Gefriergutbehälter bis zum Anschlag ein-schieben.

11.4 Tipps zum Einfrieren frischer Lebensmittel

- Nur frische und einwandfreie Lebensmittel einfrieren.
- Lebensmittel portionsweise einfrieren.
- Zubereitete Lebensmittel sind geeigneter als roh verzehrbare Lebensmittel.
- Gemüse vor dem Einfrieren waschen, zerkleinern und blanchieren.
- Obst vor dem Einfrieren waschen, entkernen und eventuell schälen, eventuell Zucker oder Ascorbinsäurelösung zufügen.
- Zum Einfrieren geeignete Lebensmittel sind z. B. Backwaren, Fisch und Meeresfrüchte, Fleisch, Wild und Geflügel, Eier ohne Schale, Käse, Butter, Quark, fertige Speisen und Speisereste.
- Zum Einfrieren ungeeignete Lebensmittel sind z. B. Blattsalate, Radieschen, Eier mit Schale, Weintrauben, rohe Äpfel und Birnen, Joghurt, saure Sahne, Crème Fraîche und Mayonnaise.

Gefriergut verpacken

Geeignetes Verpackungsmaterial und die richtige Art der Verpackung erhalten maßgeblich die Produktqualität und vermeiden Gefrierbrand.

1. Die Lebensmittel in die Verpackung einlegen.
2. Die Luft herausdrücken.
3. Die Verpackung luftdicht verschließen, damit die Lebensmittel den Geschmack nicht verlieren oder austrocknen.
4. Die Verpackung mit dem Inhalt und dem Einfrierdatum beschriften.

11.5 Haltbarkeit des Gefrier-guts bei $-18\text{ }^{\circ}\text{C}$

Lebensmittel	Lagerzeit
Fisch, Wurst, zubereitete Speisen, Backwaren	bis zu 6 Monate
Geflügel, Fleisch	bis zu 8 Monate
Gemüse, Obst	bis zu 12 Monate

Der aufgedruckte Gefrierkalender gibt die maximale Lagerdauer in Monaten bei einer durchgehenden Temperatur von $-18\text{ }^{\circ}\text{C}$ an.

11.6 Auftaumethoden für Gefriergut

VORSICHT

Gefahr von Gesundheitsschäden!

Beim Auftauen können sich Bakterien vermehren und das Gefriergut kann verderben.

- ▶ An- oder aufgetautes Gefriergut nicht wieder einfrieren.
- ▶ Erst nach dem Kochen oder Braten erneut einfrieren.
- ▶ Die maximale Lagerdauer nicht mehr voll nutzen.

de Abtauen

- Tierische Lebensmittel im Kühlfach auftauen, z. B. Fisch, Fleisch, Käse und Quark.
- Brot bei Raumtemperatur auftauen.
- Lebensmittel zum sofortigen Verzehr in der Mikrowelle, im Backofen oder auf dem Herd zubereiten.

12 Abtauen

12.1 Abtauen im Kühlfach

Das Kühlfach Ihres Geräts taut automatisch ab.

12.2 Abtauen im Gefrierfach

Durch das vollautomatische NoFrost-System bleibt das Gefrierfach frostfrei. Ein Abtauen ist nicht notwendig.

13 Reinigen und Pflegen

Damit Ihr Gerät lange funktionsfähig bleibt, reinigen und pflegen Sie es sorgfältig.

Die Reinigung von unzugänglichen Stellen muss durch den Kundendienst erfolgen. Die Reinigung durch den Kundendienst kann Kosten verursachen.

13.1 Gerät zum Reinigen vorbereiten

1. Das Gerät vom Stromnetz trennen.
Den Netzstecker der Netzanschlussleitung ziehen oder die Sicherung im Sicherungskasten ausschalten.
2. Alle Lebensmittel entnehmen und an einem kühlen Ort lagern.
Wenn vorhanden, Kälteakkus auf die Lebensmittel legen.

3. Alle Ausstattungsteile und Zubehörteile aus dem Gerät nehmen.
→ Seite 53
4. Die Ablage über dem Obst- und Gemüsebehälter ausbauen.
→ Seite 53

13.2 Gerät reinigen

WARNUNG **Stromschlaggefahr!**

Eindringende Feuchtigkeit kann einen Stromschlag verursachen.

- ▶ Keinen Dampfreiniger oder Hochdruckreiniger verwenden, um das Gerät zu reinigen.

Flüssigkeit in der Beleuchtung, in den Bedienelementen oder in den inneren Belüftungsöffnungen kann gefährlich sein.

- ▶ Das Spülwasser darf nicht in die Beleuchtung, in die Bedienelemente oder in die inneren Belüftungsöffnungen gelangen.

ACHTUNG!

Ungeeignete Reinigungsmittel können die Oberflächen des Geräts beschädigen.

- ▶ Keine harten Scheuerkissen oder Putzschwämme verwenden.
- ▶ Keine scharfen oder scheuernden Reinigungsmittel verwenden.
- ▶ Keine stark alkoholhaltigen Reinigungsmittel verwenden.

Wenn Sie Ausstattungsteile und Zubehör im Geschirrspüler reinigen, können sich diese verformen oder verfärben.

- ▶ Nie Ausstattungsteile und Zubehör im Geschirrspüler reinigen.
1. Das Gerät zum Reinigen vorbereiten. → Seite 52

2. Das Gerät, die Ausstattungsteile, die Zubehörteile und die Türdichtungen mit einem Spültuch, lauwarmer Wasser und etwas pH-neutralem Spülmittel reinigen.
3. Mit einem weichen, trockenen Tuch gründlich nachtrocknen.
4. Die Ausstattungsteile einsetzen und die Geräteteile einbauen.
5. Das Gerät elektrisch anschließen.
→ Seite 43
6. Die Lebensmittel einlegen.

13.3 Ausstattungsteile entnehmen

Wenn Sie die Ausstattungsteile gründlich reinigen wollen, entnehmen Sie diese aus Ihrem Gerät.

Ablage entnehmen

- ▶ Die Ablage herausziehen, anheben und entnehmen.
→ Abb. **6**

Türabsteller entnehmen

- ▶ Den Türabsteller anheben und entnehmen.
→ Abb. **7**

Lagerbehälter entnehmen

- ▶ Den Lagerbehälter vorn absenken ① und entnehmen ②.
→ Abb. **8**

Obst- und Gemüsebehälter entnehmen

1. Den Obst- und Gemüsebehälter bis zum Anschlag herausziehen.
2. Den Obst- und Gemüsebehälter vorn anheben ① und entnehmen ②.
→ Abb. **9**

Gefriergutbehälter entnehmen

1. Den Gefriergutbehälter bis zum Anschlag herausziehen.
2. Den Gefriergutbehälter vorn anheben ① und entnehmen ②.
→ Abb. **10**

Behälterfront abnehmen

Sie können die Behälterfront des Obst- und Gemüsebehälters zur besseren Reinigung abnehmen.

- ▶ Die seitlichen Schnapphaken des Behälters eindrücken ① und die Behälterfront durch eine Drehbewegung vom Behälter abnehmen ②.
→ Abb. **11**

13.4 Geräteteile ausbauen

Wenn Sie Ihr Gerät gründlich reinigen wollen, können Sie bestimmte Geräteteile aus Ihrem Gerät ausbauen.

Ablage über dem Obst- und Gemüsebehälter

Um die Abdeckung des Obst- und Gemüsebehälters gründlich zu reinigen, können Sie diese ausbauen.

Ablage über dem Obst- und Gemüsebehälter ausbauen

1. Den Obst- und Gemüsebehälter entnehmen. → Seite 53
2. Die Lagerbehälter entnehmen.
→ Seite 53
3. Die Ablage über dem Obst- und Gemüsebehälter seitlich kippen ① und entnehmen ②.
→ Abb. **12**
4. Die Obst- und Gemüsebehälter-Abdeckung anheben ① und entnehmen ②.
→ Abb. **13**

Ablage über dem Obst- und Gemüsebehälter einbauen

1. Die Obst- und Gemüsebehälter-Abdeckung einhängen.
→ Abb. **14**
2. Die Ablage über dem Obst- und Gemüsebehälter seitlich gekippt einsetzen ① und absenken ②.
→ Abb. **15**

3. Den Feuchtigkeitsregler in die vordere Position bringen.
→ Abb. **16**
Darauf achten, dass die Obst- und Gemüsebehälter-Abdeckung in der Öffnung unter dem Feuchtigkeitsregler sitzt.
4. Die Lagerbehälter und den Obst- und Gemüsebehälter einsetzen.
→ Abb. **17**

14 Störungen beheben

Kleinere Störungen an Ihrem Gerät können Sie selbst beheben. Nutzen Sie die Informationen zur Störungsbehebung, bevor Sie den Kundendienst kontaktieren. So vermeiden Sie unnötige Kosten.



WARNUNG

Stromschlaggefahr!

Unsachgemäße Reparaturen sind gefährlich.

- ▶ Nur dafür geschultes Fachpersonal darf Reparaturen am Gerät durchführen.
- ▶ Nur Original-Ersatzteile dürfen zur Reparatur des Geräts verwendet werden.
- ▶ Wenn die Netzanschlussleitung dieses Geräts beschädigt wird, muss sie durch den Hersteller oder seinen Kundendienst oder eine ähnlich qualifizierte Person ersetzt werden, um Gefährdungen zu vermeiden.

Störung	Ursache und Störungsbehebung
Gerät kühlt nicht, Anzeigen und Beleuchtung leuchten.	Ausstellungsmodus ist eingeschaltet. <ol style="list-style-type: none"> 1. Halten Sie Alarm 9 bis 11 Sekunden gedrückt, bis ein akustisches Signal ertönt. 2. Prüfen Sie nach kurzer Zeit, ob Ihr Gerät kühlt.
LED-Beleuchtung funktioniert nicht.	Unterschiedliche Ursachen sind möglich. <ul style="list-style-type: none"> ▶ Rufen Sie den Kundendienst. <p>Die Kundendienstnummer finden Sie im beiliegenden Kundendienstverzeichnis.</p>
Seitenwände des Geräts sind warm.	Kein Fehler. In Seitenwänden verlaufen Rohre, die sich während des Kühlvorgangs erhitzen. Möbel, die das Gerät berühren, werden durch die Wärme nicht beschädigt. Keine Handlung notwendig.
E oder d erscheint in der Temperaturanzeige.	Die Elektronik hat einen Fehler erkannt. <ol style="list-style-type: none"> 1. Schalten Sie das Gerät aus. → <i>Seite 46</i> 2. Trennen Sie das Gerät vom Stromnetz. Ziehen Sie den Netzstecker der Netzanschlussleitung oder schalten Sie die Sicherung im Sicherungskasten aus. 3. Schließen Sie das Gerät nach 5 Minuten wieder an. 4. Wenn die Meldung im Display immer noch erscheint, rufen Sie den Kundendienst. <p>Die Kundendienstnummer finden Sie im beiliegenden Kundendienstverzeichnis.</p>

Störung	Ursache und Störungsbehebung
Warnton ertönt und Alarm blinkt. Türalarm ist eingeschaltet.	Gerätetür ist offen. ▶ Schließen Sie die Gerätetür.
Warnton ertönt, Temperaturanzeige (Gefrierfach) und Alarm blinken. Temperaturalarm ist eingeschaltet.	Unterschiedliche Ursachen sind möglich. 1. Drücken Sie Alarm. ✓ Der Alarm wird ausgeschaltet. 2. Prüfen Sie nach einigen Stunden, ob die eingestellte Temperatur im Gefrierfach wieder erreicht ist. Äußere Lüftungsöffnungen sind verdeckt. ▶ Entfernen Sie Hindernisse vor den äußeren Lüftungsöffnungen. Größere Mengen frischer Lebensmittel wurden eingelegt. ▶ Schalten Sie Super-Gefrieren vor dem Einlegen einer größeren Lebensmittelmenge ein. → <i>"Manuelles Super-Gefrieren einschalten"</i> , Seite 47

Störung	Ursache und Störungsbehebung
Eingestellte Temperatur wird nicht erreicht. Vollautomatische Abtauung funktioniert nicht mehr.	<p data-bbox="372 156 1050 240">Gefrierfachtür war lange Zeit geöffnet. Verdampfer (Kälteerzeuger) im NoFrost-System ist sehr stark vereist.</p> <p data-bbox="372 248 1050 309">Voraussetzung: Das Gefriergut ist gut isoliert an einem kühlen Ort gelagert.</p> <ol data-bbox="372 320 1050 906" style="list-style-type: none"> <li data-bbox="372 320 1050 347">1. Schalten Sie das Gerät aus. → Seite 46 <li data-bbox="372 352 1050 472">2. Trennen Sie das Gerät vom Stromnetz. Ziehen Sie den Netzstecker der Netzanschlussleitung oder schalten Sie die Sicherung im Sicherungskasten aus. <li data-bbox="372 477 1050 504">3. Rücken Sie das Gerät von der Wand weg. <li data-bbox="372 509 1050 536">4. Lassen Sie die Gerätetür offen. <li data-bbox="372 541 1050 660">✓ Nach ca. 20 Minuten beginnt das Tauwasser in die Verdunstungsschale auf der Geräterückseite zu laufen. → Abb. 18 <li data-bbox="372 665 1050 817">5. Um ein Überlaufen der Verdunstungsschale zu vermeiden, saugen Sie das Tauwasser mit einem Schwamm auf. Der Verdampfer ist abgetaut, wenn kein Tauwasser mehr in die Verdunstungsschale läuft. <li data-bbox="372 821 1050 874">6. Reinigen Sie den Innenraum des Geräts. → Seite 52 <li data-bbox="372 879 1050 906">7. Schalten Sie das Gerät wieder ein. → Seite 46
Temperatur weicht stark von der Einstellung ab.	<p data-bbox="372 922 1050 949">Unterschiedliche Ursachen sind möglich.</p> <ol data-bbox="372 954 1050 1161" style="list-style-type: none"> <li data-bbox="372 954 1050 981">1. Schalten Sie das Gerät aus. → Seite 46 <li data-bbox="372 986 1050 1161">2. Schalten Sie das Gerät nach ca. 5 Minuten wieder ein. → Seite 46 <ul data-bbox="404 1050 1050 1161" style="list-style-type: none"> <li data-bbox="404 1050 1050 1102">– Wenn die Temperatur zu warm ist, prüfen Sie die Temperatur nach ein paar Stunden erneut. <li data-bbox="404 1107 1050 1161">– Wenn die Temperatur zu kalt ist, prüfen Sie die Temperatur am Folgetag erneut.
Auf der Geräteoberfläche und den Ablagen im Gerät bildet sich Kondenswasser.	<p data-bbox="372 1177 1050 1230">Das in warmer und feuchter Luft enthaltene Wasser kondensiert an den kälteren Oberflächen des Geräts.</p> <ol data-bbox="372 1235 1050 1383" style="list-style-type: none"> <li data-bbox="372 1235 1050 1287">1. Wischen Sie das Wasser mit einem weichen, trockenen Tuch ab. <li data-bbox="372 1292 1050 1319">2. Öffnen Sie das Gerät so kurz wie möglich. <li data-bbox="372 1324 1050 1383">3. Achten Sie darauf, dass das Gerät immer richtig geschlossen ist.

Störung	Ursache und Störungsbehebung
Gerät brummt, blubbert, surrt, gurgelt, klickt oder knackt.	Kein Fehler. Ein Motor läuft, z. B. Kälteaggregat, Ventilator. Kältemittel fließt durch die Rohre. Motor, Schalter oder Magnetventile schalten ein oder aus. Automatische Abtauung erfolgt. Keine Handlung notwendig.
Gerät macht Geräusche.	Gerät steht uneben. ▶ Richten Sie das Gerät mit Hilfe einer Wasserwaage und den Schraubfüßen aus.
	Gerät ist nicht freistehend. ▶ Halten Sie die Mindestabstände des Geräts ein.
	Ausstattungsteile wackeln oder klemmen. ▶ Prüfen Sie die entnehmbaren Ausstattungsteile und setzen Sie diese eventuell neu ein.
	Flaschen oder Gefäße berühren sich. ▶ Rücken Sie die Flaschen oder Gefäße auseinander.
	Super-Gefrieren ist eingeschaltet. Keine Handlung notwendig.

14.1 Stromausfall

Während eines Stromausfalls steigt die Temperatur im Gerät, dadurch verkürzt sich die Lagerzeit und die Qualität des Gefrierguts verringert sich.

Auf unserer Webseite zu Ihrem Gerät finden Sie in den technischen Daten die Lagerzeit des Gefrierguts bei einer Störung.

Hinweise

- Das Gerät während eines Stromausfalls möglichst wenig öffnen und keine weiteren Lebensmittel einlagern.
- Die Qualität der Lebensmittel unmittelbar nach dem Stromausfall überprüfen.
 - Gefriergut, das angetaut und wärmer als 5 °C ist, entsorgen.
 - Leicht angetautes Gefriergut kochen oder braten und entweder verzehren oder wieder einfrieren.

14.2 Geräteselbsttest durchführen

Ihr Gerät verfügt über einen Geräteselbsttest, der Störungen anzeigt, die Ihr Kundendienst beheben kann.

1. Das Gerät vom Stromnetz trennen.
Den Netzstecker der Netzanschlussleitung ziehen oder die Sicherung im Sicherungskasten ausschalten.
 2. Das Gerät nach 5 Minuten wieder elektrisch anschließen. → *Seite 43*
 3. Innerhalb von 10 Sekunden nach dem elektrischen Anschluss **Super** für 3 bis 5 Sekunden gedrückt halten, bis ein akustisches Signal ertönt.
- ✓ Der Geräteselbsttest startet.

- ✓ Während des Geräteselbsttests ertönt zwischendurch ein langes akustisches Signal.
- ✓ Wenn nach Ende des Geräteselbsttests 2 akustische Signale ertönen und die Temperaturanzeige die eingestellte Temperatur zeigt, ist Ihr Gerät in Ordnung. Das Gerät geht in den Normalbetrieb über.
- ✓ Wenn nach dem Ende des Geräteselbsttests 5 akustische Signale ertönen und **Super** für 10 Sekunden blinkt, den Kundendienst benachrichtigen.

15 Lagern und Entsorgen

15.1 Gerät außer Betrieb nehmen

1. Das Gerät vom Stromnetz trennen.
Den Netzstecker der Netzanschlussleitung ziehen oder die Sicherung im Sicherungskasten ausschalten.
2. Alle Lebensmittel entnehmen.
3. Das Gerät reinigen. → *Seite 52*
4. **ACHTUNG!** Zwischen die Tür und das Gehäuse geklemmte Gegenstände können das Türscharnier beschädigen.
 - ▶ Die Tür öffnen, bis sie selbstständig offenbleibt.
 - ▶ Keine Gegenstände zwischen die Tür und das Gehäuse klemmen.
Um die Belüftung des Innenraums sicherzustellen, das Gerät geöffnet lassen.

15.2 Altgerät entsorgen

Durch umweltgerechte Entsorgung können wertvolle Rohstoffe wiederverwendet werden.

WARNUNG

Gefahr von Gesundheitsschäden!

Kinder können sich im Gerät einsperren und in Lebensgefahr geraten.

- ▶ Um Kindern das Hineinklettern zu erschweren, Ablagen und Behälter nicht aus dem Gerät nehmen.
- ▶ Kinder vom ausgedienten Gerät fernhalten.

WARNUNG

Brandgefahr!

Bei Beschädigung der Rohre können brennbares Kältemittel und schädliche Gase austreten und sich entzünden.

- ▶ Nicht die Rohre des Kältemittel-Kreislaufs und die Isolierung beschädigen.

1. Den Netzstecker der Netzanschlussleitung ziehen.
2. Die Netzanschlussleitung durchtrennen.
3. Das Gerät umweltgerecht entsorgen.

Informationen über aktuelle Entsorgungswege erhalten Sie bei Ihrem Fachhändler sowie Ihrer Gemeinde- oder Stadtverwaltung.



Dieses Gerät ist entsprechend der europäischen Richtlinie 2012/19/EU über Elektro- und Elektronikaltgeräte (waste

electrical and electronic equipment – WEEE) gekennzeichnet.

Die Richtlinie gibt den Rahmen für eine EU-weit gültige Rücknahme und Verwertung der Altgeräte vor.

16 Kundendienst

Funktionsrelevante Original-Ersatzteile gemäß der entsprechenden Ökodesign-Verordnung erhalten Sie bei unserem Kundendienst für die Dauer von mindestens 10 Jahren ab dem Inverkehrbringen Ihres Geräts innerhalb des Europäischen Wirtschaftsraums.

Hinweis: Der Einsatz des Kundendienstes ist im Rahmen der jeweils lokal geltenden Herstellergarantiebedingungen kostenlos. Die Mindestdauer der Garantie (Herstellergarantie für Privatverbraucher) im Europäischen Wirtschaftsraum beträgt 2 Jahre gemäß den geltenden lokalen Garantiebedingungen. Die Garantiebedingungen haben keine Auswirkungen auf andere Rechte oder Ansprüche, die Ihnen nach lokalem Recht zustehen.

Detaillierte Informationen über die Garantiedauer und die Garantiebedingungen in Ihrem Land erhalten Sie bei unserem Kundendienst, Ihrem Händler oder auf unserer Website. Wenn Sie den Kundendienst kontaktieren, benötigen Sie die Erzeugnisnummer (E-Nr.) und die Fertigungsnummer (FD) Ihres Geräts.

Die Kontaktdaten des Kundendienstes finden Sie im beiliegenden Kundendienstverzeichnis oder auf unserer Website.

16.1 Erzeugnisnummer (E-Nr.) und Fertigungsnummer (FD)

Die Erzeugnisnummer (E-Nr.) und die Fertigungsnummer (FD) finden Sie auf dem Typenschild des Geräts.

→ Abb. **1** / **6**

Um Ihre Gerätedaten und die Kundendienst-Telefonnummer schnell wiederzufinden, können Sie die Daten notieren.

17 Technische Daten

Kältemittel, Nutzinhalt und weitere technische Angaben befinden sich auf dem Typenschild.

→ Abb. **1** / **6**

Dieses Produkt enthält eine Lichtquelle der Energie-Effizienzklasse F. Die Lichtquelle ist als Ersatzteil verfügbar und nur durch dafür geschultes Fachpersonal auszutauschen.

Weitere Informationen zu Ihrem Modell finden Sie im Internet unter <https://eprel.ec.europa.eu/>¹. Diese Webadresse verlinkt auf die offizielle EU-Produktdatenbank EPREL. Bitte folgen Sie dann den Anweisungen der Modellsuche. Die Modellkennung ergibt sich aus den Zeichen vor dem Schrägstrich der Erzeugnisnummer (E-Nr.) auf dem Typenschild. Alternativ finden Sie die Modellkennung auch in der ersten Zeile des EU-Energielabels.

¹ Gilt nur für Länder im Europäischen Wirtschaftsraum

Pour plus d'informations, veuillez vous reporter au Guide de l'utilisateur numérique.



Table des matières

1 Sécurité.....	64		
1.1 Indications générales	64	6.4 Bac à fruits et légumes avec régulateur d'humidité	75
1.2 Utilisation conforme.....	64	6.5 Casier à beurre et à fromage..	75
1.3 Restrictions du périmètre utilisateurs	64	6.6 Compartiment dans la contreporte	75
1.4 Prescriptions-d'hygiène-alimentaire.....	65	6.7 Accessoires.....	75
1.5 Transport sûr	65	7 Utilisation	76
1.6 Installation sûre	66	7.1 Allumer l'appareil	76
1.7 Utilisation sûre.....	67	7.2 Remarques concernant le fonctionnement de l'appareil...	76
1.8 Appareil endommagé.....	69	7.3 Éteindre l'appareil.....	76
2 Prévenir les dégâts matériels... 71		7.4 Régler la température	76
3 Protection de l'environnement et économies d'énergie ... 71		8 Fonctions additionnelles	77
3.1 Élimination de l'emballage	71	8.1 Super-réfrigération	77
3.2 Économies d'énergie	71	8.2 Super-congélation automatique.....	77
4 Installation et branchement..... 72		8.3 Fonction Super-congélation manuel.....	77
4.1 Contenu de la livraison	72	8.4 Mode Vacances	78
4.2 Critères pour le lieu d'installation	72	8.5 Mode économie d'énergie	78
4.3 Monter l'appareil.....	73	8.6 Mode Fraîcheur	78
4.4 Préparation de l'appareil pour la première utilisation.....	73	8.7 Mode Sabbat.....	79
4.5 Raccordement électrique de l'appareil.....	73	9 Alarme.....	79
5 Description de l'appareil..... 73		9.1 Alarme de porte	79
5.1 Appareil	73	9.2 Alarme de température	79
5.2 Bandeau de commande	74	10 Compartiment réfrigération 80	
6 Équipement	74	10.1 Conseils pour ranger des produits alimentaires dans le compartiment réfrigération.....	80
6.1 Clayette.....	74	10.2 Zones froides dans le compartiment réfrigération.....	80
6.2 Support-crochet pour bouteilles	74		
6.3 Bac de rangement.....	74		

11 Compartiment congélation.....	81
11.1 Capacité de congélation	81
11.2 Utiliser l'intégralité du volume du compartiment congélation.....	81
11.3 Conseils pour ranger des aliments dans le compartiment congélation.....	81
11.4 Conseils pour congeler des aliments frais	81
11.5 Durée de conservation du produit congelé à -18 °C.....	82
11.6 Méthodes de décongélation pour aliments congelés..	82
12 Dégivrage	83
12.1 Dégivrage du compartiment réfrigérateur.....	83
12.2 Décongélation dans le compartiment congélation.....	83
13 Nettoyage et entretien	83
13.1 Préparer l'appareil pour le nettoyage.....	83
13.2 Nettoyage de l'appareil	83
13.3 Retirer les pièces d'équipement.....	84
13.4 Démontage des pièces de l'appareil	84
14 Dépannage	86
14.1 Panne de courant.....	90
14.2 Effectuer l'auto-test de l'appareil.....	90
15 Entreposage et élimination	90
15.1 Mise hors service de l'appareil.....	90
15.2 Mettre au rebut un appareil usagé.....	91
16 Service après-vente	91
16.1 Numéro de produit (E-Nr) et numéro de fabrication (FD).....	92
17 Caractéristiques techniques ..	92



1 Sécurité

Respectez les consignes de sécurité suivantes.

1.1 Indications générales

- Lisez attentivement cette notice.
- Conservez la notice ainsi que les informations produit en vue d'une réutilisation ultérieure ou pour un futur nouveau propriétaire.
- Ne branchez pas l'appareil si ce dernier a été endommagé durant le transport.

1.2 Utilisation conforme

Utilisez l'appareil uniquement :

- pour réfrigérer et congeler des aliments, et pour préparer des glaçons.
- pour un usage privé et dans les pièces fermées d'un domicile.
- jusqu'à une altitude maximale de 2 000 m au-dessus du niveau de la mer.

1.3 Restrictions du périmètre utilisateurs

Les enfants de 8 ans et plus, les personnes souffrant d'un handicap physique, sensoriel ou mental ou ne détenant pas l'expérience et/ou les connaissances nécessaires pourront utiliser cet appareil à condition de le faire sous surveillance, ou que son utilisation sûre leur ait été enseignée et qu'ils aient compris les dangers qui en émanent.

Les enfants ne sont pas autorisés à jouer avec l'appareil.

Le nettoyage de l'appareil, et l'entretien par l'utilisateur, sont des activités que les enfants ne peuvent pas effectuer sans surveillance.

Les enfants à partir de 3 ans et ceux âgés de moins de 8 ans peuvent charger et décharger l'appareil de réfrigération/congélation.

1.4 Prescriptions-d'hygiène-alimentaire

Conformément à la réglementation française visant à empêcher la présence de listeria dans le compartiment réfrigérateur, nous vous remercions de respecter les consignes suivantes.

- Nettoyez fréquemment le compartiment intérieur du réfrigérateur à l'aide d'un détergent non agressif, ne provoquant pas d'oxydation des pièces métalliques (utilisez par ex. de l'eau tiède additionnée d'un peu de produit à vaisselle).
Ensuite, désinfectez avec de l'eau additionnée de vinaigre ou de jus de citron les surfaces que vous avez préalablement nettoyées, ou utilisez un produit germicide en vente dans le commerce et adapté aux réfrigérateurs (avant d'utiliser ce produit sur les pièces métalliques, faites un test de compatibilité à un endroit peu visible).
- Enlevez les emballages commerciaux avant de mettre les produits alimentaires dans le compartiment réfrigérateur (par ex. le carton qui réunit les pots de yaourt).
- Pour éviter toute contamination entre des produits alimentaires de nature différente, rangez-les bien séparés les uns des autres, bien emballés ou rangés dans des récipients à couvercle.
- Avant de préparer des plats et de saisir des produits alimentaires, lavez-vous les mains. Avant de préparer d'autres plats, lavez-vous à nouveau les mains. Lavez-les encore une fois avant de prendre un repas.
- Lavez les ustensiles de cuisine dont vous venez de vous servir avant de les réutiliser (cuillère en bois, planche de découpe, couteau de cuisine, etc.).

1.5 Transport sûr

AVERTISSEMENT – Risque de blessure !

Le soulèvement du poids élevé de l'appareil peut entraîner des blessures.

- ▶ Ne soulevez jamais seul l'appareil.

1.6 Installation sûre

⚠ AVERTISSEMENT – Risque d'électrocution !

Les installations non conformes sont dangereuses.

- ▶ Pour le raccordement et l'utilisation de l'appareil, respectez impérativement les indications figurant sur la plaque signalétique.
- ▶ L'appareil doit être branché uniquement à une source d'alimentation avec courant alternatif à l'aide d'une prise murale correctement installée et reliée à la terre.
- ▶ Le système à conducteur de protection de l'installation électrique de la maison doit être conforme.
- ▶ N'alimentez jamais l'appareil par l'intermédiaire d'un appareil de commutation externe, par ex. une minuterie ou une télécommande.
- ▶ Si l'appareil est encastré, la fiche du cordon d'alimentation secteur doit être librement accessible ou, si un accès libre est impossible, un dispositif de sectionnement doit être installé dans l'installation électrique fixe, conformément aux réglementations d'installation.
- ▶ Lors de l'installation de l'appareil, veiller à ce que le cordon d'alimentation secteur ne soit pas coincé ni endommagé.

Le cordon d'alimentation pose un danger si sa gaine de protection est endommagée.

- ▶ Ne mettez jamais en contact le cordon d'alimentation avec des sources de chaleur.

⚠ AVERTISSEMENT – Risque d'explosion !

Si les orifices de ventilation de l'appareil sont fermés, un mélange gaz-air inflammable peut se produire si le circuit de réfrigération fuit.

- ▶ Ne fermez pas les orifices de ventilation dans le boîtier de l'appareil ou dans le boîtier d'installation.

⚠ AVERTISSEMENT – Risque d'incendie !

Il est dangereux d'utiliser un cordon d'alimentation secteur avec une rallonge ou un adaptateur non autorisé.

- ▶ Ne pas utiliser de rallonge ni de bloc multiprise.

- ▶ Utiliser uniquement des adaptateurs et cordons d'alimentation secteur agréés par le fabricant.
- ▶ Si le cordon d'alimentation secteur est trop court et qu'aucun cordon d'alimentation plus long n'est disponible, contacter un électricien spécialisé pour adapter l'installation domestique.

Les blocs multiprises ou blocs secteur mobiles peuvent surchauffer et provoquer un incendie.

- ▶ Ne placez pas les blocs multiprises ou blocs secteur mobiles à l'arrière des appareils.

1.7 Utilisation sûre

⚠ AVERTISSEMENT – Risque d'électrocution !

L'infiltration d'humidité peut occasionner un choc électrique.

- ▶ Utiliser l'appareil uniquement dans des pièces fermées.
- ▶ Ne jamais exposer l'appareil à une forte chaleur ou humidité.
- ▶ Ne pas utiliser de nettoyeur vapeur ou haute pression pour nettoyer l'appareil.

⚠ AVERTISSEMENT – Risque d'asphyxie !

Les enfants risquent de s'envelopper dans les matériaux d'emballage ou de les mettre sur la tête et de s'étouffer.

- ▶ Conserver les matériaux d'emballage hors de portée des enfants.
- ▶ Ne jamais laisser les enfants jouer avec les emballages.

Les enfants risquent d'inhaler ou d'avalier des petits morceaux et s'étouffer.

- ▶ Conserver les petites pièces hors de portée des enfants.
- ▶ Ne pas laisser les enfants jouer avec les petites pièces.

⚠ AVERTISSEMENT – Risque d'explosion !

L'endommagement du circuit de réfrigération peut provoquer la fuite et l'explosion du fluide frigorigène inflammable.

- ▶ Pour accélérer le dégivrage, n'utilisez pas d'autres équipements mécaniques ou d'autres produits que ceux recommandés par le fabricant.
- ▶ Détachez les aliments congelés à l'aide d'un objet émoussé, par exemple le manche d'une cuillère en bois.

Des produits contenant des gaz propulseurs inflammables et des matières explosives peuvent exploser, par ex. bombes aérosols.

- ▶ Ne pas stocker de produits contenant des gaz propulseurs inflammables et des matières explosives dans l'appareil.

⚠ AVERTISSEMENT – Risque d'incendie !

Les appareils électriques à l'intérieur de l'appareil peuvent provoquer un incendie, par ex. appareils de chauffage ou fabriques de glace électriques.

- ▶ N'utilisez aucun appareil électrique à l'intérieur de l'appareil.

⚠ AVERTISSEMENT – Risque de blessure !

Les récipients contenant des boissons gazeuses risquent d'éclater.

- ▶ Ne jamais ranger de boissons gazeuses dans le compartiment congélation.

Lésions oculaires dues à la fuite de fluide frigorigène inflammable et de gaz nocifs.

- ▶ Veillez à ne pas endommager les tubulures du circuit frigorigère, ni l'isolant.

L'appareil peut basculer.

- ▶ Ne jamais se servir du socle, des glissières ou des portes comme marchepied et ne pas s'appuyer dessus.

⚠ AVERTISSEMENT – Risque de brûlures !

Certaines pièces à l'arrière de l'appareil deviennent très chaudes en service.

- ▶ Ne touchez jamais les pièces chaudes.

⚠ AVERTISSEMENT – Risque de brûlures par le froid !

Un contact avec les produits congelés et les surfaces froides peut entraîner des brûlures par le froid.

- ▶ Ne portez jamais des produits surgelés à la bouche immédiatement après les avoir sortis du compartiment congélation.
- ▶ Évitez tout contact prolongé de la peau avec les produits congelés, la glace et les surfaces métalliques présents dans le compartiment congélation.

⚠ PRUDENCE – Risque de préjudice pour la santé !

Pour éviter toute contamination des produits alimentaires, respecter les instructions suivantes.

- ▶ L'ouverture prolongée de la porte peut entraîner une importante augmentation de la température dans les compartiments de l'appareil.
- ▶ Nettoyer régulièrement les surfaces qui peuvent entrer en contact avec des produits alimentaires et systèmes d'écoulement accessibles.
- ▶ Conserver la viande et le poisson crus dans des récipients appropriés dans le compartiment réfrigération de sorte qu'ils ne soient pas en contact avec d'autres aliments et qu'ils ne coulent pas dessus.
- ▶ Si le réfrigérateur/congélateur reste vide pendant une longue période, éteindre l'appareil, le dégivrer, le nettoyer et laisser la porte ouverte, afin d'éviter la formation de moisissures.

Les pièces métalliques ou d'aspect métallique de l'appareil peuvent contenir de l'aluminium. Si des aliments acides entrent en contact avec de l'aluminium, des ions d'aluminium peuvent être transférés dans les aliments.

- ▶ Ne consommez pas les aliments contaminés.

1.8 Appareil endommagé

⚠ AVERTISSEMENT – Risque d'électrocution !

Un appareil endommagé ou un cordon d'alimentation secteur endommagé est dangereux.

- ▶ N'utilisez jamais un appareil endommagé.
- ▶ Ne tirez jamais sur le cordon d'alimentation secteur pour débrancher l'appareil du secteur. Débranchez toujours la fiche du cordon d'alimentation secteur.
- ▶ Si l'appareil ou le cordon d'alimentation secteur est endommagé, débranchez immédiatement le cordon d'alimentation secteur ou coupez le fusible dans le boîtier à fusibles.
- ▶ Appelez le service après-vente. → *Page 91*

Les réparations non conformes sont dangereuses.

- ▶ Seul un personnel dûment qualifié peut entreprendre des réparations sur l'appareil.
- ▶ Seules des pièces de rechange d'origine peuvent être utilisées pour réparer l'appareil.
- ▶ Afin d'écartier tout danger quand le cordon d'alimentation secteur de cet appareil est endommagé, seul le fabricant ou son service après-vente ou toute autre personne de qualification équivalente est habilité à le remplacer.

⚠ AVERTISSEMENT – Risque d'incendie !



En cas d'endommagement des tuyaux, du fluide frigorigène inflammable et des gaz nocifs peuvent s'échapper et s'enflammer.

- ▶ Éloigner de l'appareil toute flamme ou source d'inflammation.
- ▶ Aérer la pièce.
- ▶ Éteindre l'appareil. → *Page 76*
- ▶ Débrancher la fiche secteur du cordon d'alimentation secteur ou désactiver le fusible dans le boîtier à fusibles.
- ▶ Appeler le service après-vente. → *Page 91*

2 Prévenir les dégâts matériels

ATTENTION !

Le basculement des roulettes de l'appareil peut endommager le sol lors du déplacement de l'appareil.

- ▶ Transportez l'appareil avec un diable.
- ▶ Lorsque vous déplacez l'appareil, protégez le sol et ne faites pas de zigzags.

L'utilisation du socle, des glissières ou des portes de l'appareil comme surface d'assise ou comme marchepied peut endommager l'appareil.

- ▶ Ne jamais se servir du socle, des glissières ou des portes comme marchepied et ne pas s'appuyer dessus.

En cas de salissures provenant d'huile ou de graisse, des pièces en matière plastique et les joints de porte peuvent devenir poreux.

- ▶ Veiller à ce que les pièces en matière plastique et les joints de porte restent exempts d'huile et de graisse.

Les pièces métalliques ou d'aspect métallique de l'appareil peuvent contenir de l'aluminium. L'aluminium réagit en contact avec les aliments acides.

- ▶ Ne stockez pas d'aliments non emballés dans l'appareil.

Si vous nettoyez les pièces d'équipement et les accessoires au lave-vaisselle, ceux-ci risquent de se déformer ou de déteindre.

- ▶ Ne nettoyez jamais les équipements et accessoires au lave-vaisselle.

3 Protection de l'environnement et économies d'énergie

3.1 Élimination de l'emballage

Les emballages sont écologiques et recyclables.

- ▶ Veuillez éliminer les pièces détachées après les avoir triées par matière.



Éliminez l'emballage en respectant l'environnement.

3.2 Économies d'énergie

Si vous respectez les instructions suivantes, votre appareil consommera moins de courant.

Choix du lieu d'installation

- Protégez l'appareil de la lumière directe du soleil.
- Installez l'appareil aussi loin que possible des radiateurs, des cuisinières et des autres sources de chaleur :
 - Respecter une distance de 30 mm par rapport aux cuisinières électriques ou à gaz.
 - Respectez une distance de 300 mm par rapport à un appareil de chauffage au fuel ou au charbon.
- Respectez une petite distance latérale au mur.
- Ne recouvrez et ne bouchez jamais les orifices de ventilation extérieurs.

Économiser de l'énergie lors de l'utilisation

Remarque : La disposition des pièces d'équipement n'a aucune influence sur la consommation d'énergie de l'appareil.

- N'ouvrez que brièvement l'appareil et fermez-le avec précaution.
- Ne recouvrez et n'obstruez jamais les grilles de ventilation intérieures ni les orifices de ventilation extérieurs.
- Transportez les aliments achetés dans un sac isotherme et rangez-les rapidement dans l'appareil.
- Attendez que les aliments et les boissons chaudes refroidissent avant de les ranger.
- Pour profiter du froid des produits congelés, placez les produits à décongeler dans le compartiment réfrigération.
- Laissez toujours un peu de place entre les aliments et la paroi arrière.

4 Installation et branchement

4.1 Contenu de la livraison

Après avoir déballé le produit, inspectez toutes les pièces pour détecter d'éventuels dégâts dus au transport et vous assurer de l'intégralité de la livraison.

En cas de réclamation, veuillez vous adresser à votre revendeur ou à notre service après-vente
→ Page 91.

La livraison comprend :

- Appareil pose libre
- Des équipements et accessoires¹
- Matériel de montage
- Instructions de montage
- La notice d'utilisation
- Les coordonnées du service après-vente
- Le document annexe de la garantie²
- Le label énergétique
- Des informations relatives à la consommation d'énergie et aux bruits

4.2 Critères pour le lieu d'installation

AVERTISSEMENT **Risque d'explosion !**

Si l'appareil est installé dans une pièce trop petite, une éventuelle fuite du circuit de réfrigération pourrait donner lieu à un mélange de gaz et d'air inflammable.

- ▶ Installer l'appareil uniquement dans une pièce ayant un volume minimum de 1 m³ par 8 g de fluide frigorigène. La quantité de fluide frigorigène est indiquée sur la plaque signalétique. → Fig. **1** / **6**

Selon le modèle, le poids de l'appareil départ usine peut atteindre 105 kg.

Le plancher doit être assez stable pour supporter le poids de l'appareil.

Température ambiante admissible

La température ambiante admissible dépend de la classe climatique de l'appareil.

¹ Selon l'équipement de l'appareil

² Pas dans tous les pays

La classe climatique figure sur la plaque signalétique de l'appareil.

→ Fig. **1** / **6**

Classe climatique	Température ambiante admissible
SN	10 °C...32 °C
N	16 °C...32 °C
ST	16 °C...38 °C
T	16 °C...43 °C

L'appareil est entièrement opérationnel dans la plage de température ambiante admissible.

Si vous utilisez un appareil de la classe climatique SN à des températures ambiantes plus basses, il n'est pas exclu que l'appareil subisse des dommages en présence d'une température ambiante atteignant 5 °C.

Installation au-dessus et en-dessous, et côte à côte

Si vous souhaitez installer 2 appareils de réfrigération en les superposant ou les plaçant côte à côte, respectez une distance d'au moins 150 mm entre les appareils. Pour certains appareils, une installation sans distance minimale est possible. Demandez conseil à votre revendeur ou à votre cuisiniste.

4.3 Monter l'appareil

- ▶ Montez l'appareil selon les instructions de montage jointes.

4.4 Préparation de l'appareil pour la première utilisation

1. Retirer le matériel d'informations.
2. Retirer les films protecteurs et les sécurités de transport, par ex. les bandes adhésives et le carton.

3. Nettoyage de l'appareil pour la première fois. → Page 83

4.5 Raccordement électrique de l'appareil

1. Branchez la fiche secteur du cordon d'alimentation de l'appareil dans une prise murale à proximité de l'appareil.

Vous trouverez les données de raccordement de l'appareil sur la plaque signalétique. → Fig. **1** / **6**

2. Assurez-vous que la fiche secteur soit correctement branchée.
 - ✓ Maintenant, l'appareil est prêt à fonctionner.

5 Description de l'appareil

5.1 Appareil

Cette section contient une vue d'ensemble des composants de votre appareil.

→ Fig. **1**

A	Compartiment réfrigération → Page 80
B	Compartiment congélation → Page 81
1	Bandeau de commande → Page 74
2	Éclairage
3	Support-crochet pour bouteilles → Page 74
4	Ouverture de ventilation intérieure
5	Thermostat (bac de rangement) → Page 77

6	Plaque signalétique → Page 92
7	Bac de rangement → Page 74
8	Bac à fruits et légumes avec régulateur d'humidité → Page 75
9	Bac à produits congelés → Page 84
10	Pied à vis
11	Compartiment dans la contreporte pour grandes bouteilles → Page 75

Remarque : Selon l'équipement et la taille, des divergences sont possibles entre votre appareil et les illustrations.

5.2 Bandeau de commande

Le champ de commande vous permet de configurer toutes les fonctions de votre appareil et vous donne des informations sur l'état de fonctionnement.

→ Fig. 2

1	Affiche la température réglée du compartiment de réfrigération en °C.
2	—/+ règle la température du compartiment réfrigérateur.
3	Alarm désactive l'alarme sonore.
4	Affiche la température réglée du compartiment de congélation en °C.
5	—/+ règle la température du compartiment congélation.
6	Super (Cooler) active ou désactive la fonction Super-réfrigération.
7	Fresh active ou désactive le mode Fraîcheur.

8	Eco allume ou éteint le mode Économie d'énergie.
9	Vacation active ou désactive le mode Vacances.
10	ⓄOn/Off allume ou éteint l'appareil.
11	Super (Freezer) active ou désactive la fonction Super-congélation.

6 Équipement

L'équipement de votre appareil dépend de son modèle.

6.1 Clayette

Pour varier la position de la clayette selon les besoins, vous pouvez retirer la clayette et la replacer à un autre endroit.

→ "Retirer la clayette", Page 84

6.2 Support-crochet pour bouteilles

Rangez les bouteilles de manière sûre sur le support-crochet pour bouteilles.

Pour changer d'emplacement le support-crochet pour bouteilles selon vos besoins, vous pouvez le retirer et le placer à un autre endroit.

→ "Retirer la clayette", Page 84

6.3 Bac de rangement

Les températures régnant dans le bac de rangement sont plus basses que dans le compartiment réfrigération. Des températures inférieures à 0 °C peuvent parfois se produire. Utilisez les températures plus basses du bac de rangement pour conserver les aliments périssables, par ex. le poisson, la viande et la charcuterie.

6.4 Bac à fruits et légumes avec régulateur d'humidité

Stockez les fruits et légumes frais non emballés dans le bac à fruits et légumes.

Conservez les fruits et légumes coupés recouverts ou dans un emballage hermétique.

Le régulateur d'humidité et un joint d'étanchéité spécial vous permettent d'adapter l'humidité de l'air dans le bac à fruits et légumes. Les fruits et légumes frais se conservent ainsi jusqu'à deux fois plus longtemps qu'avec un mode de rangement conventionnel.

→ Fig. 3

Vous pouvez ajuster l'humidité de l'air régnant dans le bac à fruits et à légumes en fonction de la nature et de la quantité des aliments à ranger en tournant le régulateur d'humidité :

- Faible humidité Δ en cas de stockage prédominant de fruits, de chargement mixte ou important.
- Humidité élevée $\Delta\Delta\Delta$ en cas de stockage prédominant de légumes ou en cas de faible chargement.

Suivant la quantité et la nature des produits stockés, de l'eau peut se condenser dans le bac à fruits et légumes.

Éliminer l'eau condensée avec un essuie-tout sec et régler un faible taux d'humidité de l'air à l'aide du régulateur d'humidité.

Afin de conserver leur qualité et leurs arômes, rangez les fruits et légumes sensibles au froid en dehors de l'appareil à des températures comprises entre 8 °C à 12 °C environ, par ex. les ananas, les bananes, les agrumes, les concombres, les courgettes, les poivrons, les tomates et les pommes de terre.

6.5 Casier à beurre et à fromage

Rangez le beurre et le fromage à pâte dure dans le casier à beurre et à fromage.

6.6 Compartiment dans la contreporte

Pour varier la position du compartiment dans la contreporte selon les besoins, vous pouvez le retirer et le replacer à un autre endroit.

→ "Retirer le compartiment dans la contreporte", Page 84

6.7 Accessoires

Utilisez uniquement des accessoires d'origine. Ils ont été spécialement conçus pour votre appareil.

Les accessoires de votre appareil dépendent de son modèle.

Bac à œufs

Rangez les œufs sur le bac à œufs.

Porte-bouteilles

Le porte-bouteilles empêche ces dernières de se renverser lors de l'ouverture et de la fermeture de la porte de l'appareil.

→ Fig. 4

Bac à glaçons

Utilisez le bac à glaçons, pour confectionner des glaçons.

Confectionner des glaçons

Pour préparer des glaçons, utilisez exclusivement de l'eau potable.

1. Remplissez le bac à glaçons aux $\frac{3}{4}$ avec de l'eau potable et placez-le au congélateur.

Décolliez le bac à glaçons resté collé dans le congélateur uniquement à l'aide d'un instrument émoussé, par ex. un manche de cuillère.

2. Pour enlever les glaçons du bac à glaçons, passez le bac brièvement sous l'eau du robinet ou déformez-le légèrement.

7 Utilisation

7.1 Allumer l'appareil

1. Raccordement électrique de l'appareil. → Page 73
- ✓ L'appareil commence à réfrigérer.
- ✓ Une alarme sonore retentit, l'affichage de la température (compartiment congélation) clignote et Alarm est allumé, car le compartiment congélation n'est pas encore assez froid.
2. Éteignez l'alarme sonore avec Alarm.
- ✓ Alarm s'éteint dès que la température réglée est atteinte.
3. Réglez la température souhaitée. → Page 76

7.2 Remarques concernant le fonctionnement de l'appareil

- Lorsque vous avez allumé l'appareil, il peut s'écouler jusqu'à plusieurs heures avant que la température réglée ne soit atteinte. Ne rangez aucun aliment avant que la température réglée ne soit atteinte.

- L'appareil chauffe légèrement les surfaces frontales temporairement. Cela empêche une condensation d'eau dans la zone du joint de porte.
- Lorsque vous refermez la porte, une dépression peut se produire. La porte est alors difficile à rouvrir. Patientez quelques instants jusqu'à ce que la dépression soit compensée.
- La température de l'appareil varie selon les conditions suivantes :
 - Fréquence des ouvertures de l'appareil
 - Charge
 - Température des aliments nouvellement stockés
 - Température ambiante
 - Exposition directe au soleil

7.3 Éteindre l'appareil

- ▶ Débranchez l'appareil du réseau électrique. Retirez la fiche du cordon d'alimentation secteur ou désactivez le fusible dans la boîte à fusibles.

7.4 Régler la température

Réglage de la température du compartiment réfrigération

- ▶ Appuyer à plusieurs reprises sur —/+ jusqu'à ce que l'affichage de la température (compartiment réfrigération) indique la température souhaitée.

Pour atteindre la température réglée, placez le thermostat du récipient de stockage sur la position $\frac{1}{3}$ à partir du bas. → Page 77

La température recommandée dans le compartiment réfrigération est de 4 °C.

Régler la température du bac de rangement

1. Pour réduire la température, déplacez le thermostat dans la direction .
2. Pour augmenter la température, déplacez le thermostat dans la direction .

→ Fig. **5**

Régler la température du compartiment congélation

- ▶ Appuyer à plusieurs reprises sur — /+ jusqu'à ce que l'affichage de la température (compartiment congélation) indique la température souhaitée.

La température recommandée dans le compartiment congélation est de $-18\text{ }^{\circ}\text{C}$.

8 Fonctions additionnelles

Découvrez les fonctions additionnelles dont votre appareil dispose.

8.1 Super-réfrigération

Avec Super-réfrigération, le compartiment réfrigération refroidit au maximum.

Activez Super-réfrigération avant de ranger de grandes quantités d'aliments.

Remarque : Lorsque la fonction Super-réfrigération est activée, il est possible que l'appareil fonctionne plus bruyamment.

Activer Super-réfrigération

- ▶ Appuyez sur Super (Cooler).
- ✓ Super (Cooler) s'allume.

Remarque : Après environ 6 heures, l'appareil passe en mode de fonctionnement normal.

Désactivez Super-réfrigération

- ▶ Appuyez sur Super (Cooler).
- ✓ La température réglée auparavant s'affiche.

8.2 Super-congélation automatique

Grâce à la fonction Super-congélation automatique, le congélateur refroidit beaucoup plus qu'en fonctionnement normal. De ce fait, les aliments congèlent plus rapidement à cœur.

La fonction Super-congélation automatique s'enclenche si vous placez les aliments frais en partant de la droite dans le bac à aliments congelés inférieur.

Si la fonction Super-congélation automatique est activée, Super (Freezer) s'allume et il est possible que l'appareil fonctionne plus bruyamment. L'appareil passe en mode de fonctionnement normal après l'expiration de la fonction Super-congélation automatique.

Annuler la fonction Super-congélation automatique

- ▶ Appuyez sur Super (Freezer).
- ✓ La température réglée auparavant s'affiche.

8.3 Fonction Super-congélation manuel

Avec la fonction Super-congélation, le compartiment congélation refroidit au maximum.

Activez la fonction Super-congélation 4 à 6 heures avant de ranger une quantité d'aliments à partir de 2 kg dans le compartiment congélation.

Pour utiliser la capacité de congélation, utilisez la fonction Super-congélation.

→ "Conditions préalables pour la capacité de congélation", Page 81

Remarque : Lorsque la fonction Super-congélation est activée, il est possible que l'appareil fonctionne plus bruyamment.

Activer la fonction Super-congélation manuelle

- ▶ Appuyez sur Super (Freezer).
- ✓ Super (Freezer) s'allume.

Remarque : Après environ 60 heures, l'appareil passe en mode de fonctionnement normal.

Désactiver la fonction Super-congélation manuel

- ▶ Appuyez sur Super (Freezer).
- ✓ La température réglée auparavant s'affiche.

8.4 Mode Vacances

Si vous vous absentez pendant une longue période, vous pouvez activer le mode Vacances pour économiser l'énergie sur l'appareil.

PRUDENCE

Risque de préjudice pour la santé !

Lorsque le mode Vacances est activé, le compartiment réfrigération se réchauffe. L'augmentation de la température peut entraîner la multiplication des bactéries et l'altération des aliments.

- ▶ Quand le mode Vacances est activé, ne stockez pas d'aliments dans le compartiment réfrigération.

L'appareil adapte automatiquement les températures.

Compartiment réfrigération	6 °C
----------------------------	------

Compartiment congélation	Température inchangée
--------------------------	-----------------------

Activer le mode Vacances

- ▶ Appuyez sur Vacation.
- ✓ Vacation s'allume.

Désactiver le mode Vacances

- ▶ Appuyer sur Vacation.
- ✓ La température réglée auparavant s'affiche.

8.5 Mode économie d'énergie

Le mode Économie d'énergie permet de commuter en mode de fonctionnement économe en énergie. L'appareil adapte automatiquement les températures.

Compartiment réfrigération	8 °C
----------------------------	------

Compartiment congélation	-16 °C
--------------------------	--------

Activer le mode Économie d'énergie

- ▶ Appuyez sur Eco.
- ✓ Eco s'allume.

Désactiver le mode Économie d'énergie

- ▶ Appuyez sur Eco.
- ✓ La température réglée auparavant s'affiche.

8.6 Mode Fraîcheur

Pour conserver les aliments frais plus longtemps, vous pouvez activer le mode Fraîcheur sur l'appareil. L'appareil adapte automatiquement les températures.

Compartiment ré- 2 °C
frigération

Compartiment Température in-
congélation changée

Activer le mode fraîcheur

- ▶ Appuyez sur Fresh.
- ✓ Fresh s'allume.

Désactiver le mode fraîcheur

- ▶ Appuyez sur Fresh.
- ✓ La température réglée auparavant s'affiche.

8.7 Mode Sabbat

Pour vous permettre d'utiliser l'appareil pendant le sabbat, le Mode Sabbat désactive toutes les fonctions non essentielles.

En Mode Sabbat les fonctions suivantes sont désactivées :

- Super-réfrigération
- Super-congélation automatique et Super-congélation manuelle
- Alarme
- Éclairage intérieur
- Signaux sonores
- Messages sur le bandeau de commande

Remarque : Pendant le Mode Sabbat l'éclairage du bandeau de commande est moins lumineux.

Activez Mode Sabbat

- ▶ Appuyez sur Super (Freezer) pendant 15 secondes.

Remarque : Au bout de 80 heures, l'appareil revient en service normal.

Désactivez Mode Sabbat

- ▶ Appuyez sur Super (Freezer) pendant 15 secondes.

9 Alarme

9.1 Alarme de porte

L'alarme de porte retentit lorsque la porte de l'appareil reste ouverte longtemps.

Une alarme sonore retentit et Alarm clignote.

Couper l'alarme de porte

- ▶ Fermez la porte de l'appareil ou appuyez sur Alarm.
- ✓ L'alarme sonore est désactivée.
- ✓ Alarm s'éteint.

9.2 Alarme de température

Si la température monte trop dans le compartiment congélation, l'alarme de température retentit.

Une alarme sonore retentit, la température réglée (congélateur) et Alarm clignotent.



PRUDENCE

Risque de préjudice pour la santé !

Lors de la décongélation, les bactéries peuvent se multiplier et les aliments congelés peuvent s'abîmer.

- ▶ Ne remettez pas à congeler des produits alimentaires partiellement ou entièrement décongelés.
- ▶ Ne recongelez les aliments qu'après avoir les avoir fait cuire ou rôti.
- ▶ N'utilisez plus la durée de conservation dans son intégralité.

L'alarme de température peut s'enclencher dans les cas suivants :

- L'appareil est mis en service. Attendez que la température réglée soit atteinte avant de ranger les produits.
- Rangement de grandes quantités d'aliments frais.

Activez Super-congélation avant de ranger de grandes quantités de nourriture.

- Porte du compartiment congélation restée trop longtemps ouverte. Vérifiez si les produits surgelés ont été décongelés.

Arrêter l'alarme de température

- ▶ Appuyez sur Alarm.
- ✓ L'alarme sonore est désactivée.
- ✓ L'affichage de la température (compartiment congélation) indique brièvement la température la plus élevée qui a régné dans le compartiment congélation. Ensuite, l'affichage de la température (compartiment congélation) indique à nouveau la température réglée.
- ✓ À partir de ce moment-là, l'appareil détermine et enregistre à nouveau la température la plus élevée.
- ✓ Alarm s'allume jusqu'à ce que la température réglée soit à nouveau atteinte.

10 Compartiment réfrigération

Le compartiment réfrigération permet de conserver la viande, la charcuterie, le poisson, les produits laitiers, les œufs, les plats cuisinés et les pâtisseries.

La température est réglable de 2 °C à 8 °C.

Le stockage au froid vous permet aussi de ranger des denrées facilement périssables à court et moyen terme. Plus la température choisie est basse, plus les aliments restent frais plus longtemps.

10.1 Conseils pour ranger des produits alimentaires dans le compartiment réfrigération

- Stockez uniquement des aliments frais et intacts.
- Conservez les aliments dans un récipient hermétique ou couvert.
- Pour ne pas entraver la circulation de l'air et pour éviter que les aliments ne gèlent, ne placez pas les aliments devant les ouvertures de ventilation internes ou en contact direct avec la paroi arrière.
- Laissez les boissons et aliments chauds refroidir avant de les ranger.
- Respectez la date de péremption ou la date limite d'utilisation indiquée par le fabricant.

10.2 Zones froides dans le compartiment réfrigération

L'air circulant dans le compartiment réfrigération engendre des zones différemment froides.

Zone la plus froide

La zone la plus froide se trouve dans le bac de rangement.

Conseil : Rangez les aliments périssables dans la zone la plus froide, par ex. le poisson, la charcuterie et la viande.

Zone la moins froide

La zone la moins froide se trouve complètement en haut, contre la porte.

Conseil : Rangez des produits alimentaires insensibles dans la zone la moins froide, par ex. le fromage à pâte dure et le beurre. Le fromage

peut ainsi continuer à développer son arôme, et le beurre reste tartinable.

11 Compartiment congélation

Dans le compartiment congélation, vous pouvez stocker des aliments congelés, congeler des aliments et confectionner des glaçons.

La température est réglable de -16 °C à -24 °C .

La température de stockage à long terme des produits alimentaires doit se situer à -18 °C ou encore plus bas.

La congélation vous permet de stocker les aliments facilement périssables à long terme. Les basses températures ralentissent ou stoppent la l'altération des aliments.

11.1 Capacité de congélation

La capacité de congélation indique quelle quantité d'aliments l'appareil peut congeler à cœur en combien d'heures.

Sur la plaque signalétique, vous trouverez des indications concernant la capacité de congélation. → Fig. 1 /

6

Conditions préalables pour la capacité de congélation

1. Env. 24 heures avant de ranger des produits alimentaires frais, activer la fonction Super-congélation. → "Activer la fonction Super-congélation manuelle", Page 78
2. Placez les aliments en premier lieu dans le bac à aliments congelés du bas.

11.2 Utiliser l'intégralité du volume du compartiment congélation

Découvrez comment placer la quantité maximale d'aliments congelés dans le congélateur.

1. Retirez toutes les pièces d'équipement du congélateur. → Page 84
2. Déposez les produits alimentaires directement sur les clayettes et le fond du compartiment congélation.

11.3 Conseils pour ranger des aliments dans le compartiment congélation

- Conservez les aliments dans des emballages hermétiques.
- Veillez à ce que les aliments à congeler n'entrent pas en contact avec d'autres déjà congelés.
- Répartissez les produits alimentaires sur une grande surface dans les bacs à produits congelés.
- Pour que l'air puisse circuler librement dans l'appareil, introduire le bac à produits congelés jusqu'à la butée.

11.4 Conseils pour congeler des aliments frais

- Congelez uniquement des aliments frais et d'un aspect impeccable.
- Congelez les aliments en portions.
- Les plats cuisinés sont plus appropriés que les aliments crus comestibles.
- Lavez, hachez et blanchissez les légumes avant de les congeler.
- Avant la congélation, lavez les fruits, retirez les pépins et épluchez les fruits si nécessaire, ajoutez du sucre ou une solution d'acide ascorbique si nécessaire.

- Les produits de boulangerie, le poisson et les fruits de mer, la viande, le gibier et la volaille, les œufs sans coquille, le fromage, le beurre, le caillé, les plats préparés et les restes se prêtent à la congélation.
- La laitue, les radis, les œufs en coquille, les raisins, les pommes et poires crues, le yaourt, la crème aigre, la crème fraîche et la mayonnaise ne se prêtent pas à la congélation.

Emballer les surgelés

Un matériau d'emballage approprié et le bon type d'emballage sont essentiels pour maintenir la qualité du produit et éviter les brûlures de congélation.

1. Placez les aliments dans l'emballage.
2. Pressez pour chasser l'air.
3. Fermez hermétiquement l'emballage afin que les aliments ne perdent pas leur saveur ou ne se dessèchent pas.
4. Indiquez sur l'emballage le contenu et la date de congélation.

11.5 Durée de conservation du produit congelé à -18 °C

Aliments	Durée de conservation
Poisson, charcuterie, plats cuisinés, pâtisseries	jusqu'à 6 mois
Viande, volaille	jusqu'à 8 mois
Légumes, fruits	jusqu'à 12 mois

Le calendrier de congélation imprimé indique la durée maximale de stockage, en mois, à une température permanente de -18 °C.

11.6 Méthodes de décongélation pour aliments congelés



PRUDENCE

Risque de préjudice pour la santé !

Lors de la décongélation, les bactéries peuvent se multiplier et les aliments congelés peuvent s'abîmer.

- ▶ Ne remettez pas à congeler des produits alimentaires partiellement ou entièrement décongelés.
- ▶ Ne recongelez les aliments qu'après avoir les avoir fait cuire ou rôti.
- ▶ N'utilisez plus la durée de conservation dans son intégralité.
- Décongelez les aliments d'origine animale dans le réfrigérateur, par exemple le poisson, la viande, le fromage et le lait caillé.
- Décongelez le pain à température ambiante.
- Préparez les aliments au micro-ondes, au four ou sur la cuisinière pour une consommation immédiate.

12 Dégivrage

12.1 Dégivrage du compartiment réfrigérateur

Le compartiment réfrigérateur de votre appareil se dégèle automatiquement.

12.2 Décongélation dans le compartiment congélation

Grâce au système « NoFrost » entièrement automatique, le compartiment congélation ne se couvre pas de givre. Aucun dégivrage n'est nécessaire.

13 Nettoyage et entretien

Pour que votre appareil reste longtemps opérationnel, nettoyez-le et entretenez-le avec soin.

Le nettoyage de points inaccessibles doit être réalisé par le service après-vente. Le nettoyage par le service après-vente peut engendrer des frais.

13.1 Préparer l'appareil pour le nettoyage

1. Débrancher l'appareil du réseau électrique.
Débrancher la fiche secteur du cordon d'alimentation secteur ou désactiver le fusible dans le boîtier à fusibles.
2. Retirez tous les aliments de l'appareil et rangez-les dans un endroit frais.
Si possible, placez des accumulateurs de froid sur les aliments.

3. Retirez toutes les pièces d'équipement et les accessoires de l'appareil. → Page 84
4. Démontez la clayette au-dessus du bac à fruits et légumes.
→ Page 84

13.2 Nettoyage de l'appareil

AVERTISSEMENT **Risque d'électrocution !**

L'infiltration d'humidité peut occasionner un choc électrique.

- ▶ Ne pas utiliser de nettoyeur vapeur ou haute pression pour nettoyer l'appareil.

La présence de liquide dans l'éclairage, les éléments commandes ou les orifices d'aération internes peut être dangereuse.

- ▶ L'eau de rinçage ne doit pas pénétrer dans l'éclairage, les éléments de commande ou les orifices d'aération internes.

ATTENTION !

Des produits nettoyants inappropriés peuvent endommager les surfaces de l'appareil.

- ▶ Ne pas utiliser de tampon en paille métallique ni d'éponge à dos récurant.
- ▶ Ne pas utiliser de produits de nettoyage agressifs ou récurants.
- ▶ N'utilisez pas de nettoyeurs fortement alcoolisés.

Si vous nettoyez les pièces d'équipement et les accessoires au lave-vaisselle, ceux-ci risquent de se déformer ou de déteindre.

- ▶ Ne nettoyez jamais les équipements et accessoires au lave-vaisselle.
1. Préparer l'appareil pour le nettoyage. → Page 83

- Nettoyez l'appareil, les pièces d'équipement, les accessoires et les joints de porte avec une laverse, de l'eau tiède et du produit à vaisselle présentant un pH neutre.
- Sécher ensuite minutieusement avec un chiffon doux et sec.
- Insérez les pièces d'équipement et montez les pièces de l'appareil.
- Raccordement électrique de l'appareil. → Page 73
- Ranger les aliments.

13.3 Retirer les pièces d'équipement

Si vous désirez nettoyer soigneusement les pièces d'équipement, retirez celles-ci de votre appareil.

Retirer la clayette

- ▶ Extrayez, soulevez et retirez la clayette.
→ Fig. 6

Retirer le compartiment dans la contreporte

- ▶ Soulevez le compartiment dans la contre-porte vers le haut et retirez-le.
→ Fig. 7

Retirer le bac de rangement

- ▶ Abaissez le bac de rangement vers l'avant ① et retirez-le ②.
→ Fig. 8

Retirer le bac à fruits et légumes

- Extrayez le bac à fruits et légumes jusqu'en butée.
- Soulevez le bac à fruits et légumes vers l'avant ① et retirez-le ②.
→ Fig. 9

Retirer le bac à produits congelés

- Extraire le bac à produits congelés jusqu'en butée.
- Soulever l'avant du bac à produits congelés ① et le retirer ②.
→ Fig. 10

Retirer la façade du bac

Vous pouvez retirer la façade du bac à fruits et légumes pour faciliter le nettoyage.

- ▶ Appuyez sur les crochets de fixation latéraux du bac ① et retirez la façade du bac par un mouvement de rotation ②.
→ Fig. 11

13.4 Démontage des pièces de l'appareil

Si vous souhaitez effectuer un nettoyage complet de votre appareil, vous pouvez retirer certaines pièces de votre appareil.

Clayette au-dessus du bac à fruits et légumes

Pour nettoyer à fond le couvercle du bac à fruits et légumes, vous pouvez le retirer.

Démonter la clayette au-dessus du bac à fruits et légumes

- Retirer le bac à fruits et légumes.
→ Page 84
- Retirez le bac de rangement.
→ Page 84
- Incline latéralement la clayette au-dessus du bac à fruits et légumes ① et retirez-la ②.
→ Fig. 12
- Soulevez le couvercle du bac à fruits et légumes ① et retirez-le ②.
→ Fig. 13

Monter la clayette au-dessus du bac à fruits et légumes

1. Accrochez le couvercle du bac à fruits et légumes.

→ Fig. **14**

2. Insérez la clayette au-dessus du bac à fruits et légumes en la basculant latéralement ① et en l'abaissant ②.

→ Fig. **15**

3. Positionnez le régulateur d'humidité en position avant.

→ Fig. **16**

Veillez à ce que le couvercle du bac à fruits et légumes soit placé dans l'ouverture sous le régulateur d'humidité.

4. Mettez en place les bacs de rangement et les bacs à fruits et légumes.

→ Fig. **17**

14 Dépannage

Vous pouvez corriger par vous-même les petits défauts de votre appareil. Lisez les renseignements de dépannage avant de contacter le service consommateurs. Vous vous épargnerez ainsi des dépenses inutiles.

AVERTISSEMENT **Risque d'électrocution !**

Les réparations non conformes sont dangereuses.

- ▶ Seul un personnel dûment qualifié peut entreprendre des réparations sur l'appareil.
- ▶ Seules des pièces de rechange d'origine peuvent être utilisées pour réparer l'appareil.
- ▶ Afin d'écartier tout danger quand le cordon d'alimentation secteur de cet appareil est endommagé, seul le fabricant ou son service après-vente ou toute autre personne de qualification équivalente est habilité à le remplacer.

Défaut	Cause et dépannage
L'appareil ne réfrigère pas, les affichages et l'éclairage sont allumés.	L'appareil se trouve en mode Exposition. <ol style="list-style-type: none"> 1. Maintenez Alarm enfoncé pendant 9 à 11 secondes jusqu'à l'émission d'un signal sonore. 2. Vérifiez après un court laps de temps si l'appareil réfrigère.
L'éclairage par LED ne fonctionne pas.	Différentes causes sont possibles. <ul style="list-style-type: none"> ▶ Appelez le service après-vente. <p>Vous trouverez le numéro du service après-vente dans les coordonnées des services après-vente dont la liste est jointe.</p>
Les panneaux latéraux de l'appareil sont chauds.	Il ne s'agit pas d'un défaut. Les parois latérales recèlent en effet des tuyaux qui se réchauffent pendant le processus de refroidissement. La chaleur n'abîme pas les meubles qui touchent l'appareil. Aucune action nécessaire.

Défaut	Cause et dépannage
Un E ou un d apparaît dans l'affichage de la température.	<p>L'électronique a détecté un défaut.</p> <ol style="list-style-type: none"> 1. Éteignez l'appareil. → <i>Page 76</i> 2. Débranchez l'appareil du secteur. Retirez la fiche secteur du cordon d'alimentation secteur ou désactivez le fusible dans le boîtier à fusibles. 3. Raccordez à nouveau l'appareil après 5 minutes. 4. Si ce message apparaît toujours, contactez le service après-vente. Vous trouverez le numéro du service après-vente dans les coordonnées des services après-vente dont la liste est jointe.
Alarm clignote et une alarme sonore retentit. L'alarme de porte est activée.	<p>La porte de l'appareil est ouverte.</p> <ul style="list-style-type: none"> ▶ Fermez la porte de l'appareil.
Une alarme sonore retentit, l'affichage de la température (congélateur) et Alarm clignotent. L'alarme de température est activée.	<p>Différentes causes sont possibles.</p> <ol style="list-style-type: none"> 1. Appuyez sur Alarm. ✓ L'alarme s'éteint. 2. Vérifiez après quelques heures si la température réglée dans le compartiment congélation a de nouveau été atteinte. <hr/> <p>Les orifices de ventilation extérieurs sont recouverts.</p> <ul style="list-style-type: none"> ▶ Retirez les obstacles situés devant les orifices de ventilation extérieurs. <hr/> <p>Des quantités importantes d'aliments frais ont été rangées.</p> <ul style="list-style-type: none"> ▶ Éteignez Super-congélation avant d'entreposer une plus grande quantité d'aliments. → "<i>Activer la fonction Super-congélation manuelle</i>", <i>Page 78</i>

Défaut	Cause et dépannage
<p>La température réglée n'est pas atteinte.</p> <p>Le dégivrage entièrement automatique ne fonctionne plus.</p>	<p>La porte du compartiment congélation est restée ouverte pendant longtemps. L'évaporateur (générateur de froid) du système NoFrost est très fortement givré.</p> <p>Condition : Les aliments congelés sont stockés dans un endroit frais et sont bien isolés.</p> <ol style="list-style-type: none"> 1. Éteignez l'appareil. → Page 76 2. Débranchez l'appareil du secteur. Retirez la fiche secteur du cordon d'alimentation secteur ou désactivez le fusible dans le boîtier à fusibles. 3. Éloignez l'appareil du mur. 4. Laissez la porte de l'appareil ouverte. ✓ Au bout de 20 minutes environ, l'eau de dégivrage commence à couler dans le bac d'évaporation au dos de l'appareil. → Fig. 18 5. Pour éviter dans ce cas que le bac d'évaporation ne déborde, récupérez cette eau à l'aide d'une éponge. L'évaporateur est dégivré lorsqu'il ne coule plus d'eau de dégivrage dans le bac d'évaporation. 6. Nettoyez l'intérieur de l'appareil. → Page 83 7. Rallumez l'appareil. → Page 76
<p>La température dévie fortement par rapport au réglage.</p>	<p>Différentes causes sont possibles.</p> <ol style="list-style-type: none"> 1. Éteignez l'appareil. → Page 76 2. Allumez à nouveau l'appareil après env. 5 minutes. → Page 76 <ul style="list-style-type: none"> – Si la température est trop élevée, vérifiez-la à nouveau au bout de quelques heures. – Si la température est trop basse, vérifiez-la à nouveau le jour suivant.
<p>De la condensation se forme à la surface de l'appareil et sur les clayettes à l'intérieur de l'appareil.</p>	<p>L'eau contenue dans l'air chaud et humide se condense sur les surfaces plus froides de l'appareil.</p> <ol style="list-style-type: none"> 1. Essuyez l'eau avec un chiffon sec et doux. 2. Ouvrez l'appareil le plus brièvement possible. 3. Veillez à ce que l'appareil soit toujours correctement fermé.

Défaut	Cause et dépannage
L'appareil vrombit, fait des bulles, des bourdonnements, des gargouillis, des cliquetis ou des claquements.	Il ne s'agit pas d'un défaut. Un moteur tourne, par ex. groupe frigorifique, ventilateur. Le fluide frigorigène circule dans les tuyaux. Le moteur, les interrupteurs ou les électrovannes s'allument ou s'éteignent. Le dégivrage automatique a lieu. Aucune action nécessaire.
L'appareil émet des bruits.	<p>L'appareil ne repose pas d'aplomb.</p> <ul style="list-style-type: none"> ▶ Nivelez l'appareil à l'aide d'un niveau à bulle et des pieds à vis. <hr/> <p>L'appareil n'est pas posé de manière indépendante.</p> <ul style="list-style-type: none"> ▶ Respectez les distances minimales de l'appareil. <hr/> <p>Les pièces d'équipement vacillent ou se coincent.</p> <ul style="list-style-type: none"> ▶ Vérifiez les pièces d'équipement amovibles et remettez-les éventuellement en place correctement. <hr/> <p>Des bouteilles ou récipients se touchent.</p> <ul style="list-style-type: none"> ▶ Éloigner les bouteilles ou les récipients les uns des autres. <hr/> <p>Super-congélation est activé. Aucune action nécessaire.</p>

14.1 Panne de courant

En cas de panne de courant, la température à l'intérieur de l'appareil augmente, ce qui raccourcit la durée de conservation et réduit la qualité des aliments congelés.

Sur notre site Internet dédié à votre appareil, vous trouverez dans les caractéristiques techniques la durée de conservation des aliments congelés en cas de dysfonctionnement.

Remarques

- Ouvrez l'appareil le moins possible en cas de panne de courant et ne stockez pas d'autres aliments.
- Vérifiez la qualité des aliments immédiatement après la panne de courant.
 - Jetez les aliments congelés qui sont décongelés et dont la température est supérieure à 5 °C.
 - Faites bouillir ou frire des aliments congelés légèrement décongelés et consommez-les ou recongelez-les.

14.2 Effectuer l'auto-test de l'appareil

Votre appareil dispose d'un autotest qui indique les dysfonctionnements auxquels votre service après-vente peut remédier.

1. Débrancher l'appareil du réseau électrique.
Débrancher la fiche secteur du cordon d'alimentation secteur ou désactiver le fusible dans le boîtier à fusibles.
2. Raccordez l'appareil à l'alimentation électrique après 5 minutes.
→ Page 73

3. Dans les 10 secondes qui suivent le raccordement électrique, maintenez **Super** enfoncé pendant 3 à 5 secondes jusqu'à ce qu'un signal sonore retentisse.
 - ✓ L'auto-test de l'appareil démarre.
 - ✓ Au cours de l'auto-test, un signal sonore long retentit par intermittence.
 - ✓ Si, à la fin de l'auto-test, 2 signaux sonores retentissent et si l'affichage de la température indique la température réglée, cela signifie que votre appareil fonctionne correctement. L'appareil revient en fonctionnement normal.
 - ✓ Si vous entendez 5 signaux sonores à la fin de l'autotest de l'appareil et que **Super** clignote pendant 10 secondes, contactez le service après-vente.

15 Entreposage et élimination

15.1 Mise hors service de l'appareil

1. Débrancher l'appareil du réseau électrique.
Débrancher la fiche secteur du cordon d'alimentation secteur ou désactiver le fusible dans le boîtier à fusibles.
2. Retirez tous les aliments.
3. Nettoyer l'appareil. → Page 83
4. **ATTENTION !** Des objets coincés entre la porte et la boîtier risque d'endommager la charnière de porte.
 - ▶ Ouvrez la porte jusqu'à ce qu'elle reste ouverte d'elle-même.
 - ▶ Ne pas coincer d'objets entre la porte et le boîtier.

Afin de garantir la ventilation de l'espace intérieur, laissez l'appareil ouvert.

15.2 Mettre au rebut un appareil usagé

La destruction dans le respect de l'environnement permet de récupérer de précieuses matières premières.

AVERTISSEMENT

Risque de préjudice pour la santé !

Des enfants risquent de s'enfermer dans l'appareil et de mettre leur vie en danger.

- ▶ Pour compliquer la pénétration des enfants dans l'appareil, ne pas retirer les clayettes et les bacs.
- ▶ Éloigner les enfants de l'appareil qui a cessé de servir.

AVERTISSEMENT

Risque d'incendie !

En cas d'endommagement des tuyaux, du fluide frigorigène inflammable et des gaz nocifs peuvent s'échapper et s'enflammer.

- ▶ Veillez à ne pas endommager les tubulures du circuit frigorifique, ni l'isolant.

1. Débrancher la fiche du cordon d'alimentation secteur.
2. Couper le cordon d'alimentation secteur.
3. Éliminez l'appareil dans le respect de l'environnement.

Vous trouverez des informations sur les circuits actuels d'élimination auprès de votre revendeur spécialisé ou de l'administration de votre commune/ville.



Cet appareil est marqué selon la directive européenne 2012/19/UE relative aux appareils élec-

triques et électroniques usagés (waste electrical and electronic equipment - WEEE).

La directive définit le cadre pour une reprise et une récupération des appareils usagés applicables dans les pays de la CE.

16 Service après-vente

Les pièces de rechange relatives au fonctionnement de l'appareil et conformes à l'ordonnance d'écoconception correspondante sont disponibles auprès de notre service après-vente pour une durée d'au moins 10 ans à partir de la mise sur le marché de votre appareil dans l'Espace économique européen.

Remarque : L'intervention du service après-vente est gratuite dans le cadre de la garantie locale du fabricant en vigueur. La durée minimale de la garantie (garantie du fabricant pour consommateurs privés) dans l'Espace économique européen est de 2 ans selon les conditions de garantie locales en vigueur. Les conditions de garantie n'ont aucune incidence sur les autres droits ou recours qui vous sont disponibles en vertu du droit local.

Pour plus d'informations sur la durée et les conditions de la garantie dans votre pays, adressez-vous à notre service après-vente, à votre revendeur ou consultez notre site Web. Lorsque vous contactez le service après-vente, vous avez besoin du numéro de produit (E-Nr.) et du numéro de fabrication (FD) de votre appareil.

Vous trouverez les données de contact du service après-vente dans la liste ci-jointe ou sur notre site Web.

16.1 Numéro de produit (E-Nr) et numéro de fabrication (FD)

Le numéro de série (E-Nr.) et le numéro de fabrication (FD) sont indiqués sur la plaque signalétique de l'appareil.

→ Fig. **1** / **6**

Pour retrouver rapidement les données de votre appareil et le numéro de téléphone du service consommateurs, n'hésitez pas à les recopier ailleurs.

17 Caractéristiques techniques

La plaque signalétique mentionne le fluide frigorigène, le volume net ainsi que d'autres données techniques.

→ Fig. **1** / **6**

Ce produit contient une source de lumière de la classe d'efficacité énergétique F. La source de lumière est disponible en tant que pièce de rechange et doit être remplacée uniquement par du personnel qualifié. Vous trouverez de plus amples informations sur votre modèle sur Internet à l'adresse <https://eprel.ec.europa.eu/>¹. Cette adresse Internet renvoie à la base de données officielle des produits de l'UE, EPREL. Veuillez suivre les instructions de la recherche de modèle. L'identifiant du modèle se base sur les caractères précédant la barre oblique dans le numéro de produit (E-Nr.) sur la plaque signalétique. Vous pouvez également trouver l'identifiant du modèle sur la première ligne du label énergétique de l'UE.

¹ Valable uniquement pour les pays de l'espace économique européen

Per ulteriori informazioni, si prega di fare riferimento alla Guida utente digitale.



Indice

1 Sicurezza	95		
1.1 Avvertenze generali.....	95	6.5 Scomparto per burro e for-	
1.2 Utilizzo conforme all'uso pre-		maggio	105
visto	95	6.6 Balconcino controporta.....	105
1.3 Limitazione di utilizzo.....	95	6.7 Accessori.....	105
1.4 Trasporto sicuro	95	7 Comandi di base	106
1.5 Installazione sicura	96	7.1 Accensione dell'apparecchio	106
1.6 Utilizzo sicuro	97	7.2 Istruzioni per il funzionamen-	
1.7 Apparecchio danneggiato.....	99	to.....	106
2 Prevenzione di danni materia-	101	7.3 Spegnimento dell'apparec-	
li.....		chio.....	106
3 Tutela dell'ambiente e rispar-	101	7.4 Regolazione della tempera-	
mio		tura	106
3.1 Smaltimento dell'imballaggio ..	101	8 Funzioni supplementari	107
3.2 Risparmio energetico	101	8.1 Super-raffreddamento	107
4 Installazione e allacciamento ..	102	8.2 Super-congelamento auto-	
4.1 Contenuto della confezione ...	102	matico.....	107
4.2 Criteri per il luogo d'installa-		8.3 Super-congelamento manua-	
zione	102	le.....	107
4.3 Montaggio dell'apparecchio... ..	103	8.4 Modalità vacanza	108
4.4 Preparazione dell'apparec-		8.5 Modalità risparmio energeti-	
chio per il primo utilizzo	103	co.....	108
4.5 Collegamento elettrico		8.6 Modalità freschezza.....	108
dell'apparecchio	103	8.7 Modo Shabbat.....	108
5 Conoscere l'apparecchio.....	103	9 Allarme.....	109
5.1 Apparecchio	103	9.1 Allarme porta.....	109
5.2 Pannello di comando	104	9.2 Allarme temperatura.....	109
6 Dotazione.....	104	10 Frigorifero.....	110
6.1 Ripiano	104	10.1 Consigli per la conservazio-	
6.2 Portabottiglie	104	ne degli alimenti nel frigori-	
6.3 Contenitore di conservazio-		fero	110
ne.....	104	10.2 Zone fredde nel frigorifero ..	110
6.4 Cassetto per frutta e verdura		11 Congelatore	110
con regolatore di umidità	104	11.1 Capacità di congelamento..	110

11.2	Utilizzo completo del volume del vano congelatore	111
11.3	Consigli per la conservazione di alimenti nel vano congelatore	111
11.4	Consigli per congelare alimenti freschi.....	111
11.5	Conservazione degli alimenti congelati a -18 °C.....	112
11.6	Metodi di scongelamento per alimenti congelati.....	112
12	Scongelamento	112
12.1	Scongelamento nel frigorifero	112
12.2	Scongelamento nel vano congelatore	112
13	Pulizia e cura	112
13.1	Preparazione dell'apparecchio per la pulizia	112
13.2	Pulizia dell'apparecchio.....	113
13.3	Rimozione degli accessori...	113
13.4	Smontaggio dei componenti dell'apparecchio	114
14	Sistemazione guasti.....	115
14.1	Interruzione dell'alimentazione elettrica	119
14.2	Esecuzione dell'autotest dell'apparecchio	119
15	Stoccaggio e smaltimento	119
15.1	Messa fuori servizio dell'apparecchio.....	119
15.2	Rottamazione di un apparecchio dismesso	120
16	Servizio di assistenza clienti. 120	
16.1	Codice prodotto (E-Nr.) e codice di produzione (FD) ...	121
17	Dati tecnici.....	121



1 Sicurezza

Osservare le seguenti avvertenze di sicurezza.

1.1 Avvertenze generali

- Leggere attentamente le presenti istruzioni.
- Conservare le istruzioni e le informazioni sul prodotto per il successivo utilizzo o per il futuro proprietario.
- Non collegare l'apparecchio se ha subito danni durante il trasporto.

1.2 Utilizzo conforme all'uso previsto

Utilizzare l'apparecchio soltanto:

- Per refrigerare e per congelare gli alimenti e per la produzione di ghiaccio.
- in case private e in locali chiusi in ambito domestico;
- fino a un'altitudine di massimo 2000 m sul livello del mare.

1.3 Limitazione di utilizzo

Questo apparecchio può essere utilizzato da bambini di età pari o superiore a 8 anni e da persone con ridotte facoltà fisiche, sensoriali o mentali o prive di sufficiente esperienza e/o conoscenza se sorvegliati o già istruiti in merito all'utilizzo sicuro dell'apparecchio e se hanno compreso i rischi da esso derivanti.

I bambini non devono giocare con l'apparecchio.

Ai bambini senza sorveglianza è vietato eseguire la pulizia e manutenzione di competenza dell'utente.

I bambini da 3 a 8 anni possono caricare e scaricare il frigorifero/ congelatore.

1.4 Trasporto sicuro

AVVERTENZA – Pericolo di lesioni!

Il peso elevato dell'apparecchio può causare lesione durante il sollevamento.

- ▶ Non sollevare l'apparecchio autonomamente.

1.5 Installazione sicura

⚠ AVVERTENZA – Pericolo di scosse elettriche!

Le installazioni effettuate in modo non appropriato costituiscono un pericolo.

- ▶ Collegare e utilizzare l'apparecchio solo in conformità con i dati indicati sulla targhetta identificativa.
- ▶ Collegare l'apparecchio a una rete a corrente alternata soltanto con una presa con messa a terra installata a norma.
- ▶ Il sistema del conduttore di protezione dell'impianto elettrico domestico deve essere installato a norma.
- ▶ Non alimentare mai l'apparecchio da un commutatore esterno ad es. un timer esterno o un telecomando.
- ▶ Se l'apparecchio è incassato, la spina di alimentazione del cavo di collegamento alla rete elettrica deve essere liberamente accessibile, oppure qualora non fosse possibile accedere liberamente alla spina, nell'impianto elettrico fisso deve essere montato un dispositivo di separazione conformemente alle norme di installazione.
- ▶ Durante l'installazione dell'apparecchio prestare attenzione che il cavo di alimentazione non resti incastrato e non si danneggi.

Un isolamento danneggiato del cavo di allacciamento alla rete costituisce un pericolo.

- ▶ Non mettere mai il cavo di allacciamento alla rete a contatto con fonti di calore.

⚠ AVVERTENZA – Pericolo di esplosione!

Se le aperture di ventilazione dell'apparecchio sono tappate, in caso di perdita del circuito refrigerante si può creare una miscela infiammabile di gas e aria.

- ▶ Nonappare le aperture di ventilazione all'interno dell'alloggiamento dell'apparecchio o nell'alloggiamento a incasso.

⚠ AVVERTENZA – Pericolo di incendio!

È pericoloso utilizzare un cavo di alimentazione con una prolunga e un adattatore non ammesso.

- ▶ Non utilizzare cavi di prolunga o prese multiple.

- ▶ Utilizzare esclusivamente gli adattatori e i cavi di alimentazione approvati dal produttore.
- ▶ Se il cavo di alimentazione è troppo corto e non è disponibile un cavo di alimentazione più lungo, contattare un elettricista per modificare l'installazione domestica.

Le prese multiple mobili o gli alimentatori mobili possono surriscaldarsi e provocare un incendio.

- ▶ Non collocare prese multiple mobili o alimentatori mobili nella parte posteriore dell'apparecchio.

1.6 Utilizzo sicuro

⚠ AVVERTENZA – Pericolo di scosse elettriche!

L'infiltrazione di umidità può provocare una scarica elettrica.

- ▶ Utilizzare l'apparecchio esclusivamente in luoghi chiusi.
- ▶ Non esporre mai l'apparecchio a calore e umidità eccessivi.
- ▶ Non lavare l'apparecchio con pulitori a vapore o idropulitrici.

⚠ AVVERTENZA – Pericolo di soffocamento!

I bambini potrebbero mettersi in testa il materiale di imballaggio o avvolgersi nello stesso, rimanendo soffocati.

- ▶ Tenere lontano il materiale di imballaggio dai bambini.
- ▶ Vietare ai bambini di giocare con materiali d'imballaggio.

I bambini possono inspirare o ingoiare le parti piccole, rimanendo soffocati.

- ▶ Tenere i bambini lontano dalle parti piccole.
- ▶ Non lasciare che i bambini giochino con le parti piccole.

⚠ AVVERTENZA – Pericolo di esplosione!

Se il circuito refrigerante è danneggiato, può fuoriuscire del refrigerante infiammabile ed esplodere.

- ▶ Per accelerare il processo di scongelamento non utilizzare dispositivi meccanici o altri strumenti diversi da quelli consigliati dal produttore.
- ▶ Staccare gli alimenti congelati con un oggetto smussato, ad es. il manico di un cucchiaino di legno.

I prodotti contenenti gas propellenti combustibili e sostanze esplosive possono esplodere, per es. bombolette spray.

- ▶ Non conservare nell'apparecchio prodotti contenenti gas propellenti combustibili e sostanze esplosive.

⚠ AVVERTENZA – Pericolo di incendio!

Gli apparecchi elettrici all'interno di questo elettrodomestico possono incendiarsi, ad esempio apparecchi di riscaldamento o produttori di ghiaccio elettrici.

- ▶ Non utilizzare alcun apparecchio elettrico all'interno dell'elettrodomestico.

⚠ AVVERTENZA – Pericolo di lesioni!

I contenitori di bevande contenenti anidride carbonica possono esplodere.

- ▶ Non conservare nel congelatore contenitori con bevande contenenti anidride carbonica.

Pericolo di lesioni agli occhi dovute alla fuoriuscita di refrigerante infiammabile e gas nocivi.

- ▶ Non danneggiare i tubi del circuito refrigerante e l'isolamento.

L'apparecchio può ribaltarsi.

- ▶ Non salire su zoccolo, parti estraibili o porte, né sostenersi sugli stessi.

⚠ AVVERTENZA – Pericolo di ustioni!

Singoli componenti della parte posteriore dell'apparecchio si riscaldano durante il funzionamento.

- ▶ Non toccare mai le parti roventi.

⚠ AVVERTENZA – Pericolo di ustioni da freddo!

Il contatto con gli alimenti surgelati e le superfici fredde può causare bruciature dovute al freddo.

- ▶ Non mettere in bocca alimenti congelati appena presi dal congelatore.
- ▶ Evitare il contatto prolungato della pelle con prodotti surgelati, ghiaccio e con superfici nel congelatore.

⚠ ATTENZIONE – Pericolo di danni alla salute!

Osservare le seguenti indicazioni per evitare di sporcare gli alimenti.

- ▶ Se la porta viene aperta per un periodo di tempo prolungato, si può verificare un notevole aumento di temperatura all'interno degli scomparti dell'apparecchio.
- ▶ Pulire regolarmente le superfici che entrano in contatto con gli alimenti e i sistemi di scarico accessibili.
- ▶ Conservare carne e pesce crudi in contenitori adatti nel frigorifero, in modo che non entrino in contatto con altri alimenti o non gocciolino su questi.
- ▶ Se il frigorifero/congelatore rimane vuoto per un lungo periodo, spegnere l'apparecchio, scongelarlo, pulirlo e lasciare aperta la porta per prevenire la formazione di muffa.

I componenti nell'apparecchio in metallo o che sembrano in metallo possono contenere alluminio. Se cibi con un certo grado di acidità entrano in contatto con l'alluminio, gli ioni di alluminio possono trasferirsi negli alimenti.

- ▶ Non consumare alimenti contaminati.

1.7 Apparecchio danneggiato**⚠ AVVERTENZA – Pericolo di scosse elettriche!**

Un apparecchio o un cavo di alimentazione danneggiati costituiscono un pericolo.

- ▶ Non mettere mai in funzione un apparecchio danneggiato.
- ▶ Non tirare mai il cavo di collegamento alla rete elettrica per staccare l'apparecchio dalla rete elettrica. Staccare sempre la spina del cavo di alimentazione.
- ▶ Se l'apparecchio o il cavo di alimentazione è danneggiato, staccare subito la spina di alimentazione del cavo di alimentazione e spegnere il fusibile nella scatola dei fusibili.
- ▶ Rivolgersi al servizio di assistenza clienti. → *Pagina 120*

Gli interventi di riparazione effettuati in modo non appropriato rappresentano una fonte di pericolo.

- ▶ Solo il personale adeguatamente specializzato e formato può eseguire riparazioni sull'apparecchio.

- ▶ Per la riparazione dell'apparecchio possono essere impiegati soltanto pezzi di ricambio originali.
- ▶ Al fine di evitare pericoli, se il cavo di alimentazione di questo apparecchio subisce danni deve essere sostituito dal produttore, dal suo servizio di assistenza clienti o da persona in possesso di simile qualifica.

⚠ AVVERTENZA – Pericolo di incendio!



In caso di danneggiamento dei tubi, il refrigerante infiammabile e i gas nocivi possono fuoriuscire e prendere fuoco.

- ▶ Tenere il fuoco e le fonti di calore lontani dall'apparecchio.
- ▶ Ventilare l'ambiente.
- ▶ Spegnerne l'apparecchio. → *Pagina 106*
- ▶ Togliere la spina del cavo di alimentazione o disattivare il fusibile nella scatola dei fusibili.
- ▶ Rivolgersi al servizio di assistenza clienti. → *Pagina 120*

2 Prevenzione di danni materiali

ATTENZIONE!

L'inceppamento delle ruote dell'apparecchio può danneggiare i piedini durante lo spostamento.

- ▶ Trasportare l'apparecchio con un carrellino.
- ▶ Per spostare l'apparecchio utilizzare una protezione per i piedini e non procedere a zig-zag.

Salendo o sedendosi sullo zoccolo, sugli elementi estraibili o sulle porte, l'apparecchio può danneggiarsi.

- ▶ Non salire su zoccolo, parti estraibili o porte, né sostenersi sugli stessi.

Le parti di plastica e le guarnizioni delle porte possono diventare porose a causa di sporco di olio o grasso.

- ▶ Tenere le parti in materiale plastico e le guarnizioni delle porte sempre libere da olio e grasso.

I componenti nell'apparecchio in metallo o che sembrano in metallo possono contenere alluminio. L'alluminio ha una reazione chimica se è a contatto con cibi con un certo grado di acidità.

- ▶ Non mettere alimenti nell'apparecchio senza imballaggio.

Lavando i pezzi dell'attrezzatura e gli accessori in lavastoviglie, questi si possono deformare o scolorire.

- ▶ Non lavare mai le parti dell'attrezzatura e gli accessori in lavastoviglie.

3 Tutela dell'ambiente e risparmio

3.1 Smaltimento dell'imballaggio

I materiali dell'imballaggio sono rispettosi dell'ambiente e possono essere riutilizzati.

- ▶ Smaltire le singole parti distintamente secondo il tipo di materiale.

3.2 Risparmio energetico

Osservando queste avvertenze l'apparecchio consuma meno energia elettrica.

Selezione del luogo d'installazione

- Proteggere l'apparecchio dalla luce diretta del sole.
- Disporre l'apparecchio alla maggiore distanza possibile da radiatori, piano cottura e altre fonti di calore:
 - Mantenere una distanza di 30 mm dai fornelli elettrici o a gas.
 - Mantenere una distanza di 300 mm da stufe a olio o a carbone.
- Mantenere una piccola distanza dalla parete laterale.
- Non coprire oppure ostruire mai le aperture di ventilazione esterne.

Risparmio energetico durante l'utilizzo

Nota: La disposizione delle parti dell'attrezzatura non influisce sul consumo di energia dell'apparecchio.

- Aprire solo per poco l'apparecchio e richiuderlo accuratamente.
- Non coprire né bloccare mai le aperture di aerazione interne e le aperture di ventilazione esterne.

- Trasportare gli alimenti acquistati in una borsa termica e metterli subito nell'apparecchio.
- Lasciare raffreddare gli alimenti e le bevande, se caldi, prima di collocarli nell'apparecchio.
- Per scongelare gli alimenti surgelati metterli nel frigorifero, in modo da sfruttare il freddo che hanno accumulato.
- Lasciare sempre un poco di spazio fra gli alimenti e la parete posteriore.

4 Installazione e allacciamento

4.1 Contenuto della confezione

Dopo il disimballaggio controllare che siano presenti tutti i componenti e che non presentino danni dovuti al trasporto.

In caso di contestazioni rivolgersi al fornitore oppure al nostro servizio di assistenza clienti → *Pagina 120*.

La dotazione comprende:

- Apparecchio a libera installazione
- Attrezzatura e accessori¹
- Materiale di montaggio
- Istruzioni per il montaggio
- Istruzioni per l'uso
- Elenco dei centri di assistenza clienti
- Allegato di garanzia convenzionale²
- Etichetta energetica
- Informazioni sul consumo energetico e sui possibili rumori

4.2 Criteri per il luogo d'installazione

AVVERTENZA

Pericolo di esplosione!

Se l'apparecchio è collocato in un locale troppo piccolo, in caso di perdita del circuito refrigerante si può creare una miscela infiammabile di gas e aria.

- ▶ Collocare l'apparecchio soltanto in un locale con un volume minimo di 1 m³ ogni 8 g di refrigerante. La quantità di refrigerante è indicata sulla targhetta identificativa.

→ Fig. **1** / **6**

A seconda del modello l'apparecchio può pesare di fabbrica fino a 105 kg. Per poter trasportare il peso dell'apparecchio, la base deve essere sufficientemente stabile.

Temperatura ambiente ammessa

La temperatura ambiente ammessa dipende dalla classe climatica dell'apparecchio.

La classe climatica è indicata nella targhetta identificativa. → Fig. **1** / **6**

Classe climatica	Temperatura ambiente ammessa
SN	10 °C...32 °C
N	16 °C...32 °C
ST	16 °C...38 °C
T	16 °C...43 °C

Nei limiti della temperatura ambiente ammessa l'apparecchio è pienamente efficiente.

Se un apparecchio della classe climatica SN viene utilizzato a temperature ambiente inferiori, possono esse-

¹ In funzione dell'allestimento dell'apparecchio

² Non in tutti i Paesi

re esclusi danni all'apparecchio fino ad una temperatura ambiente di 5 °C.

Installazione over-and-under e side-by-side

Se si desiderano installare due apparecchi di refrigerazione sovrapposti o vicini, mantenere una distanza di almeno 150 mm l'uno dall'altro. Per apparecchi selezionati è possibile eseguire un'installazione senza distanza minima. A tal proposito, rivolgersi al proprio rivenditore specializzato o progettista della cucina.

4.3 Montaggio dell'apparecchio

- ▶ Montare l'apparecchio secondo le relative istruzioni di montaggio.

4.4 Preparazione dell'apparecchio per il primo utilizzo

1. Rimuovere il materiale informativo.
2. Rimuovere la pellicola protettiva e i blocchi di trasporto, come il nastro adesivo e il cartone.
3. Pulire l'apparecchio per la prima volta. → *Pagina 113*

4.5 Collegamento elettrico dell'apparecchio

1. Inserire la spina del cavo di allacciamento alla rete dell'apparecchio a una presa vicina.

I dati di collegamento dell'apparecchio sono indicati sulla targhetta di identificazione. → *Fig. 1/6*

2. Controllare il corretto posizionamento della spina.
- ✓ Ora l'apparecchio è pronto per il funzionamento.

5 Conoscere l'apparecchio

5.1 Apparecchio

Di seguito è riportata una panoramica dei componenti dell'apparecchio. → *Fig. 1*

A	Frigorifero → <i>Pagina 110</i>
B	Congelatore → <i>Pagina 110</i>
1	Pannello di comando → <i>Pagina 104</i>
2	Illuminazione
3	Portabottiglie → <i>Pagina 104</i>
4	Apertura di aerazione interna
5	Regolatore della temperatura (contenitore di conservazione) → <i>Pagina 106</i>
6	Targhetta identificativa → <i>Pagina 121</i>
7	Contenitore di conservazione → <i>Pagina 104</i>
8	Cassetto per frutta e verdura con regolatore di umidità → <i>Pagina 104</i>
9	Cassetto surgelati → <i>Pagina 114</i>
10	Piede a vite
11	Balconcino porta per grandi bottiglie → <i>Pagina 105</i>

Nota: A seconda della dotazione e delle dimensioni sono possibili differenze fra apparecchio e figure.

5.2 Pannello di comando

Il pannello di comando consente di impostare tutte le funzioni dell'apparecchio e di ottenere informazioni sullo stato di esercizio.

→ Fig. **2**

1	Indica in °C la temperatura impostata del frigorifero.
2	—/+ regola la temperatura del frigorifero.
3	Alarm disattiva il segnale acustico.
4	Indica in °C la temperatura impostata del congelatore.
5	—/+ regola la temperatura del congelatore.
6	Super (Cooler) attiva o disattiva Super-raffreddamento.
7	Fresh attiva o disattiva la modalità freschezza.
8	Eco attiva o disattiva la modalità risparmio energetico.
9	Vacation attivare o disattivare la modalità vacanza.
10	ⓄOn/Off accende o spegne l'apparecchio.
11	Super (Freezer) attiva o disattiva Super-congelamento.

6 Dotazione

La dotazione dell'apparecchio dipende dal modello.

6.1 Ripiano

Per variare il ripiano secondo la necessità, rimuoverlo e reinserirlo in un altro punto.

→ "Rimozione del ripiano", Pagina 113

6.2 Portabottiglie

Disporre in sicurezza le bottiglie sul portabottiglie.

Per variare il portabottiglie secondo la necessità, è possibile rimuoverlo e reinserirlo in un altro punto.

→ "Rimozione del ripiano", Pagina 113

6.3 Contenitore di conservazione

Nel contenitore di conservazione le temperature sono più basse rispetto al frigorifero. A volte possono essere raggiunte anche temperature inferiori a 0 °C.

Sfruttare le temperature più basse del contenitore di conservazione per conservare gli alimenti facilmente deperibili, per esempio pesce, carne e salsicce.

6.4 Cassetto per frutta e verdura con regolatore di umidità

Conservare frutta e verdura fresche, senza coprirle, nell'apposito cassetto. Conservare coperte o sigillare ermeticamente la frutta e la verdura già tagliate.

L'umidità dell'aria nel cassetto per frutta e verdura può essere adattata per mezzo del regolatore umidità e di una speciale guarnizione. In questo modo frutta e verdura fresche possono essere conservate fino a raddoppiare la durata rispetto alla conservazione tradizionale.

→ Fig. **3**

L'umidità dell'aria nel cassetto della frutta e della verdura può essere regolata premendo il regolatore dell'umidità a seconda del tipo e della quantità degli alimenti da conservare:

- Umidità dell'aria inferiore Δ per la conservazione principalmente di frutta, di carico misto o carico elevato.
- Umidità dell'aria elevata $\Delta\Delta\Delta$ per la conservazione principalmente di verdure o carico ridotto.

A seconda della quantità e del prodotto conservato, nel cassetto per frutta e verdura può formarsi condensa.

Rimuovere la condensa con un panno asciutto e impostare un'umidità dell'aria inferiore con l'apposito regolatore.

Per mantenere la qualità e l'aroma, conservare frutta e verdura sensibili al freddo all'esterno dell'apparecchio a temperature tra 8 °C e 12 °C, ad es. ananas, banane, agrumi, cetrioli, zucchine, peperoni, pomodori e patate.

6.5 Scomparto per burro e formaggio

Conservare il burro e il formaggio duro nei relativi scomparti.

6.6 Balconcino controporta

Per variare il balconcino controporta, è possibile rimuoverlo e reinserirlo in un altro punto.

→ "Rimozione del balconcino controporta", Pagina 113

6.7 Accessori

Utilizzare gli accessori originali in quanto prodotti appositamente per questo apparecchio.

Gli accessori dipendono dal modello di apparecchio.

Portauova

Conservare le uova nel portauova.

Fermabottiglie

Il fermabottiglie impedisce la caduta delle bottiglie durante l'apertura o la chiusura della porta.

→ Fig. **4**

Vaschetta per cubetti di ghiaccio

Per fare i cubetti di ghiaccio, utilizzare la vaschetta apposita.

Produzione di cubetti di ghiaccio

Per produrre cubetti di ghiaccio utilizzare esclusivamente acqua potabile.

1. Riempire la vaschetta per cubetti di ghiaccio per $\frac{3}{4}$ con acqua potabile e inserirla nel congelatore.

Staccare la vaschetta eventualmente attaccata solo con un oggetto non acuminato, ad esempio un manico di cucchiaio.

2. Per staccare i cubetti di ghiaccio mettere brevemente la vaschetta sotto acqua corrente oppure torcerla leggermente.

7 Comandi di base

7.1 Accensione dell'apparecchio

1. Collegare elettricamente l'apparecchio. → *Pagina 103*
- ✓ L'apparecchio inizia a raffreddare.
- ✓ Viene emesso un segnale acustico, l'indicatore della temperatura (congelatore) lampeggia e Alarm si accende, poiché il vano congelatore è ancora caldo.
2. Spegnerne il segnale acustico con Alarm.
- ✓ Alarm si spegne non appena la temperatura impostata è stata raggiunta.
3. Impostare la temperatura desiderata. → *Pagina 106*

7.2 Istruzioni per il funzionamento

- Una volta acceso, l'apparecchio può impiegare anche diverse ore per raggiungere la temperatura impostata.
Non inserire alcuna pietanza prima che venga raggiunta la temperatura impostata.
- Il lato anteriore dell'apparecchio, col tempo, si riscalda leggermente. Questo impedisce la formazione di condensa nella zona della guarnizione della porta.
- Chiudendo lo sportello, si può verificare una depressione. Lo sportello si riapre solo con difficoltà. Attendere brevemente finché la depressione non è stata compensata.
- La temperatura dell'apparecchio varia in base alle seguenti condizioni:
 - frequenza dell'apertura dell'apparecchio

- quantità di carico
- temperatura degli alimenti appena conservati
- temperatura ambiente
- esposizione diretta alla luce del sole

7.3 Spegnimento dell'apparecchio

- ▶ Staccare l'apparecchio dalla rete elettrica. Togliere la spina del cavo di alimentazione o disattivare il fusibile nella scatola dei fusibili.

7.4 Regolazione della temperatura

Regolazione della temperatura del frigorifero

- ▶ Premere ripetutamente $-/+$ finché l'indicatore (frigorifero) non indica la temperatura desiderata.

Per raggiungere la temperatura impostata, spingere il regolatore di temperatura del contenitore dal basso nella posizione $1/3$. → *Pagina 106*

La temperatura consigliata all'interno del frigorifero è di 4 °C.

Impostazione della temperatura nel contenitore di conservazione

1. Per abbassare la temperatura, spingere il l'apposito regolatore in direzione .
2. Per alzare la temperatura, spingere il l'apposito regolatore in direzione .

→ *Fig. 5*

Regolazione della temperatura del congelatore

- ▶ Premere ripetutamente $-/+$ finché l'indicatore (congelatore) non indica la temperatura desiderata.

La temperatura consigliata all'interno del congelatore è pari a $-18\text{ }^{\circ}\text{C}$.

8 Funzioni supplementari

Scopri quali funzioni aggiuntive è possibile impostare sull'apparecchio.

8.1 Super-raffreddamento

Con il Super-raffreddamento il frigorifero raffredda al massimo della potenza.

Attivare Super-raffreddamento prima di riporre grandi quantità di alimenti.

Nota: Se Super-raffreddamento è attivato, il rumore dell'apparecchio aumenta.

Attivazione di Super-raffreddamento

- ▶ Premere Super (Cooler).
- ✓ Super (Cooler) si accende.

Nota: Dopo circa 6 ore l'apparecchio commuta al funzionamento normale.

Disattivazione di Super-raffreddamento

- ▶ Premere Super (Cooler).
- ✓ Viene visualizzata la temperatura regolata precedentemente.

8.2 Super-congelamento automatico

Con il Super-congelamento automatico, il congelatore raffredda molto di più che durante il funzionamento normale. Gli alimenti vengono così congelati completamente più rapidamente.

Il Super-congelamento automatico si accende se si collocano gli alimenti freschi cominciando da sinistra nel cassetto surgelati più in basso.

Se il Super-congelamento automatico è attivato, Super (Freezer) si accende e si può verificare l'aumento di rumori. Al termine, l'apparecchio commuta dal Super-congelamento automatico al funzionamento normale.

Interrompere il Super-congelamento automatico

- ▶ Premere Super (Freezer).
- ✓ Viene visualizzata la temperatura regolata precedentemente.

8.3 Super-congelamento manuale

Con il Super-congelamento il congelatore raffredda al massimo della potenza.

Attivare Super-congelamento da 4 a 6 ore prima di riporre una quantità di alimenti a partire da 2 kg nel congelatore.

Per sfruttare la capacità di congelamento, utilizzare Super-congelamento.

→ *"Condizioni per la capacità di congelamento", Pagina 111*

Nota: Se Super-congelamento è attivato, il rumore dell'apparecchio aumenta.

Attivare Super-congelamento manuale

- ▶ Premere Super (Freezer).
- ✓ Super (Freezer) si accende.

Nota: Dopo circa 60 ore l'apparecchio commuta al funzionamento normale.

Disattivare Super-congelamento manuale

- ▶ Premere Super (Freezer).
- ✓ Viene visualizzata la temperatura regolata precedentemente.

8.4 Modalità vacanza

Se ci si assenta per periodi di tempo prolungati, attivare la modalità vacanza a risparmio energetico.

ATTENZIONE

Pericolo di danni alla salute!

Quando la modalità vacanza è attivata, il vano frigorifero si riscalda. A causa delle alte temperature possono proliferare batteri e gli alimenti possono deteriorarsi.

- ▶ In modalità vacanza non conservare alimenti nel frigorifero.

L'apparecchio regola automaticamente le temperature.

Frigorifero	6 °C
Congelatore	Temperatura invariata

Attivazione della modalità vacanza

- ▶ Premere Vacation.
- ✓ Vacation si accende.

Disattivazione della modalità vacanza

- ▶ Premere Vacation.
- ✓ Viene visualizzata la temperatura regolata precedentemente.

8.5 Modalità risparmio energetico

Con la modalità risparmio energetico si commuta l'apparecchio al funzionamento a risparmio energetico. L'apparecchio regola automaticamente le temperature.

Frigorifero	8 °C
Congelatore	-16 °C

Attivazione della modalità risparmio energetico

- ▶ Premere Eco.
- ✓ Eco si accende.

Disattivazione della modalità risparmio energetico

- ▶ Premere Eco.
- ✓ Viene visualizzata la temperatura regolata precedentemente.

8.6 Modalità freschezza

Per mantenere freschi gli alimenti più a lungo, è possibile attivare la modalità freschezza nell'apparecchio. L'apparecchio regola automaticamente le temperature.

Frigorifero	2 °C
Congelatore	Temperatura invariata

Attivazione della modalità freschezza

- ▶ Premere Fresh.
- ✓ Fresh si accende.

Disattivazione della modalità freschezza

- ▶ Premere Fresh.
- ✓ Viene visualizzata la temperatura regolata precedentemente.

8.7 Modo Shabbat

Per poter utilizzare l'apparecchio anche durante lo Shabbat, Modo Shabbat disattiva tutte le funzioni non indispensabili.

Durante la modalità Modo Shabbat, le seguenti funzioni sono spente:

- Super-raffreddamento
- Super-congelamento automatico e Super-congelamento manuale
- Allarme

- Illuminazione interna
- Segnali acustici
- Messaggi sul pannello di comando

Nota: Durante la modalità Modo Shabbat si riduce l'illuminazione del pannello di comando.

Attivazione di Modo Shabbat

- ▶ Tenere premuto Super (Freezer) per 15 secondi.

Nota: Dopo 80 ore l'apparecchio commuta a funzionamento normale.

Disattivazione di Modo Shabbat

- ▶ Tenere premuto Super (Freezer) per 15 secondi.

9 Allarme

9.1 Allarme porta

Se lo sportello dell'apparecchio resta aperto a lungo, si attiva l'allarme porta.

Viene emesso un segnale acustico e Alarm lampeggia.

Disattivazione dell'allarme porta

- ▶ Chiudere lo sportello dell'apparecchio o premere Alarm.
- ✓ Il segnale acustico è disattivato.
- ✓ Alarm si spegne.

9.2 Allarme temperatura

Quando la temperatura nel congelatore aumenta troppo, si attiva l'allarme temperatura.

Viene emesso un segnale acustico, la temperatura impostata (congelatore) e Alarm lampeggiano.

ATTENZIONE

Pericolo di danni alla salute!

Durante lo sbrinamento possono aumentare i batteri e i prodotti surgelati possono deteriorarsi.

- ▶ Non ricongelare gli alimenti parzialmente o completamente scongelati.
- ▶ Ricongelare solo dopo la cottura.
- ▶ Considerare una durata di conservazione inferiore.

L'allarme temperatura può attivarsi nei seguenti casi:

- L'apparecchio viene messo in funzione;
 - Introdurre gli alimenti soltanto quando è stata raggiunta la temperatura impostata.
- Vengono introdotte grandi quantità di alimenti freschi;
 - Prima di introdurre grandi quantità di alimenti, attivare Super-congelamento.
- Lo sportello del congelatore è aperto da troppo tempo.
 - Controllare se gli alimenti si sono scongelati o hanno iniziato a sciogliersi.

Disattivazione dell'allarme temperatura

- ▶ Premere Alarm.
- ✓ Il segnale acustico è disattivato.
- ✓ L'indicatore di temperatura (congelatore) indica brevemente la massima temperatura raggiunta nel congelatore. Successivamente l'indicatore di temperatura (congelatore) indica di nuovo la temperatura regolata.
- ✓ Iniziando da questo momento la massima temperatura viene nuovamente rilevata e memorizzata.
- ✓ Alarm si accende finché la temperatura regolata non è stata di nuovo raggiunta.

10 Frigorifero

Nel frigorifero è possibile conservare carne, salsiccia, pesce, latticini, uova, piatti cucinati e prodotti da forno.

La temperatura può essere regolata da 2 °C a 8 °C.

Mediante conservazione in frigorifero anche alimenti facilmente deperibili possono essere conservati a breve o medio termine. Minore è la temperatura selezionata, più a lungo rimangono freschi gli alimenti.

10.1 Consigli per la conservazione degli alimenti nel frigorifero

- Conservare soltanto alimenti freschi e integri.
- Sistemare gli alimenti confezionati o coperti in modo sigillato.
- Per non compromettere la circolazione dell'aria ed evitare che gli alimenti congelino, non posizionare questi ultimi davanti alle bocchette di aerazione interne o a contatto diretto con la parete posteriore.
- Fare prima raffreddare gli alimenti e le bevande caldi.
- Osservare la data minima di conservazione o la data di consumo indicata dal produttore.

10.2 Zone fredde nel frigorifero

Per via della circolazione dell'aria all'interno del frigo si creano diverse zone fredde.

Zona più fredda

La zona più fredda si trova nel contenitore di conservazione.

Consiglio: Conservare nella zona più fredda gli alimenti facilmente deperibili, per esempio pesce, salsiccia, carne.

Zona meno fredda

La zona meno fredda è nella parte più alta della porta.

Consiglio: Conservare gli alimenti meno delicati nella zona meno fredda, ad es. formaggio duro e burro. Il formaggio può così continuare a diffondere il suo aroma e il burro resta spalmabile.

11 Congelatore

Nel vano congelatore è possibile conservare i prodotti surgelati, congelare gli alimenti e produrre i cubetti di ghiaccio.

La temperatura può essere regolata da -16 °C a -24 °C.

La conservazione a lungo termine degli alimenti va eseguita a -18 °C o a temperature più basse.

Mediante conservazione in congelatore anche alimenti deperibili possono essere conservati a lungo termine. Le basse temperature rallentano oppure arrestano il deterioramento.

11.1 Capacità di congelamento

La capacità di congelamento indica in quante ore può essere completamente congelata una determinata quantità di alimenti.

Sulla targhetta identificativa sono riportati i dati della capacità di congelamento. → Fig. **1** / **6**

Condizioni per la capacità di congelamento

1. Circa 24 ore prima della conservazione di alimenti freschi, attivare Super-congelamento.
→ *"Attivare Super-congelamento manuale", Pagina 107*
2. Deposare gli alimenti prima nel cassetto surgelati più in basso.

11.2 Utilizzo completo del volume del vano congelatore

Scoprire come collocare la quantità massima di alimenti congelati nel vano.

1. Rimuovere tutte le parti dell'attrezzatura interna nel congelatore.
→ *Pagina 113*
2. Disporre gli alimenti direttamente sui ripiani e sul fondo del congelatore.

11.3 Consigli per la conservazione di alimenti nel vano congelatore

- Sistemare gli alimenti confezionati o coperti in modo sigillato.
- Non mettere gli alimenti da surgelare a contatto con gli alimenti surgelati.
- Disporre gli alimenti distesi in piano nei cassetti surgelati.
- Affinché l'aria circoli senza ostacoli all'interno dell'apparecchio, spingere il cassetto surgelati fino in fondo.

11.4 Consigli per congelare alimenti freschi

- Congelare soltanto alimenti freschi e integri.
- Congelare alimenti in porzioni.

- Gli alimenti da cuocere sono più adeguati rispetto a quelli da consumare crudi.
- Lavare, sminuzzare e sbollentare la verdura prima di congelarla.
- Lavare, snocciolare ed eventualmente sbucciare la frutta prima di congelarla, aggiungere eventualmente zucchero o una soluzione di acido ascorbico.
- Alimenti adatti al congelamento sono ad es. prodotti da forno, pesce e frutti di mare, carne, selvaggina e pollame, uova senza guscio, formaggio, burro, quark, cibi pronti e i residui di alimenti.
- Alimenti non adatti al congelamento sono ad es. lattuga, ravanelli, uova con guscio, uva, mele e pere crude, yogurt, panna acida, crème fraîche e maionese.

Confezionamento di alimenti surgelati

Il materiale di confezionamento adeguato e la tipologia corretta di imballaggio mantengono la qualità del prodotto ed evitano bruciature da freddo.

1. Introdurre l'alimento nella confezione.
2. Fare uscire l'aria.
3. Chiudere le confezioni a tenuta d'aria, per evitare che gli alimenti perdano il gusto o possano essiccarsi.
4. Scrivere sulla confezione il contenuto e la data di congelamento.

11.5 Conservazione degli alimenti congelati a -18 °C

Alimento	Tempo di conservazione
Pesce, insaccati di carne, cibi cotti, prodotti da forno	fino a 6 mesi
Carne, pollame	fino a 8 mesi
Frutta, verdura	fino a 12 mesi

Il calendario di congelamento stampato indica la massima durata di conservazione, calcolata in mesi, ad una temperatura costante di -18 °C.

11.6 Metodi di scongelamento per alimenti congelati

ATTENZIONE

Pericolo di danni alla salute!

Durante lo sbrinamento possono aumentare i batteri e i prodotti surgelati possono deteriorarsi.

- ▶ Non ricongelare gli alimenti parzialmente o completamente scongelati.
- ▶ Ricongelare solo dopo la cottura.
- ▶ Considerare una durata di conservazione inferiore.
- Scongelare gli alimenti di origine animale, come pesce, carne, formaggio e quark, nel frigorifero.
- Scongelare il pane a temperatura ambiente.
- Preparare gli alimenti per il consumo immediato nel microonde, nel forno o sui fornelli.

12 Scongelamento

12.1 Scongelamento nel frigorifero

Il frigorifero dell'apparecchio si sbrina automaticamente.

12.2 Scongelamento nel vano congelatore

Grazie al sistema "NoFrost" completamente automatico, nel congelatore non si forma ghiaccio. Lo sbrinamento da parte del cliente non è necessario.

13 Pulizia e cura

Per mantenere a lungo l'apparecchio in buone condizioni, sottoporlo a una cura e a una manutenzione scrupolosa.

La pulizia dei punti inaccessibili deve essere effettuata dal servizio di assistenza clienti. La pulizia da parte del servizio di assistenza clienti può comportare costi.

13.1 Preparazione dell'apparecchio per la pulizia

1. Staccare l'apparecchio dalla rete elettrica.
Togliere la spina del cavo di alimentazione o disattivare il fusibile nella scatola dei fusibili.
2. Togliere tutti gli alimenti e conservarli in un luogo fresco.
Se disponibili, mettere degli accumulatori del freddo sugli alimenti.
3. Rimuovere tutte le parti dell'attrezzatura e gli accessori dall'apparecchio. → *Pagina 113*

4. Smontare il ripiano sopra al cassetto della frutta e della verdura.
→ *Pagina 114*

13.2 Pulizia dell'apparecchio

AVVERTENZA

Pericolo di scosse elettriche!

L'infiltrazione di umidità può provocare una scarica elettrica.

- ▶ Non lavare l'apparecchio con pulitori a vapore o idropulitrici.

I liquidi che raggiungono l'interno dell'unità d'illuminazione, gli elementi di comando o l'interno delle bocchette di aerazione possono essere nocivi.

- ▶ L'acqua con detersivo non deve penetrare nell'unità d'illuminazione, negli elementi di comando o all'interno delle bocchette di aerazione.

ATTENZIONE!

I detersivi non appropriati possono danneggiare le superfici dell'apparecchio.

- ▶ Non utilizzare spugnette dure o abrasive.
- ▶ Non usare prodotti corrosivi o abrasivi.
- ▶ Non utilizzare detergenti a elevato contenuto di alcol,

Lavando i pezzi dell'attrezzatura e gli accessori in lavastoviglie, questi si possono deformare o scolorire.

- ▶ Non lavare mai le parti dell'attrezzatura e gli accessori in lavastoviglie.

1. Preparare l'apparecchio per la pulizia. → *Pagina 112*
2. Pulire l'apparecchio, le parti dell'attrezzatura, i componenti dell'apparecchio e le guarnizioni della porta utilizzando un panno spugna, acqua tiepida e una quantità esigua di detergente con pH neutro.

3. Asciugare a fondo con un panno morbido e asciutto.
4. Inserire le parti dell'attrezzatura e montare i componenti dell'apparecchio.
5. Collegare elettricamente l'apparecchio. → *Pagina 103*
6. Inserire gli alimenti.

13.3 Rimozione degli accessori

Se si vogliono pulire a fondo le parti dell'attrezzatura, rimuoverle dall'apparecchio.

Rimozione del ripiano

- ▶ Estrarre, sollevare e rimuovere il ripiano.
→ *Fig. 6*

Rimozione del balconcino controporta

- ▶ Sollevare il balconcino controporta ed estrarlo.
→ *Fig. 7*

Estrazione del contenitore di conservazione

- ▶ Abbassare da davanti il contenitore di conservazione ① e rimuoverlo ②.
→ *Fig. 8*

Rimozione del cassetto per frutta e verdura

1. Estrarre il cassetto della frutta e della verdura finché non si innesta in posizione.
2. Sollevare da davanti il cassetto della frutta e della verdura ① e rimuoverlo ②.
→ *Fig. 9*

Rimozione del cassetto surgelati

1. Estrarre il cassetto surgelati fino a battuta.
2. Sollevare il cassetto surgelati da davanti ① ed estrarlo da dietro ②.
→ Fig. **10**

Rimozione della parte frontale del contenitore

È possibile rimuovere la parte frontale del cassetto per frutta e verdura per una migliore pulizia.

- ▶ Premere i ganci a scatto laterali del contenitore ① e con una rotazione rimuovere la parte frontale dal contenitore ②.
→ Fig. **11**

13.4 Smontaggio dei componenti dell'apparecchio

Se si desidera pulire accuratamente l'apparecchio, smontare determinati componenti dell'apparecchio.

Ripiano sopra il cassetto di frutta e verdura

Smontare la copertura del cassetto per frutta e della verdura per pulirla accuratamente.

Smontaggio del ripiano sopra il cassetto di frutta e verdura

1. Rimuovere il cassetto della frutta e della verdura. → *Pagina 113*

2. Estrarre il contenitore di conservazione. → *Pagina 113*
3. Inclinare lateralmente il ripiano sopra al cassetto della frutta e della verdura ① e rimuoverlo ②.
→ Fig. **12**
4. Sollevare la copertura del cassetto della frutta e della verdura ① e rimuoverla ②.
→ Fig. **13**

Montaggio del ripiano sopra il cassetto di frutta e verdura

1. Agganciare il coperchio del cassetto per frutta e verdura.
→ Fig. **14**
2. Inclinandolo lateralmente inserire il ripiano sul cassetto della frutta e della verdura ① e abbassarlo ②.
→ Fig. **15**
3. Portare nella posizione anteriore il regolatore dell'umidità.
→ Fig. **16**
Accertarsi che il coperchio del cassetto per frutta e verdura sia collocato nell'apertura sotto al regolatore dell'umidità.
4. Inserire il contenitore di conservazione e il cassetto per frutta e verdura.
→ Fig. **17**

14 Sistemazione guasti

I guasti minori possono essere sistemati autonomamente dall'utente. Utilizzare le informazioni per la sistemazione dei guasti prima di contattare il servizio di assistenza clienti. In questo modo si evitano costi non necessari.

AVVERTENZA

Pericolo di scosse elettriche!

Gli interventi di riparazione effettuati in modo non appropriato rappresentano una fonte di pericolo.

- ▶ Solo il personale adeguatamente specializzato e formato può eseguire riparazioni sull'apparecchio.
- ▶ Per la riparazione dell'apparecchio possono essere impiegati soltanto pezzi di ricambio originali.
- ▶ Al fine di evitare pericoli, se il cavo di alimentazione di questo apparecchio subisce danni deve essere sostituito dal produttore, dal suo servizio di assistenza clienti o da persona in possesso di simile qualifica.

Anomalia	Causa e ricerca guasti
L'apparecchio non raffredda, l'indicatore e l'illuminazione sono accesi.	Il programma «dimostrativo» è attivo. <ol style="list-style-type: none"> 1. Tenere premuto Alarm da 9 a 11 secondi, finché non viene emesso un segnale acustico. 2. Dopo poco controllare se l'apparecchio raffredda.
L'illuminazione LED non funziona.	Sono possibili diverse cause scatenanti. <ul style="list-style-type: none"> ▶ Rivolgersi al servizio di assistenza clienti. Il numero del servizio di assistenza clienti si trova nell'elenco dei centri di assistenza allegato.
I pannelli laterali dell'apparecchio sono caldi.	Nessun guasto. Nelle pareti laterali sono posati tubi che si riscaldano durante il raffreddamento. I mobili a contatto con l'apparecchio non vengono danneggiati dal calore. Nessun trattamento necessario.
Compare E o d sull'indicatore della temperatura.	Il sistema elettronico ha riconosciuto un errore. <ol style="list-style-type: none"> 1. Spegnerne l'apparecchio. → <i>Pagina 106</i> 2. Scollegare l'apparecchio dall'alimentazione elettrica. Togliere la spina del cavo di alimentazione o disattivare il fusibile nella scatola dei fusibili. 3. Collegare nuovamente l'apparecchio dopo 5 minuti. 4. Se il messaggio continua a comparire sul display, rivolgersi al servizio assistenza clienti. Il numero del servizio di assistenza clienti si trova nell'elenco dei centri di assistenza allegato:

Anomalia	Causa e ricerca guasti
Viene emesso un segnale acustico e Alarm lampeggia. L'allarme porta è acceso.	La porta dell'apparecchio è aperta. ▶ Chiudere la porta.
Viene emesso un segnale acustico, l'indicatore della temperatura (congelatore) e Alarm lampeggiano. L'allarme temperatura è acceso.	Sono possibili diverse cause scatenanti. 1. Premere Alarm . ✓ L'allarme viene disattivato. 2. Dopo alcune ore controllare se è stata nuovamente raggiunta la temperatura impostata nel congelatore. Le aperture di ventilazione esterne sono coperte. ▶ Rimuovere gli ostacoli che si trovano davanti alle aperture di ventilazione esterne. Sono state introdotte grandi quantità di alimenti freschi. ▶ Attivare Super-congelamento prima di disporvi una grande quantità di alimenti. → <i>"Attivare Super-congelamento manuale", Pagina 107</i>

Anomalia	Causa e ricerca guasti
<p>La temperatura impostata non è stata raggiunta.</p> <p>Lo scongelamento completamente automatico non funziona più.</p>	<p>Lo sportello del congelatore è stato aperto troppo a lungo. L'evaporatore (dispositivo di generazione del freddo) del sistema NoFrost è fortemente gelato.</p> <p>Requisito: Gli alimenti surgelati sono ben isolati e si trovano in un luogo fresco.</p> <ol style="list-style-type: none"> 1. Spegnere l'apparecchio. → <i>Pagina 106</i> 2. Scollegare l'apparecchio dall'alimentazione elettrica. Togliere la spina del cavo di alimentazione o disattivare il fusibile nella scatola dei fusibili. 3. Spostare l'apparecchio dalla parete. 4. Lasciare aperto lo sportello dell'apparecchio. ✓ Dopo ca. 20 min. l'acqua di sbrinamento comincia a gocciolare nella vaschetta d'evaporazione sul lato posteriore dell'apparecchio. → <i>Fig. 18</i> 5. Per evitare che la vaschetta d'evaporazione trabocchi, assorbire l'acqua con una spugna. L'evaporatore è sbrinato quando nella vaschetta d'evaporazione non defluisce più acqua di sbrinamento. 6. Pulire il vano interno dell'apparecchio. → <i>Pagina 113</i> 7. Riaccendere l'apparecchio. → <i>Pagina 106</i>
<p>La temperatura si discosta notevolmente dall'impostazione.</p>	<p>Sono possibili diverse cause scatenanti.</p> <ol style="list-style-type: none"> 1. Spegnere l'apparecchio. → <i>Pagina 106</i> 2. Riaccendere l'apparecchio dopo circa 5 minuti. → <i>Pagina 106</i> <ul style="list-style-type: none"> – Se la temperatura è troppo elevata, controllarla di nuovo dopo qualche ora. – Se la temperatura è troppo bassa, controllarla di nuovo il giorno seguente.
<p>Sulla superficie dell'apparecchio e sui ripiani dell'apparecchio si forma condensa.</p>	<p>L'acqua contenuta nell'aria calda e umida condensa sulle superfici più fredde dell'apparecchio.</p> <ol style="list-style-type: none"> 1. Asciugare l'acqua con un panno morbido e asciutto. 2. Aprire l'apparecchio nel più breve tempo possibile. 3. Prestare attenzione che l'apparecchio sia sempre chiuso correttamente.

Anomalia	Causa e ricerca guasti
L'apparecchio emette rumori come gorgoglii, ronzii, scatti, scricchiolii.	Nessun guasto. Un motore è in funzione, ad es. gruppo frigorifero, ventola. Il refrigerante fluisce nei tubi. Motore, interruttori ed elettrovalvole si inseriscono o disinseriscono. Sbrinamento automatico eseguito correttamente. Nessun trattamento necessario.
L'apparecchio produce dei rumori.	L'apparecchio non è correttamente livellato. ▶ Posizionare l'apparecchio con una livella a bolla d'aria e dei piedini a vite. L'apparecchio non ha abbastanza spazio. ▶ Rispettare le distanze minime dell'apparecchio. Le parti dell'attrezzatura traballano o si incastrano. ▶ Controllare le parti estraibili ed eventualmente inserirle di nuovo correttamente. Le bottiglie o le stoviglie si toccano. ▶ Separare le bottiglie o le stoviglie. Super-congelamento è attivato. Nessun trattamento necessario.

14.1 Interruzione dell'alimentazione elettrica

Durante un'interruzione di corrente la temperatura nell'apparecchio aumenta, riducendo il tempo di conservazione e la qualità degli alimenti congelati.

Sul nostro sito web relativo all'apparecchio, all'interno dei dati tecnici è riportato il tempo di conservazione degli alimenti congelati in caso di anomalia.

Note

- Durante un'interruzione di corrente, aprire l'apparecchio il meno possibile e non conservare ulteriori alimenti.
- Controllare la qualità degli alimenti dopo l'interruzione dell'alimentazione elettrica.
 - Smaltire gli alimenti che si sono scongelati e hanno una temperatura superiore a 5 °C.
 - Cucinare gli alimenti leggermente scongelati e consumarli o congelarli di nuovo.

14.2 Esecuzione dell'autotest dell'apparecchio

L'apparecchio dispone di un autotest che indica i guasti che possono essere eliminati dal servizio di assistenza clienti.

1. Staccare l'apparecchio dalla rete elettrica.
Togliere la spina del cavo di alimentazione o disattivare il fusibile nella scatola dei fusibili.
2. Ricollegare elettricamente l'apparecchio dopo 5 minuti. → *Pagina 103*
3. Entro 10 secondi dopo il collegamento elettrico, tenere premuto per 3 - 5 secondi **Super**, finché non viene emesso un segnale acustico.

- ✓ Si avvia l'autotest dell'apparecchio.
- ✓ Durante l'autotest, di tanto in tanto viene emesso un lungo segnale acustico.
- ✓ Se al termine dell'autotest vengono emessi 2 segnali acustici e l'indicatore mostra la temperatura impostata, l'apparecchio funziona regolarmente. L'apparecchio passa al funzionamento normale.
- ✓ Se al termine dell'autotest viene emesso 5 volte il segnale acustico e **Super** lampeggia per 10 secondi, informare il servizio di assistenza clienti.

15 Stoccaggio e smaltimento

15.1 Messa fuori servizio dell'apparecchio

1. Staccare l'apparecchio dalla rete elettrica.
Togliere la spina del cavo di alimentazione o disattivare il fusibile nella scatola dei fusibili.
2. Estrarre tutti gli alimenti.
3. Pulire l'apparecchio. → *Pagina 113*
4. **ATTENZIONE!** Gli oggetti incastrati tra lo sportello e l'alloggiamento possono danneggiare la cerniera dello sportello.
 - ▶ Aprire lo sportello finché non resta aperto da solo.
 - ▶ Non incastrare alcun oggetto tra lo sportello e l'alloggiamento.
 Per garantire un'aerazione nel vano interno, lasciare aperto l'apparecchio.

15.2 Rottamazione di un apparecchio dismesso

Un corretto smaltimento nel rispetto dell'ambiente permette di recuperare materie prime preziose.

AVVERTENZA

Pericolo di danni alla salute!

I bambini possono restare chiusi nell'apparecchio, rischiando la vita.

- ▶ Per rendere difficile ai bambini l'ingresso nell'apparecchio, non rimuovere dal suo interno ripiani e contenitori.
- ▶ Tenere i bambini lontano dall'apparecchio dismesso.

AVVERTENZA

Pericolo di incendio!

In caso di danneggiamento dei tubi, il refrigerante infiammabile e i gas nocivi possono fuoriuscire e prendere fuoco.

- ▶ Non danneggiare i tubi del circuito refrigerante e l'isolamento.
1. Staccare la spina del cavo di alimentazione.
 2. Tagliare il cavo di alimentazione.
 3. Smaltire l'apparecchio nel rispetto dell'ambiente.

Per informazioni sulle attuali procedure di smaltimento rivolgersi al rivenditore specializzato o al comune di competenza.



Questo apparecchio dispone di contrassegno ai sensi della direttiva europea 2012/19/UE in materia di apparecchi elettrici ed elettronici

(waste electrical and electronic equipment - WEEE).

Questa direttiva definisce le norme per la raccolta e il riciclaggio degli apparecchi dismessi valide su tutto il territorio dell'Unione Europea.

16 Servizio di assistenza clienti

I ricambi originali rilevanti per il funzionamento secondo il corrispondente regolamento Ecodesign sono reperibili presso il nostro servizio di assistenza clienti per un periodo di almeno 10 anni a partire dalla messa in circolazione dell'apparecchio all'interno dello Spazio economico europeo.

Nota: L'intervento del servizio di assistenza clienti è gratuito nell'ambito delle condizioni di garanzia del produttore applicabili a livello locale. La durata minima della garanzia (garanzia del produttore per utenti privati) nello Spazio economico europeo è di 2 anni secondo le condizioni di garanzia applicabili a livello locale. Le condizioni di garanzia non producono alcun effetto su altri diritti o rivendicazioni spettanti conformemente al diritto locale.

Informazioni dettagliate sulla durata della garanzia e sulle condizioni di garanzia in ciascun Paese sono reperibili presso il nostro servizio di assistenza clienti, presso il proprio rivenditore o sul nostro sito Internet.

Quando si contatta il servizio di assistenza clienti sono necessari il codice prodotto (E-Nr.) e il codice di produzione (FD) dell'apparecchio.

I dati di contatto del servizio di assistenza clienti sono disponibili nell'elenco dei centri di assistenza allegato o sul nostro sito Internet.

16.1 Codice prodotto (E-Nr.) e codice di produzione (FD)

Il codice prodotto (E-Nr.) e il codice di produzione (FD) sono riportati sulla targhetta identificativa dell'apparecchio.

→ Fig. **1** / **6**

Annotare i dati dell'apparecchio e il numero di telefono del servizio di assistenza clienti per ritrovarli rapidamente.

17 Dati tecnici

Il refrigerante, il contenuto utile ed altri dati tecnici sono indicati sulla targhetta identificativa.

→ Fig. **1** / **6**

Il prodotto contiene una sorgente luminosa con classe di efficienza energetica F. Tale sorgente è disponibile come componente di ricambio e deve essere sostituita esclusivamente da personale qualificato.

Ulteriori informazioni sul modello scelto sono disponibili sul sito Internet <https://eprel.ec.europa.eu/>¹. Questo link rimanda alla pagina ufficiale del database europeo dei prodotti EPREL. Seguire quindi le indicazioni relative alla ricerca del modello. Si riconosce il modello dal segno prima della barra del codice prodotto (E-Nr.) sulla targhetta identificativa. In alternativa, l'indicazione del modello si trova anche nella prima riga dell'etichetta energetica UE.

¹ Valido solo per i Paesi dello Spazio economico europeo

Raadpleeg de Digitale Gebruikersgids voor meer informatie.



Inhoudsopgave

1 Veiligheid	124
1.1 Algemene aanwijzingen	124
1.2 Bestemming van het apparaat	124
1.3 Inperking van de gebruikers ..	124
1.4 Veiliger transport	124
1.5 Veilige installatie.....	125
1.6 Veilig gebruik.....	126
1.7 Beschadigd apparaat.....	128
2 Het voorkomen van materiële schade	130
3 Milieubescherming en besparing	130
3.1 Afvoeren van de verpakking ..	130
3.2 Energie besparen	130
4 Opstellen en aansluiten	131
4.1 Leveringsomvang	131
4.2 Criteria voor de opstellocatie ..	131
4.3 Apparaat monteren	132
4.4 Het apparaat voor het eerste gebruik voorbereiden	132
4.5 Apparaat elektrisch aansluiten.....	132
5 Uw apparaat leren kennen	132
5.1 Apparaat.....	132
5.2 Bedieningspaneel.....	132
6 Uitrusting	133
6.1 Legplateau.....	133
6.2 Flessenrek.....	133
6.3 Bewaarlade.....	133
6.4 Fruit- en groentelade met vochtigheidsregelaar	133
6.5 Boter- en kaasvak	134
6.6 Deurrekken.....	134
6.7 Accessoires.....	134
7 De Bediening in essentie	134
7.1 Apparaat inschakelen.....	134
7.2 Opmerkingen bij het gebruik	134
7.3 Machine uitschakelen.....	135
7.4 Temperatuur instellen.....	135
8 Extra functies	135
8.1 Superkoelen	135
8.2 Automatisch Supervriezen.....	136
8.3 Handmatig Supervriezen.....	136
8.4 Vakantiemodus.....	136
8.5 Energiebesparingsmodus	137
8.6 Versmodus	137
8.7 Sabbat-modus	137
9 Alarm	137
9.1 Deuralarm.....	137
9.2 Temperatuuralarm	138
10 Koelvak	138
10.1 Tips voor het bewaren van levensmiddelen in het koelvak	138
10.2 Koudezones in het koelvak ..	139
11 Vriesvak	139
11.1 Invriescapaciteit.....	139
11.2 Vriesvakvolume volledig gebruiken	139
11.3 Tips voor het bewaren van levensmiddelen in het vriesvak	139
11.4 Tips voor het bevriezen van verse levensmiddelen.....	140

11.5 Houdbaarheid van de diep- vrieswaren bij -18°C	140
11.6 Ontdooimethodes voor diepvrieswaren	140
12 Ontdooien	141
12.1 Ontdooien in het koelvak.	141
12.2 Ontdooien in het vriesvak	141
13 Reiniging en onderhoud	141
13.1 Apparaat voorbereiden voor reiniging.....	141
13.2 Apparaat schoonmaken	141
13.3 Onderdelen eruit halen.....	142
13.4 Apparaatonderdelen de- monteren	142
14 Storingen verhelpen	144
14.1 Stroomuitval.....	147
14.2 Apparaatzelftest uitvoeren....	147
15 Opslaan en afvoeren.....	147
15.1 Apparaat buiten gebruik stellen	147
15.2 Afvoeren van uw oude ap- paraat	148
16 Servicedienst.....	148
16.1 Productnummer (E-nr.) en productienummer (FD).....	149
17 Technische gegevens.....	149



1 Veiligheid

Neem de volgende veiligheidsvoorschriften in acht.

1.1 Algemene aanwijzingen

- Lees deze gebruiksaanwijzing zorgvuldig door.
- Bewaar de gebruiksaanwijzing en de productinformatie voor later gebruik of voor volgende eigenaren.
- Sluit het apparaat in geval van transportschade niet aan.

1.2 Bestemming van het apparaat

Gebruik het apparaat uitsluitend:

- om levensmiddelen te koelen en in te vriezen en voor de bereiding van ijsblokjes.
- voor huishoudelijk gebruik en in gesloten ruimtes binnen de huiselijke omgeving.
- tot een hoogte van 2000 m boven zeeniveau.

1.3 Inperking van de gebruikers

Dit apparaat kan worden bediend door kinderen vanaf 8 jaar en door personen met fysieke, sensorische of geestelijke beperkingen of met gebrekkige ervaring en/of kennis, indien zij onder toezicht staan of zijn geïnstrueerd in het veilige gebruik van het apparaat en de daaruit resulterende gevaren hebben begrepen.

Kinderen mogen niet met het apparaat spelen.

Reiniging en gebruikersonderhoud mogen niet worden uitgevoerd door kinderen indien deze niet onder toezicht staan.

Kinderen vanaf 3 jaar en jonger dan 8 jaar mogen de koelkast/diepvriezer vullen en legen.

1.4 Veiliger transport

WAARSCHUWING – Kans op letsel!

Het hoge gewicht van het apparaat kan bij het optillen letsels veroorzaken.

- ▶ Het apparaat niet alleen optillen.

1.5 Veilige installatie

⚠ WAARSCHUWING – Kans op elektrische schok!

Ondeskundige installaties zijn gevaarlijk.

- ▶ Het apparaat uitsluitend aansluiten en gebruiken volgens de gegevens op het typeplaatje.
- ▶ Het apparaat uitsluitend via een volgens de voorschriften geïnstalleerd stopcontact met randaarde op een stroomnet met wisselstroom aansluiten.
- ▶ Het randaardesysteem van de elektrische huisinstallatie moet conform de elektrotechnische voorschriften zijn geïnstalleerd.
- ▶ Nooit het apparaat via een externe schakelinrichting voeden, bijvoorbeeld een tijdschakelaar of besturing op afstand.
- ▶ Wanneer het apparaat is ingebouwd, moet de netstekker van de netaansluitkabel vrij toegankelijk zijn, of wanneer vrije toegang niet mogelijk is, moet in de vast geplaatste elektrische installatie een scheidingsinrichting volgens de installatievoorschriften zijn ingebouwd.
- ▶ Bij het opstellen van het apparaat erop letten dat het netsnoer niet wordt afgeklemd of beschadigd.

Een beschadigde isolatie van het netsnoer is gevaarlijk.

- ▶ Nooit het aansluitsnoer met warmtebronnen in contact brengen.

⚠ WAARSCHUWING – Kans op explosie!

Wanneer de ventilatie-openingen van het apparaat zijn gesloten, dan kan bij een lek van het koude circuit een brandbaar gas-luchtmengsel ontstaan.

- ▶ Sluit ventilatie-openingen in de behuizing van het apparaat of in de inbouwbehuizing niet af.

⚠ WAARSCHUWING – Kans op brand!

Het gebruik van een verlengd netsnoer en niet-toegestane adapters is gevaarlijk.

- ▶ Geen verlengsnoeren of meervoudige stopcontacten gebruiken.
- ▶ Alleen door de fabrikant goedgekeurde adapters en netsnoeren gebruiken.

- ▶ Wanneer het netsnoer te kort is en er geen langer netsnoer beschikbaar is, neem dan contact op met een elektrospciaalzaak om de huisinstallatie aan te passen.

Draagbare mobiele meervoudige stopcontacten of draagbare netvoedingen kunnen oververhit raken en tot brand leiden.

- ▶ Draagbare mobiele meervoudige stopcontacten of draagbare netvoedingen niet aan de achterkant van de apparaten plaatsen.

1.6 Veilig gebruik

⚠ WAARSCHUWING – Kans op elektrische schok!

Binnendringend vocht kan een elektrische schok veroorzaken.

- ▶ Gebruik het apparaat alleen in gesloten ruimtes.
- ▶ Stel het apparaat nooit bloot aan grote hitte en vochtigheid.
- ▶ Geen stoomreiniger of hogedrukreiniger gebruiken om het apparaat te reinigen.

⚠ WAARSCHUWING – Kans op verstikking!

Kinderen kunnen verpakkingsmateriaal over het hoofd trekken en hierin verstrikt raken en stikken.

- ▶ Verpakkingsmateriaal uit de buurt van kinderen houden.
- ▶ Laat kinderen niet met verpakkingsmateriaal spelen.

Kinderen kunnen kleine onderdelen inademen of inslikken en hierdoor stikken.

- ▶ Kleine onderdelen uit de buurt van kinderen houden.
- ▶ Kinderen niet met kleine onderdelen laten spelen.

⚠ WAARSCHUWING – Kans op explosie!

Door beschadiging van de koudemiddelkringloop kan brandbaar koudemiddel lekken en exploderen.

- ▶ Gebruik voor het versnellen van het ontdooien geen andere mechanische inrichtingen of andere middelen dan diegene die door de fabrikant zijn aanbevolen.
- ▶ Maak vastgevroren levensmiddelen met een stomp voorwerp los, bijv. met een steel van een houten lepel.

Producten met brandbare drijfgassen en explosieve stoffen kunnen exploderen, bijv. spuitbussen.

- ▶ Bewaar geen producten met brandbare drijfgassen en explosieve stoffen in het apparaat.

⚠ WAARSCHUWING – Kans op brand!

Elektrische apparaten binnenin het apparaat kunnen tot een brand leiden, bijv. verwarmingsapparaten of elektrische ijsbereiders.

- ▶ Gebruik geen elektrische apparaten binnenin het apparaat.

⚠ WAARSCHUWING – Kans op letsel!

Flessen of blikjes met koolzuurhoudende drank kunnen barsten.

- ▶ Geen flessen of blikjes met koolzuurhoudende drank in het vriesvak bewaren.

Letsel aan de ogen door lekkend brandbaar koudemiddel en schadelijke gassen.

- ▶ De buizen van de koudemiddelkringloop en de isolatie niet beschadigen.

Het apparaat kan kantelen.

- ▶ Niet op de plint, laden of deuren staat of leunen.

⚠ WAARSCHUWING – Kans op brandwonden!

Onderdelen aan de achterkant van het apparaat worden tijdens het gebruik heet.

- ▶ Raak de hete onderdelen nooit aan.

⚠ WAARSCHUWING – Kans op koude-brandwonden!

Contact met diepvrieswaren en koude oppervlakken kan tot brandwonden door koude leiden.

- ▶ Nooit diepvrieswaren in de mond nemen nadat deze uit het vriesvak werden genomen.
- ▶ Vermijd langer contact van de huid met diepvrieswaren, ijs en oppervlakken van het vriesvak.

⚠ VOORZICHTIG – Kans op gevaar voor de gezondheid!

Houd de volgende aanwijzingen aan om verontreiniging van levensmiddelen te voorkomen.

- ▶ Wanneer de deur langere tijd wordt geopend, kan dit leiden tot een aanzienlijke temperatuurstijging in de vakken van het apparaat.
- ▶ Maak de oppervlakken, die met levensmiddelen en toegankelijke afvoersystemen in contact komen, regelmatig schoon.
- ▶ Rauw vlees en vis in geschikte containers in de koelkast dusdanig bewaren dat het niet in contact komt met andere levensmiddelen of op deze drupt.
- ▶ Wanneer het koel-/vriesapparaat langere tijd leeg staat, het apparaat uitschakelen, ontdooien, reinigen en de deur open laten, om schimmelvorming te voorkomen.

Delen in het apparaat van metaal of met een metalen uiterlijk kunnen aluminium bevatten. Wanneer zure levensmiddelen in contact komen met aluminium in contact komen, dan kunnen aluminiumionen overdragen naar de levensmiddelen.

- ▶ Verontreinigde levensmiddelen niet consumeren.

1.7 Beschadigd apparaat

⚠ WAARSCHUWING – Kans op elektrische schok!

Een beschadigd apparaat of een beschadigd netsnoer is gevaarlijk.

- ▶ Nooit een beschadigd apparaat gebruiken.
- ▶ Nooit aan het netsnoer trekken, om het apparaat van het elektriciteitsnet te scheiden. Altijd aan de stekker van het netsnoer trekken.
- ▶ Wanneer het apparaat of het netsnoer is beschadigd, dan direct de stekker van het netsnoer uit het stopcontact halen of de zekering in de meterkast uitschakelen.
- ▶ Contact opnemen met de servicedienst. → *Pagina 148*

Ondeskundige reparaties zijn gevaarlijk.

- ▶ Alleen daarvoor geschoold vakpersoneel mag reparaties aan het apparaat uitvoeren.

- ▶ Er mogen uitsluitend originele reserveonderdelen worden gebruikt voor reparatie van het apparaat.
- ▶ Als het netsnoer van dit apparaat beschadigd raakt, moet het ter vermindering van risico's worden vervangen door de fabrikant, de servicedienst of een andere gekwalificeerde persoon.

⚠ WAARSCHUWING – Kans op brand!



Bij beschadiging van de leidingen kunnen brandbaar koudemiddel en schadelijke gassen ontsnappen en ontsteken.

- ▶ Houd vuur en ontstekingsbronnen uit de buurt van het apparaat.
- ▶ Ventileer de ruimte.
- ▶ Het apparaat uitschakelen. → *Pagina 135*
- ▶ De stekker van het netsnoer uit het stopcontact trekken of de zekering in de meterkast uitschakelen.
- ▶ Neem contact op met de service-afdeling. → *Pagina 148*

2 Het voorkomen van materiële schade

LET OP!

Het kantelen van de apparaatwielletjes kan bij het verschuiven van het apparaat de vloer beschadigen.

- ▶ Het apparaat met een steekwagen transporteren.
- ▶ Bij het verschuiven van het apparaat een vloerbescherming gebruiken en niet zigzag bewegen.

Door het gebruik van de plint, laden of apparaatdeuren als zitvlak of opstapje kan het apparaat beschadigd raken.

- ▶ Niet op de plint, laden of deuren staat of leunen.

Door verontreinigingen met olie of vet kunnen kunststofdelen en deurafdichtingen poreus worden.

- ▶ Houd kunststofdelen en deurafdichtingen olie- en vetvrij.

Delen in het apparaat van metaal of met een metalen uiterlijk kunnen aluminium bevatten. Aluminium reageert bij contact met zure levensmiddelen.

- ▶ Geen levensmiddelen onverpakt in het apparaat bewaren.

Wanneer u uitrustingsdelen en accessoires in de vaatwasser reinigt, kunnen deze vervormen of verkleuren.

- ▶ Nooit uitrustingsdelen en accessoires in de vaatwasser reinigen.

3 Milieubescherming en besparing

3.1 Afvoeren van de verpakking

De verpakkingsmaterialen zijn milieuvriendelijk en kunnen worden hergebruikt.

- ▶ De afzonderlijke componenten op soort gescheiden afvoeren.

3.2 Energie besparen

Als u deze aanwijzingen opvolgt, verbruikt uw apparaat minder stroom.

Keuze van de opstellingslocatie

- Stel het apparaat niet bloot aan direct zonlicht.
- Plaats het apparaat zo ver mogelijk van radiatoren, fornuis en andere warmtebronnen:
 - Houd 30 mm afstand aan tot elektrische- of gasfornuizen.
 - Houd 300 mm afstand aan tot olie- en kolenfornuizen.
- Houd een kleine afstand tot de zijwand aan.
- De externe ventilatieopeningen nooit afdekken of blokkeren.

Energie besparen bij het gebruik.

Opmerking: De plaatsing van de uitrustingsonderdelen heeft geen invloed op het energieverbruik van het apparaat.

- Open het apparaat slechts kort en sluit het zorgvuldig.
- De binnenste ventilatieopeningen of de externe ventilatieopeningen nooit afdekken of blokkeren.
- Transporteer gekoelde levensmiddelen in een koeltas en leg ze snel in het apparaat.

- Warm voedsel en dranken eerst laten afkoelen, daarna in het apparaat plaatsen.
- Leg om de koude van de diepvriesproducten te benutten, deze ter ontddooring in het koelvak.
- Laat altijd wat ruimte tussen de levensmiddelen en de achterwand.

4 Opstellen en aansluiten

4.1 Leveringsomvang

Controleer na het uitpakken alle onderdelen op transportschade en de volledigheid van de levering. Neem bij klachten met uw dealer of onze servicedienst → *Pagina 148* contact op.

De levering bestaat uit:

- Vrijstaand apparaat
- Uitrusting en accessoires¹
- Montagemateriaal
- Montagehandleiding
- Gebruiksaanwijzing
- Klantenservice overzicht
- Garantiebijlage²
- Energielabel
- Informatie over energieverbruik en geluiden

¹ Afhankelijk van de apparaatuitvoering

² Niet in alle landen

4.2 Criteria voor de opstelling

WAARSCHUWING **Kans op explosie!**

Wanneer het apparaat in een te kleine ruimte staat, kan er bij een lek van het koudecircuit een brandbaar gas-luchtmengsel ontstaan.

- ▶ Stel het apparaat uitsluitend op in een ruimte, welke tenminste een volume heeft van 1 m³ per 8 g koudemiddel. De hoeveelheid van het koudemiddel staat op het typeplaatje. → Fig. **1** / **6**

Het gewicht van het apparaat kan afhankelijk van het model tot 105 bedragen.

De ondergrond moet stabiel genoeg zijn om het gewicht van het apparaat te dragen.

Toegestane ruimtetemperatuur

De toegestane kamertemperatuur is afhankelijk van de klimaatklasse van het apparaat.

De klimaatklasse vindt u op het typeplaatje. → Fig. **1** / **6**

Klimaat-klasse	Toegestane ruimtetemperatuur
SN	10 °C...32 °C
N	16 °C...32 °C
ST	16 °C...38 °C
T	16 °C...43 °C

Het apparaat is volledig functioneel binnen de toegestane binnentemperatuur.

Wanneer u een apparaat van de klimaatklasse SN gebruikt bij lagere kamertemperaturen, dan kunnen be-

nl Uw apparaat leren kennen

schadigingen aan het apparaat tot een kamertemperatuur van 5 °C worden uitgesloten.

Over-and-Under- en Side-by-Side-opstelling

Als u 2 koeltoestellen boven of naast elkaar wilt opstellen, moet u tussen de toestellen minimaal een tussenafstand van 150 mm aanhouden. Voor bepaalde toestellen is een opstelling zonder minimumafstand mogelijk. Neem hiervoor contact op met uw dealer of keukinstallateur.

4.3 Apparaat monteren

- ▶ Het apparaat conform meegeleverde montagehandleiding monteren.

4.4 Het apparaat voor het eerste gebruik voorbereiden

1. Haal het informatiemateriaal er uit.
2. Verwijder de beschermfolie en transportborgingen, bijv. plakstrips en karton.
3. Het apparaat voor de eerste keer reinigen. → *Pagina 141*

4.5 Apparaat elektrisch aansluiten

1. De netstekker van het aansluit-snoer van het apparaat in een stopcontact in de omgeving van het apparaat steken.
De aansluitgegevens van het apparaat staan op het typeplaatje.
→ *Fig. 1 / 6*
 2. De netstekker op vastheid controleren.
- ✓ Het apparaat is nu gereed voor gebruik.

5 Uw apparaat leren kennen

5.1 Apparaat

Hier vindt u een overzicht van de onderdelen van uw apparaat.

→ *Fig. 1*

A	Koelvak → <i>Pagina 138</i>
B	Vriesvak → <i>Pagina 139</i>
1	Bedieningspaneel → <i>Pagina 132</i>
2	Verlichting
3	Flessenrek → <i>Pagina 133</i>
4	Interne ventilatie-opening
5	Temperatuurregelaar (lade) → <i>Pagina 135</i>
6	Typeplaatje → <i>Pagina 149</i>
7	Bewaarlade → <i>Pagina 133</i>
8	Fruit- en groentelade met vochtigheidsregelaar → <i>Pagina 133</i>
9	Diepvrieslade → <i>Pagina 142</i>
10	Stelvoet
11	Deurrek voor grote flessen → <i>Pagina 134</i>

Opmerking: Verschillen tussen uw apparaat en de afbeeldingen zijn mogelijk op basis van uitrusting en grootte.

5.2 Bedieningspaneel

Via het bedieningsveld kunt u alle functies van uw apparaat instellen en informatie krijgen over de gebruikstoestand.

→ *Fig. 2*

1	Toont de ingestelde temperatuur van het koelvak in °C.
2	—/+ stelt de temperatuur van het koelvak in.
3	Alarm schakelt het waarschuwingssignaal uit.
4	Toont de ingestelde temperatuur van het vriesvak in °C.
5	—/+ stelt de temperatuur van het vriesvak in.
6	Super (Cooler) schakelt Superkoelen in of uit.
7	Fresh schakelt de Fris-modus in of uit.
8	Eco schakelt de energiebesparingsmodus in of uit.
9	Vacation schakelt de vakantie-modus in of uit.
10	ⓁOn/Off schakelt het apparaat in of uit.
11	Super (Freezer) schakelt Supervriezen in of uit.

6 Uitrusting

De uitrusting van uw apparaat is modelafhankelijk.

6.1 Legplateau

Om de schappen naar wens te variëren, kunt u het schap uitnemen en op een andere positie weer plaatsen.

→ "Plateau verwijderen", Pagina 142

6.2 Flessenrek

Bewaar flessen veilig op het flessenrek.

Om het flessenrek naar wens te variëren, kunt u het flessenrek verwijderen en op een andere plaats weer terugzetten.

→ "Plateau verwijderen", Pagina 142

6.3 Bewaarlade

In de bewaarlade heersen lagere temperaturen dan in het koelvak. Temperaturen onder 0 °C kunnen tijdelijk optreden.

Gebruik de lagere temperaturen in de lade om snel bedervende levensmiddelen te bewaren, bijv. vis, vlees en worst.

6.4 Fruit- en groentelade met vochtigheidsregelaar

Bewaar vers fruit en groente onverpakt in de fruit- en groentelade. Bewaar gesneden fruit en groente afgedekt of luchtdicht verpakt.

Met de vochtigheidsregelaar en een speciale afdichting kunt u de luchtvochtigheid in de fruit- en groentelade aanpassen. Hierdoor kunt u vers fruit en verse groente tot tweemaal zo lang bewaren als bij een conventionele bewaarmethode.

→ Fig. 3

De luchtvochtigheid in de fruit- en groentelade kunt u afhankelijk van het soort en de hoeveelheid bewaarde levensmiddelen door te drukken op de vochtigheidsregelaar instellen:

- Lage luchtvochtigheid Δ bij overwegend bewaren van fruit, gemengde- of hoge belading.
- Hoge luchtvochtigheid $\Delta\Delta\Delta$ bij overwegend bewaren van groente of bij geringe belading.

Afhankelijk van de soort levensmiddelen en de hoeveelheid kan zich in de fruit- en groentelade condenswater vormen.

Het condenswater verwijderen met een droge doek en een lage luchtvochtigheid via de vochtigheidsregelaar instellen.

Om ervoor te zorgen dat de kwaliteit en het aroma behouden blijven, moet u koudegevoelig fruit en groente buiten het apparaat bewaren bij temperaturen van ca. 8 °C tot 12 °C, bijv. ananas, bananen, citrusvruchten, augurken, courgette, paprika, tomaten en aardappelen.

6.5 Boter- en kaasvak

Bewaar boter en harde kaas in het boter- en kaasvak.

6.6 Deurrekken

Om het deurrek naar behoefte te variëren kunt u het deurrek er uit nemen en op een andere positie weer plaatsen.

→ "Deurrek verwijderen", Pagina 142

6.7 Accessoires

Gebruik alleen originele accessoires. Deze zijn op het apparaat afgestemd. De accessoires van het apparaat zijn afhankelijk van het model.

Eierplateau

Bewaar eieren veilig op het eierplateau.

Flessenhouder

De flessenhouder voorkomt dat flessen bij het openen en sluiten van de apparaatdeur kantelen.

→ Fig. 4

Ijsblokjeschaal

Gebruik de ijsblokjeschaal om ijsblokjes te maken.

Ijsblokjes maken

Gebruik voor het maken van ijsblokjes uitsluitend drinkwater.

1. Vul de schaal voor ijsblokjes voor $\frac{3}{4}$ met drinkwater en plaats deze in het diepvriesvak.

Vastgevroren ijsblokjeschaal alleen met een bot voorwerp, bijv. steel van een lepel, losmaken.

2. Om de ijsblokjeschaal los te maken de ijsblokjeschaal iets torderen of kort onder stromend water houden.

7 De Bediening in essentie

7.1 Apparaat inschakelen

1. Het apparaat elektrisch aansluiten.
→ Pagina 132
 - ✓ Het apparaat begint te koelen.
 - ✓ Er weerklinkt een waarschuwingssignaal, de temperatuurindicatie (vriesvak) knippert en Alarm brandt omdat het vriesvak nog te warm is.
2. Het waarschuwingssignaal met Alarm uitschakelen.
 - ✓ Alarm gaat uit zodra de ingestelde temperatuur is bereikt.
3. De gewenste temperatuur instellen.
→ Pagina 135

7.2 Opmerkingen bij het gebruik

- Wanneer u het apparaat heeft ingeschakeld, duurt het tot enkele uren voordat de ingestelde temperatuur wordt bereikt. Plaats geen levensmiddelen in het apparaat voordat de ingestelde temperatuur is bereikt.
- De kopzijden van de behuizing worden tijdelijk licht verwarmd. Dit voorkomt vorming van condenswater in de zone van de deurafdichting.

- Wanneer u de deur sluit, kan een onderdruk ontstaan. De deur gaat dan alleen moeilijker open. Wacht een ogenblik tot de onderdruk wordt gecompenseerd.
- De temperatuur in het apparaat varieert door de volgende condities:
 - Het aantal keer dat het apparaat wordt geopend
 - Beladingshoeveelheid
 - Temperatuur van de vers opgeslagen levensmiddelen
 - Omgevingstemperatuur
 - Direct instralend zonlicht

7.3 Machine uitschakelen

- ▶ Haal de stekker van het apparaat uit het stopcontact. De stekker van het netsnoer uit het stopcontact trekken of de zekering in de meterkast uitschakelen.

7.4 Temperatuur instellen

Koelvaktemperatuur instellen

- ▶ Zo vaak op $-/+$ drukken tot de temperatuurindicatie (koelvak) de gewenste temperatuur toont.
Schuif om de ingestelde temperatuur te bereiken, de temperatuurregelaar van de bewaarlade op $\frac{1}{3}$ -stand van onderen. → *Pagina 135*
De aanbevolen temperatuur in het koelvak bedraagt 4 °C.

Bewaartemperatuur instellen

1. Om de temperatuur te verlagen, de temperatuurregelaar in richting schuiven.
2. Om de temperatuur te verhogen, de temperatuurregelaar in richting schuiven.

→ Fig. **5**

Vriesvaktemperatuur instellen

- ▶ Zo vaak op $-/+$ drukken tot de temperatuurindicatie (vriesvak) de gewenste temperatuur toont.
De aanbevolen temperatuur in het vriesvak bedraagt -18 °C.

8 Extra functies

Kom te weten over welke instelbare extra functies uw apparaat beschikt.

8.1 Superkoelen

Bij het Superkoelen koelt het koelvak zo koud mogelijk.
Schakel Superkoelen vóór het inladen van grote hoeveelheden levensmiddelen in.

Opmerking: Als Superkoelen is ingeschakeld, kan er meer geluid ontstaan.

Schakel Superkoelen in

- ▶ Druk op Super (Cooler).
- ✓ Super (Cooler) brandt.

Opmerking: Na ca. 6 uur schakelt het apparaat over op de normale werking.

Superkoelen uitschakelen

- ▶ Druk op Super (Cooler).
- ✓ De voordien ingestelde temperatuur wordt op indicatie aangegeven.

8.2 Automatisch Supervriezen

Bij het automatisch Supervriezen koelt het vriesvak duidelijk op een lagere temperatuur dan bij de normale werking. Hierdoor bevroren de levensmiddelen sneller tot in de kern. De automatische Supervriezen schakelt in als u verse levensmiddelen van links beginnend in de onderste diepvrieslade legt.

Als het automatische Supervriezen is ingeschakeld, brandt Super (Freezer) en er kunnen meer geluiden ontstaan.

Het apparaat schakelt na het verstrijken van het automatisch Supervriezen op normale werking.

Automatisch Supervriezen annuleren

- ▶ Druk op Super (Freezer).
- ✓ De voordien ingestelde temperatuur wordt op indicatie aangegeven.

8.3 Handmatig Supervriezen

Bij het Supervriezen koelt het vriesvak zo koud mogelijk.

Schakel Supervriezen 4 tot 6 uur voor het inladen van een hoeveelheid levensmiddelen vanaf 2 kg in het vriesvak in.

Om het invriesvermogen te benutten, gebruikt u Supervriezen.

→ "Voorwaarden voor invriesvermogen", Pagina 139

Opmerking: Als Supervriezen is ingeschakeld, kan er meer geluid ontstaan.

Handmatig Supervriezen inschakelen

- ▶ Druk op Super (Freezer).
- ✓ Super (Freezer) brandt.

Opmerking: Na ca. 60 uur schakelt het apparaat over op de normale werking.

Handmatig Supervriezen uitschakelen

- ▶ Druk op Super (Freezer).
- ✓ De voordien ingestelde temperatuur wordt op indicatie aangegeven.

8.4 Vakantiemodus

Als u langere tijd afwezig bent, kunt u het apparaat in de energiebesparende vakantiemodus schakelen.

VOORZICHTIG

Kans op gevaar voor de gezondheid!

Terwijl de vakantiemodus is ingeschakeld, warmt het koelvak op. Door de verhoogde temperatuur kunnen bacteriën zich vermenigvuldigen en de levensmiddelen bederven.

- ▶ Bij een ingeschakelde vakantiemodus geen levensmiddelen in het koelvak bewaren.

Het apparaat stelt de temperaturen automatisch om.

Koelvak	6 °C
Vriesvak	Temperatuur ongewijzigd

Vakantiemodus inschakelen

- ▶ Druk op Vacation.
- ✓ Vacation brandt.

Vakantiemodus uitschakelen

- ▶ Vacation indrukken.
- ✓ De voordien ingestelde temperatuur wordt op indicatie aangegeven.

8.5 Energiebesparingsmodus

Met de energiebesparingsmodus schakelt u het apparaat naar de energiebesparende werking om. Het apparaat stelt de temperaturen automatisch om.

Koelvak	8 °C
Vriesvak	-16 °C

Energiebesparingsmodus inschakelen

- ▶ Druk op Eco.
- ✓ Eco brandt.

Energiebesparingsmodus uitschakelen

- ▶ Eco indrukken.
- ✓ De voordien ingestelde temperatuur wordt op indicatie aangegeven.

8.6 Versmodus

Om de levensmiddelen langer vers te houden kunt u de verskoelmodus van het apparaat inschakelen. Het apparaat stelt de temperaturen automatisch om.

Koelvak	2 °C
Vriesvak	Temperatuur ongewijzigd

Versmodus inschakelen

- ▶ Fresh indrukken.
- ✓ Fresh is verlicht.

Versmodus uitschakelen

- ▶ Fresh indrukken.
- ✓ De voordien ingestelde temperatuur wordt op indicatie aangegeven.

8.7 Sabbat-modus

Opdat u het apparaat ook op sabbat kunt gebruiken, schakelt de Sabbat-modus alle niet absoluut benodigde functies uit.

Tijdens de Sabbat-modus zijn de volgende functies uitgeschakeld:

- Superkoelen
- Automatische Supervriezen en handmatige Supervriezen
- Alarm
- Binnenverlichting
- Akoestische signalen
- Meldingen op het bedieningspaneel

Opmerking: Tijdens de Sabbat-modus is de verlichting van het bedieningspaneel gedimd.

Sabbat-modus inschakelen

- ▶ Super (Freezer) 15 seconden ingedrukt houden.

Opmerking: Na ca. 80 uur schakelt het apparaat over op de normale werking.

Sabbat-modus uitschakelen

- ▶ Super (Freezer) 15 seconden ingedrukt houden.

9 Alarm

9.1 Deuralarm

Als de deur van het apparaat langere tijd open staat wordt het deuralarm ingeschakeld.

Er klinkt een waarschuwingssignaal en Alarm knippert.

Deuralarm uitschakelen

- ▶ De apparaatdeur sluiten of op Alarm drukken.

nl Koelvak

- ✓ Het waarschuwingssignaal is uitgeschakeld.
- ✓ Alarm verdwijnt.

9.2 Temperaturalarm

Wanneer het te warm is in het vriesvak, wordt het temperaturalarm geactiveerd.

Er klinkt een waarschuwingssignaal, de ingestelde temperatuur (vriesvak) en Alarm knipperen.

VOORZICHTIG

Kans op gevaar voor de gezondheid!

Bij het ontdooien kunnen bacteriën zich vermeerderen en kunnen de diepvrieswaren bederven.

- ▶ Half of geheel ontdooid diepvrieswaren niet opnieuw invriezen.
- ▶ Het voedsel pas na koken of braden opnieuw invriezen.
- ▶ De maximale bewaartijd niet meer ten volle benutten.

Het temperaturalarm kan in de volgende gevallen inschakelen:

- Het apparaat wordt in gebruik genomen.
Levensmiddelen pas in het apparaat inruimen wanneer de ingestelde temperatuur is bereikt.
- Er worden grote hoeveelheden verse levensmiddelen ingeruimd.
Voor het in het apparaat inruimen van grote hoeveelheden levensmiddelen Supervriezen inschakelen.
- De deur van het vriesvak is te lang geopend.
Controleer of het diepvriesproduct deels of geheel is ontdooid.

Temperaturalarm uitschakelen

- ▶ Alarm indrukken.
- ✓ Het waarschuwingssignaal is uitgeschakeld.

- ✓ De temperatuurindicatie (vriesvak) geeft kort de warmste temperatuur weer die in het vriesvak heeft gehaald. Daarna toont de temperatuurindicatie (vriesvak) opnieuw de ingestelde temperatuur.
- ✓ Vanaf dit moment wordt de warmste temperatuur opnieuw bepaald en in het geheugen opgeslagen.
- ✓ Alarm brandt als de ingestelde temperatuur opnieuw is bereikt.

10 Koelvak

In het koelvak kunt u vlees, worst, vis, melkproducten, eieren, bereide gerechten en brood en banket bewaren.

De temperatuur is van 2 °C tot 8 °C instelbaar.

Door de koelopslag kunt u ook licht bederfelijke levensmiddelen op korte of middellange termijn bewaren. Hoe lager de gekozen temperatuur is, des te langer blijven de levensmiddelen vers.

10.1 Tips voor het bewaren van levensmiddelen in het koelvak

- Alleen verse en onbeschadigde levensmiddelen inruimen.
- Bewaar de levensmiddelen luchtdicht verpakt of afgedekt.
- Om de luchtcirculatie niet te hinderen en het bevroren van levensmiddelen te vermijden, de levensmiddelen niet vóór de inwendige ventilatieopeningen of direct tegen de achterwand plaatsen.
- Laat warme etenswaren en dranken eerst afkoelen.
- Houd de door de fabrikant vermelde houdbaarheidsdatum of gebruiksdatum in acht.

10.2 Koudezones in het koelvak

Door de luchtcirculatie in et koelvak ontstaan verschillende koudezones.

Koudste zone

De koudste zone bevindt zich in de bewaarlade.

Tip: Bewaar snel bedervende levensmiddelen in de koudste zone, bijv. vis, worst en vlees.

Warmste zone

De warmste zone bevindt zich helemaal bovenaan in de deur.

Tip: Bewaar minder gevoelige levensmiddelen in de warmste zone, bijv. harde kaas en boter. Hierdoor komt het aroma van de kaas beter tot ontwikkeling en blijft de boter smeerbaar.

11 Vriesvak

In het vriesvak kunt u diepvrieswaren bewaren, levensmiddelen bevroren en ijsblokjes maken.

De temperatuur is van -16 °C tot -24 °C instelbaar.

Langdurig bewaren van levensmiddelen moet op een temperatuur van -18 °C of lager gebeuren.

Door het invriezen kunt u bederfelijke levensmiddelen gedurende lange tijd bewaren. De lage temperaturen vertragen of stoppen het bederven.

11.1 Invriescapaciteit

Het invriesvermogen geeft aan welke hoeveelheid levensmiddelen in hoeveel uur tot in de kern kan worden ingevroren.

Informatie over het invriesvermogen vindt u op het typeplaatje. → Fig. **1**/

6

Voorwaarden voor invriesvermogen

1. Ca. 24 uur vóór het inladen van verse levensmiddelen, Supervriezen inschakelen.
→ "*Handmatig Supervriezen inschakelen*", Pagina 136
2. De levensmiddelen eerst in de onderste diepvrieslade leggen.

11.2 Vriesvakvolume volledig gebruiken

Kom te weten hoe u de maximale hoeveelheid diepvriesproducten in het vriesvak kunt doen.

1. Alle uitrustingsdelen verwijderen.
→ Pagina 142
2. De levensmiddelen rechtstreeks op de plateaus en de bodem van het vriesvak bewaren.

11.3 Tips voor het bewaren van levensmiddelen in het vriesvak

- Bewaar de levensmiddelen luchtdicht verpakt.
- Breng in te vriezen levensmiddelen niet in aanraking met ingevroren levensmiddelen.
- De levensmiddelen naast elkaar in de diepvriesladen leggen.
- Voor een goede luchtcirculatie in het apparaat de diepvrieslade tot aan de aanslag inschuiven.

11.4 Tips voor het bevriezen van verse levensmiddelen

- Alleen verse en onberispelijke levensmiddelen bevriezen.
- Levensmiddelen per portie invriezen.
- Bereide levensmiddelen zijn beter geschikt dan rauw eetbare levensmiddelen.
- Groente vóór het invriezen wassen, kleiner maken en blancheren.
- Fruit vóór het invriezen wassen, ontpitten en eventueel schillen, eventueel suiker of ascorbinezuuroplossing toevoegen.
- Voor het invriezen geschikte levensmiddelen zijn bijv. bakwaren, vis en zeevruchten, vlees, wild en gevogelte, eieren zonder schaal, kaas, boter, kwark, kant-en-klaargerechten en etensresten.
- Voor het invriezen ongeschikte levensmiddelen zijn bijv. kropsla, radijsjes, eieren met schaal, druiven, rode appels en peren, yoghurt, zure room, crème fraîche en mayonaise.

Diepvrieswaren verpakken

Geschikt verpakkingsmateriaal en de juiste soort verpakking behouden in hoge mate de productkwaliteit en vermijden vriesbrand.

1. De levensmiddelen in de verpakking leggen.
2. De lucht eruit drukken.
3. De verpakking luchtdicht afsluiten om te voorkomen dat de levensmiddelen hun smaak verliezen of uitdrogen.
4. De verpakking met de inhoud van de invriesdatum voorzien.

11.5 Houdbaarheid van de diepvrieswaren bij -18°C

Product	Bewaartijd
Vis, worst, klaarge- maakte gerechten, brood en banket	Tot 6 maanden
Gevogelte, vlees	Tot 8 maanden
Groente, fruit	Tot 12 maanden

De erop gedrukte vrieskalender geeft de maximale bewaartijd in maanden aan bij een constante temperatuur van -18°C .

11.6 Ontdooimethodes voor diepvrieswaren



VOORZICHTIG

Kans op gevaar voor de gezondheid!

Bij het ontdooien kunnen bacteriën zich vermeerderen en kunnen de diepvrieswaren bederven.

- ▶ Half of geheel ontdooide diepvrieswaren niet opnieuw invriezen.
- ▶ Het voedsel pas na koken of braden opnieuw invriezen.
- ▶ De maximale bewaartijd niet meer ten volle benutten.
- Dierlijke levensmiddelen in het koelvak ontdooien, bijv. vis, vlees, kaas en kwark.
- Brood bij kamertemperatuur ontdooien.
- Levensmiddelen voor directe consumptie in de magnetron, in de oven of op het fornuis bereiden.

12 Ontdooien

12.1 Ontdooien in het koelvak.

Het koelvak van uw apparaat ontdooit automatisch.

12.2 Ontdooien in het vriesvak

Door het volledig automatische “NoFrost”-systeem blijft het vriesvak vorstvrij. Ontdooien is niet nodig.

13 Reiniging en onderhoud

Reinig en onderhoud uw apparaat zorgvuldig om er voor te zorgen dat het lang goed blijft werken. De reiniging van ontoegankelijke plaatsen moet door de servicedienst worden uitgevoerd. Aan de reiniging door de servicedienst kunnen kosten verbonden zijn.

13.1 Apparaat voorbereiden voor reiniging

1. Haal de stekker van het apparaat uit het stopcontact.
De stekker van het netsnoer uit het stopcontact trekken of de zekering in de meterkast uitschakelen.
2. Alle levensmiddelen eruit halen en op een koele plaats bewaren.
Indien beschikbaar koelelementen op de levensmiddelen leggen.
3. Verwijder alle uitrustingsdelen en accessoires uit het apparaat.
→ *Pagina 142*

4. Legplateau boven de fruit- en groentelade verwijderen.
→ *Pagina 142*

13.2 Apparaat schoonmaken

WAARSCHUWING **Kans op elektrische schok!**

Binnendringend vocht kan een schok veroorzaken.

- ▶ Geen stoomreiniger of hogedrukreiniger gebruiken om het apparaat te reinigen.
- Vloeistof in de verlichting, in de bedieningselementen of in de interne ventilatie-openingen kan gevaarlijk zijn.
- ▶ Het afwaswater mag niet in de verlichting, in de bedieningselementen of in de inwendige ventilatie-openingen terechtkomen.

LET OP!

Ongeschikte reinigingsmiddelen kunnen de oppervlakken van het apparaat beschadigen.

- ▶ Geen harde schuur- of afwaspsonsjes gebruiken.
 - ▶ Geen scherpe of schurende reinigingsmiddelen gebruiken.
 - ▶ Geen sterk alcoholhoudende reinigingsmiddelen gebruiken.
- Wanneer u uitrustingsdelen en accessoires in de vaatwasser reinigt, kunnen deze vervormen of verkleuren.
- ▶ Nooit uitrustingsdelen en accessoires in de vaatwasser reinigen.

1. Apparaat voorbereiden voor reiniging. → *Pagina 141*
2. Het apparaat, de uitrustingsdelen, de accessoires en de deurafdichtingen met een vaatdoek, lauw water en een beetje pH-neutraal afwasmiddel reinigen.
3. Met een zachte, droge doek grondig nadrogen.

4. De uitrustingsdelen plaatsen en de apparaatdelen inbouwen.
5. Het apparaat elektrisch aansluiten.
→ *Pagina 132*
6. Doe de levensmiddelen in het apparaat.

13.3 Onderdelen eruit halen

Neem wanneer u de uitrustingsdelen grondig wilt reinigen deze uit het apparaat.

Plateau verwijderen

- ▶ Het plateau er uit trekken, optillen en verwijderen.
→ *Fig. 6*

Deurrek verwijderen

- ▶ Het deurrek omhoog tillen en verwijderen.
→ *Fig. 7*

Bewaarlade verwijderen

- ▶ De bewaarlade aan de voorkant laten zakken ① en verwijderen ②.
→ *Fig. 8*

Groente- en fruitlade verwijderen

1. De fruit- en groentelade tot de aanslag uittrekken.
2. Til de fruit- en groentelade aan de voorzijde op ① en verwijder deze ②.
→ *Fig. 9*

Diepvrieslade verwijderen

1. De diepvrieslade tot aan de aanslag uittrekken.
2. De diepvrieslade vooraan optillen ① en eruit halen ②.
→ *Fig. 10*

Ladefront verwijderen

U kunt het ladefront van de fruit- en groentelade verwijderen voor het gemakkelijker schoonmaken.

- ▶ Druk de klikhaken aan de zijkant van de lade in ① en verwijder het ladefront middels een draaibeweging van de lade ②.
→ *Fig. 11*

13.4 Apparaatonderdelen demonteren

Als u uw apparaat grondig wilt reinigen, kunt u bepaalde onderdelen uit uw apparaat demonteren.

Legplateau boven de fruit- en groentelade

Om de afdekking van de fruit- en groentelade grondig te reinigen, kunt u deze demonteren.

Legplateau boven de fruit- en groentelade verwijderen

1. De fruit- en groentelade verwijderen. → *Pagina 142*
2. Verwijder de lade. → *Pagina 142*
3. Het plateau boven de fruit- en groentelade zijwaarts kantelen ① en verwijderen ②.
→ *Fig. 12*
4. De fruit- en groentelade-afdekking optillen ① en verwijderen ②.
→ *Fig. 13*

Legplateau boven de fruit- en groentelade inbouwen

1. De fruit- en groentelade-afdekking inhaken.
→ *Fig. 14*
2. Het plateau boven de fruit- en groentelade naar de zijkant gekanteld plaatsen ① en neerlaten ②.
→ *Fig. 15*

3. De vochtigheidsregelaar in de voorste positie brengen.

→ Fig. **16**

Let er op dat de afdekking van de fruit-en groentelade in de opening onder de vochtigheidsregelaar zit.

4. De koude lade en de fruit- en groentelade plaatsen.

→ Fig. **17**

14 Storingen verhelpen

Kleinere storingen aan het apparaat kunt u zelf verhelpen. Raadpleeg voordat u contact opneemt met de klantenservice de informatie over het verhelpen van storingen. Zo voorkomt u onnodige kosten.

WAARSCHUWING

Kans op elektrische schok!

Ondeskundige reparaties zijn gevaarlijk.

- ▶ Alleen daarvoor geschoold vakpersoneel mag reparaties aan het apparaat uitvoeren.
- ▶ Er mogen uitsluitend originele reserveonderdelen worden gebruikt voor reparatie van het apparaat.
- ▶ Als het netsnoer van dit apparaat beschadigd raakt, moet het ter vermindering van risico's worden vervangen door de fabrikant, de servicedienst of een andere gekwalificeerde persoon.

Storing	Oorzaak en probleemoplossing
Apparaat koelt niet, indicaties en verlichting branden.	Het presentatielicht is ingeschakeld. <ol style="list-style-type: none"> 1. Houd Alarm 9 tot 11 seconden ingedrukt tot een geluidssignaal te horen is. 2. Controleer na korte tijd of uw apparaat koelt.
LED-verlichting functioneert niet.	Verschillende oorzaken zijn mogelijk. <ul style="list-style-type: none"> ▶ Neem contact op met de servicedienst. <p>Het nummer van de servicedienst vindt u in het bijgevoegde overzicht van servicediensten.</p>
Zijpanelen van het apparaat zijn warm.	Geen storing. In de zijwanden lopen buizen welk tijdens het koelproces warm worden. Meubels die tegen het apparaat staan, worden niet beschadigd door de warmte. Geen handeling vereist. Geen handeling vereist.
E of d verschijnt op het temperatuurdisplay.	De elektronica heeft een fout geconstateerd. <ol style="list-style-type: none"> 1. Schakel het apparaat uit. → <i>Pagina 135</i> 2. Koppel het apparaat los van de voedingspanning. Haal stekker van het netsnoer uit het stopcontact trekken of schakel de zekering in de meterkast uit. 3. Sluit het apparaat na 5 minuten weer aan. 4. Verschijnt de melding nog steeds, neem dan contact op met de servicedienst. <p>Het nummer van de servicedienst vindt u in het bijgevoegde overzicht van servicediensten.</p>

Storing	Oorzaak en probleemoplossing
<p>Er klinkt een waarschuwingssignaal en Alarm knippert.</p> <p>Het deuralarm is ingeschakeld.</p>	<p>Deur van het apparaat is open.</p> <ul style="list-style-type: none"> ▶ Sluit de deur van het apparaat.
<p>Er klinkt een waarschuwingssignaal, het temperatuurdisplay (vriesvak) en Alarm knipperen.</p> <p>Temperatuuralarm is ingeschakeld.</p>	<p>Verschillende oorzaken zijn mogelijk.</p> <ol style="list-style-type: none"> 1. Druk op Alarm. ✓ Schakel het alarm uit. 2. Controleer na enkele uren of de ingestelde temperatuur in het vriesvak is bereikt. <hr/> <p>Externe ventilatieopeningen zijn afgedekt.</p> <ul style="list-style-type: none"> ▶ Verwijder hindernissen vóór de externe ventilatieopeningen.
<p>Er zijn grotere hoeveelheden verse levensmiddelen ingeruimd.</p>	<ul style="list-style-type: none"> ▶ Schakel Supervriezen vóór het opslaan van een grotere hoeveelheid levensmiddelen in. → "Handmatig Supervriezen inschakelen", Pagina 136
<p>Ingestelde temperatuur wordt niet bereikt.</p> <p>Volautomatische ontdooien werkt niet meer.</p>	<p>De deur van het vriesvak was te lang geopend. Er zit heel veel ijs op de verdamper (koudegenerator) in het NoFrost-systeem.</p> <p>Vereiste: De diepvrieswaren zijn goed geïsoleerd en worden op een koele plaats bewaard.</p> <ol style="list-style-type: none"> 1. Schakel het apparaat uit. → Pagina 135 2. Koppel het apparaat los van de voedingsspanning. Haal stekker van het netsnoer uit het stopcontact trekken of schakel de zekering in de meterkast uit. 3. Breng het apparaat weg van de muur. 4. Laat de deur van het apparaat open. ✓ Na ca. 20 minuten begint het dooiwater in de dooiwateropvangschaal aan de achterwand van het apparaat te lopen. → Fig. 18 5. Om te voorkomen dat de dooiwateropvangschaal overloopt: het dooiwater met een spons opzuigen. De verdamper is ontdooid als er geen dooiwater meer in de dooiwateropvangschaal loopt. 6. Reinig de binnenruimte van het apparaat. → Pagina 141 7. Schakel het apparaat weer in. → Pagina 134

Storing	Oorzaak en probleemoplossing
Temperatuur wijkt erg af van de instelling.	<p>Verschillende oorzaken zijn mogelijk.</p> <ol style="list-style-type: none"> 1. Schakel het apparaat uit. → <i>Pagina 135</i> 2. Schakel het apparaat na ca. 5 minuten opnieuw in. → <i>Pagina 134</i> <ul style="list-style-type: none"> – Als de temperatuur te hoog is, controleer dan de temperatuur na een paar uur opnieuw. – Als de temperatuur te laag is, controleer de temperatuur dan de volgende dag opnieuw.
Op het oppervlak van het apparaat en de plateaus in het apparaat vormt zich condenswater.	<p>De waterdamp in warme en vochtige lucht condenseert op de koudere oppervlakken van het apparaat.</p> <ol style="list-style-type: none"> 1. Neem het water af met een zachte, droge doek. 2. Open het apparaat zo kort mogelijk. 3. Let er op dat het apparaat altijd goed wordt gesloten.
Het apparaat broemt, borrelt, zoemt, gorgelt, klikt, of maakt knakgeluiden.	<p>Geen storing. Een motor draait, bijv. koelaggregaat, ventilator. Er stroomt koudemiddel door de buizen. Motor, schakelaars of magneetventielen schakelen in- of uit. Het automatische ontdooisysteem treedt in werking.</p> <p>Geen handeling vereist. Geen handeling vereist.</p>
Apparaat produceert geluiden.	<p>Het apparaat staat niet waterpas.</p> <ul style="list-style-type: none"> ▶ Stel het apparaat horizontaal met behulp van een waterpas en de stelvoeten. <hr/> <p>Apparaat is niet vrijstaand.</p> <ul style="list-style-type: none"> ▶ Houd de minimum afstanden van het apparaat aan. <hr/> <p>Uitrustingsdelen wiebelen of klemmen.</p> <ul style="list-style-type: none"> ▶ Controleer de uitneembare uitrustingsdelen en zet ze eventueel opnieuw in het apparaat. <hr/> <p>Flessen of containers raken elkaar.</p> <ul style="list-style-type: none"> ▶ Haal flessen of containers van elkaar. <hr/> <p>Supervriezen is ingeschakeld.</p> <p>Geen handeling vereist. Geen handeling vereist.</p>

14.1 Stroomuitval

Tijdens een stroomuitval stijgt de temperatuur in het apparaat, hierdoor verkort de bewaartijd en de kwaliteit van de diepvriesproducten vermindert.

Op onze website van uw apparaat vindt in de technische gegevens de bewaartijd van de diepvriesproducten in geval van een storing.

Opmerkingen

- Het apparaat tijdens een stroomuitval zo weinig mogelijk openen en geen andere levensmiddelen inruimen.
- De kwaliteit van de levensmiddelen onmiddellijk na de stroomuitval controleren.
 - Diepvriesproducten die ontdooid en warmer dan 5 °C zijn, weggoien.
 - Licht ontdooid diepvriesproducten koken of bakken en ofwel verbruiken of opnieuw invriezen.

14.2 Apparaatzelftest uitvoeren

Uw apparaat beschikt over een apparaatzelftest, welke storingen weergeeft, die uw service kan verhelpen.

1. Haal de stekker van het apparaat uit het stopcontact.
De stekker van het netsnoer uit het stopcontact trekken of de zekering in de meterkast uitschakelen.
 2. Het apparaat na 5 minuten opnieuw elektrisch aansluiten.
→ *Pagina 132*
 3. Binnen 10 seconden na het inschakelen van de elektrische aansluiting **Super** gedurende 3 tot 5 seconden ingedrukt houden tot een akoestisch signaal klinkt.
- ✓ De apparaatzelftest start.

- ✓ Tijdens de apparaatzelftest weerklinkt tussendoor een lang akoestisch signaal.
- ✓ Als na het einde van de apparaatzelftest 2 akoestische signalen weerklinken en de temperatuurindicatie de ingestelde temperatuur toont, is uw apparaat in orde. Het apparaat gaat over op de normale werking.
- ✓ Als na het einde van de apparaatzelftest 5 akoestische signalen klinken en **Super** gedurende 10 seconden knippert, neem dan contact op met de service.

15 Opslaan en afvoeren

15.1 Apparaat buiten gebruik stellen

1. Haal de stekker van het apparaat uit het stopcontact.
De stekker van het netsnoer uit het stopcontact trekken of de zekering in de meterkast uitschakelen.
2. Alle levensmiddelen verwijderen.
3. Het apparaat reinigen.
→ *Pagina 141*
4. **LET OP!** Tussen de deur en de behuizing geklemde voorwerpen kunnen het deurscharnier beschadigen.
 - ▶ De deur openen, totdat deze zelfstandig open blijft.
 - ▶ Geen voorwerpen tussen de deur en de behuizing klemmen.
 Om de ventilatie van het interieur te waarborgen het apparaat geopend laten.

15.2 Afvoeren van uw oude apparaat

Door een milieuvriendelijke afvoer kunnen waardevolle grondstoffen opnieuw worden gebruikt.

WAARSCHUWING

Kans op gevaar voor de gezondheid!

Kinderen kunnen zich in het apparaat opsluiten en in levensgevaar geraken.

- ▶ Om te voorkomen dat kinderen in het apparaat kruipen legplateaus en lades niet uit het apparaat nemen.
- ▶ Kinderen uit de buurt van een afgedankt apparaat houden.

WAARSCHUWING

Kans op brand!

Bij beschadiging van de leidingen kunnen brandbaar koudemiddel en schadelijke gassen ontsnappen en ontsteken.

- ▶ De buizen van de koudemiddelkringloop en de isolatie niet beschadigen.
1. De stekker van het netsnoer uit het stopcontact trekken.
 2. Het netsnoer doorknippen.
 3. Voer het apparaat milieuvriendelijk af.

Bij uw dealer en uw gemeente- of deelraadskantoor kunt u informatie verkrijgen over de actuele afvoermethoden.



Dit apparaat is gekenmerkt in overeenstemming met de Europese richtlijn 2012/19/EU betreffende afgedankte elektrische en elektroni-

sche apparatuur (waste electrical and electronic equipment - WEEE).

De richtlijn geeft het kader aan voor de in de EU geldige terugneming en verwerking van oude apparaten.

16 Servicedienst

Originele vervangende onderdelen die relevant zijn voor de werking in overeenstemming met de desbetreffende Ecodesign-verordening kunt u voor de duur van ten minste 10 jaar vanaf het moment van in de handel brengen van het apparaat binnen de Europese Economische Ruimte bij onze servicedienst verkrijgen.

Opmerking: Het inschakelen van de servicedienst is in het kader van de plaatselijk geldende fabrieksgarantievoorwaarden gratis. De minimumduur van de garantie (fabrieksgarantie voor particuliere gebruikers) in de Europese Economische Ruimte bedraagt 2 jaar in overeenstemming met de geldende plaatselijke garantievoorwaarden. De garantievoorwaarden doen geen afbreuk aan eventuele andere rechten of claims die u op grond van het plaatselijke recht heeft.

Gedetailleerde informatie over de garantieperiode en garantievoorwaarden in uw land kunt u opvragen bij onze servicedienst, uw dealer of op onze website.

Als u contact opneemt met de servicedienst, hebt u het productnummer (E-Nr.) en het productienummer (FD) van het apparaat nodig.

De contactgegevens van de servicedienst vindt u in de meegeleverde servicedienstlijst of op onze website.

16.1 Productnummer (E-nr.) en productienummer (FD)

Het productnummer (E-Nr.) en het productienummer (FD) vindt u op het typeplaatje van het apparaat.

→ Fig. **1** / **6**

Om uw apparaatgegevens en de servicedienst-telefoonnummers snel terug te kunnen vinden, kunt u de gegevens noteren.

17 Technische gegevens

Koudemiddel, netto inhoud en overige technische gegevens bevinden zich op het typeplaatje.

→ Fig. **1** / **6**

Dit product bevat een lichtbron van energieklasse F. De lichtbron is leverbaar als reserveonderdeel en mag uitsluitend door een hiervoor getrainde monteur worden vervangen. Meer informatie over uw model vindt u op het internet onder <https://eprel.ec.europa.eu/>¹. Dit webadres verwijst naar de officiële EU-productdatabank EPREL. Volg dan de aanwijzingen bij het zoeken naar het model op. De modelidentificatie bestaat uit het teken voor de slash van het E-nummer (E-Nr.) op het typeplaatje. Alternatief vindt u de modelidentificatie ook in de eerste regel van het EU-energielabel.

¹ Geldt alleen voor landen in de Europese Economische Ruimte



BSH Hausgeräte GmbH
Carl-Wery-Straße 34
81739 München, GERMANY

Valid within Great Britain:
Imported to Great Britain by
BSH Home Appliances Ltd.
Grand Union House
Old Wolverton Road
Wolverton, Milton Keynes
MK12 5PT
United Kingdom



REGISTER YOUR PRODUCT
ONLINE NEFF-HOME.COM



9001800251
en, de, fr, it, nl
030127