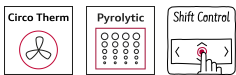


N 70, BUILT-IN OVEN, 60 X 60 CM, STAINLESS  
STEEL  
B27CR22N1B



Built-in oven with CircoTherm® - Neff's award-winning hot air system.

- ✓ CircoTherm® – Smart hot-air solution that lets you bake on up to four levels.
- ✓ Pyrolytic Self-Cleaning with Easy Clean - the duo for optimal cleaning: pyrolytic after heavy use and Easy Clean for in between
- ✓ ShiftControl - fast navigation through menus and simple operation with the TFT display

Color / Material Front: ..... Stainless steel  
 Built-in / Free-standing: ..... Built-in  
 Door opening: ..... Drop down  
 Cleaning : ..... Pyrolytic+Hydrolytic  
 Control Panel Material: ..... Glass  
 Door Material: ..... Glass  
 Dimensions (HxWxD): ..... 595x596x548 mm  
 Dimensions of the packed product (HxWxD): . 670 x 670 x 680 mm  
 Min. required niche size for installation (HxWxD): ..... 585-595 x 560-568 x 550 mm  
 Cavity dimensions: ..... 357 x 480 x 415 mm  
 Usable volume of cavity: ..... 71 l  
 Number of interior lights: ..... 1  
 Net weight: ..... 37.7 kg  
 Gross weight: ..... 40.1 kg  
 EAN code: ..... 4242004197287  
 Connection Rating: ..... 2990 W  
 Fuse protection: ..... 13 A  
 Voltage: ..... 220-240 V  
 Frequency: ..... 50; 60 Hz  
 Length electrical supply cord: ..... 120.0 cm



Z11AB15A0 Baking tray, non-stick ceramic coated, Z11AU15A0 Universal pan, non-stick ceramic coated, Z11CG10X0 Barbecue-Set, Z11CR10X0 Baking and roasting grid (standard), Z11GT10X3 Glass roasting dish, 5,4l, Z11GU20X0 Glasspan, Z11SZ00X0 SeamlessCombination mounting kit, Z11TC10X0 ComfortFlex Rail (1 level), Z11TC16X0 ComfortFlex Rail (1 level) and racks, Z12CB10A0 Baking tray, enamelled, Z12CL10A0 Lid for professional pan, enamelled, Z12CM10A0 Moussaka pan, enamelled, Z12CN10A0 Professional pan, enamelled, Z12CP10A0 Pizza pan, enamelled, Z12CQ10A0 Grill tray, enamelled, Z12CU10A0 Multipurpose pan, enamelled, Z12TF16X0 1 level telescopic rails, full ext,pyro, Z12TF36X0 3 level telescopic rails, full ext,pyro, Z13CR10X0 Baking and roasting grid (steam), Z13CV05S0 Cover Strip, Z1913X0 Baking Stone, Z19DD10X0 Steam set for ovens

N 70, BUILT-IN OVEN, 60 X 60 CM, STAINLESS  
STEEL  
B27CR22N1B

#### Heating Functions

- Oven with 12 heating methods:
- CircoTherm®, Bread Baking, Full surface grill, Dough proving, CircoTherm® Eco, Centre area grill, Top/bottom heating, Top/bottom heating Eco, Pizza Setting, Low temperature cooking, Bottom heating, Circo-roasting
- Temperature range 40 °C - 275 °C
- Cavity volume: 71 net usable litres

#### Design

- Cavity inner surface: enamel

#### Cleaning

- Pyrolytic self cleaning
- EasyClean® program

#### Convenience

- 2.5" colour and text Display with ShiftControl
- Electronic clock with start / stop function
- Rapid heat-up
- Halogen lighting
- Cooling fan
- Stainless-steel fan

#### Hook-in racks / rails

#### Accessories

- 2 x combination grid, 1 x universal pan

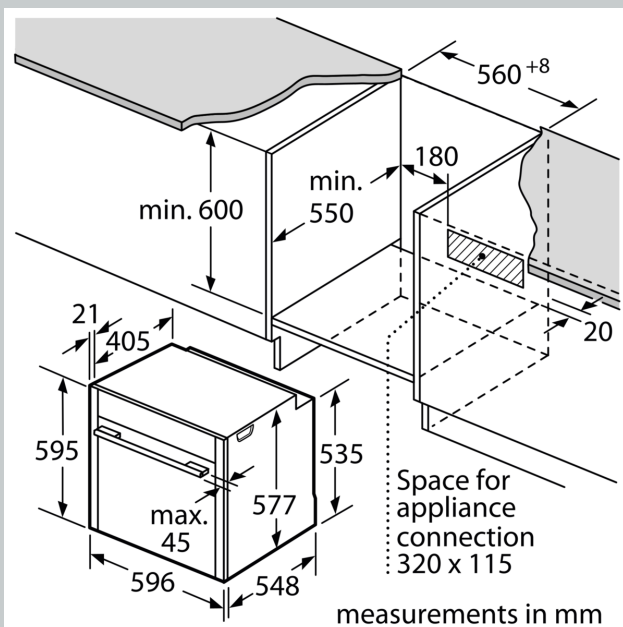
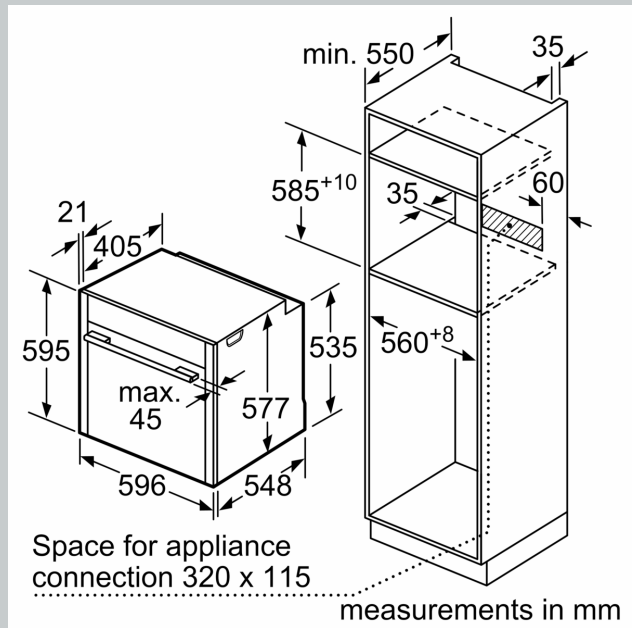
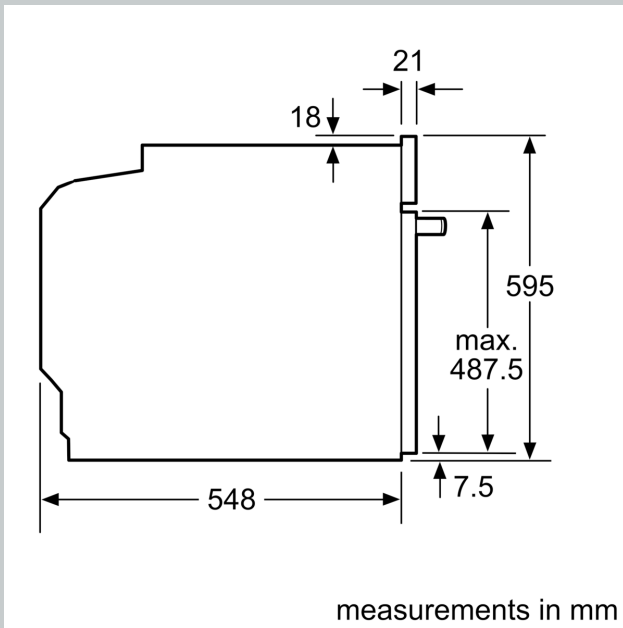
#### Safety and Environment

- Automatic door lock during pyrolysis, Individual adjustable child lock, Safety switch off, Residual heat indicator, Start button, Door contact switch

#### Technical Info

- Length of mains cable: 120 cm
- Total connected load electric: 2.99 KW
- Appliance dimensions (HxWxD): 595 mm x 596 mm x 548 mm
- Installation dimensions (HxWxD): 585 mm - 595 mm x 560 mm - 568 mm x 550 mm
- Please reference the built-in dimensions provided in the installation drawing

N 70, BUILT-IN OVEN, 60 X 60 CM, STAINLESS STEEL  
B27CR22N1B



If the appliance will be installed underneath a hob, the following worktop thicknesses (including substructure if necessary) must be taken into account.

| Hob type                   | min. worktop thickness |       |
|----------------------------|------------------------|-------|
|                            | fitted                 | flush |
| Induction hob              | 37 mm                  | 38 mm |
| Full surface Induction hob | 47 mm                  | 48 mm |
| Gas hob                    | 30 mm                  | 38 mm |
| Electric hob               | 27 mm                  | 30 mm |