

N 90, BUILT-IN OVEN WITH STEAM FUNCTION, 60 X 60 CM, STAINLESS STEEL
B47FS36NOB



Built-in oven with FullSteam and SLIDE&HIDE® - combining all heating types and steam cooking in a single oven with unrestricted access.

- ✓ Slide&Hide® – The unique fully disappearing oven door.
- ✓ CircoTherm® – Smart hot-air solution that lets you bake on up to four levels.
- ✓ Full Steam – Your oven is also a fully equipped steamer.
- ✓ Eco Clean with Base Clean - the duo that makes oven cleaning easier
- ✓ ShiftControl - fast navigation through menus and simple operation with the TFT display.

Color / Material Front:Stainless steel
 Built-in / Free-standing: Built-in
 Door opening: Drop down
 Cleaning : EcoClean program
 Control Panel Material: Glass
 Door Material: Glass
 Dimensions (HxWxD): 595x596x548 mm
 Dimensions of the packed product (HxWxD): . 675 x 660 x 690 mm
 Min. required niche size for installation (HxWxD):585-595 x 560-568 x 550 mm
 Cavity dimensions: 355 x 480 x 415 mm
 Usable volume of cavity: 71 l
 Number of interior lights: 1
 Net weight: 41.2 kg
 Gross weight: 43.9 kg
 EAN code:4242004181620
 Connection Rating:3450 W
 Fuse protection:16 A
 Voltage:220-240 V
 Frequency:60; 50 Hz
 Length electrical supply cord: 120.0 cm



Z11AB15A0 Baking tray, non-stick ceramic coated, Z11AU15A0 Universal pan, non-stick ceramic coated, Z11CG10X0 Barbecue-Set, Z11GT10X3 Glass roasting dish, 5,4l, Z11GU20X0 Glasspan, Z11SZ00X0 SeamlessCombination mounting kit, Z11SZ80X0 SeamlessCombination 60 + 29cm, Z11SZ90X0 SeamlessCombination 60 + 45cm, Z12CB10A0 Baking tray, enamelled, Z12CL10A0 Lid for professional pan, enamelled, Z12CM10A0 Moussaka pan, enamelled, Z12CN10A0 Professional pan, enamelled, Z12CP10A0 Pizza pan, enamelled, Z12CQ10A0 Grill tray, enamelled, Z12CU10A0 Multipurpose pan, enamelled, Z13CR10X0 Baking and roasting grid (steam), Z13CU30X0 Steam container, unpunched, size S, Z13CU31X0 Steam container, punched, size S, Z13CV05S0 Cover Strip, Z13TC10X0 ComfortFlex Rail (1 level) f. steam, Z13TC16X0 ComfortFlex Rail (1level)&racks f. steam, Z13TF36X0 3 level telescopic rails, full ext,steam

*N 90, BUILT-IN OVEN WITH STEAM FUNCTION, 60
X 60 CM, STAINLESS STEEL
B47FS36NOB*

Heating Functions

- Combi-steam oven with 12 heating methods:
- Hot Air
- Full surface grill Bread Baking CircoTherm® Eco Centre area grill Top/bottom heating Top/bottom heating Eco CircoTherm® Intensive Low temperature cooking Bottom heating Circo-roasting Keep warm
- Additional heating methods with steam: FullSteam, Reheating, Dough Proving, Defrost setting
- Temperature range 40 °C - 250 °C
- Cavity volume: 71 net usable litres

Hook-in racks / rails

- Number of shelf levels: 4 PC
- Telescopic rails: Large capacity oven with shelf supports, Telescopic shelf rails available as optional accessory

Design

- Illuminated ShiftControl
- Anthracite enamel cavity with 4 shelf positions

Cleaning

- EcoClean Direct : ceiling, back panel, side liners
- EcoClean program, EasyClean program
- Full glass inner door - safer touch door

Convenience

- 4.1" TFT colour and graphics display with ShiftControl
- Electronic clock with start / stop function
- Automatic temperature proposal
- Actual temperature display Optical temperature control Meat probe function
- Number of automatic programmes: 30 PC
- Additional functions:
- Descaling program
- Drying function
- Slide&Hide® door, SoftOpen
- Revolution handle
- Bake and Roast assist, Automatic programs
- MultiPoint MeatProbe
- Rapid heating-up: automatic
- LED lighting
- Large 1 litre water tank
- Water tank empty indicator
- Location of the steam generator is outside of the cavity
- Cooling fan
- Stainless-steel fan

Accessories

- 1 x universal pan, 2 x grid, 1 x steam container, punched, size XL, 1 x steam container, punched, size S, 1 x steam container, unpunched, size S

Safety and Environment

- Low door temperature
- Individual adjustable child lock
- Safety switch off Residual heat indicator Start button Door contact switch

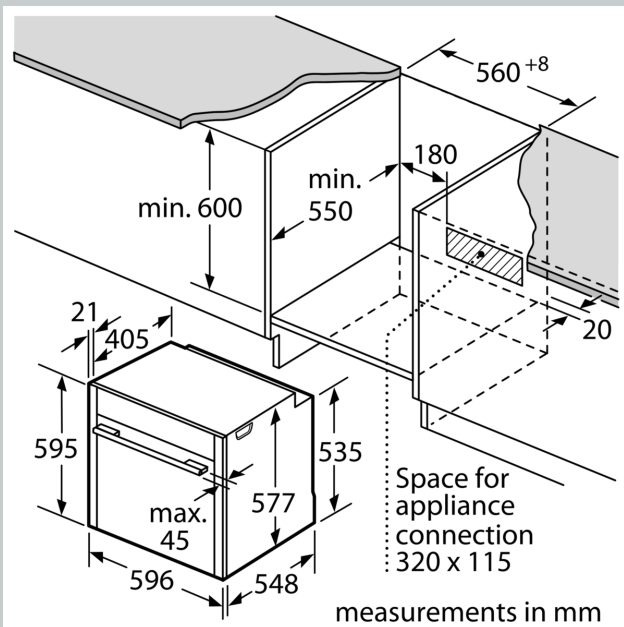
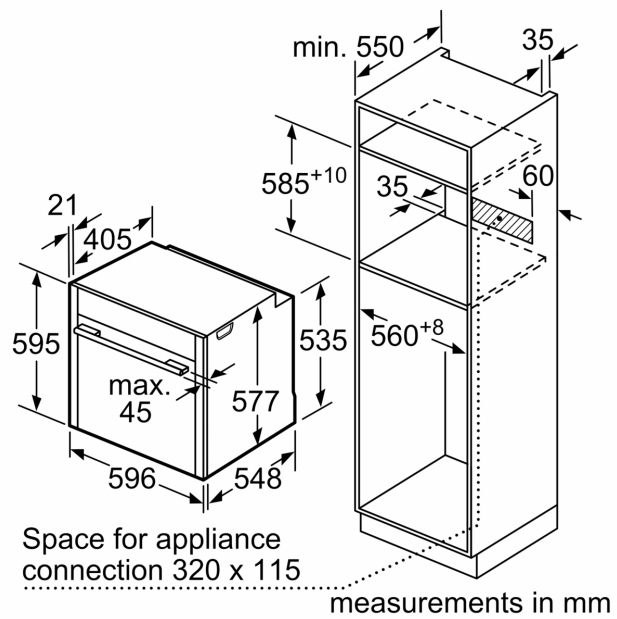
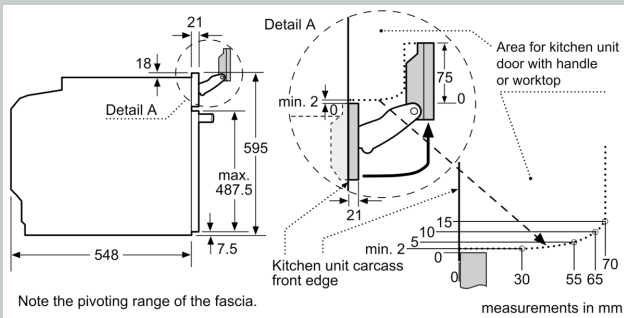
Technical Info

- Length of mains cable: 120 cm
- Nominal voltage: 220 - 240 V
- Total connected load electric: 3.45 KW

Dimensions

- Appliance dimensions (HxWxD): 595 mm x 596 mm x 548 mm
- Installation dimensions (HxWxD): 585 mm - 595 mm x 560 mm - 568 mm x 550 mm
- Please reference the built-in dimensions provided in the installation drawing

N 90, BUILT-IN OVEN WITH STEAM FUNCTION, 60 X 60 CM, STAINLESS STEEL
B47FS36NOB



If the appliance will be installed underneath a hob, the following worktop thicknesses (including substructure if necessary) must be taken into account.

Hob type	min. worktop thickness	
	fitted	flush
Induction hob	37 mm	38 mm
Full surface Induction hob	47 mm	48 mm
Gas hob	30 mm	38 mm
Electric hob	27 mm	30 mm