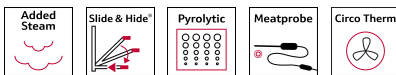


N 50, BUILT-IN OVEN WITH ADDED STEAM FUNCTION, 60 X 60 CM, GRAPHITE-GREY B5AVM7AG0A



Z11AB15A0 Baking tray, non-stick ceramic coated, Z11AU15A0 Universal pan, non-stick ceramic coated, Z11CR10X0 Baking and roasting grid (standard), Z11GU20X0 Glasspan, Z11TI15X0 Cliprails, Z12CB10A0 Baking tray, enamelled, Z12CL10A0 Lid for professional pan, enamelled, Z12CN10A0 Professional pan, enamelled, Z12CP10A0 Pizza pan, enamelled, Z12CU10A0 Multipurpose pan, enamelled, Z1365WX0 Wireless food thermometer, Z13CR10X0 Baking and roasting grid (steam), Z13CV05S0 Cover Strip, Z1608BX0 Full ext rails, level independent, Z1650BE0 Half tray, Z1655CA0 Air Fry & Grill tray, Z1913X0 Baking Stone, Z19DD10X0 Steam set for ovens, Z99RX70X0 Connecting cable 3m

Built-in oven with AddedSteam and Slide&Hide® - for excellent cooking results and greater access to the oven interior

- ✓ Added Steam - a simple push for the right amount of steam to make your food juicy on the inside and crispy on the outside
- ✓ Slide&Hide® – The unique fully disappearing oven door.
- ✓ Pyrolytic Self-Cleaning with Easy Clean - the duo for optimal cleaning: pyrolytic after heavy use and Easy Clean for in between
- ✓ Singlepoint Meatprobe - keeps one eye constantly on the oven temperature
- ✓ CircoTherm® – The smart hot-air function lets you bake on up to three levels at once and achieve even cooking results.

Color / Material Front: Graphite-Grey
 Built-in / Free-standing: Built-in
 Door opening: Drop down
 Cleaning : Pyrolytic+Hydrolytic
 Control Panel Material: Glass
 Door Material: Glass
 Dimensions (HxWxD): 595 x 594 x 548 mm
 Dimensions of the packed product (HxWxD): . 675 x 660 x 690 mm
 Min. required niche size for installation (HxWxD): 585-595 x 560-568 x 550 mm
 Cavity dimensions: 357 x 480 x 415 mm
 Usable volume of cavity: 71 l
 Number of interior lights: 1
 Net weight: 41.8 kg
 Gross weight: 44.4 kg
 EAN code: 4242004272168
 Connection Rating: 3600 W
 Fuse protection: 16 A
 Voltage: 220-240 V
 Frequency: 50; 60 Hz
 Length electrical supply cord: 120.0 cm



*N 50, BUILT-IN OVEN WITH ADDED STEAM
FUNCTION, 60 X 60 CM, GRAPHITE-GREY
B5AVM7AG0A*

Heating Functions

- 8 heating methods: CircoTherm®, Top/bottom heating, Circo-roasting, Full surface grill, Pizza Setting, Bread Baking, CircoTherm® gentle, Reheating
- Heating modes combinable with steam function: CircoTherm® + steam, Circo-roasting + steam, Top/bottom heat + steam
- Temperature range 30 °C - 275 °C
- Cavity volume: 71 net usable litres

Hook-in racks / rails

- Number of shelf levels: 4
- Large capacity oven with shelf supports, Telescopic shelf rails available as optional accessory

Design

- Graphite-Grey Edition
- Rotary Control, Retractable control knobs
- Cavity inner surface: enamel

Cleaning

- Pyrolytic self cleaning
- EasyClean® program
- Full glass inner door - safer touch door

Convenience

- White LCD display
- Electronic clock with start / stop function
- Automatic temperature proposal, automatic start, Actual temperature display, Optical temperature control, Meat probe function
- Number of automatic programmes: 15
- Additional functions: Descaling program
- Hide®, the fully retracting oven door
- Slide®, the revolving handle
- Automatic programs
- Single-point meat probe
- Rapid heat-up
- Halogen lighting
- Water tank with 200 ml capacity
- Location of the steam generator is outside of the cavity
- Cooling fan
- Stainless-steel fan
- Info button
- HomeConnect

Accessories

- 1 x combination grid, 1 x universal pan

Safety and Environment

- Maximum door temperature 30° C
- Quadruple glazed CoolTouch door
- Automatic door lock during pyrolysis, Individual adjustable child lock, Safety switch off, Residual heat indicator, Door contact switch

Technical Info

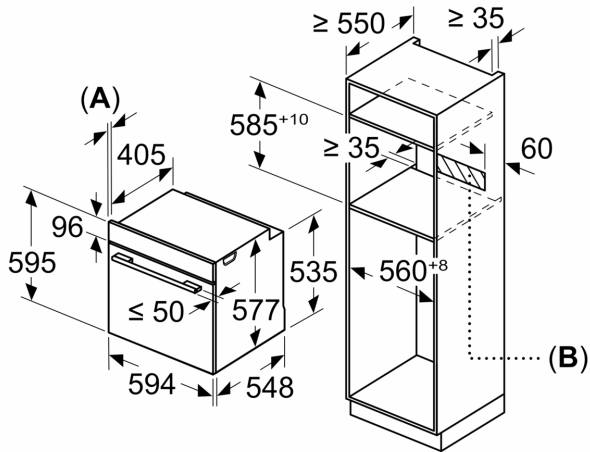
- Length of mains cable: 120 cm
- Nominal voltage: 220 - 240 V
- Total connected load electric: 3.6 KW

Dimensions

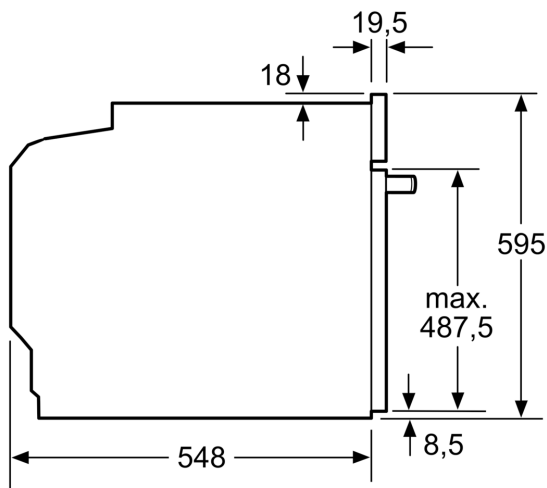
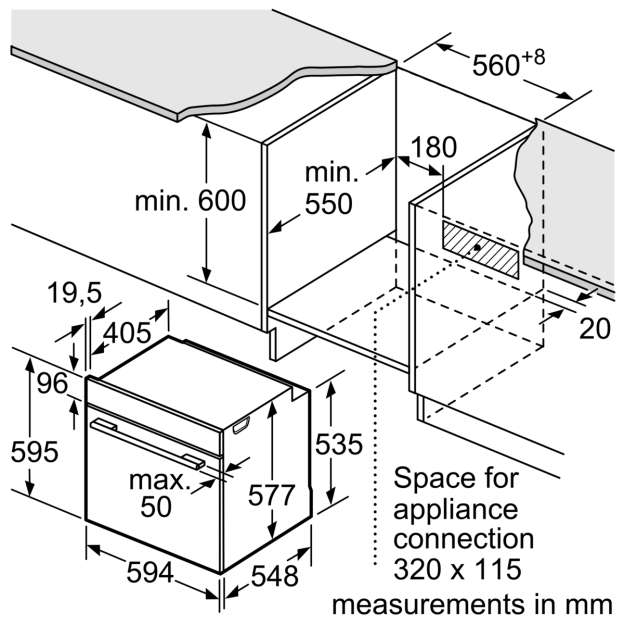
- Appliance dimensions (HxWxD): 595 mm x 594 mm x 548 mm
- Installation dimensions (HxWxD): 585 mm - 595 mm x 560 mm - 568 mm x 550 mm
- Please reference the built-in dimensions provided in the installation drawing

N 50, BUILT-IN OVEN WITH ADDED STEAM
FUNCTION, 60 X 60 CM, GRAPHITE-GREY
B5AVM7AG0A

Measurements in mm

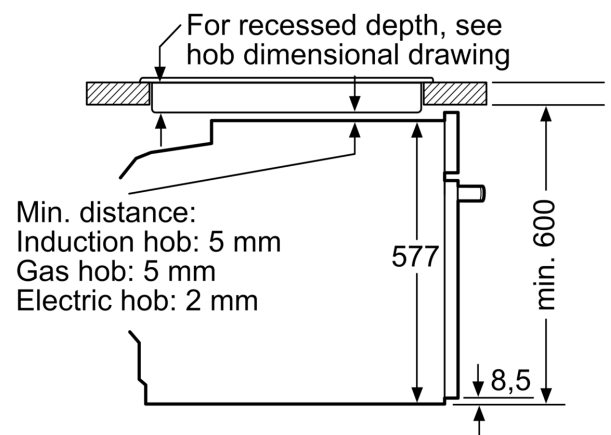


A: 19.5 mm
B: Space for appliance connection 320 x 115 mm



measurements in mm

Installation with a hob.



measurements in mm