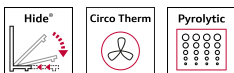


N 50, BUILT-IN OVEN, 60 X 60 CM, STAINLESS
STEEL
B6ACH7AN0A



- ✓ Hide® – The unique fully disappearing oven door.
- ✓ CircoTherm® – The smart hot-air function lets you bake on up to three levels at once and achieve even cooking results.
- ✓ Pyrolytic Self-Cleaning with Easy Clean - the duo for optimal cleaning: pyrolytic after heavy use and Easy Clean for in between
- ✓ LCD-Display – simple, straightforward with large characters for clear reading

Color / Material Front:Stainless steel
 Built-in / Free-standing: Built-in
 Door opening: Drop down
 Cleaning : Pyrolytic+Hydrolytic
 Control Panel Material: Glass
 Door Material: Glass
 Dimensions (HxWxD): 595 x 594 x 548 mm
 Dimensions of the packed product (HxWxD): . 660 x 650 x 690 mm
 Min. required niche size for installation (HxWxD): 585-595 x 560-568 x 550 mm
 Cavity dimensions: 357 x 480 x 415 mm
 Usable volume of cavity: 71 l
 Number of interior lights: 1
 Net weight: 37.8 kg
 Gross weight: 40.4 kg
 EAN code:4242004237860
 Connection Rating: 3600 W
 Fuse protection: 16 A
 Voltage: 220-240 V
 Frequency: 60; 50 Hz
 Length electrical supply cord: 120.0 cm



Z11AB15A0 Baking tray, non-stick ceramic coated, Z11AU15A0 Universal pan, non-stick ceramic coated, Z11CB10E0 Baking tray, grey enamelled, Z11CL15E0 Lid for professional pan, enamelled, Z11CN15E0 Professional pan, enamelled, Z11CR10X0 Baking and roasting grid (standard), Z11CU10E0 Multipurpose pan, grey enamelled, Z11GT10X3 Glass roasting dish, 5,4l, Z11GU20X0 Glasspan, Z11T115X0 Cliprails, Z12CL10A0 Lid for professional pan, enamelled, Z12CN10A0 Professional pan, enamelled, Z1352X0 Pizza pan, enamelled, Z13CR10X0 Baking and roasting grid (steam), Z13CV05S0 Cover Strip, Z1608BX0 Full ext rails, level independent, Z1650BE0 Half tray, Z1655CA0 Air Fry & Grill tray, Z1913X0 Baking Stone, Z19DD10X0 Steam set for ovens

*N 50, BUILT-IN OVEN, 60 X 60 CM, STAINLESS
STEEL
B6ACH7AN0A*

Heating Functions

- Oven with 8 heating methods:
- CircoTherm®
- Top/bottom heating Circo-roasting Full surface grill Pizza Setting Bread Baking Bottom heating CircoTherm® gentle
- Temperature range 30 °C - 275 °C
- Cavity volume: 71 net usable litres

Design

- Rotary Control, Retractable control knobs
- Cavity inner surface: enamel

Cleaning

- Pyrolytic self cleaning
- EasyClean® program
- Full glass inner door - safer touch door

Convenience

- White LCD display
- Automatic temperature proposal
- automatic start Optical temperature control Actual temperature display Sabbath setting
- Hide door
- Electronic clock with start / stop function
- Rapid heat-up
- Halogen lighting
- Cooling fan
- Bar handle

Hook-in racks / rails

- Large capacity oven with shelf supports, Telescopic shelf rails available as optional accessory

Accessories

- 1 x combination grid, 1 x universal pan

Safety and Environment

- Automatic door lock during pyrolysis, Individual adjustable child lock, Safety switch off, Residual heat indicator
- Quadruple glazed CoolTouch door
- Maximum door temperature 30° C

Technical Info

- Length of mains cable: 120 cm
- Nominal voltage: 220 - 240 V
- Total connected load electric: 3.6 KW

Dimensions

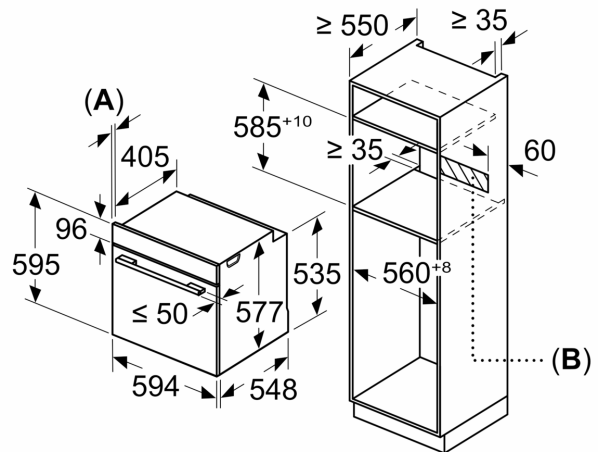
- Appliance dimensions (HxWxD): 595 mm x 594 mm x 548 mm
- Installation dimensions (HxWxD): 585 mm - 595 mm x 560 mm - 568 mm x 550 mm
- Please reference the built-in dimensions provided in the installation drawing

N 50, BUILT-IN OVEN, 60 X 60 CM, STAINLESS
STEEL
B6ACH7AN0A

If the appliance will be installed underneath a hob, the following worktop thicknesses (including substructure if necessary) must be taken into account.

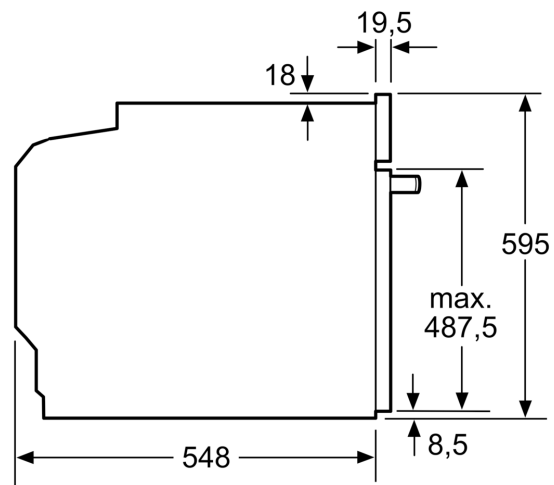
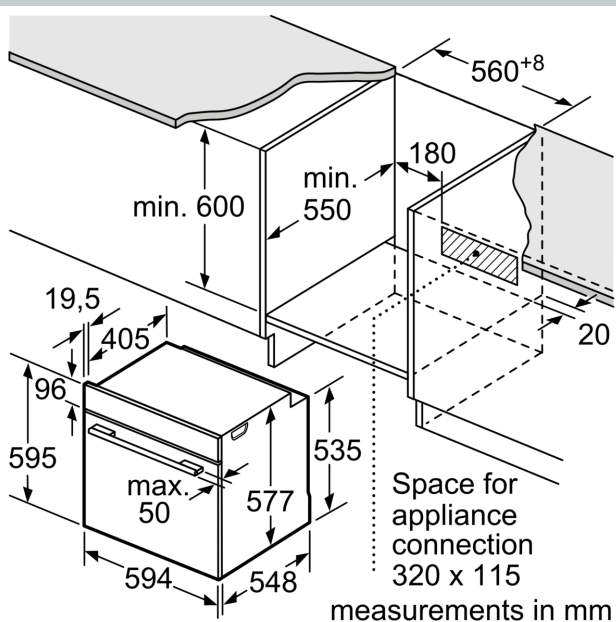
Hob type	min. worktop thickness	
	fitted	flush
Induction hob	37 mm	38 mm
Full surface Induction hob	47 mm	48 mm
Gas hob	30 mm	38 mm
Electric hob	27 mm	30 mm

Measurements in mm

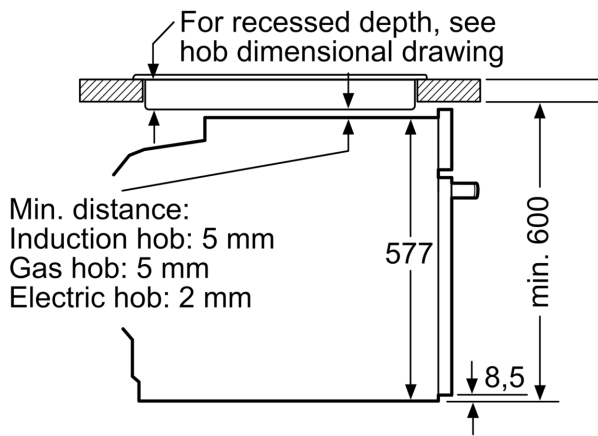


A: 19.5 mm

B: Space for appliance connection 320 x 115 mm



Installation with a hob.



measurements in mm