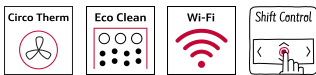


N 90, BUILT-IN COMPACT OVEN WITH STEAM FUNCTION, 60 X 45 CM, STAINLESS STEEL C17FS32H0B



Compact built-in oven with FullSteam - combining all heating types and steam cooking in a single oven in a very small space.

- ✓ CircoTherm® – Smart hot-air solution that lets you bake on up to four levels.
- ✓ Eco Clean with Easy Clean - the duo that makes oven cleaning easier
- ✓ Home Connect – rediscover your kitchen with our connected home appliances, from wherever you are
- ✓ Baking and Roasting Assistant with Automatic Programmes - the duo for optimal baking at your command
- ✓ ShiftControl - fast navigation through menus and simple operation with the TFT display

Z11AB15A0 Baking tray, non-stick ceramic coated, Z11AU15A0 Universal pan, non-stick ceramic coated, Z11GT10X3 Glass roasting dish, 5,4l, Z11GU20X0 Glasspan, Z11SZ00X0 SeamlessCombination mounting kit, Z11SZ60X0 SeamlessCombination 45 + 14cm, Z11SZ90X0 SeamlessCombination 60 + 45cm, Z12CB10A0 Baking tray, enamelled, Z12CM10A0 Moussaka pan, enamelled, Z12CP10A0 Pizza pan, enamelled, Z12CQ10A0 Grill tray, enamelled, Z12CU10A0 Multipurpose pan, enamelled, Z13CR10X0 Baking and roasting grid (steam), Z13CU30X0 Steam container, unpunched, size S, Z13CU31X0 Steam container, punched, size S, Z13CV05S0 Cover Strip, Z13CV06S0 Decor strip, Z13TC10X0 ComfortFlex Rail (1 level) f. steam, Z13TC14X0 ComfortFlex Rail (1)&racks,45cm f. steam

Color / Material Front: .....Stainless steel  
 Built-in / Free-standing: ..... Built-in  
 Door opening: ..... Drop down  
 Cleaning : ..... EcoClean program  
 Control Panel Material: ..... Glass  
 Door Material: ..... Glass  
 Dimensions (HxWxD): ..... 455x596x548 mm  
 Dimensions of the packed product (HxWxD): . 540 x 660 x 690 mm  
 Min. required niche size for installation (HxWxD): .....450-455 x 560-568 x 550 mm  
 Cavity dimensions: ..... 235 x 480 x 415 mm  
 Usable volume of cavity: ..... 47 l  
 Number of interior lights: ..... 1  
 Net weight: ..... 33.7 kg  
 Gross weight: ..... 35.9 kg  
 EAN code: .....4242004236108  
 Connection Rating: ..... 3300 W  
 Fuse protection: ..... 16 A  
 Voltage: ..... 220-240 V  
 Frequency: ..... 50; 60 Hz  
 Length electrical supply cord: ..... 150.0 cm



*N 90, BUILT-IN COMPACT OVEN WITH STEAM  
FUNCTION, 60 X 45 CM, STAINLESS STEEL  
C17FS32H0B*

#### Heating Functions

- Compact steam oven with 12 heating methods:
- CircoTherm®, Bread Baking, Full surface grill, CircoTherm® Eco, Centre area grill, Top/bottom heating, Top/bottom heating Eco, Pizza Setting, Low temperature cooking, Bottom heating, Circo-roasting, Keep warm
- Additional heating methods with steam: FullSteam, Reheating, Dough Proving, Defrost setting
- Temperature range 40 °C - 250 °C.
- Cavity volume: 47 net usable litres

#### Hook-in racks / rails

- Number of shelf levels: 3
- Large capacity oven with shelf supports, Telescopic shelf rails available as optional accessory

#### Design

- Illuminated ShiftControl
- Cavity inner surface: enamel

#### Cleaning

- EasyClean program
- Full glass inner door

#### Convenience

- 4.1" TFT colour and graphics display with ShiftControl
- Electronic clock with start / stop function
- Automatic temperature proposal, Actual temperature display, Optical temperature control
- Additional functions: Descaling program
- Drying function
- Drop down door
- Bar handle
- Bake and Roast assist, Automatic programs
- Rapid heat-up
- LED light
- Water tank empty indicator
- Location of the steam generator is outside of the cavity
- Cooling fan
- Stainless-steel fan
- HomeConnect

#### Accessories

- 1 x steam container, punched, size S, 1 x steam container, punched, size XL, 1 x steam container, unpunched, size S, 1 x grid, 1 x universal pan

#### Safety and Environment

- Low door temperature
- Individual adjustable child lock, Safety switch off, Residual heat indicator, Start button, Door contact switch

#### Technical Info

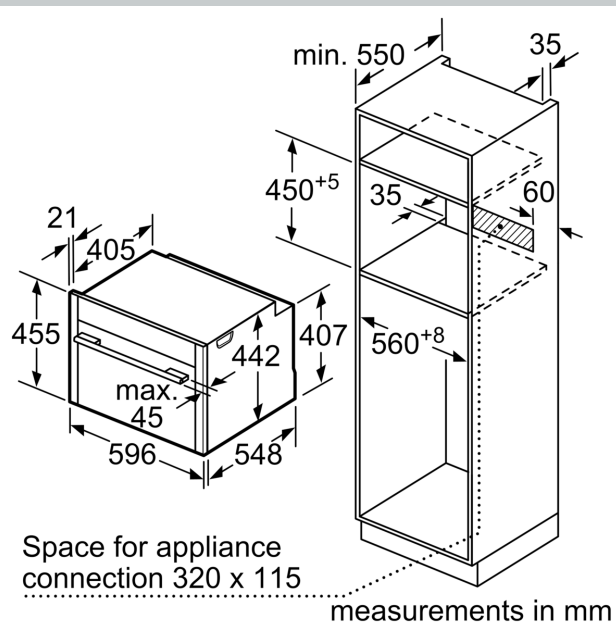
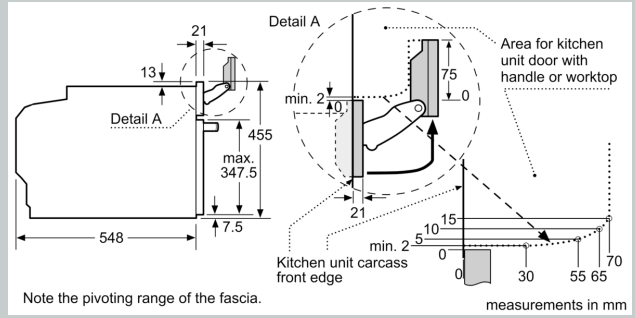
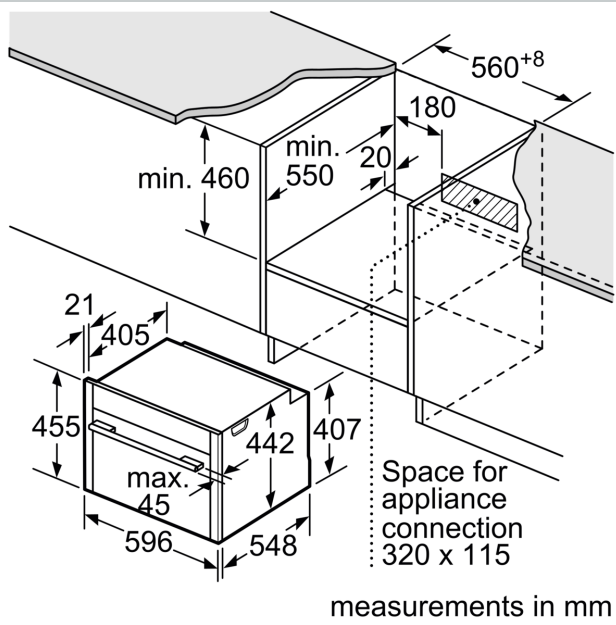
- Length of mains cable: 150 cm

- Nominal voltage: 220 - 240 V
- Total connected load electric: 3.3 KW

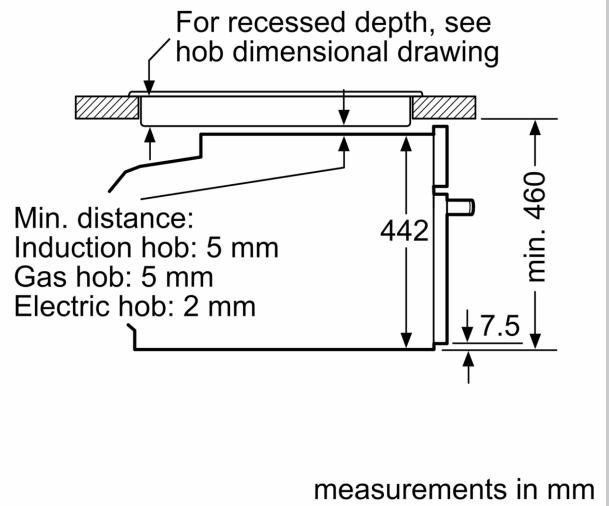
#### Dimensions

- Appliance dimensions (HxWxD): 455 mm x 596 mm x 548 mm
- Installation dimensions (HxWxD): 450 mm - 455 mm x 560 mm - 568 mm x 550 mm
- Please reference the built-in dimensions provided in the installation drawing

N 90, BUILT-IN COMPACT OVEN WITH STEAM  
FUNCTION, 60 X 45 CM, STAINLESS STEEL  
C17FS32H0B



Installation with a hob.



If the compact appliance will be installed underneath a hob, the following worktop thicknesses (including substructure if necessary) must be taken into account.

Hob type	min. worktop thickness	
	fitted	flush
Induction hob	42 mm	43 mm
Full surface Induction hob	52 mm	53 mm
Gas hob	32 mm	43 mm
Electric hob	32 mm	35 mm