

N 90, Built-in compact oven with steam function, Stainless steel
C17FS32NOB



COOKING PASSION SINCE 1877



Compact built-in oven with FullSteam® - combining all heating types and steam cooking in a single oven in a very small space.

- ✓ The new FullSteam® oven combines CircoTherm® oven and steam cooker in a single unit.
- ✓ ShiftControl - fast navigation through menus and simple operation with the generous TFT display.
- ✓ EcoClean - the self-cleaning catalytic coating on the inside top and sides of the oven makes oven cleaning easier.
- ✓ BottomClean - the special cleaning programme for the oven floor.
- ✓ Modern LED lighting for bright, even illumination.
- ✓ Hinged door with cushioned opening and closing.

Features

Technical Data

Color / Material Front : Stainless steel
 Built-in / Free-standing : Built-in
 Door opening : Drop down
 Required niche size for installation (HxWxD) : 450-455 x 560-568 x 550
 Dimensions of the product (mm) : 455 x 596 x 548
 Dimensions of the packed product (HxWxD) (mm) : 540 x 660 x 690
 Control Panel Material : Stainless steel
 Door Material : Glass
 Net weight (kg) : 34.905
 Approval certificates : CE, VDE
 Length electrical supply cord (cm) : 150
 EAN code : 4242004182139
 Current (A) : 16
 Voltage (V) : 220-240
 Frequency (Hz) : 60; 50
 Plug type : no plug
 Approval certificates : CE, VDE
 Number of cavities (2010/30/EC) : 1
 Usable volume (of cavity) - NEW (2010/30/EC) : 47
 Energy efficiency class (2010/30/EC) : A+
 Energy consumption per cycle conventional (2010/30/EC) : 0.73
 Energy consumption per cycle forced air convection (2010/30/EC) : 0.61
 Energy efficiency index (2010/30/EC) : 81.3

Optional accessories

Z11SZ00X0	SeamlessCombination mounting kit
Z11SZ60X0	SeamlessCombination 45 + 14cm
Z11SZ90X0	SeamlessCombination 60 + 45cm
Z12CB10A0	Baking tray, anthracite enamelled
Z12CM10A0	Moussaka pan, anthracite enamelled
Z12CU10A0	Multipurpose pan, anthracite enamelled
Z13CV06S0	Decor strip
Z13TC10X0	ComfortFlex Rail (1 level) f. steam
Z13TC14X0	ComfortFlex Rail (1 level) f. steam
Z1913X0	Baking Stone



4 242004 182139

*N 90, Built-in compact oven with steam function,
Stainless steel
C17FS32NOB*

Features

Heating Functions

- Compact steam oven with 12 heating methods:
 - Hot Air
 - CircoTherm® Eco
 - Top/bottom heating
 - Top/bottom heating Eco
 - Circo-roasting
 - Full surface grill
 - Centre area grill
 - CircoTherm® Intensive
 - Bread Baking
 - Bottom heating
 - Low temperature cooking
 - Keep warm
- Additional heating methods with steam: FullSteam, Reheating, Dough Proving, Defrost setting
- Temperature range 40 °C - 250 °C
- Cavity volume: 47 net usable litres

Design

- Illuminated ShiftControl
- Anthracite enamel cavity with 3 shelf positions

Cleaning

- EcoClean Direct : ceiling, back panel, side liners
- EcoClean program, EasyClean program
- Full glass inner door - safer touch door

Convenience

- 4.1" TFT colour and graphics display with ShiftControl
- Temperature proposal
 - Optical temperature control
 - Actual temperature display
 - Sabbath setting
- Additional functions:
 - Descaling program
 - Drying function
- Drop down door, SoftMove oven door with soft open and soft close, SoftOpen
- Bake and Roast assist, Automatic programs
- Number of automatic programmes: 30 PC
- Electronic clock
- Rapid heating-up
- LED lighting
- Large 1 litre water tank
- Water tank empty indicator
- Location of the steam generator is outside of the cavity
- Cooling fan
- Stainless-steel fan
- Info button
- Bar handle

Hook-in racks / rails

- Cavity with shelf support rails, Telescopic slide-out Accessory

Accessories

- 1 x steam container, punched, size S, 1 x steam container, punched, size XL, 1 x steam container, unpunched, size S, 1 x grid, 1 x universal pan

Safety and Environment

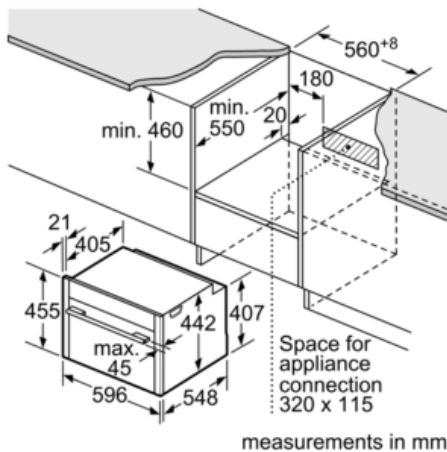
- Individual adjustable child lock
- Safety switch off
- Residual heat indicator start button
- Door contact switch
- Triple glazed door

Technical Info

- Length of mains cable: 150 cm
- Total connected load electric: 3.3 KW
- Appliance dimensions (HxWxD): 455 mm x 596 mm x 548 mm
- Installation dimensions (HxWxD): 450 mm - 455 mm x 560 mm - 568 mm x 550 mm
- Please reference the built-in dimensions provided in the installation drawing

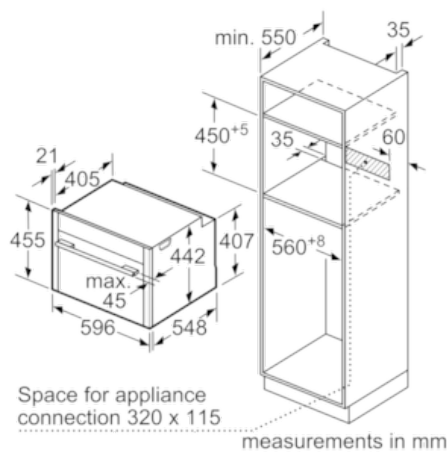
N 90, Built-in compact oven with steam function,
Stainless steel
C17FS32N0B

Dimensioned drawings



If the compact appliance will be installed underneath a hob, the following worktop thicknesses (including substructure if necessary) must be taken into account.

Hob type	min. worktop thickness	
	fitted	flush
Induction hob	42 mm	43 mm
Full surface Induction hob	52 mm	53 mm
Gas hob	32 mm	43 mm
Electric hob	32 mm	35 mm



Installation with a hob.

