

N 70, BUILT-IN COMPACT OVEN WITH
MICROWAVE FUNCTION, 60 X 45 CM, STAINLESS
STEEL
C17MR02N0B



Compact built-in oven with integral microwave - even more ways to cook quickly and conveniently in a very small space.

- ✓ CircoTherm® – Smart hot-air solution that lets you bake on up to four levels.
- ✓ Combined microwave and oven - the convenient solution to save space and time
- ✓ ShiftControl - fast navigation through menus and simple operation with the TFT display
- ✓ LED Lights - bright illumination exactly where you need it
- ✓ Soft Close with Soft Opening - the damping system cushions the door for gentle opening and closing

Z11AB15A0 Baking tray, non-stick ceramic coated, Z11AU15A0 Universal pan, non-stick ceramic coated, Z11GT10X3 Glass roasting dish, 5,4l, Z11GU20X0 Glasspan, Z11SZ00X0 SeamlessCombination mounting kit, Z11SZ60X0 SeamlessCombination 45 + 14cm, Z11SZ90X0 SeamlessCombination 60 + 45cm, Z12CB10A0 Baking tray, enamelled, Z12CM10A0 Moussaka pan, enamelled, Z12CP10A0 Pizza pan, enamelled, Z12CQ10A0 Grill tray, enamelled, Z12CU10A0 Multipurpose pan, enamelled, Z13CR10X0 Baking and roasting grid (steam), Z13CV05S0 Cover Strip, Z13CV06S0 Decor strip, Z14CR10X0 Baking and roasting grid (microwave), Z1913X0 Baking Stone

Type of micro-wave oven: MW-Combi
 Color / Material Front: Stainless steel
 Built-in / Free-standing: Built-in
 Door opening: Handle
 Door colour: Black
 Cleaning : No
 Control Panel Material: Glass
 Dimensions (HxWxD): 455x596x548 mm
 Dimensions of the packed product (HxWxD): . 530 x 670 x 680 mm
 Min. required niche size for installation (HxWxD): 450-455 x 560-568 x 550 mm
 Cavity dimensions: 237.0 x 480 x 392.0 mm
 Cavity capacity: 45 l
 Maximum micro-wave power: 900 W
 Number of interior lights: 1
 Net weight: 35.3 kg
 Gross weight: 37.6 kg
 EAN code: 4242004182177
 Connection Rating: 3600 W
 Fuse protection: 16 A
 Voltage: 220-240 V
 Frequency: 60; 50 Hz
 Length electrical supply cord: 150.0 cm



*N 70, BUILT-IN COMPACT OVEN WITH
MICROWAVE FUNCTION, 60 X 45 CM, STAINLESS
STEEL
C17MR02NOB*

Heating Functions

- Compact oven with microwave with 6 heating methods:
- CircoTherm®, Full surface grill, CircoTherm® Eco, Centre area grill, Circo-roasting, Plate warming
- Additional heating methods with microwave: Pure microwave, Combination microwave and conventional oven
- Intelligent inverter technology: maximum output power will be regulated to 600 W when used in longer operation
- Max. Power: 900 W; 5 Microwave power settings (90 W, 180 W, 360 W, 600 W, 900 W) with Inverter (MW)
- Cavity volume: 45 net usable litres

Hook-in racks / rails

- Number of shelf levels: 3

Design

- Cavity inner surface: enamel

Cleaning

Convenience

- 2.5" colour and text Display with ShiftControl
- Electronic clock with start / stop function
- Automatic temperature proposal, Actual temperature display, Optical temperature control
- Drop down door
- Bar handle
- Automatic programs
- Rapid heat-up
- LED light
- Cooling fan
- Stainless-steel fan

Accessories

- 1 x universal pan, 1 x combination grid

Safety and Environment

- Low door temperature
- Individual adjustable child lock, Safety switch off, Residual heat indicator, Start button, Door contact switch

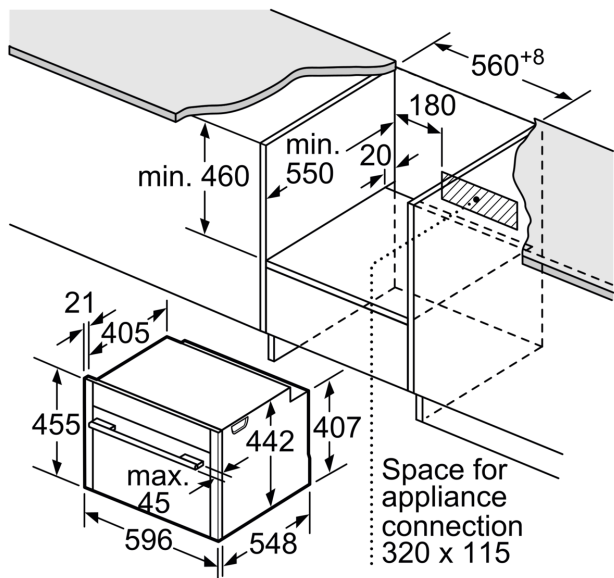
Technical Info

- Length of mains cable: 150 cm
- Nominal voltage: 220 - 240 V
- Total connected load electric: 3.6 KW

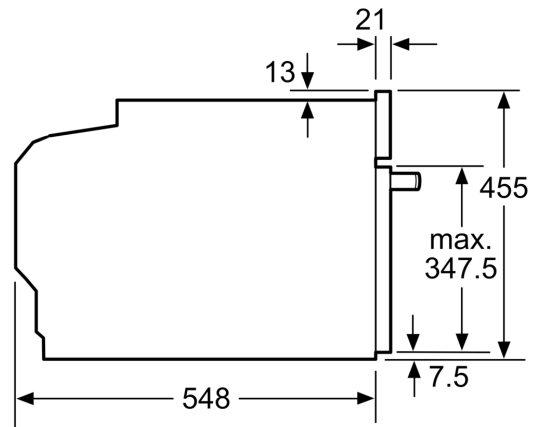
Dimensions

- Appliance dimensions (HxWxD): 455 mm x 596 mm x 548 mm
- Installation dimensions (HxWxD): 450 mm - 455 mm x 560 mm - 568 mm x 550 mm
- Please reference the built-in dimensions provided in the installation drawing

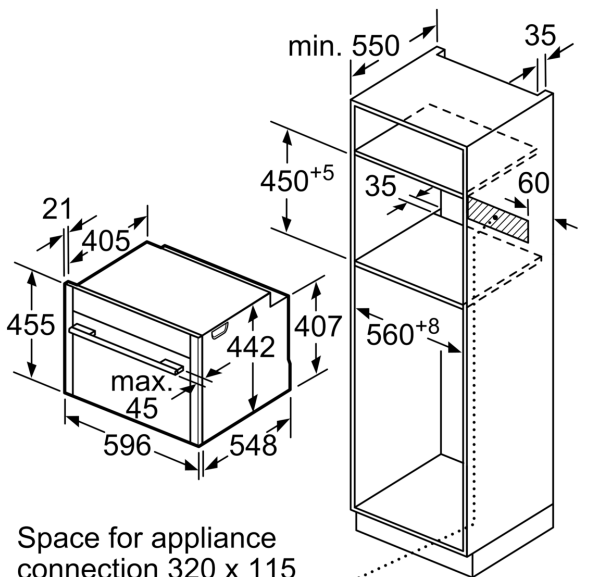
N 70, BUILT-IN COMPACT OVEN WITH
MICROWAVE FUNCTION, 60 X 45 CM, STAINLESS
STEEL
C17MR02NOB



measurements in mm

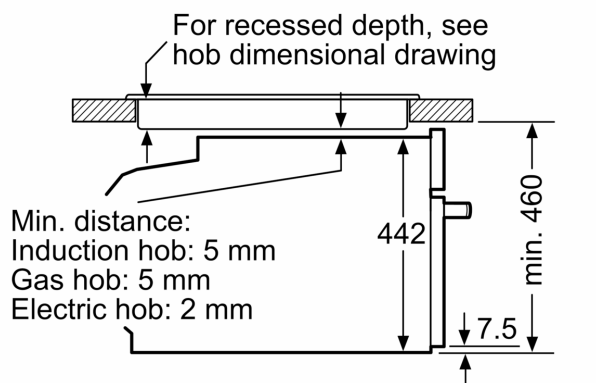


measurements in mm



measurements in mm

Installation with a hob.



measurements in mm

If the compact appliance will be installed underneath a hob, the following worktop thicknesses (including substructure if necessary) must be taken into account.

Hob type	min. worktop thickness	
	fitted	flush
Induction hob	42 mm	43 mm
Full surface Induction hob	52 mm	53 mm
Gas hob	32 mm	43 mm
Electric hob	32 mm	35 mm