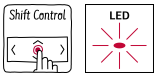


N 70, BUILT-IN MICROWAVE OVEN, STAINLESS  
STEEL  
C17WR00N0A



Z18W38X0 Cookbook

38cm Built-in microwave.

- ✓ ShiftControl - fast navigation through menus and simple operation with the TFT display
- ✓ Automatic programmes - Your kitchen helper with just the right default settings.
- ✓ LED Lights - bright illumination exactly where you need it
- ✓ Microwave - high wattage and low effort for quick meals

Type of micro-wave oven: ..... MW only  
 Color / Material Front: ..... Stainless steel  
 Built-in / Free-standing: ..... Built-in  
 Door opening: ..... Button  
 Door colour: ..... Stainless steel  
 Cleaning : ..... Hydrolytic  
 Control Panel Material: ..... Stainless steel  
 Dimensions (HxWxD): ..... 382x594x320 mm  
 Dimensions of the packed product (HxWxD): . 480 x 455 x 670 mm  
 Min. required niche size for installation (HxWxD): .....362-382 x 560-568 x 300 mm  
 Cavity dimensions: ..... 220 x 350 x 270 mm  
 Cavity capacity: ..... 21 l  
 Maximum micro-wave power: ..... 900 W  
 Number of interior lights: ..... 1  
 Net weight: ..... 16.7 kg  
 Gross weight: ..... 18.9 kg  
 EAN code: .....4242004184553  
 Connection Rating: ..... 1220 W  
 Fuse protection: .....10 A  
 Voltage: .....220-240 V  
 Frequency: ..... 50; 60 Hz  
 Length electrical supply cord: ..... 150.0 cm



N 70, BUILT-IN MICROWAVE OVEN, STAINLESS  
STEEL  
C17WR00N0A

**Design**

**Cleaning**

**Convenience**

- Left hinged door
- 7 automatic cooking programs
- LED light

**Safety and Environment**

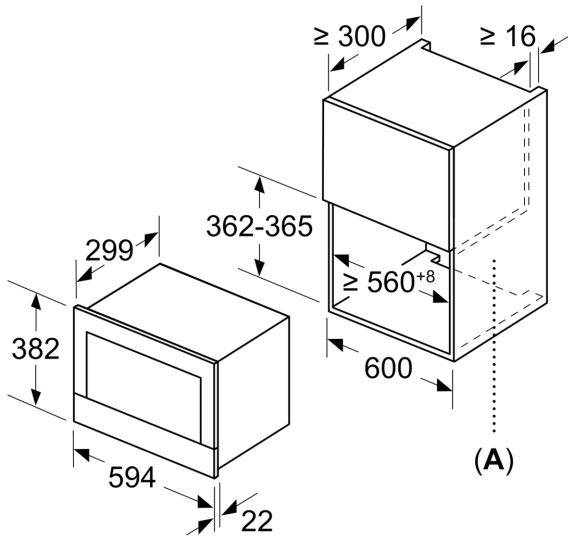
- Start button, Door contact switch

**Technical Info**

- Length of mains cable: 150 cm
- Total connected load electric: 1.22 KW
- Appliance dimensions (HxWxD): 382 mm x 594 mm x 320 mm
- Installation dimensions (HxWxD): 362 mm - 382 mm x 560 mm - 568 mm x 300 mm
- Please reference the built-in dimensions provided in the installation drawing

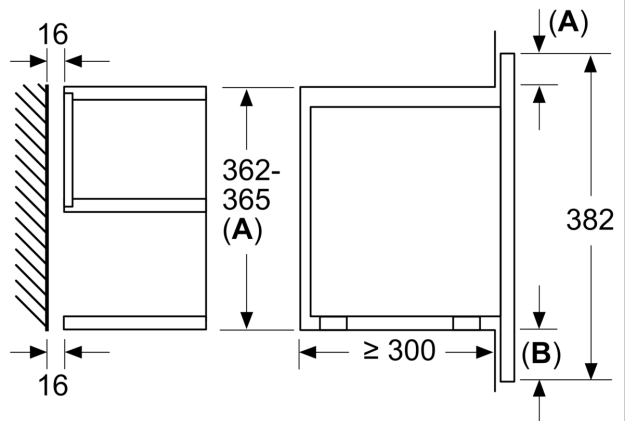
N 70, BUILT-IN MICROWAVE OVEN, STAINLESS  
STEEL  
C17W00N0A

measurements in mm

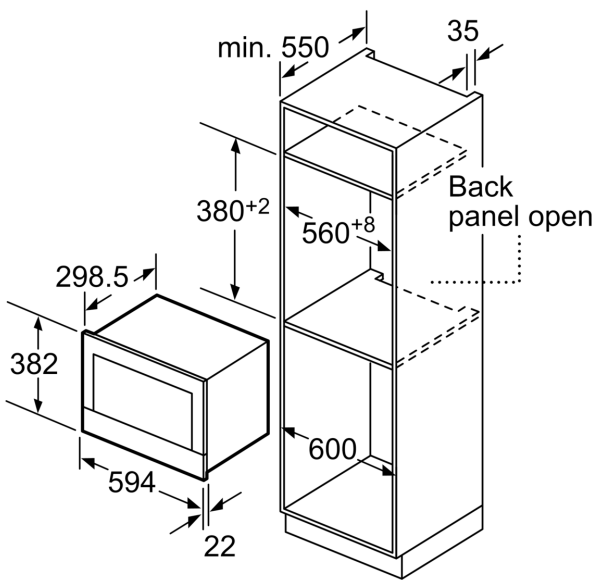


**A:** Back panel open

measurements in mm



- A:** Overhang at top:  
Recess 362: 6 mm  
Recess 365: 3 mm
- B:** Overhang at bottom: 14 mm



measurements in mm