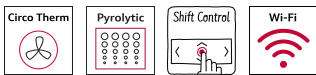


*N 90, BUILT-IN COMPACT OVEN WITH
MICROWAVE FUNCTION, 60 X 45 CM, STAINLESS
STEEL
C27MS22H0B*



Z11AB15A0 Baking tray, non-stick ceramic coated, Z11AU15A0 Universal pan, non-stick ceramic coated, Z11GT10X3 Glass roasting dish, 5,4l, Z11GU20X0 Glasspan, Z11SZ00X0 SeamlessCombination mounting kit, Z11SZ60X0 SeamlessCombination 45 + 14cm, Z11SZ90X0 SeamlessCombination 60 + 45cm, Z12CB10A0 Baking tray, enamelled, Z12CM10A0 Moussaka pan, enamelled, Z12CP10A0 Pizza pan, enamelled, Z12CQ10A0 Grill tray, enamelled, Z12CU10A0 Multipurpose pan, enamelled, Z13CR10X0 Baking and roasting grid (steam), Z13CV06S0 Decor strip, Z14CR10X0 Baking and roasting grid (microwave), Z1913X0 Baking Stone, Z19DD10X0 Steam set for ovens

Compact built-in oven with integral microwave - even more ways to cook quickly and conveniently in a very small space.

- ✓ CircoTherm® – Smart hot-air solution that lets you bake on up to four levels.
- ✓ Combined microwave and oven - the convenient solution to save space and time
- ✓ Pyrolytic Self-Cleaning with Easy Clean - the duo for optimal cleaning: pyrolytic after heavy use and Easy Clean for in between
- ✓ ShiftControl - fast navigation through menus and simple operation with the TFT display
- ✓ Home Connect – rediscover your kitchen with our connected home appliances, from wherever you are

Type of micro-wave oven:MW-Combi
 Color / Material Front:Stainless steel
 Built-in / Free-standing: Built-in
 Door opening:Handle
 Door colour: Black
 Cleaning : Pyrolytic+Hydrolytic
 Control Panel Material: Glass
 Dimensions (HxWxD): 455x596x548 mm
 Dimensions of the packed product (HxWxD): . 530 x 660 x 680 mm
 Min. required niche size for installation (HxWxD):450-455 x 560-568 x 550 mm
 Cavity dimensions: 237.0 x 480 x 392.0 mm
 Cavity capacity: 45 l
 Maximum micro-wave power: 900 W
 Number of interior lights: 1
 Net weight: 35.0 kg
 Gross weight: 38.0 kg
 EAN code:4242004236528
 Connection Rating:3600 W
 Fuse protection: 16 A
 Voltage: 220-240 V
 Frequency:50; 60 Hz
 Length electrical supply cord: 150.0 cm



*N 90, BUILT-IN COMPACT OVEN WITH
MICROWAVE FUNCTION, 60 X 45 CM, STAINLESS
STEEL
C27MS22H0B*

Heating Functions

- Compact oven with microwave with 12 heating methods:
- CircoTherm®, Full surface grill, Dough proving, CircoTherm® Eco, Centre area grill, Top/bottom heating, Top/bottom heating Eco, Pizza Setting, Low temperature cooking, Bottom heating, Circo-roasting, Plate warming
- Additional heating methods with microwave: Pure microwave, Combination microwave and conventional oven
- Intelligent inverter technology: maximum output power will be regulated to 600 W when used in longer operation
- Max. Power: 900 W; 5 Microwave power settings (90 W, 180 W, 360 W, 600 W, 900 W) with Inverter (MW)
- Temperature range 30 °C - 300 °C
- Cavity volume: 45 net usable litres

Hook-in racks / rails

- Number of shelf levels: 3

Design

- Illuminated ShiftControl
- Cavity inner surface: enamel

Cleaning

- Pyrolytic self cleaning
- EasyClean® program

Convenience

- 4.1" TFT colour and graphics display with ShiftControl
- Electronic clock with start / stop function
- Automatic temperature proposal, Actual temperature display, Optical temperature control
- Drop down door
- Bar handle
- Bake and Roast assist, Automatic programs
- Rapid heat-up
- LED light
- Cooling fan
- Stainless-steel fan
- HomeConnect

Accessories

- 1 x combination grid, 1 x universal pan
- Quadruple glazed CoolTouch door

Safety and Environment

- Maximum door temperature 30° C
- Automatic door lock during pyrolysis, Individual adjustable child lock, Safety switch off, Residual heat indicator, Start button, Door contact switch

Technical Info

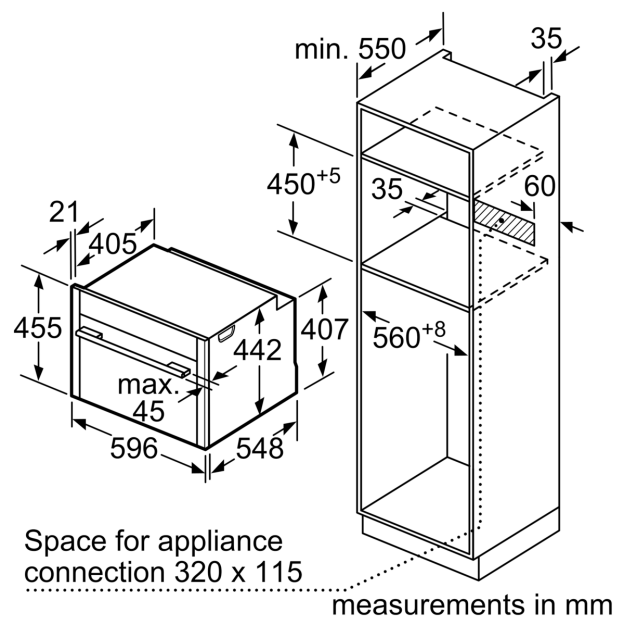
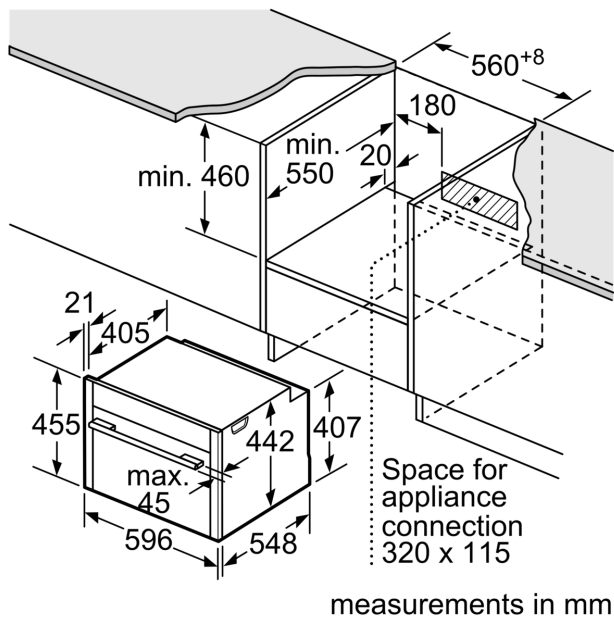
- Length of mains cable: 150 cm
- Nominal voltage: 220 - 240 V

- Total connected load electric: 3.6 KW

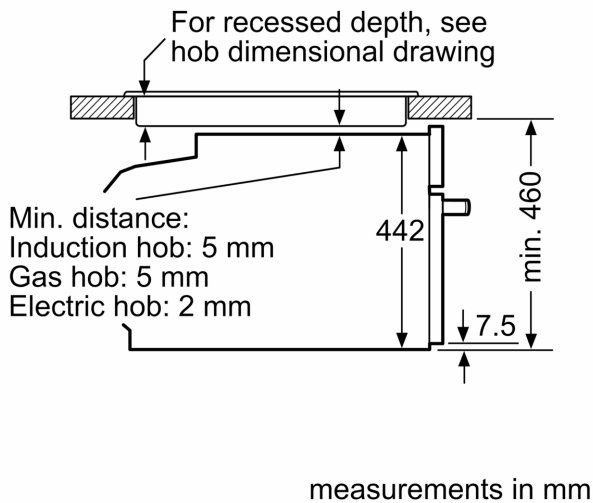
Dimensions

- Appliance dimensions (HxWxD): 455 mm x 596 mm x 548 mm
- Installation dimensions (HxWxD): 450 mm - 455 mm x 560 mm - 568 mm x 550 mm
- Please reference the built-in dimensions provided in the installation drawing

N 90, BUILT-IN COMPACT OVEN WITH
MICROWAVE FUNCTION, 60 X 45 CM, STAINLESS
STEEL
C27MS22H0B



Installation with a hob.



If the compact appliance will be installed underneath a hob, the following worktop thicknesses (including substructure if necessary) must be taken into account.

Hob type	min. worktop thickness	
	fitted	flush
Induction hob	42 mm	43 mm
Full surface Induction hob	52 mm	53 mm
Gas hob	32 mm	43 mm
Electric hob	32 mm	35 mm