

N 50, Slideout rangehood, 60 cm, Silver metallic
D46ED52X0



COOKING PASSION SINCE 1877



Optional accessories

Z54TH60N0 Handle strip
Z54TS02X0 Recirculating kit

The slideout rangehood practically disappears into your upper cabinet, giving you a sleek kitchen finish.

- ✓ Extraction rate: at 739 m³/h, it quickly ensures optimal kitchen air quality.
- ✓ LED lighting: for perfect, energy-efficient illumination of the cooktop.
- ✓ Intensive speed setting with reset: automatically resets the hood to regular speed setting after 6 min.
- ✓ Especially quiet: high performance at just 54 dB.

Features

Technical Data

Typology : Pull-out
Approval certificates : Australia Standards, CE, Eurasian, VDE
Length electrical supply cord (cm) : 175
Required niche size for installation (HxWxD) : 385mm x 524mm x 290mm
Minimum distance above an electric hob : 430
Minimum distance above a gas hob : 650
Net weight (kg) : 10.411
Type of control : Electronic
Maximum output air extraction (m³/h) : 391
Boost position output recirculating (m³/h) : 488
Maximum output recirculating air (m³/h) : 303
Boost position air extraction (m³/h) : 739
Number of lights : 2
Noise level (dB) : 54
Diameter of air outlet (mm) : 150 / 120
Grease filter material : Washable aluminium
EAN code : 4242004197300
Connection Rating (W) : 146
Current (A) : 10
Voltage (V) : 220-240
Frequency (Hz) : 50; 60
Plug type : GARDY plug w/ earthing
Installation typology : Built-in



4 242004 197300

N 50, Slideout rangehood, 60 cm, Silver metallic
D46ED52X0

Features

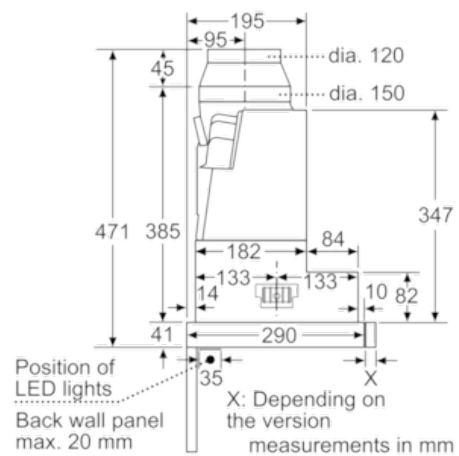
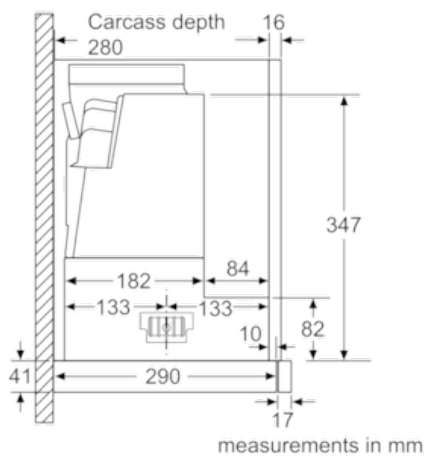
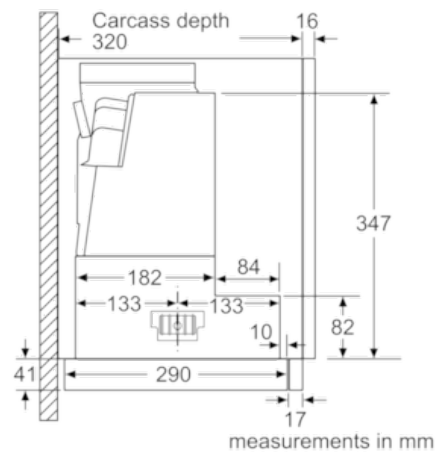
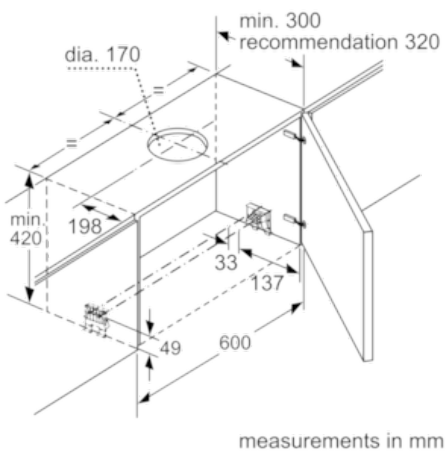
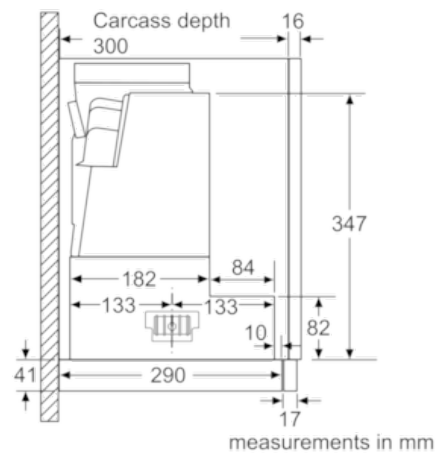
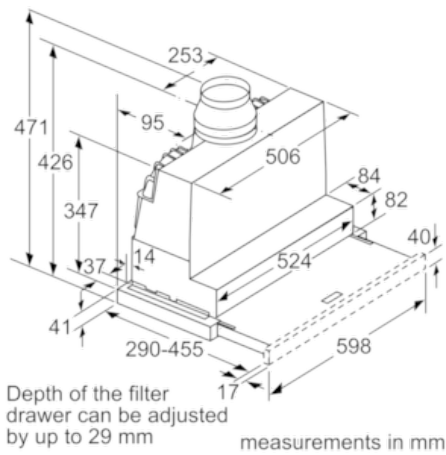
- Noise min./max. Normal Level: 41/54 dB
Noise max. Intensive setting: 68 dB
- For installation into a 60cm wide wall cupboard
- Suitable for ducted extraction and recirculation
- Accessories required for recirculated extraction: Recirculating kit
- Telescopic drawer without handle, furniture panel or fascia panel (optional accessory) required
- Push button controls (3 power levels plus intensive setting) with Electronic display
- Extraction rate according to EN 61591 \varnothing 15 cm:
max. Normal use 391 m³/h
Intensive 739 m³/h
- Noise level according to EN 60704-3 und EN 60704-2-13 exhaust air:
Max. normal use: 54 dB(A) re 1 pW (41 dB(A) re 20 μ Pa sound pressure)
Intensive: 68 dB(A) re 1 pW (55 dB(A) re 20 μ Pa sound pressure)
- 2 x 3 Watt LED Lights
- Dishwasher safe metal grease filters
- Automatic intensive revert setting - 6 min
- Automatic run on for Automatic run on - 10 min
- 2 high-performance fans, Efficient BLDC-technology
- Appliance colour: silver metallic

Technical Information

- Diameter pipe \varnothing 150 mm (\varnothing 120 mm enclosed)
- Power rating: 146 W
- Electrical cable length 1.75 m
- Appliance dimensions (HxWxD): 426 x 598 x 290 mm
- Built-in dimensions (HxWxD): 385 x 524 x 290 mm

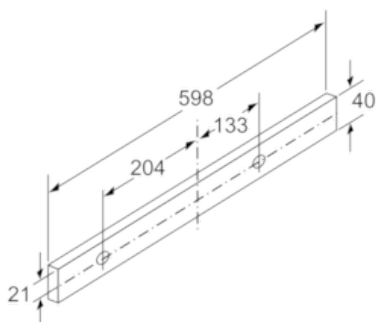
N 50, Slideout rangehood, 60 cm, Silver metallic
D46ED52X0

Dimensioned drawings



N 50, Slideout rangehood, 60 cm, Silver metallic
D46ED52X0

Dimensioned drawings



measurements in mm