

N 90, INTEGRATED RANGEHOOD, 70 CM, CLEAR
GLASS BLACK PRINTED
D57ML67N1B



Z51ITP0X0	Long Life odor filter (replacement)
Z51IXB1X6	Clean Air Plus odor filter (replacement)
Z51IXC1X6	Clean Air Plus recirc. kit external
Z5135X3	Standard recirculation kit
Z51ITD1X1	Long Life recirculation kit external
Z5100X0	Remote control
Z5135X1	Standard odor filter (replacement)

The integrated rangehood: offers a sleek and seamless design in the kitchen with fully integrated installation.

- ✓ Efficient Drive Motor – Quiet and energy-efficient motor for a calmer kitchen.
- ✓ Intensive Speed Setting: Increases the extraction rate when cooking steam is intense.
- ✓ Dimmer Function: Easily dim the light according to your mood with the touch of a finger.

Typology: Built-in/Built-under
 Length electrical supply cord: 150.0 cm
 Min. required niche size for installation (HxWxD): 418mm x 676.0mm x 264mm mm
 Minimum distance above an electric cooktop: 600 mm
 Minimum distance above a gas cooktop: 650 mm
 Net weight: 9.4 kg
 Type of control: Electronic
 Number of power settings: 3-stages + intensive setting
 Maximum output air extraction: 575 m³/h
 Boost position output recirculating: 722 m³/h
 Maximum output recirculating air: 533 m³/h
 Boost position air extraction: 775 m³/h
 Number of lights: 2
 Noise level: 64 dB(A) re 1 pW
 Diameter of air outlet: 120 / 150 mm
 Grease filter material: Washable aluminium
 EAN code: 4242004237938
 Connection Rating: 172 W
 Fuse protection: 3 A
 Voltage: 220-240 V
 Frequency: 50 Hz
 Plug type: GB plug
 Installation typology: Built-in



N 90, INTEGRATED RANGEHOOD, 70 CM, CLEAR
GLASS BLACK PRINTED
D57ML67N1B

Design & Innovation

- For installation in a kitchen cabinet
- Appliance colour: brushed steel
- Rim ventilation
- Filter cover glass
- Glass plate clear glass black printed

Power and Mode of Operation

- Electronic controls
- Push button controls (3 power levels plus intensive setting) with Electronic display
- Extraction rate according to EN 61591 ø 15 cm: max. Normal use 575 m³/h. Intensive 775 m³/h
- Noise min./max. Normal Level: 46/64 dB
- Suitable for ducted extraction and recirculation
- Accessories required for recirculated extraction: Recirculating kit

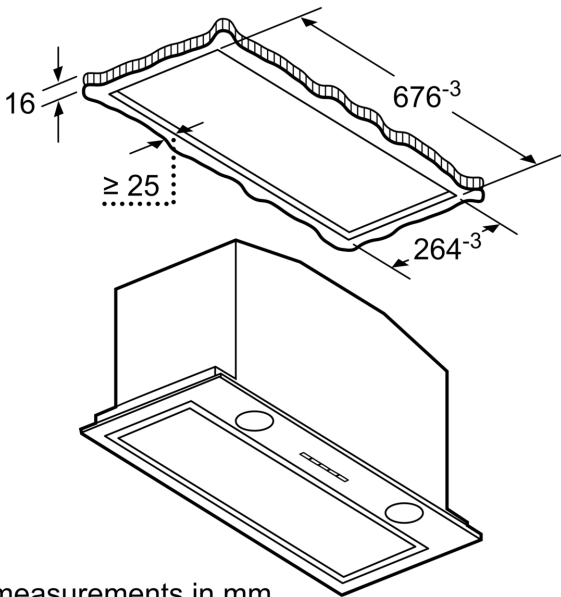
Comfort & Convenience

- Automatic intensive revert setting - 6 min
- Automatic run on time - 30 min
- Noise level according to EN 60704-3 exhaust air:
 - Max. normal use: 64dB(A) re 1 pW
 - Intensive: 70 dB(A) re 1 pW
- EfficientDrive BLDC technology
- 2 x 1 Watt LED lights
- Dishwasher safe metal grease filters
- Saturation indicator for grease filters

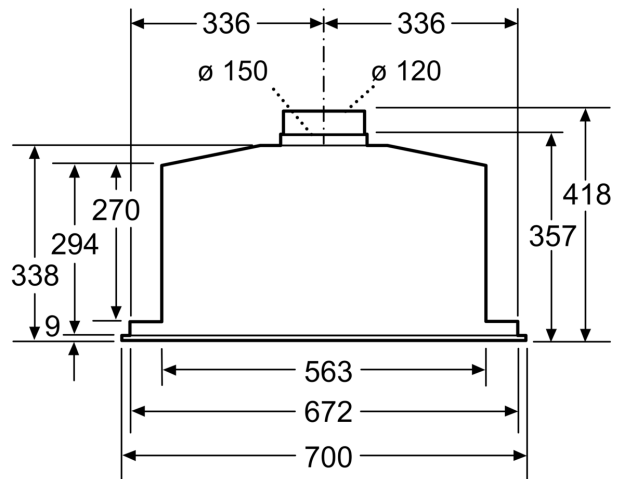
Technical Information

- Built-in dimensions: width: 68 cm, depth: 26 cm
- Dimensions exhaust air (HxWxD): 418-418 x 700 x 300 mm
- 120 or 150 mm tube connection diameter
- Power rating: 172 W
- Electrical cable length 1.5 m

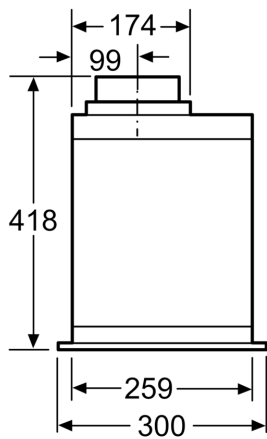
N 90, INTEGRATED RANGEHOOD, 70 CM, CLEAR
GLASS BLACK PRINTED
D57ML67N1B



measurements in mm

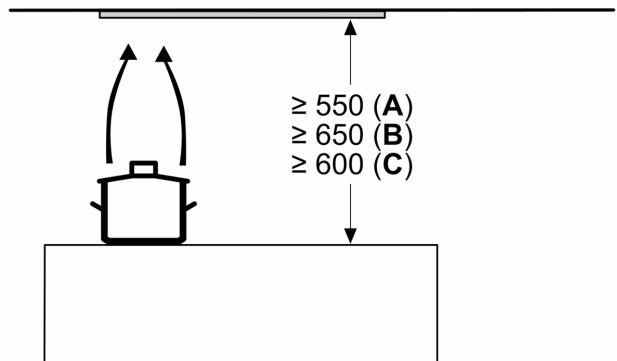


measurements in mm



measurements in mm

Measurements in mm



A: Electric

B: Gas - from upper edge of pan support

C: Electric - for Australia and New Zealand