

N 70, INTEGRATED RANGEHOOD, 86 CM,  
STAINLESS STEEL  
D58ML66N1A



- ✓ Efficient Drive Motor – Quiet and energy-efficient motor for a calmer kitchen.
- ✓ Intensive Speed Setting: Increases the extraction rate when cooking steam is intense.
- ✓ Dimmer Function: Easily dim the light according to your mood with the touch of a finger.

Z5135X1	Standard odor filter (replacement)
Z5135X3	Standard recirculation kit
Z51ITD1X1	Long Life recirculation kit external
Z51ITP0X0	Long Life odor filter (replacement)
Z51XB1X6	Clean Air Plus odor filter (replacement)
Z51XC1X6	Clean Air Plus recirc. kit external

Typology: ..... Built-in/Built-under  
 Length electrical supply cord: ..... 150.0 cm  
 Min. required niche size for installation (HxWxD): ..... 418mm x 836.0mm x 264mm mm  
 Minimum distance above an electric cooktop: ..... 600 mm  
 Minimum distance above a gas cooktop: ..... 650 mm  
 Net weight: ..... 9.8 kg  
 Type of control: ..... Electronic  
 Number of power settings: ..... 3-stages + intensive setting  
 Maximum output air extraction: ..... 610 m<sup>3</sup>/h  
 Boost position output recirculating: ..... 727 m<sup>3</sup>/h  
 Maximum output recirculating air: ..... 563 m<sup>3</sup>/h  
 Boost position air extraction: ..... 800 m<sup>3</sup>/h  
 Number of lights: ..... 2  
 Noise level: ..... 64 dB(A) re 1 pW  
 Diameter of air outlet: ..... 120 / 150 mm  
 Grease filter material: ..... Washable aluminium  
 EAN code: ..... 4242004273547  
 Connection Rating: ..... 172 W  
 Fuse protection: ..... 3 A  
 Voltage: ..... 220-240 V  
 Frequency: ..... 50 Hz  
 Plug type: ..... AU plug  
 Installation typology: ..... Built-in



N 70, INTEGRATED RANGEHOOD, 86 CM,  
STAINLESS STEEL  
D58ML66N1A

#### Design & Innovation

- For installation in a kitchen cabinet
- Appliance colour: brushed steel
- Rim ventilation
- metal grease filters with stainless steel cover

#### Size & Power

- Extraction rate according to EN 61591 ø 15 cm: max. Normal use 610 m<sup>3</sup>/h. Intensive 800 m<sup>3</sup>/h
- Noise level according to EN 60704-3 exhaust air:
  - Max. normal use:64dB(A) re 1 pW
  - Intensive:70 dB(A) re 1 pW
- With the Clean Air Plus recirculation kit (available as accessory) your appliances reaches:
  - Extraction rate in recirculation mode: Max. normal use:563m<sup>3</sup>/h
  - Intensive:727m<sup>3</sup>/h
  - Noise level in recirculation mode: Max. normal use:71dB(A) re 1 pW
  - Intensive:77 dB(A) re 1 pW

#### Features

- Electronic controls
- Push button controls (3 power levels plus intensive setting) with Electronic display
- Suitable for ducted extraction and recirculation
- Accessories required for recirculated extraction: Recirculating kit
- Automatic intensive revert setting - 6 min
- EfficientDrive BLDC technology

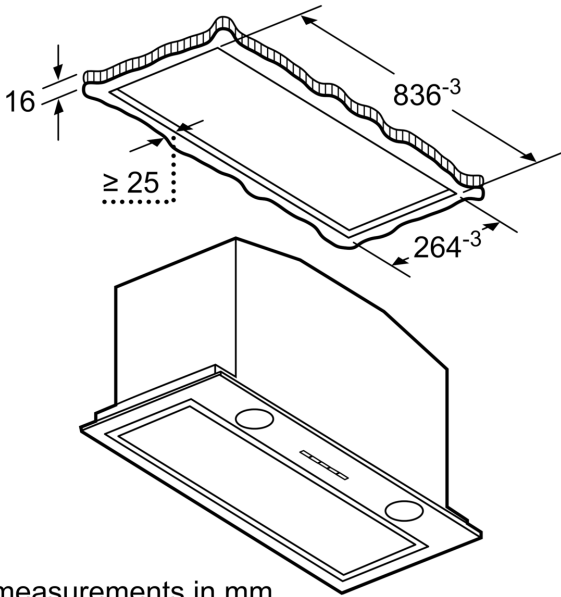
#### Convenience

- 2 x 1 Watt LED lights
- Light Intensity: 266 lux
- Colour Temperature: 4000 K
- Dishwasher safe metal grease filters
- Saturation indicator for grease filters

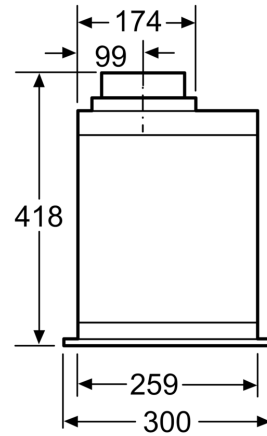
#### Technical Information

- Appliance dimensions (HxWxD): 418 x 860 x 300 mm
- Built-in dimensions: width: 84 cm, depth: 26 cm
- 120 or 150 mm tube connection diameter
- Electrical cable length 1.5 m
- Power rating: 172 W
- with one-way flap: prevents outside air from entering your kitchen

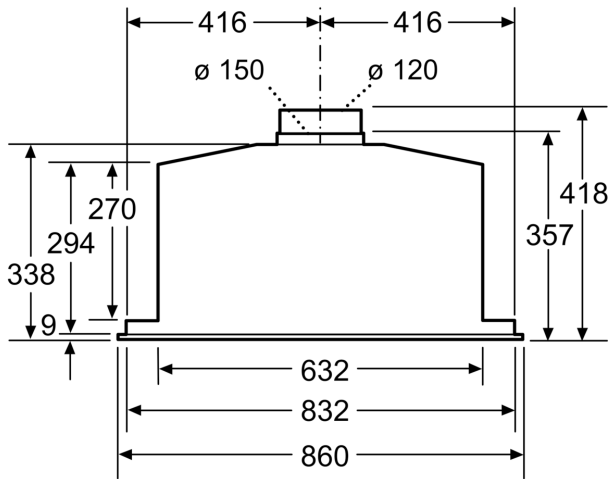
N 70, INTEGRATED RANGEHOOD, 86 CM,  
STAINLESS STEEL  
D58ML66N1A



measurements in mm



measurements in mm



measurements in mm