

N 50, WALL-MOUNTED CANOPY RANGEHOOD, 90 CM, BLACK
D94BHM1S5



The stylish Neff canopy rangehood is modern in design and keeps up with your cooking.

- ✓ High Extraction Rate – ensures a clear view while cooking thanks to an efficient motor technology
- ✓ Touch Control: An integrated flat surface control panel for smooth operation with a fingerswipe.
- ✓ Intensive Speed Setting: Increases the extraction rate when cooking steam is intense.
- ✓ LED Lighting: Clear illumination while you cook.
- ✓ Reduced Noise: Our optimised motor guarantees a quiet cooking experience.

Z50XP0X0	Long Life odor filter (replacement)
Z51DXA0X0	Standard odor filter (replacement)
Z51DXB1X4	Clean Air Standard odor filter (repl.)
Z51DXI1X4	Clean Air Standard recirculation kit
Z51DXI1X6	Clean Air Plus recirculation kit
Z51DXU0X0	Standard recirculation kit
Z51FXJ0X0	Long Life recirculation kit
Z53XXB1X6	Clean Air Plus odor filter (replacement)

Typology:Wall-mounted
Length electrical supply cord: 130.0 cm
Height of the chimney:583-912/583-1022 mm
Height of product, without chimney: 53 mm
Minimum distance above an electric cooktop: 600 mm
Minimum distance above a gas cooktop: 650 mm
Net weight: 13.4 kg
Type of control: Electronic
Number of power settings: 3-stages + intensive setting
Maximum output air extraction:372 m ³ /h
Boost position output recirculating:441 m ³ /h
Maximum output recirculating air: 337 m ³ /h
Boost position air extraction:604 m ³ /h
Number of lights:2
Noise level: 60 dB(A) re 1 pW
Diameter of air outlet:120 / 150 mm
Grease filter material: Washable aluminium
EAN code:4242004268826
Connection Rating: 220 W
Fuse protection:10 A
Voltage: 220-240 V
Frequency: 50; 60 Hz
Plug type: Gardy plug w/ earthing
Installation typology:Wall-mounted



N 50, WALL-MOUNTED CANOPY RANGEHOOD, 90
CM, BLACK
D94BHM1S5

Design & Innovation

- 90 cm Chimney hood
- Wall Hood black
- Appliance colour: black

Power and Mode of Operation

- TouchControl (3 power levels plus intensive setting) with Electronic display
- Electronic controls with low-lift push buttons
- Electronic controls via TouchControl with Electronic display
- Electronic controls
- TouchControl for power and light

Heating Functions

- 3 power levels plus intensive setting via TouchControl
- 3 power levels plus intensive setting

Cleaning

- Dishwasher safe metal grease filters

Safety and Quality

Convenience

- 2 x 1.5W LED
- Light Intensity: 214 lux
- Colour Temperature: 3500 K
- Capacitor energy efficient
- Automatic intensive revert setting - 6 min
- Twin channel high performance fan motor

Dimensions (HxWxD)

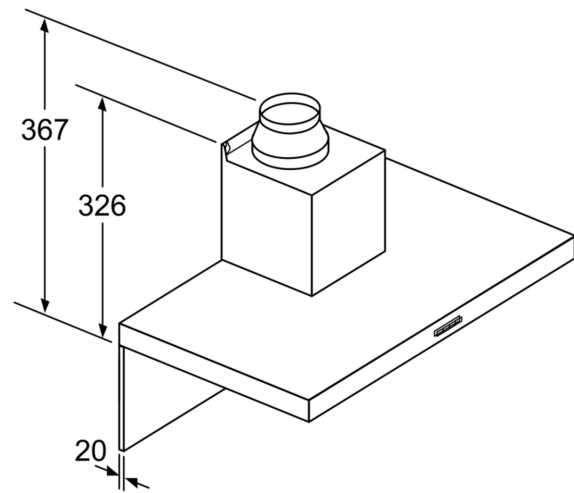
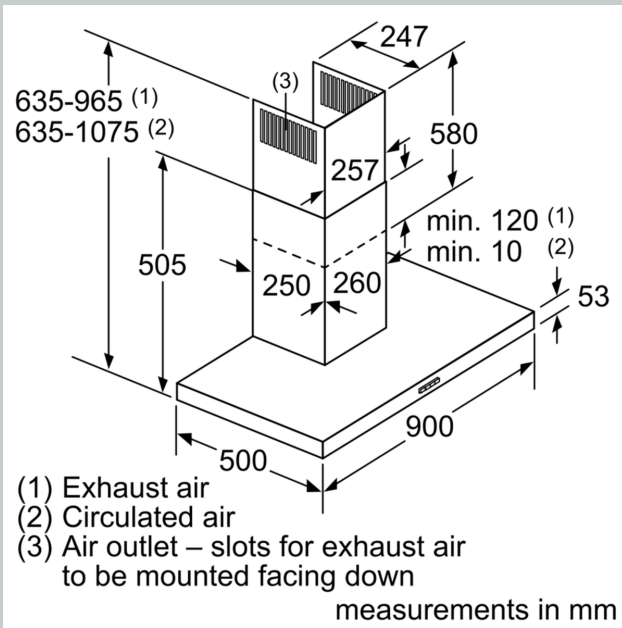
- Appliance width: 900 mm
- Dimensions exhaust air (HxWxD): 635-965 x 900 x 500 mm
- Dimensions recirculating (HxWxD): 635-1075 x 900 x 500 mm
- Dimensions recirculating with CleanAir module (HxWxD):
- 703 x 900 x 500mm - mounting with outer chimney
- Dimensions - Recirculated with cleanAir module (HxWxD):
- 703 x 900 x 500 mm
- Dimensions recirculating with CleanAir module (HxWxD):
- 703 x 900 x 500mm - mounting with outer chimney
- 833-1163 x 900 x 500 mm - mounting with telescopic chimney

Technical Information

- Suitable for ducted extraction and recirculation
- Accessories required for recirculated extraction: Recirculating kit
- For wall mounted installation
- T34-NE3A
- Noise min./max. Normal Level: 48/60 dB
- Extraction rate according to EN 61591 ø 15 cm: max. Normal use 372 m³/h. Intensive 604 m³/h
- Extraction rate exhaust air according to EN 61591: max. 604 m³/h
- Maximum extraction 604 m³/h
- Extraction rate exhaust air according to EN 61591:

- max. normal use 372 m³/h, intensive 604 m³/h
- Noise level according to EN 60704-3 und EN 60704-2-13 at max. normal use exhaust air: 60 dB(A) re 1 pW (47 dB(A) re 20 µPa sound pressure)
- Noise level according to EN 60704-3 exhaust air:
- Max. normal use: 60 dB(A) re 1 pW
- Intensive: 70 dB(A) re 1 pW
- Diameter pipe Ø 150 mm (Ø 120 mm enclosed)
- Max. extraction rate: 604 m³/h
- Power rating: 220 W
- Electrical cable length 1.3 m
- With the Clean Air Plus recirculation kit (available as accessory) your appliances reaches:
- Extraction rate in recirculation mode: Max. normal use: 337 m³/h
- Intensive: 441 m³/h
- Noise level in recirculation mode: Max. normal use: 70 dB(A) re 1 pW
- Intensive: 74 dB(A) re 1 pW

N 50, WALL-MOUNTED CANOPY RANGEHOOD, 90
CM, BLACK
D94BHM1S5



If a back panel is used, the design of the appliance must be considered.

measurements in mm

