

N 70, BUILT-IN VACUUM DRAWER, 60 X 14 CM,
FLEX DESIGN
N29XA11Y1



Vacuum drawer - for the preparation of dishes cooked sous vide. Vacuum-sealed dishes steamed in the steam oven on a constant low temperature.

- ✓ Push & Pull – open or close your drawer with a gentle tap on its seamless surface
- ✓ Installation with compact appliance – combine your drawer with any 45 cm appliance

Z1365WX0 Wireless food thermometer, Z9014AY0 Flex Design AG 14 AD/WD/VD 14, Z9014BY0 FlexDesign BB 14 WD/VD 14, Z9014DY0 FlexDesign DB 14 WD/VD 14, Z9014MY0 FlexDesign MS 14 WD/VD 14, Z9060AY0 (SC)FlexDesign AG 60 Oven 60, Z9060BY0 (SC)FlexDesign BB 60 Oven 60, Z9060DY0 (SC)FlexDesign DB 60 Oven 60, Z9060MY0 (SC)FlexDesign MS 60 Oven 60, Z9075AY0 SC FlexDesign AG 75 WD 14 + 60, Z9075BY0 SC FlexDesign BB 75 WD 14 + 60, Z9075DY0 SC FlexDesign DB 75 WD 14 + 60, Z9075MY0 SC FlexDesign MS 75 WD 14 + 60, Z9098AY0 SC FlexDesign AG 98 60 + MW 38, Z9098BY0 SC FlexDesign BB 98 60 + MW 38, Z9098DY0 SC FlexDesign DB 98 60 + MW 38, Z9098MY0 SC FlexDesign MS 98 60 + MW 38, Z9105AY0 SC FlexDesign AG 105 60 + 45, Z9105BY0 SC FlexDesign BB 105 60 + 45, Z9105DY0 SC FlexDesign DB 105 60 + 45, Z9105MY0 SC FlexDesign MS 105 60 + 45, Z912AAY0 SC FlexDesign AG 120 WD14 + 60 + 45, Z912ABY0 SC FlexDesign BB 120 WD14 + 60 + 45, Z912ADY0 SC FlexDesign DB 120 WD14 + 60 + 45, Z912AMY0 SC FlexDesign MS 120 WD14 + 60 + 45, Z912BAY0 SC FlexDesign AG 120 60+60, Z912BBY0 SC FlexDesign BB 120 60+60, Z912BDY0 SC FlexDesign DB 120 60+60, Z912BMY0 SC FlexDesign MS 120 60+60, Z990AAY0 SC FlexDesign AG 90 WD 29 + 60, Z990ABY0 SC FlexDesign BB 90 WD 29 + 60, Z990ADY0 SC FlexDesign DB 90 WD 29 + 60, Z990AMY0 SC FlexDesign MS 90 WD 29 + 60

Z9014AY0 Flex Design AG 14 AD/WD/VD 14, Z9014BY0 FlexDesign BB 14 WD/VD 14, Z9014DY0 FlexDesign DB 14 WD/VD 14, Z9014MY0 FlexDesign MS 14 WD/VD 14, Z9075AY0 SC FlexDesign AG 75 WD 14 + 60, Z9075BY0 SC FlexDesign BB 75 WD 14 + 60, Z9075DY0 SC FlexDesign DB 75 WD 14 + 60, Z9075MY0 SC FlexDesign MS 75 WD 14 + 60, Z912AAY0 SC FlexDesign AG 120 WD14 + 60 + 45, Z912ABY0 SC FlexDesign BB 120 WD14 + 60 + 45, Z912ADY0 SC FlexDesign DB 120 WD14 + 60 + 45, Z912AMY0 SC FlexDesign MS 120 WD14 + 60 + 45, ZC060AY0 SC FlexDesign AG 60 WD14 + Coffee, ZC060BY0 SC FlexDesign BB 60 WD14 + Coffee, ZC060DY0 SC FlexDesign DB 60 WD14 + Coffee, ZC060MY0 SC FlexDesign MS 60 WD14 + Coffee

Built-in / Free-standing: Built-in
 Dimensions (HxWxD): 140 x 595 x 542 mm
 Dimensions of the packed product (HxWxD): . 230 x 660 x 660 mm
 Min. required niche size for installation (HxWxD): . 141 x 560 x 550 mm
 Net weight: 32.2 kg
 Gross weight: 34.0 kg
 EAN code: 4242004265764
 Fuse protection: 6 A
 Voltage: 220-240 V
 Frequency: 50; 60 Hz



N 70, BUILT-IN VACUUM DRAWER, 60 X 14 CM,
FLEX DESIGN
N29XA11Y1

Vacuuming levels:

- 3 vacuuming levels for vacuuming in the chamber, max. 99%
- 3 vacuuming levels for vacuuming outside the chamber, max. 90%
- 3 heat sealing durations for different bag thicknesses and materials.

Design

- Flex Design (available in four colours)
- stainless steel cavity
- Touch Control illuminated
- Touch key operation

Convenience

- Cavity volume: 8 l
- Push&Pull opening mechanism
- Automatic connection recognition for vacuuming outside the chamber
- Drying program for vacuuming pump
- Locking mechanism prevents the drawer from closing accidentally.
- The vacuuum bags are held by a clip safely in their position.

Accessories

- 1 x Adaptor for bottle plugs, 1 x Adaptor f. vacuuming outside the chamber, 50 x Vacuuming bag, big, 50 x Vacuuming bag, small, 1 x Vacuuming hose, 3 x Plugs for vacuuming of bottles

Safety and Environment

- Door contact switch

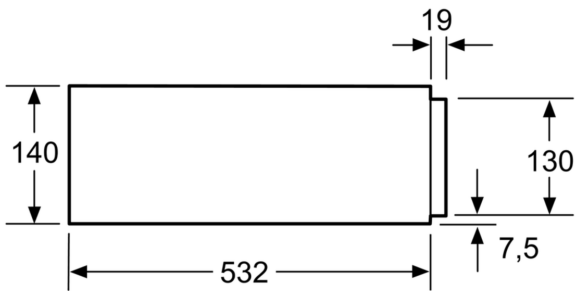
Technical Info

- Length of mains cable: 150 cm
- Total connected load electric: 0.32 KW
- Nominal voltage: 220 - 240 V

Dimensions

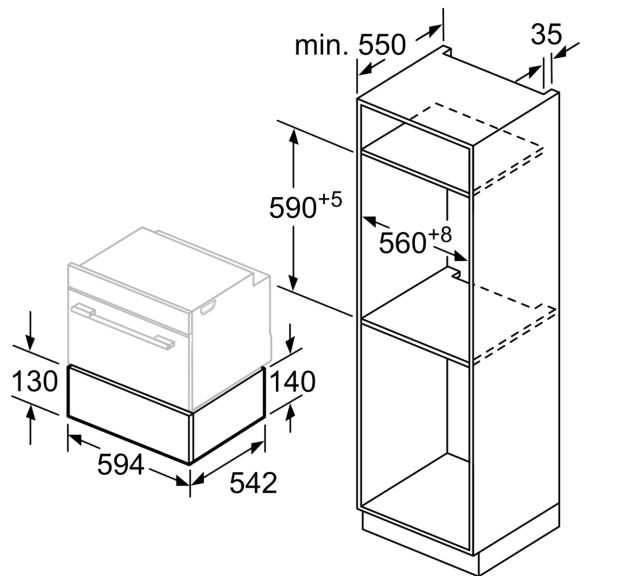
- Appliance dimensions (HxWxD): 140 mm x 595 mm x 542 mm
- Please reference the built-in dimensions provided in the installation drawing

N 70, BUILT-IN VACUUM DRAWER, 60 X 14 CM,
FLEX DESIGN
N29XA11Y1



Compact ovens with an appliance height of 455 mm can be installed above a vacuum sealing drawer. An intermediate floor is not required.

measurements in mm



measurements in mm