

N 70, BUILT-IN WARMING DRAWER, 60 X 29 CM,
FLEX DESIGN
N39HA11Y1B



Preheat plates and cups, so that dishes stay hot longer. Keep warm, for keeping cooked dishes warm.

- ✓ Slow Cook Program - For tender meats, poultry, and vegetables packed with flavour and vitamins.
- ✓ Keep food at the right temperature until you're ready to serve.
- ✓ Keep food warm until you're ready to serve, controlling the drawer from anywhere with HomeConnect!
- ✓ Warm your plates before serving and keep your food at the right temperature from kitchen to table.
- ✓ Push & Pull – open or close your drawer with a gentle tap on its seamless surface

| | |
|----------|--------------------------------|
| Z1365WX0 | Wireless food thermometer |
| Z9029AY0 | FlexDesign AG 29 WD 29 |
| Z9029BY0 | FlexDesign BB 29 WD 29 |
| Z9029DY0 | FlexDesign DB 29 WD 29 |
| Z9029MY0 | FlexDesign MS 29 WD 29 |
| Z990AAY0 | SC FlexDesign AG 90 WD 29 + 60 |
| Z990ABY0 | SC FlexDesign BB 90 WD 29 + 60 |
| Z990ADY0 | SC FlexDesign DB 90 WD 29 + 60 |
| Z990AMY0 | SC FlexDesign MS 90 WD 29 + 60 |

| | |
|----------|--------------------------------|
| Z9029AY0 | FlexDesign AG 29 WD 29 |
| Z9029BY0 | FlexDesign BB 29 WD 29 |
| Z9029DY0 | FlexDesign DB 29 WD 29 |
| Z9029MY0 | FlexDesign MS 29 WD 29 |
| Z990AAY0 | SC FlexDesign AG 90 WD 29 + 60 |
| Z990ABY0 | SC FlexDesign BB 90 WD 29 + 60 |
| Z990ADY0 | SC FlexDesign DB 90 WD 29 + 60 |
| Z990AMY0 | SC FlexDesign MS 90 WD 29 + 60 |

| | |
|--|--------------------|
| Built-in / Free-standing: | Built-in |
| Dimensions (HxWxD): | 290 x 594 x 518 mm |
| Dimensions of the packed product (HxWxD): . | 400 x 650 x 700 mm |
| Min. required niche size for installation (HxWxD): . | 290 x 560 x 550 mm |
| Maximum number of plates: | 40 |
| Maximum number of espresso cups: | 192 |
| Net weight: | 23.7 kg |
| Gross weight: | 25.7 kg |
| EAN code: | 4242004265405 |
| Fuse protection: | 10 A |
| Voltage: | 220-240 V |
| Frequency: | 50; 60 Hz |



N 70, BUILT-IN WARMING DRAWER, 60 X 29 CM,
FLEX DESIGN
N39HA11Y1B

- Multifunctional warming drawer with the heating functions: Low temperature cooking, Keep warm, plate warming, cup warming

Design

- Flex Design (available in four colours)
- Touch Control illuminated
- Touch key operation
- Heating plate made of toughened glass

Convenience

- User-friendly electronics: extremely easy and comfortable operation
- Cavity volume: 54 l usable litres
- Max weight up to 25 kg
- Max. loading espresso cups: 192 PC or Max. loading plates: 40 PC
- Temperature control with 4 levels: 30 °C - 80 °C (glass surface temperature)
- Push&Pull opening mechanism
- Favourites button - manage via Home Connect app
- HomeConnect

Technical Info

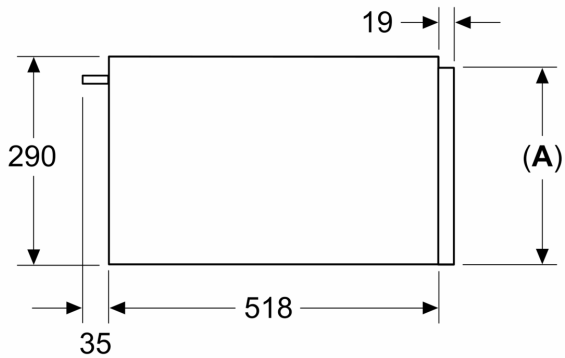
- Length of mains cable: 175 cm
- Total connected load electric: 0.82 KW
- Nominal voltage: 220 - 240 V

Dimensions

- Appliance dimensions (HxWxD): 290 mm x 594 mm x 518 mm
- Installation dimensions (HxWxD): 290 mm x 560 mm - 568 mm x 550 mm
- Please reference the built-in dimensions provided in the installation drawing

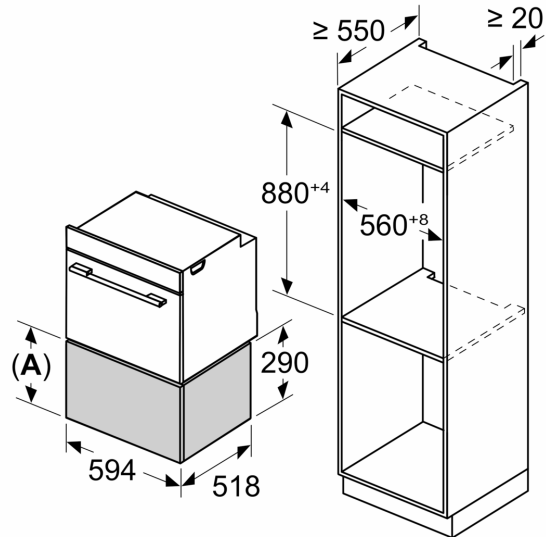
N 70, BUILT-IN WARMING DRAWER, 60 X 29 CM,
 FLEX DESIGN
 N39HA11Y1B

Measurements in mm



A: 287.5 mm
 Ovens with appliance height of 595 mm can be installed above the warming drawer without an intermediate floor

Measurements in mm



A: 287.5 mm