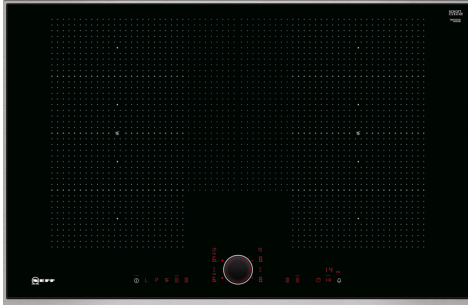


N 90, FLEX INDUCTION COOKTOP, 80 CM, BLACK, T68TS61N0



Z9401FF0 Flex Pan, large, Z9401TY0 Teppan Yaki, Z9403FF0 Flex Pan set, 3 pcs., Z9404FF0 Flex Pan set, 4 pcs., Z9404SE0 4 pieces Set, Z9406SE0 6 pieces Set, Z9410ES0 Espresso maker 4 cups, Z9410X1 Stainless Steel roaster with glas lid, Z9415X1 Steaming Rack for Stainless Steel roaste, Z9416X2 Griddle Plate, Z9417X2 Teppan Yaki (large), Z9428FE0 Iron pan Ø 18 / 28 cm, Z943SE0 Set of 2 pots and 1 pan, Z9451X0 System pan diameter 15 cm, Z9453X0 System pan diameter 21 cm, Z9455X0 System pan diameter 28 cm, Z9914X0 Connecting strip

Standalone FlexInduction cooktop with TwistPad® Fire control.

- ✓ TwistPadFire® – our removable, magnetic, illuminated control dial that gives you precise control over all cooking zones.
- ✓ Power Move – Just slide your cookware to adjust the temperature.
- ✓ Power Boost – An extra surge of heat when you need fast results.
- ✓ Induction - Heat generated directly in cookware means precise cooking that stops instantly when off.
- ✓ Power Move - Change temperature with a simple slide of your cookware.

Product name/family: ..... Cooking zone ceramic  
 Built-in / Free-standing: ..... Built-in  
 Energy input: ..... Electric  
 Total number of positions that can be used at the same time: 4  
 Min. required niche size for installation (HxWxD): . 51 x 750-780 x 490-500 mm  
 Width of the appliance: ..... 826 mm  
 Dimensions (HxWxD): ..... 51x826x546 mm  
 Dimensions of the packed product (HxWxD): . 126 x 953 x 603 mm  
 Net weight: ..... 16.7 kg  
 Gross weight: ..... 20.4 kg  
 Residual heat indicator: ..... separate  
 Location of control panel: ..... Front  
 Basic surface material: ..... Ceramic  
 Color of surface: .....Black, Stainless steel  
 Color of frame: .....Stainless steel  
 Length electrical supply cord: ..... 110.0 cm  
 EAN code: .....4242004190882  
 Voltage: ..... 220-240 V  
 Frequency: ..... 50; 60 Hz



## N 90, FLEX INDUCTION COOKTOP, 80 CM, BLACK, T68TS61N0

- 80 cm Cooktop Induction: space for 4 pots or pans.

### Flexibility of cooking zones

- 2 Flex zones + auxiliary zone: use cookware of any shape or size anywhere within the 40cm long zone or even place it laterally.
- Cooking zone front left: 230 mm, 200 mm, 2.2 KW (max. power 3.7 KW)
- Cooking zone rear left: 230 mm, 200 mm, 2.2 KW (max. power 3.7 KW)
- Cooking zone rear right: 230 mm, 200 mm, 2.2 KW (max power 3.7 KW)
- Cooking zone front right: 230 mm, 200 mm, 2.2 KW (max. power 3.7 KW)

### Usage convenience

- 17 power levels for each cooking zone: precisely adapt the heat with 17 power levels (9 main levels and 8 intermediate levels).
- LED display and timer with auto switch off for all cooking zones: switches off the cooking zone at the end of the time set (e.g. for boiled eggs).
- Alarm clock: an alarm sounds at the end of the time set (e.g. for pasta).
- Count-up timer: shows how much time has passed since starting the timer (e.g. for potatoes).

### Time saving & efficiency

- Power Boost function for all cooking zones: boil water faster with up to 50% more energy than at the highest standard level.
- Cooking zones will automatically join and separate based on the shape and size of the cookware placed.
- PowerMove: increase or decrease the power level simply by moving the pot forwards or backwards.
- PowerTransfer: when moving a pot to a different cooking zone, transfer all previous settings to the new zone at the touch of a button.
- QuickStart - Quick and automatic first pot detection: when switching on, the cooktop automatically selects the cooking zone with cookware on it.
- ReStart function: in case of unintentional switch-off, restore all previous settings by switching on the cooktop again within 4 seconds.

### Cooking assistance

- FryingSensor with 5 temperature settings: prevents scorching with the automatic temperature regulation of the integrated sensor.

### Design

- Black ceramic glass with stainless steel flush-fitted trim

### Safety

- Residual heat indicator: Digital 2-step: indicates which cooking zones are still hot or warm.
- Child safety lock: prevent unintended activation of the cooktop.
- Wipe protection function: wipe overboiled liquids without unintentionally changing settings (blocking all touch buttons for 30 seconds).
- Main switch: switch off all cooking zones at the touch of a button.
- Automatic safety switch-off: for safety reasons, heating stops after

a preset time without interaction.

- Energy consumption display: shows the electricity consumption of the last cooking process.

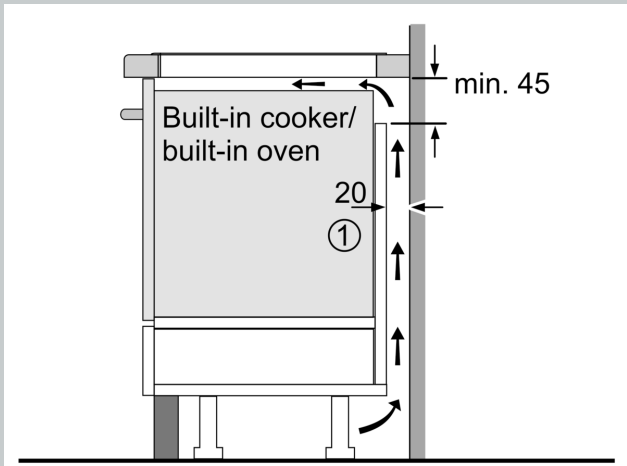
### Installation

- Dimensions of the product (HxWxD mm): 51 x 826 x 546
- Required niche size for installation (HxWxD mm) : 51 x 750 x (490 - 500)
- Min. worktop thickness: 16 mm
- Connected load: 7.4 KW
- Power cord: 1.1 m, Cable included

### Accessories

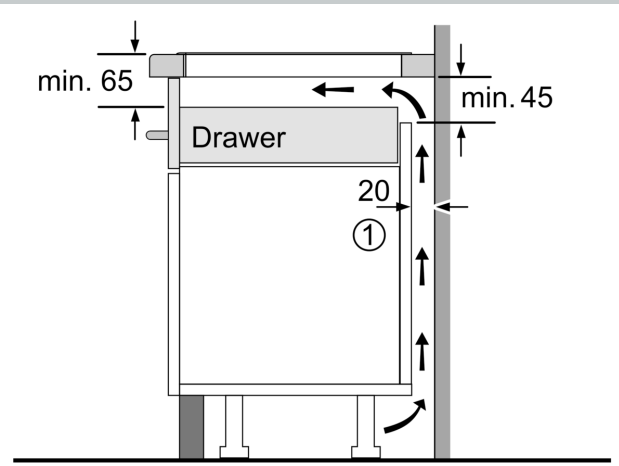
- adjustment strip 750 - 780 mm included

N 90, FLEX INDUCTION COOKTOP, 80 CM, BLACK,  
T68TS61N0



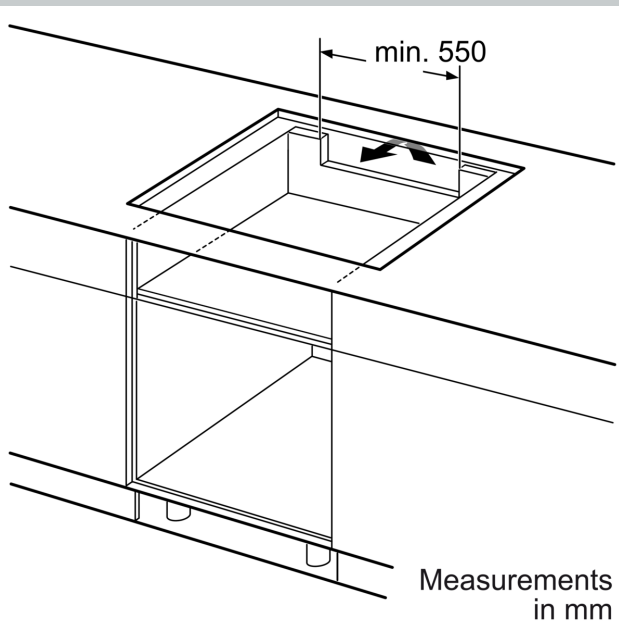
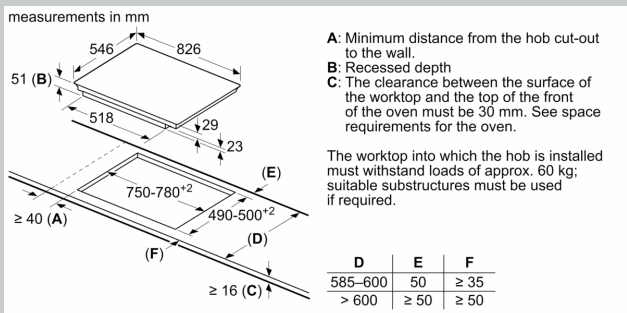
① Ventilation gap must be present

All measurements in mm



① Ventilation gap must be present.

Measurements in mm



Measurements in mm