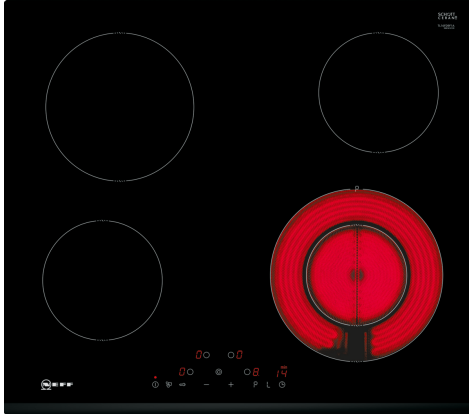


N 70, ELECTRIC COOKTOP, 60 CM, BLACK,
TL16FD9F1A



Z9367X0 Intermediate bottom
Z9428FE0 Iron pan Ø 18 / 28 cm
Z943SE0 Set of 2 pots and 1 pan

Standalone electric cooktop with TouchControl

- ✓ Touch Control – Control your hob with a simple touch.
- ✓ Power Boost – An extra surge of heat when you need fast results.

Product name/family: Cooking zone ceramic
 Built-in / Free-standing: Built-in
 Energy input: Electric
 Total number of positions that can be used at the same time: 4
 Min. required niche size for installation (HxWxD): . 45 x 560-560 x 490-500 mm
 Width of the appliance: 592 mm
 Dimensions (HxWxD): 45 x 592 x 522 mm
 Dimensions of the packed product (HxWxD): . 100 x 750 x 590 mm
 Net weight: 7.5 kg
 Gross weight: 8.2 kg
 Residual heat indicator: separate
 Location of control panel: Front
 Basic surface material: Ceramic
 Color of surface: Black
 EAN code: 4242004258681
 Voltage: 220-240 V
 Frequency: 50; 60 Hz



N 70, ELECTRIC COOKTOP, 60 CM, BLACK, TL16FD9F1A

- 60 cm Cooktop Radiant: space for 4 pots or pans.

Flexibility of cooking zones

- Ring zone double: use regular or larger cookware on the expandable cooking zone.
- Cooking zone front left: 145 mm, 1.2 KW
- Cooking zone rear left: 180 mm, 2 KW
- Cooking zone rear right: 145 mm, 1.2 KW
- Cooking zone front right: 120 mm, 210 mm, 0.8 KW (max. power 2.6 KW)

Usage convenience

- Electronic touch control: control the power with imprinted +/- touch buttons.
- 17 power levels for each cooking zone: precisely adapt the heat with 17 power levels (9 main levels and 8 intermediate levels).
- Switch-off timer: switches off the cooking zone at the end of the time set (e.g. for boiled eggs).
- Count-down timer: an alarm sounds at the end of the time set (e.g. for pasta).

Time saving & efficiency

- PowerBoost function in the front right zone: boil water more quickly thanks to 20% more energy than at the highest standard level.
- ReStart function: in case of unintentional switch-off, restore all previous settings by switching on the cooktop again within 4 seconds.
- Quick Stop: quickly switch off a cooking zone with one longer touch.

Design

- Beveled front

Safety

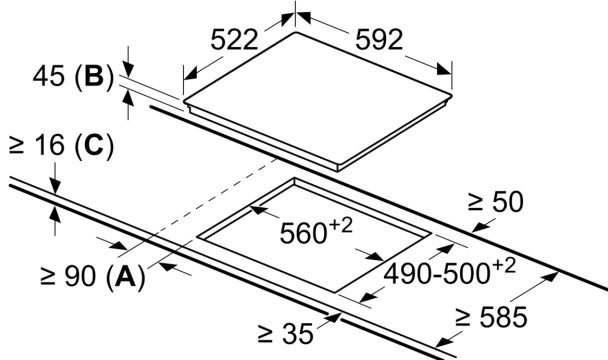
- Residual heat indicator: Digital 2-step: indicates which cooking zones are still hot or warm.
- Child safety lock: prevent unintended activation of the cooktop.
- Wipe protection function: wipe overboiled liquids without unintentionally changing settings (blocking all touch buttons for 30 seconds).
- Main switch: switch off all cooking zones at the touch of a button.
- Power on indicator light: indicates if the cooktop is heating.
- Automatic safety switch-off: for safety reasons, heating stops after a preset time without interaction (customisable).
- Energy consumption display: shows the electricity consumption of the last cooking process.

Installation

- Dimensions of the product (HxWxD mm): 45 x 592 x 522
- Required niche size for installation (HxWxD mm) : 45 x 560 x (490 - 500)
- Min. worktop thickness: 16 mm
- Connected load: 7 KW

N 70, ELECTRIC COOKTOP, 60 CM, BLACK,
TL16FD9F1A

measurements in mm



- A:** Minimum distance from the hob cut-out to the wall.
- B:** Recessed depth
- C:** With fitted oven underneath min. 20, possibly more; see space requirements for the oven.