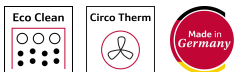


N 50, BUILT-IN OVEN, 60 X 60 CM,
GRAPHITE-GREY
B1ACE4AG3B



Optimal cooking results: CircoTherm® hot-air system for simultaneous baking and roasting on up to 3 levels.

- ✓ Eco Clean with Easy Clean - the duo that makes oven cleaning easier
- ✓ LCD-Display – simple, straightforward with large characters for clear reading
- ✓ CircoTherm® – Smart hot-air solution that lets you bake on up to three levels at once.
- ✓ Soft Close with Soft Opening - the damping system cushions the door for gentle opening and closing. *Model featured has drop down door*

Features

Technical Data

Built-in / Free-standing: Built-in
 Integrated Cleaning system: EcoClean programme, Hydrolytic
 Required niche size for installation (HxWxD): 585-595 x 560-568 x 550 mm
 Dimensions: 595x594x548 mm
 Dimensions of the packed product (HxWxD): 675x660x690 mm
 Control Panel Material: Glass
 Door Material: Glass
 Net weight: 33.4 kg
 Usable volume of cavity: 71 l
 Cooking method: Full width grill, Hotair gentle, Hot Air, Conventional heat, Pizza setting, Hot air grilling
 Length electrical supply cord: 120 cm
 EAN code: 4242004281061
 Number of cavities (2010/30/EC): 1
 Energy efficiency rating: A+
 Energy consumption per cycle conventional (2010/30/EC): 0.94 kWh/cycle
 Energy consumption per cycle forced air convection (2010/30/EC): 0.69 kWh/cycle
 Energy efficiency index (2010/30/EC): 81.2 %
 Connection Rating: 2990 W
 Fuse protection: 13 A
 Voltage: 220-240 V
 Frequency: 50; 60 Hz
 Plug type: no plug (electrical connection by electrician)
 Included accessories: 2 x combination grid, 1 x universal pan

Included accessories

2 x combination grid, 1 x universal pan

Optional accessories

Z11CR10X0	Baking and roasting grid (standard)
Z11T115X0	Cliprails
Z1365WX0	Wireless food thermometer
Z13CV06S0	Decor strip
Z1608BX0	Full ext rails, level independent
Z1650BE0	Half tray
Z1655CA0	Air Fry & Grill tray
Z166CAX0	SC FlexDesign mounting kit



N 50, BUILT-IN OVEN, 60 X 60 CM,
GRAPHITE-GREY
B1ACE4AG3B

Features

Features

- Oven with Multifunction oven with 6 cooking functions: heating methods: CircoTherm®, Top/bottom heat, Circo-roasting, Full surface grill, CircoTherm® intensive, CircoTherm® gentle
- Temperature range 50 °C - 275 °C
- Cavity volume: 71 litre

Level independent telescopic rails

- 4 shelf positions
- Available as an accessory

Design

- Graphite-Grey Edition
- Elongated designed dials, Retractable control dials, Bevelled oval controls With steel trim
- Cavity inner surface: enamel anthracite

Cleaning

- EcoClean Direct : back panel
- EasyClean
- Full glass inner door

Programmes/functions

- LCD Display (White)
- Electronic clock timer
- Heating up indicator
- Automatic start
- Drop down door, SoftClose, soft opening
- Bar handle
- Manual rapid heating up
- Interior halogen light
- Cooling fan
- Stainless-steel fan

Accessories

- 2 x combination grid, 1 x universal pan

Features

- Heat reflective glass
- Triple glazed door glazed CoolTouch door
- Control panel lock

Technical information

- 120 cm Cable length
- Nominal voltage: 220 - 240 V
- Total connected load electric: 2.99 KW

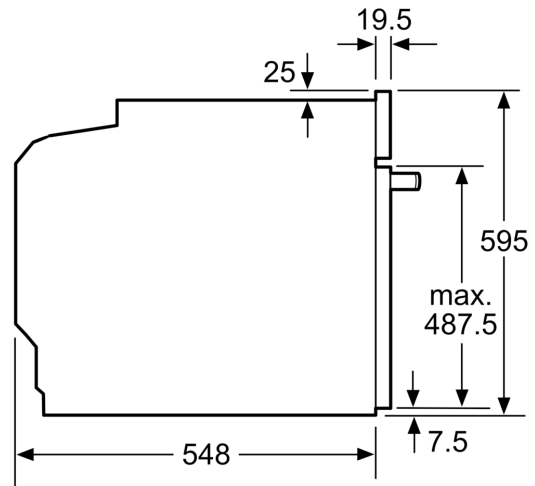
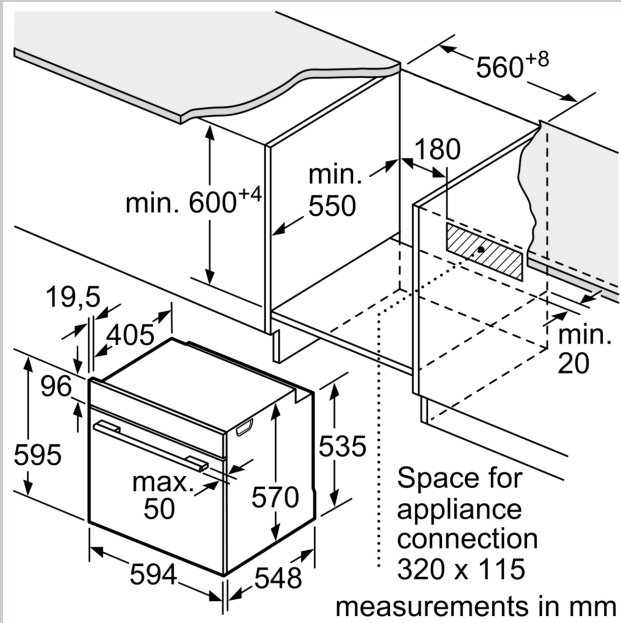
Performance/technical information

- Appliance dimension (hwxwd): 595 mm x 594 mm x 548 mm
- Niche dimension (hwxwd): 585 mm - 595 mm x 560 mm - 568 mm x 550 mm
- "For-details-on-installation-and-ventilation requirements – please refer to the installation manual prior to fitting."
- We recommend you to choose complementary products within N50, in order to assure an optimal design combination of your

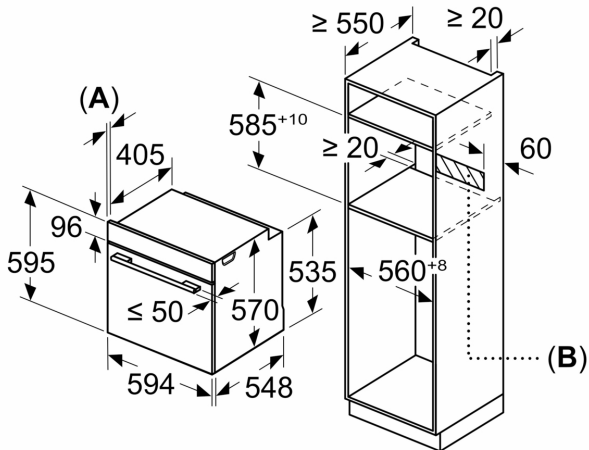
Built-In appliances.

N 50, BUILT-IN OVEN, 60 X 60 CM,
GRAPHITE-GREY
B1ACE4AG3B

Dimensioned drawings



Measurements in mm



A: 19,5 mm
B: Space for appliance connection 320 x 115 mm

Installation with a hob.

