

N 30, BUILT-IN OVEN, 60 X 60 CM, BLACK  
B1DCC0AK3B



Optimal cooking results: CircoTherm® hot-air system for simultaneous baking and roasting on up to 3 levels.

- ✓ LED-Display - simple, straightforward for clear reading
- ✓ CircoTherm® – Smart hot-air solution that lets you bake on up to three levels at once.
- ✓ Energy Efficiency Class A+: Energy efficient cooking, more joy, less fuss.

Features

Technical Data

Built-in / Free-standing: ..... Built-in  
 Integrated Cleaning system: ..... No  
 Required niche size for installation (HxWxD): 585-595 x 560-568 x 550 mm  
 Dimensions: ..... 595x594x548 mm  
 Dimensions of the packed product (HxWxD): .....675x660x690 mm  
 Control Panel Material: ..... Glass  
 Door Material: ..... Glass  
 Net weight: ..... 33.7 kg  
 Usable volume of cavity: ..... 71 l  
 Cooking method: ..... Full width grill, Hotair gentle, Hot Air, Conventional heat, Hot air grilling  
 Length electrical supply cord: ..... 120 cm  
 EAN code: .....4242004281092  
 Number of cavities (2010/30/EC): ..... 1  
 Energy efficiency rating: ..... A+  
 Energy consumption per cycle conventional (2010/30/EC): 0.94 kWh/cycle  
 Energy consumption per cycle forced air convection (2010/30/EC): ..... 0.69 kWh/cycle  
 Energy efficiency index (2010/30/EC): .....81.2 %  
 Connection Rating: ..... 2990 W  
 Fuse protection: ..... 13 A  
 Voltage: ..... 220-240 V  
 Frequency: ..... 50; 60 Hz  
 Plug type: ..... no plug (electrical connection by electrician)  
 Included accessories: .....2 x combination grid, 1 x universal pan



Included accessories

2 x combination grid, 1 x universal pan

Optional accessories

Z11CR10X0	Baking and roasting grid (standard)
Z11T115X0	Cliprails
Z1365WX0	Wireless food thermometer
Z13CV06S0	Decor strip
Z1608BX0	Full ext rails, level independent
Z1650BE0	Half tray
Z1655CA0	Air Fry & Grill tray
Z166CAX0	SC FlexDesign mounting kit

N 30, BUILT-IN OVEN, 60 X 60 CM, BLACK  
B1DCC0AK3B

## Features

### Features

- Oven with 5 main functions heating methods: CircoTherm®, Top/bottom heat, Circo-roasting, Full surface grill, CircoTherm® gentle
- Temperature range 50 °C - 275 °C
- Cavity volume: 71 litre

### Level independent telescopic rails

- 4 shelf positions
- Available as an accessory

### Design

- Elongated designed dials, round With steel trim
- Cavity inner surface: enamel anthracite

### Cleaning

- Full glass inner door

### Programmes/functions

- LED Display (Red)
- Electronic clock timer
- Heating up indicator
- Automatic start
- Bar handle
- Manual rapid heating up
- Interior halogen light
- Cooling fan
- Stainless-steel fan

### Accessories

- 2 x combination grid, 1 x universal pan

### Features

- Heat reflective glass
- Triple glazed door glazed CoolTouch door
- Control panel lock

### Technical information

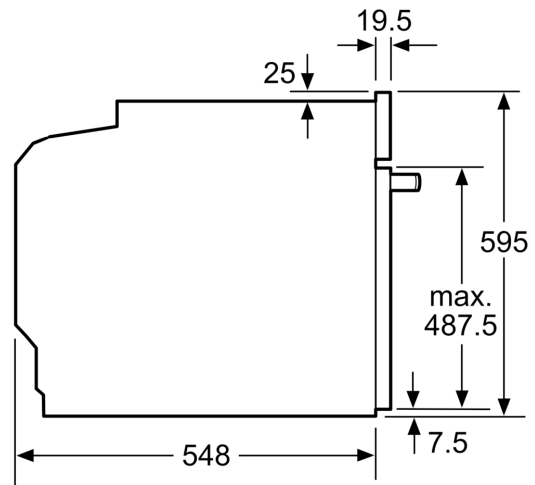
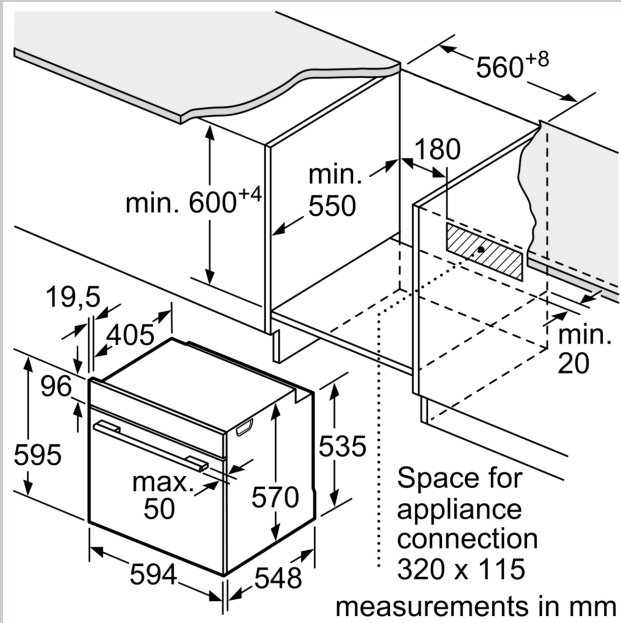
- 120 cm Cable length
- Nominal voltage: 220 - 240 V
- Total connected load electric: 2.99 KW

### Performance/technical information

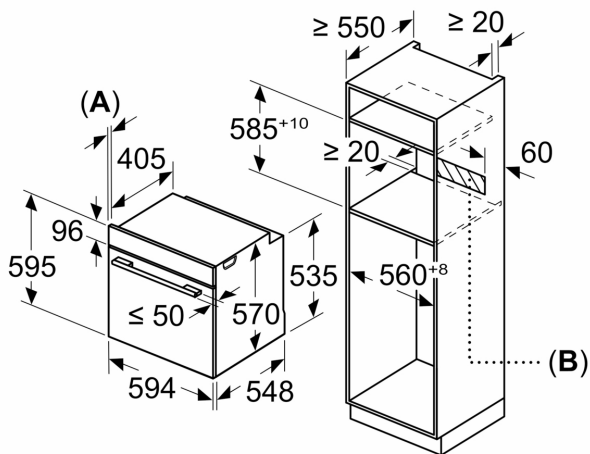
- Appliance dimension (hxwx): 595 mm x 594 mm x 548 mm
- Niche dimension (hxwx): 585 mm - 595 mm x 560 mm - 568 mm x 550 mm
- "For-details-on-installation-and-ventilation requirements – please refer to the installation manual prior to fitting."

N 30, BUILT-IN OVEN, 60 X 60 CM, BLACK  
B1DCC0AK3B

Dimensioned drawings



Measurements in mm



**A:** 19.5 mm  
**B:** Space for appliance connection 320 x 115 mm

Installation with a hob.

