

N 30, BUILT-IN OVEN, 60 X 60 CM, BLACK  
B2DCG7AK3B



Optimal cooking results: CircoTherm® hot air system and Pyrolytic Self-Cleaning.

- ✓ Dual cleaning options: Pyrolytic cleaning programmes - just let the oven interior clean itself. EasyClean - the quick and easy option for day to day maintenance.
- ✓ LED-Display - simple, straightforward for clear reading
- ✓ CircoTherm® - Smart hot-air solution that lets you bake on up to three levels at once.
- ✓ Energy Efficiency Class A+: Energy efficient cooking, more joy, less fuss.

### Features

#### Technical Data

Built-in / Free-standing: ..... Built-in  
 Integrated Cleaning system: ..... Pyrolytic+Hydrolytic  
 Required niche size for installation (HxWxD): 585-595 x 560-568 x 550 mm  
 Dimensions: ..... 595x594x548 mm  
 Dimensions of the packed product (HxWxD): .....675x660x690 mm  
 Control Panel Material: ..... Glass  
 Door Material: ..... Glass  
 Net weight: ..... 36.7 kg  
 Usable volume of cavity: ..... 71 l  
 Cooking method: ..... Full width grill, Hotair gentle, Hot Air, Conventional heat, Pizza setting, Bottom heat, Hot air grilling  
 Length electrical supply cord: ..... 120 cm  
 EAN code: .....4242004281214  
 Number of cavities (2010/30/EC): ..... 1  
 Energy efficiency rating: ..... A+  
 Energy consumption per cycle conventional (2010/30/EC): 0.94 kWh/cycle  
 Energy consumption per cycle forced air convection (2010/30/EC): ..... 0.69 kWh/cycle  
 Energy efficiency index (2010/30/EC): .....81.2 %  
 Connection Rating: .....2990 W  
 Fuse protection: ..... 13 A  
 Voltage: .....220-240 V  
 Frequency: .....50; 60 Hz  
 Plug type: ..... no plug (electrical connection by electrician)  
 Included accessories: .....2 x combination grid, 1 x universal pan

#### Included accessories

2 x combination grid, 1 x universal pan

#### Optional accessories

Z1365WX0	Wireless food thermometer
Z13CV06S0	Decor strip
Z1608BX0	Full ext rails, level independent
Z1650BE0	Half tray
Z1655CA0	Air Fry & Grill tray
Z166CAX0	SC FlexDesign mounting kit
Z11CR10X0	Baking and roasting grid (standard)
Z11TI15X0	Cliprails



4 242004 281214

N 30, BUILT-IN OVEN, 60 X 60 CM, BLACK  
B2DCG7AK3B

Features

**Features**

- Oven with 7 PC heating methods: CircoTherm®, Top/bottom heat, Circo-roasting, Full surface grill, CircoTherm® intensive, Bottom heat, CircoTherm® gentle
- Temperature range 50 °C - 275 °C
- Cavity volume: 71 litre

**Level independent telescopic rails**

- 4 shelf positions
- Available as an accessory

**Design**

- Elongated designed dials, round With steel trim
- Cavity inner surface: enamel anthracite

**Cleaning**

- Pyrolytic cleaning
- EasyClean
- Full glass inner door

**Programmes/functions**

- LED-display control (red)
- Electronic clock timer
- Actual temperature display
- Heating up indicator
- Automatic start
- Bar handle
- Manual rapid heating up
- Interior halogen light, On/off button
- Cooling fan
- Stainless-steel fan
- Info button

**Accessories**

- 2 x combination grid, 1 x universal pan

**Features**

- 30 °C - Very low door temperature
- Low door temperature during pyrolytic cleaning
- Quadruple glazed door glazed CoolTouch door
- Door lock during pyrolytic cleaning
- Control panel lock
- Automatic safety switch off

**Technical information**

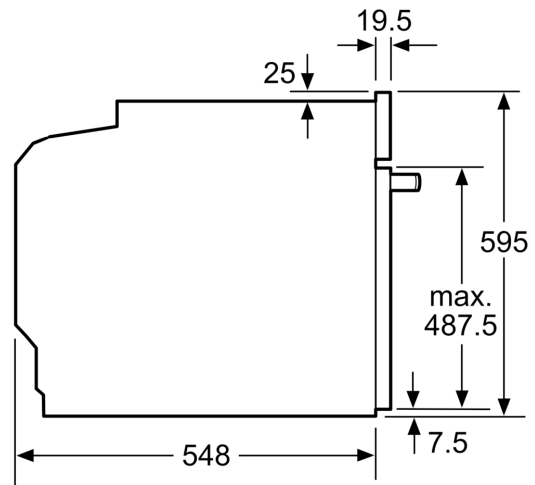
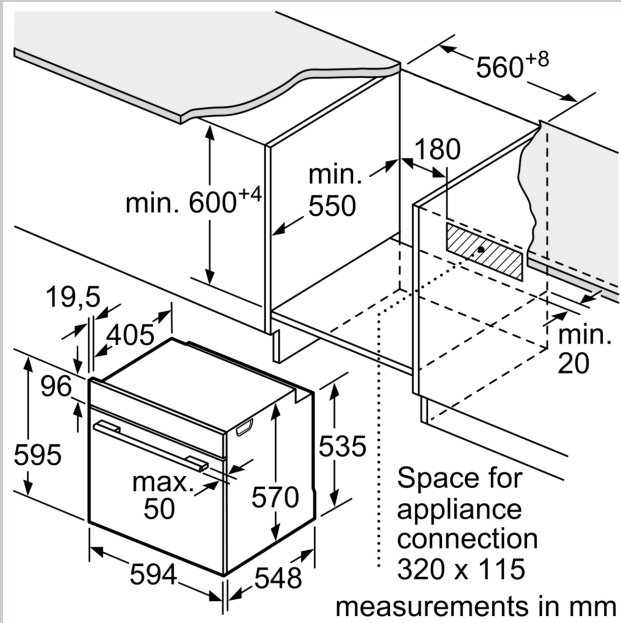
- 120 cm Cable length
- Nominal voltage: 220 - 240 V
- Total connected load electric: 2.99 KW

**Performance/technical information**

- Appliance dimension (hwxwd): 595 mm x 594 mm x 548 mm
- Niche dimension (hwxwd): 585 mm - 595 mm x 560 mm - 568 mm x 550 mm
- "For-details-on-installation-and-ventilation requirements – please refer to the installation manual prior to fitting."

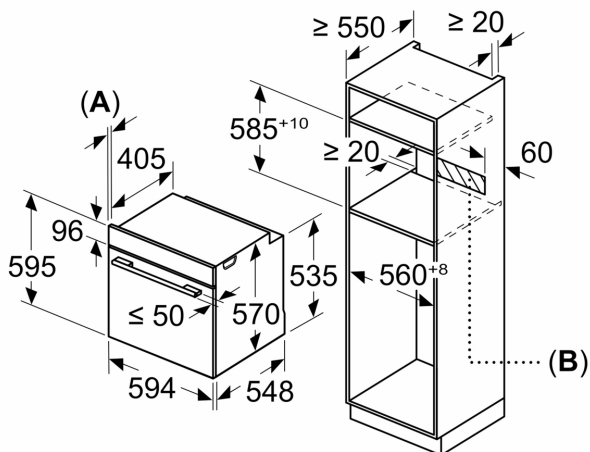
N 30, BUILT-IN OVEN, 60 X 60 CM, BLACK  
B2DCG7AK3B

Dimensioned drawings



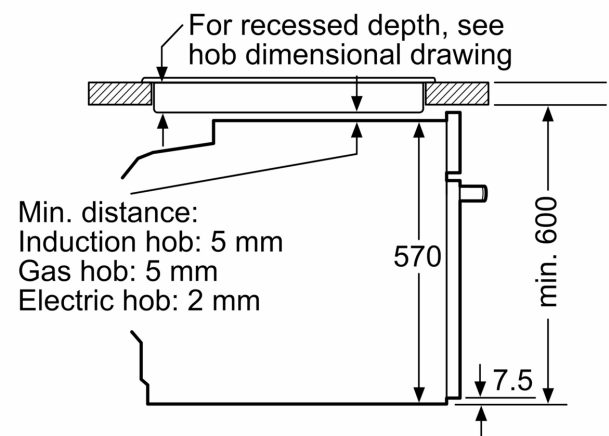
measurements in mm

Measurements in mm



- A: 19.5 mm
- B: Space for appliance connection 320 x 115 mm

Installation with a hob.



measurements in mm