

N 50, BUILT-IN OVEN WITH ADDED STEAM FUNCTION, 60 X 60 CM, GRAPHITE-GREY B3AVH4HGOB



A



- ✓ Slide&Hide® – The fully retracting oven door.
- ✓ CircoTherm® – Smart hot-air solution that lets you bake on up to three levels at once.
- ✓ Added Steam - a simple push for the right amount of steam to make your food juicy on the inside and crispy on the outside
- ✓ Eco Clean with Easy Clean - the duo that makes oven cleaning easier
- ✓ LCD-Display – simple, straightforward with large characters for clear reading

Features

Technical Data

Built-in / Free-standing: Built-in
 Integrated Cleaning system: EcoClean programme, Hydrolytic
 Min. required niche size for installation (HxWxD): 585-595 x 560-568 x 550 mm
 Dimensions: 595 x 594 x 548 mm
 Dimensions of the packed product (HxWxD): . 670 x 660 x 690 mm
 Control Panel Material: Glass
 Door Material: Glass
 Net weight: 36.7 kg
 Usable volume of cavity: 71 l
 Cooking method: Reheat with steam, Bread Baking Setting, Full width grill, Hotair gentle, Hot Air, Conventional heat, Pizza setting, Hot air grilling
 Oven control: electronic
 Number of interior lights: 1
 Length electrical supply cord: 120.0 cm
 EAN code: 4242004263500
 Number of cavities (2010/30/EC): 1
 Energy efficiency rating: A
 Energy consumption per cycle conventional (2010/30/EC): 1.04 kWh/cycle
 Energy consumption per cycle forced air convection (2010/30/EC): 0.81 kWh/cycle
 Energy efficiency index (2010/30/EC): 95.3 %
 Connection Rating: 3600 W
 Fuse protection: 16 A
 Voltage: 220-240 V
 Frequency: 50; 60 Hz
 Plug type: no plug (electrical connection by electrician)
 Included accessories: 1 x universal pan, 2 x combination grid

Included accessories

1 x universal pan, 2 x combination grid

Optional accessories

Z11AB15A0	Baking tray, non-stick ceramic coated
Z11AU15A0	Universal pan, non-stick ceramic coated
Z11CR10X0	Baking and roasting grid (standard)
Z11T115X0	Cliprails
Z12CB10A0	Baking tray, enamelled
Z12CP10A0	Pizza pan, enamelled
Z12CU10A0	Multipurpose pan, enamelled
Z13CR10X0	Baking and roasting grid (steam)
Z13CV05S0	Cover Strip
Z1608BX0	Full ext rails, level independent
Z1655CA0	Air Fry & Grill tray
Z1913X0	Baking Stone



N 50, BUILT-IN OVEN WITH ADDED STEAM
FUNCTION, 60 X 60 CM, GRAPHITE-GREY
B3AVH4HGOB

Features

Features

- Oven with 8 heating methods: CircoTherm®, Top/bottom heat, Circo-roasting, Full surface grill, CircoTherm® intensive, Bread baking, CircoTherm® gentle, Reheat with steam
- Heating modes in combination with steam function: CircoTherm®, Circo-roasting, Top/bottom heat
- Temperature range 30 °C - 275 °C
- Cavity volume: 71 litre

Level independent telescopic rails

- 4 shelf positions
- 1 Clip rail, Stop function

Design

- Graphite-Grey Edition
- Elongated designed dials, Retractable control dials, Bevelled oval controls
- Cavity inner surface: enamel anthracite

Cleaning

- EcoClean Direct : back panel
- EasyClean
- Full glass inner door

Programmes/functions

- LCD-Display Control (white)
- Electronic clock timer
- Temperature proposal
- Actual temperature display Heating up indicator automatic programmes: Automatic start
- Number of automatic programmes: 15 PC
- Additional functions:
- De-scaling programme
- steam level high steam level low
- Slide&Hide® with fixed handle
- Bar handle
- Automatic programmes
- Rapid heat
- Interior halogen light, On/off button
- Water tank capacity with a volume of 220ml
- Location of water tank: Outside cavity
- Cooling fan
- Stainless-steel fan
- Info button
- HomeConnect ready on WLAN

Accessories

- 2 x combination grid, 1 x universal pan

Features

- Heat reflective glass
- Triple glazed door glazed CoolTouch door
- Control panel lock

- Automatic safety switch off Residual heat indicator Door contact switch

Technical information

- 120 cm Cable length
- Nominal voltage: 220 - 240 V
- Total connected load electric: 3.6 KW
- Energy efficiency rating (acc. EU Nr. 65/2014): A
- Energy consumption per cycle in conventional mode: 1.04 kWh
- Energy consumption per cycle in fan-forced convection mode: 0.81 kWh
- Number of cavities: Main cavity Heat source: electrical Cavity volume: 71 litre

Performance/technical information

- Appliance dimension (hxwx): 595 mm x 594 mm x 548 mm
- Niche dimension (hxwx): 585 mm - 595 mm x 560 mm - 568 mm x 550 mm
- Please refer to the dimensions provided in the installation manual
- We recommend you to choose complementary products within N50, in order to assure an optimal design combination of your Built-In appliances.

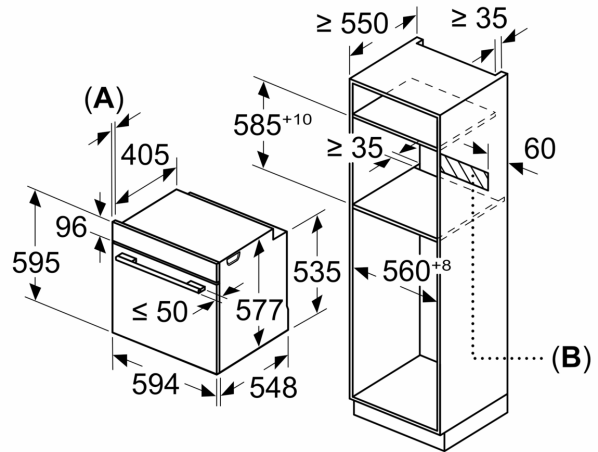
N 50, BUILT-IN OVEN WITH ADDED STEAM
FUNCTION, 60 X 60 CM, GRAPHITE-GREY
B3AVH4HGOB

Dimensioned drawings

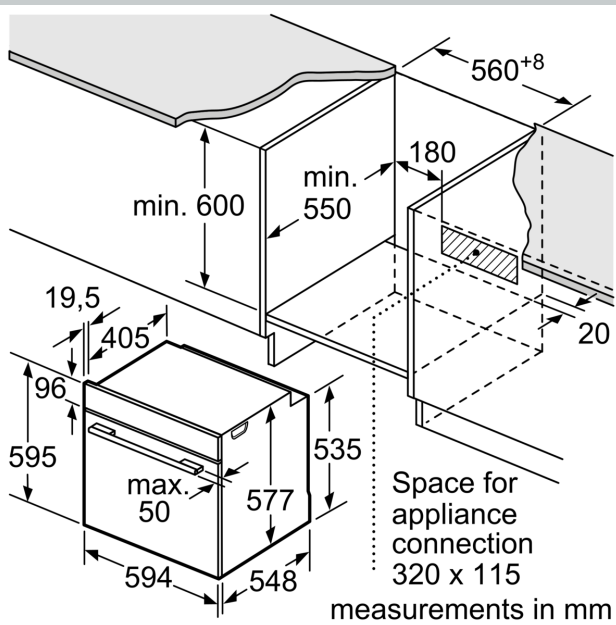
If the appliance will be installed underneath a hob, the following worktop thicknesses (including substructure if necessary) must be taken into account.

Hob type	min. worktop thickness	
	fitted	flush
Induction hob	37 mm	38 mm
Full surface Induction hob	47 mm	48 mm
Gas hob	30 mm	38 mm
Electric hob	27 mm	30 mm

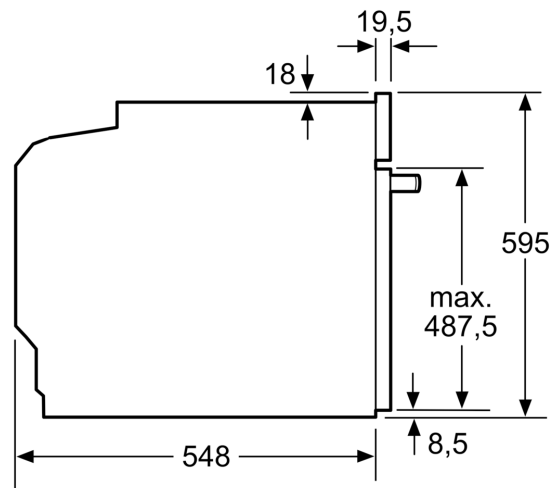
Measurements in mm



A: 19.5 mm
B: Space for appliance connection 320 x 115 mm



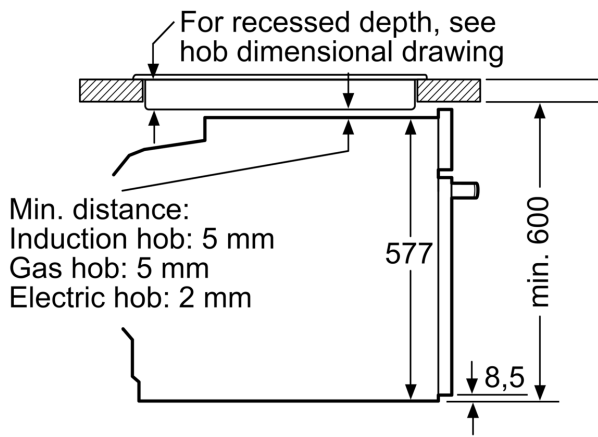
measurements in mm



measurements in mm

Dimensioned drawings

Installation with a hob.



measurements in mm