

N 30, BUILT-IN OVEN, 60 X 60 CM, STAINLESS
STEEL
B3CCCOANOB



Built-in Slide&Hide® oven with fixed handle - unrestricted access to the oven interior thanks to the fully retracting oven door

- ✓ Slide&Hide® – The fully retracting oven door.
- ✓ CircoTherm® – Smart hot-air solution that lets you bake on up to three levels at once.
- ✓ LED-Display - simple, straightforward for clear reading

Built-in / Free-standing: Built-in
 Integrated Cleaning system: No
 Required niche size for installation (HxWxD): 585-595 x 560-568 x 550 mm
 Dimensions: 595x594x548 mm
 Dimensions of the packed product (HxWxD): . 660 x 660 x 690 mm
 Control Panel Material: Stainless steel
 Door Material: Glass
 Net weight: 34.8 kg
 Usable volume of cavity: 71 l
 Cooking method: Full width grill, Hotair gentle, Hot Air, Conventional heat, Hot air grilling
 Oven control: mechanical
 Length electrical supply cord: 120.0 cm
 EAN code: 4242004248705
 Number of cavities (2010/30/EC): 1
 Energy efficiency rating: A
 Energy consumption per cycle conventional (2010/30/EC): 1.04 kWh/cycle
 Energy consumption per cycle forced air convection (2010/30/EC): 0.81 kWh/cycle
 Energy efficiency index (2010/30/EC): 95.3 %
 Connection Rating: 2990 W
 Fuse protection: 13 A
 Voltage: 220-240 V
 Frequency: 50; 60 Hz
 Plug type: no plug (electrical connection by electrician)
 Included accessories: 2 x combination grid, 1 x universal pan



2 x combination grid, 1 x universal pan

Z1365WX0 Wireless food thermometer, Z13CR10X0 Baking and roasting grid (steam), Z13CV05S0 Cover Strip, Z1608BX0 Full ext rails, level independent, Z1650BE0 Half tray, Z1655CA0 Air Fry & Grill tray, Z1913X0 Baking Stone, Z11GU20X0 Glasspan, Z11TI15X0 Cliprails, Z12CB10A0 Baking tray, enamelled, Z12CL10A0 Lid for professional pan, enamelled, Z12CN10A0 Professional pan, enamelled, Z12CP10A0 Pizza pan, enamelled, Z12CU10A0 Multipurpose pan, enamelled, Z11AB15A0 Baking tray, non-stick ceramic coated, Z11AU15A0 Universal pan, non-stick ceramic coated, Z11CR10X0 Baking and roasting grid (standard)

N 30, BUILT-IN OVEN, 60 X 60 CM, STAINLESS
STEEL
B3CCCOANOB

Design

- LED Display (Red)
- Elongated designed dials, Retractable control dials, Bevelled oval controls
- Slide&Hide® with fixed handle
- Cavity inner surface: enamel anthracite
- Bar handle
- 4 shelf positions

Features

- Heating up indicator
- Automatic start
- Control panel lock
- Interior halogen light

Cleaning

- Full glass inner door

Programmes/functions

- Oven with 5 main functions heating methods: CircoTherm®, Top/bottom heat, Circo-roasting, Full surface grill, CircoTherm® gentle
- Cooling fan
- Temperature range 50 °C - 275 °C

Accessories

- 2 x combination grid, 1 x universal pan

Performance/technical information

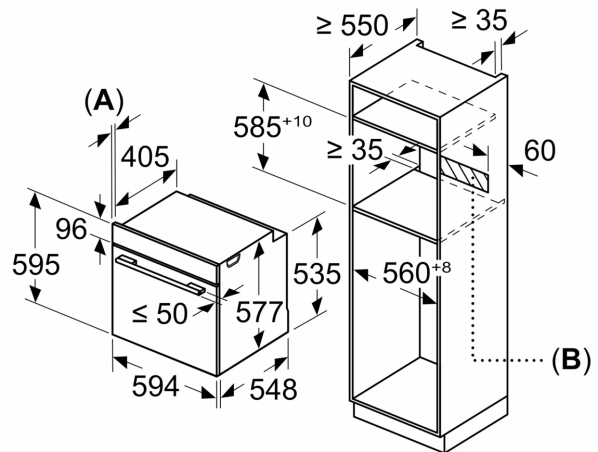
- Cavity volume: 71 litre
- Energy efficiency rating (acc. EU Nr. 65/2014): A
- Energy consumption per cycle in conventional mode: 1.04 kWh
- Energy consumption per cycle in fan-forced convection mode: 0.81 kWh
- Number of cavities: Main cavity Heat source: electrical Cavity volume: 71 litre
- Total connected load electric: 2.99 KW
- 120 cm Cable length
- Nominal voltage: 220 - 240 V
- Appliance dimension (hxwxd): 595 mm x 594 mm x 548 mm
- Niche dimension (hxwxd): 585 mm - 595 mm x 560 mm - 568 mm x 550 mm
- Please refer to the dimensions provided in the installation manual

N 30, BUILT-IN OVEN, 60 X 60 CM, STAINLESS STEEL
B3CCCOANOB

If the appliance will be installed underneath a hob, the following worktop thicknesses (including substructure if necessary) must be taken into account.

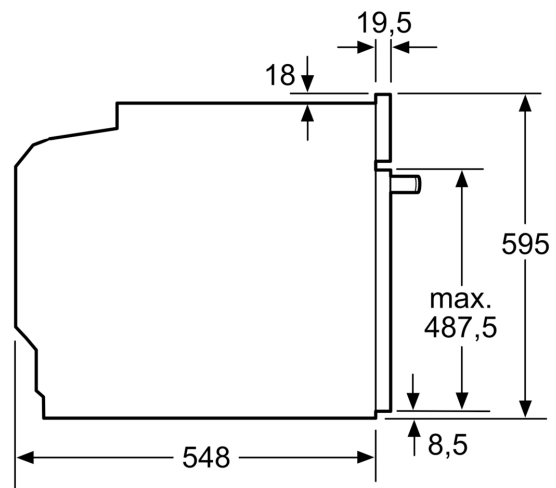
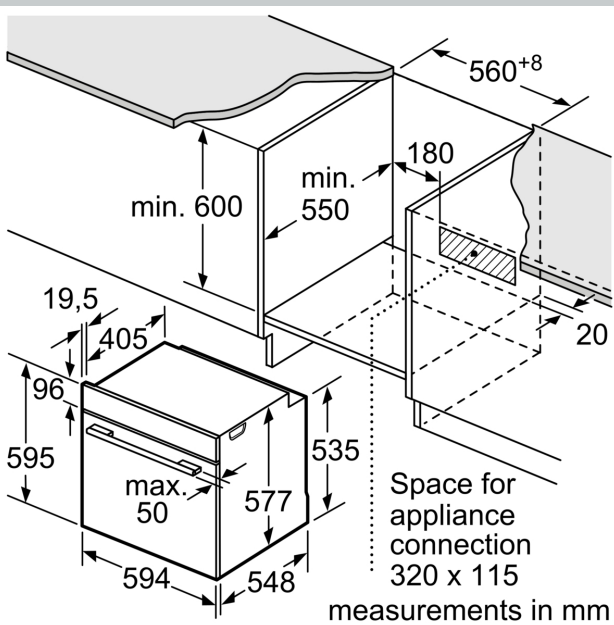
Hob type	min. worktop thickness	
	fitted	flush
Induction hob	37 mm	38 mm
Full surface Induction hob	47 mm	48 mm
Gas hob	30 mm	38 mm
Electric hob	27 mm	30 mm

Measurements in mm

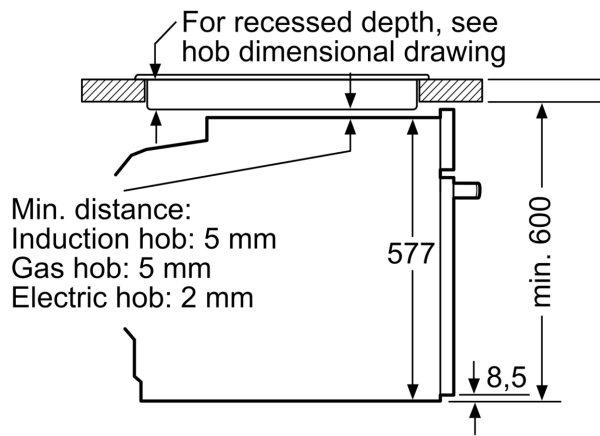


A: 19.5 mm

B: Space for appliance connection 320 x 115 mm



Installation with a hob.



measurements in mm