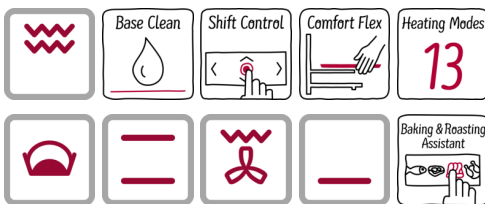


N 90, Built-in oven, Stainless steel
B47CS34NOB



A



Built-in oven with Slide&Hide® - unrestricted access to the oven interior

- ✓ Slide&Hide® - unrestricted access in the oven interior and easy handling due to rotating handle
- ✓ CircoTherm® - our smart hot-air solution for simultaneous baking and roasting on up to four levels
- ✓ Eco Clean with Base Clean - the duo that makes oven cleaning easier
- ✓ Shift Control - fast navigation through menus and simple operation with the TFT display.
- ✓ Baking and Roasting Assistant - your helper in the kitchen for ideal cooking times, temperatures, and modes for many dishes at your fingertips
- ✓ ComfortFlex® - the telescopic rails come out far enough to let you grasp the baking sheet conveniently from the sides.

Features

Technical Data

Color / Material Front : Stainless steel
 Construction type : Built-in
 Integrated Cleaning system : Catalytic all sides, Hydrolytic
 Required niche size for installation (HxWxD) : 585-595 x 560-568 x 550
 Dimensions of the product (mm) : 595 x 596 x 548
 Dimensions of the packed product (HxWxD) (mm) : 675 x 690 x 660
 Control Panel Material : Stainless steel
 Door Material : Glass
 Net weight (kg) : 38.324
 Usable volume of cavity (l) : 71
 Cooking method : Bottom heat, Bread Baking Setting, Conventional heat, Defrost, Dough proving setting, Full width grill, Half width grill, Hot Air-Eco, Hot air grilling, low temperature cooking, Pizza setting
 Oven control : electronic
 Number of interior lights : 1
 Approval certificates : CE, VDE
 Length of electrical supply cord (cm) : 120
 EAN code : 4242004181576
 Number of cavities (2010/30/EC) : 1
 Energy efficiency class (2010/30/EC) : A
 Energy consumption per cycle conventional (2010/30/EC) : 0.90
 Energy consumption per cycle forced air convection (2010/30/EC) : 0.74
 Energy efficiency index (2010/30/EC) : 87.1
 Connection rating (W) : 3450
 Current (A) : 16
 Voltage (V) : 220-240
 Frequency (Hz) : 60; 50
 Plug type : no plug

Optional accessories

Z11AB10A0 : Baking tray, non-stick coated , Z11CG10X0 : Accessory , Z11CR10X0 : Baking and roasting grid (standard) , Z11GT10X3 : Glass roasting dish, 5,4l , Z11GU20X0 : Glasspan , Z11SZ00X0 : SeamlessCombination mounting kit , Z11SZ80X0 : SeamlessCombination 60 + 29cm , Z11SZ90X0 : SeamlessCombination 60 + 45cm , Z11TC10X0 : ComfortFlex Rail (1 level) , Z11TF36X0 : 3 level telescopic rails, full ext , Z12CB10A0 : Baking tray, anthracite enamelled , Z12CM10A0 : Moussaka pan, anthracite enamelled , Z12CP10A0 : Pizza pan, anthracite enamelled , Z12CQ10A0 : Grill tray, anthracite enamelled , Z13CV05S0 : Cover Strip , Z18C60X0 : Cookbook , Z1913X0 : Baking Stone , Z19DD10X0 : Steam set for ovens



4 242004 181576

N 90, Built-in oven, Stainless steel

B47CS34NOB

Features

Design

- 4.1" TFT colour and graphics display with ShiftControl
- Enamel anthracite

Features

- Control panel lock Automatic safety switch off Residual heat indicator Start button Door contact switch
- Temperature proposal Actual temperature display Heating up indicator Sabbath setting
- Baking and roasting assistant
- Interior halogen light, On/off button

Cleaning

- EcoClean Direct : ceiling, back panel, side liners
- EcoClean programme, Base Clean programme

Programmes/functions

- Rapid heat
- Cooling fan

Accessories

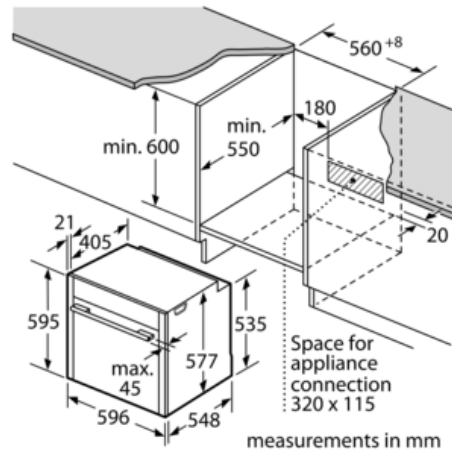
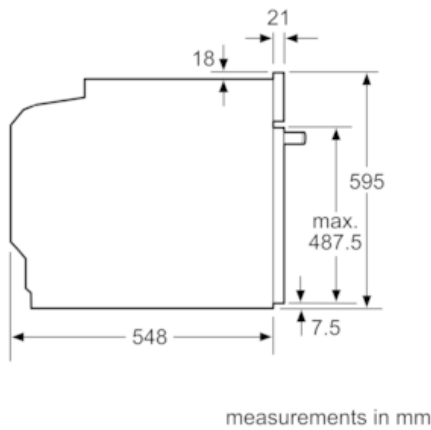
- 1-level flexible telescopic rail, full extension, Stop function
- 1 x universal pan, 2 x combination grid

Performance/technical information

- Energy efficiency rating (acc. EU Nr. 65/2014): A Energy consumption per cycle in conventional mode: 0.9 kWh Energy consumption per cycle in fan-forced convection mode: 0.74 kWh Number of cavities: Main cavity Heat source: electrical Cavity volume: 71 litre
- Total connected load electric: 3.45 KW
- 120 cm Cable length
- Nominal voltage: 220 - 240 V
- Appliance dimension (hxwxh): 595 mm x 596 mm x 548 mm
- Niche dimension (hxwxh): 585 mm - 595 mm x 560 mm - 568 mm x 550 mm
- Please refer to the dimensions provided in the installation manual

N 90, Built-in oven, Stainless steel
B47CS34NOB

Dimensioned drawings



If the appliance will be installed underneath a hob, the following worktop thicknesses (including substructure if necessary) must be taken into account.

Hob type	min. worktop thickness	
	fitted	flush
Induction hob	37 mm	38 mm
Full surface Induction hob	47 mm	48 mm
Gas hob	30 mm	38 mm
Electric hob	27 mm	30 mm

