

N 50, Built-in oven, 60 x 60 cm, Stainless steel  
B4ACM5HN0B



COOKING PASSION SINCE 1877



Built-in oven with Slide&Hide® - unrestricted access to the oven interior

- ✓ Slide&Hide® - unrestricted access in the oven interior and easy handling due to rotating handle
- ✓ Eco Clean with Base Clean - the duo that makes oven cleaning easier
- ✓ LCD-Display - simple, straightforward with large characters for clear reading
- ✓ SinglePoint MeatProbe - ensures meats are cooked perfectly every time
- ✓ Clip-on Rail - easily removed and installed telescopic rails for flexible use on all shelf levels

#### Features

##### Technical Data

Color / Material Front : Stainless steel  
 Construction type : Built-in  
 Integrated Cleaning system : Catalytic all sides, Catalytic all sides, Hydrolytic  
 Required niche size for installation (HxWxD) : 585-595 x 560-568 x 550  
 Dimensions : 595 x 594 x 548  
 Dimensions of the packed product (HxWxD) (mm) : 670 x 700 x 660  
 Control Panel Material : Glass  
 Door Material : Glass  
 Net weight (kg) : 35.758  
 Usable volume of cavity (l) : 71  
 Cooking method : Bottom heat, Bread Baking Setting, Conventional heat, Full width grill, Hot Air, Hotair gentle, Hot air grilling, Pizza setting  
 First cavity material : Other  
 Temperature control : electronic  
 Number of interior lights : 1  
 Approval certificates : CE, VDE  
 Length of electrical supply cord (cm) : 120  
 EAN code : 4242004224341  
 Number of cavities (2010/30/EC) : 1  
 Energy efficiency rating : A  
 Energy consumption per cycle conventional (2010/30/EC) : 1.04  
 Energy consumption per cycle forced air convection (2010/30/EC) : 0.81  
 Energy efficiency index (2010/30/EC) : 95.3  
 Connection rating (W) : 2990  
 Current (A) : 13  
 Voltage (V) : 220-240  
 Frequency (Hz) : 50; 60  
 Plug type : no plug

#### Optional accessories

- Z11AB15A0 Baking tray, non-stick ceramic coated
- Z11CB10E0 Baking tray, grey enamelled
- Z11CR10X0 Baking and roasting grid (standard)
- Z11GT10X3 Glass roasting dish, 5,4l
- Z11TF36X0 3 level telescopic rails, full ext
- Z11TI15X0 Cliprails
- Z1913X0 Baking Stone
- Z19DD10X0 Steam set for ovens



N 50, Built-in oven, 60 x 60 cm, Stainless steel  
B4ACM5HNOB



COOKING PASSION SINCE 1877

## Features

### Design

- LCD-Display Control (white)
- Cavity inner surface: enamel grey
- Elongated designed dials, Retractable control dials, Bevelled oval controls
- Slide&Hide® with rotating handle
- We recommend you to choose complementary products within N50, in order to assure an optimal design combination of your Built-In appliances.

### Features

- Control panel lock  
Automatic safety switch off  
Residual heat indicator
- Single-point meat probe
- Interior halogen light, On/off button
- Electronic clock timer

### Cleaning

- EcoClean Direct : ceiling, back panel, side liners
- EcoClean programme, Base Clean programme
- Full glass inner door

### Programmes/functions

- Oven with 8 cooking functions: 8 cooking functions: heating methods: CircoTherm®, Top/bottom heat, Circo-roasting, Full surface grill, CircoTherm® intensive, Bread baking, Bottom heat, CircoTherm® gentle
- Rapid heat
- Cooling fan

### Accessories

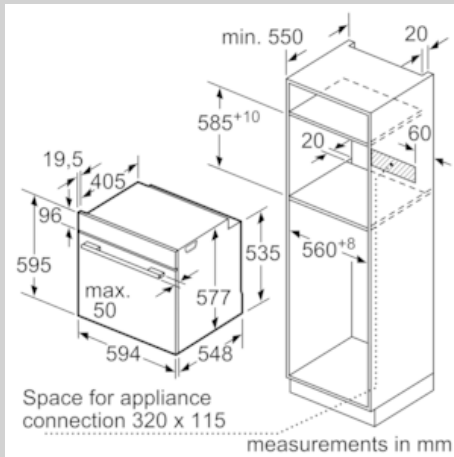
- 1 Clip rail, Stop function
- 1 x enamel baking tray, 1 x combination grid, 2 x universal pan

### Performance/technical information

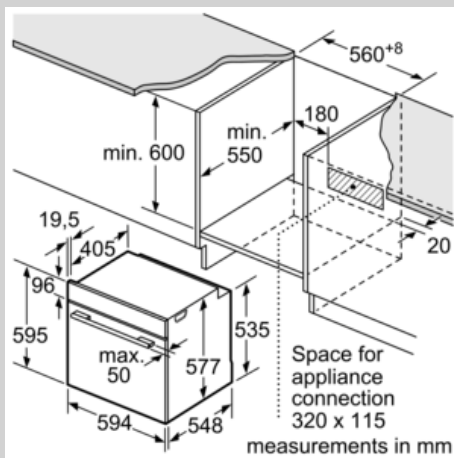
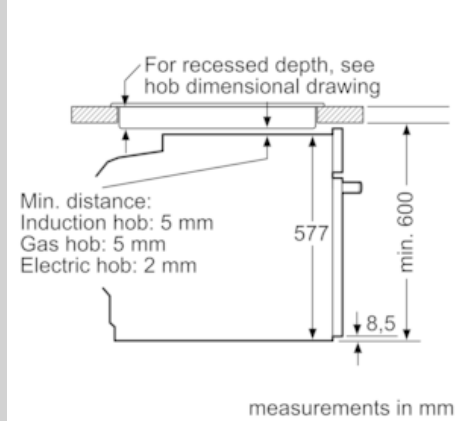
- Energy efficiency rating (acc. EU Nr. 65/2014): A  
Energy consumption per cycle in conventional mode: 1.04 kWh  
Energy consumption per cycle in fan-forced convection mode: 0.81 kWh  
Number of cavities: Main cavity  
Heat source: electrical  
Cavity volume: 71 litre
- Total connected load electric: 2.99 KW
- 120 cm Cable length
- Nominal voltage: 220 - 240 V
- Appliance dimension (hxwxh): 595 mm x 594 mm x 548 mm
- Niche dimension (hxwxh): 585 mm - 595 mm x 560 mm - 568 mm x 550 mm
- Please refer to the dimensions provided in the installation manual

N 50, Built-in oven, 60 x 60 cm, Stainless steel  
B4ACM5HNOB

Dimensioned drawings



Installation with a hob.



If the appliance will be installed underneath a hob, the following worktop thicknesses (including substructure if necessary) must be taken into account.

Hob type	min. worktop thickness	
	fitted	flush
Induction hob	37 mm	38 mm
Full surface Induction hob	47 mm	48 mm
Gas hob	30 mm	38 mm
Electric hob	27 mm	30 mm

