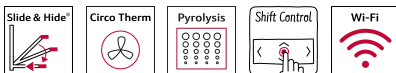


N 90, BUILT-IN OVEN, 60 X 60 CM,
GRAPHITE-GREY
B57CS24G0B



Built-in oven with Slide&Hide® - unrestricted access to the oven interior

- ✓ Slide&Hide® – The fully disappearing oven door with rotating handle.
- ✓ CircoTherm® – Smart hot-air solution that lets you bake on up to four levels.
- ✓ Dual cleaning options: Pyrolytic cleaning programmes - just let the oven interior clean itself. EasyClean - the quick and easy option for day to day maintenance.
- ✓ Shift Control - fast navigation through menus and simple operation with the TFT display.
- ✓ Home Connect – Unleash your creativity via app.

1 x combination grid, 1 x universal pan

Z11AB15A0 Baking tray, non-stick ceramic coated, Z11AU15A0 Universal pan, non-stick ceramic coated, Z11CG10X0 Barbecue-Set, Z11CR10X0 Baking and roasting grid (standard), Z11GT10X3 Glass roasting dish, 5,4l, Z11GU20X0 Glasspan, Z11SZ00X0 SeamlessCombination mounting kit, Z11SZ90G0 SeamlessCombination 60 + 45cm, Z11TC10X0 ComfortFlex Rail (1 level), Z12CB10A0 Baking tray, enamelled, Z12CL10A0 Lid for professional pan, enamelled, Z12CM10A0 Moussaka pan, enamelled, Z12CN10A0 Professional pan, enamelled, Z12CP10A0 Pizza pan, enamelled, Z12CQ10A0 Grill tray, enamelled, Z12CU10A0 Multipurpose pan, enamelled, Z12TF36X0 3 level telescopic rails, full ext.,pyro, Z13CR10X0 Baking and roasting grid (steam), Z13CV05S0 Cover Strip, Z1913X0 Baking Stone, Z19DD10X0 Steam set for ovens

Built-in / Free-standing: Built-in
 Integrated Cleaning system: Pyrolytic+Hydrolytic
 Min. required niche size for installation (HxWxD): 585-595 x 560-568 x 550 mm
 Dimensions: 595x596x548 mm
 Dimensions of the packed product (HxWxD): . 660 x 650 x 690 mm
 Control Panel Material: Glass
 Door Material: Glass
 Net weight: 39.7 kg
 Usable volume of cavity: 71 l
 Cooking method: CircoTherm®, Defrost, Bread Baking Setting, Full width grill, Dough proving setting, Hot Air-Eco, Half width grill, Conventional heat, Conventional heat ECO, Pizza setting, low temperature cooking, Bottom heat, Hot air grilling
 Oven control: electronic
 Number of interior lights: 1
 Length electrical supply cord: 120.0 cm
 EAN code: 4242004255369
 Number of cavities (2010/30/EC): 1
 Energy efficiency rating: A
 Energy consumption per cycle conventional (2010/30/EC): 0.90 kWh/cycle
 Energy consumption per cycle forced air convection (2010/30/EC): 0.74 kWh/cycle
 Energy efficiency index (2010/30/EC): 87.1 %
 Connection Rating: 3450 W
 Fuse protection: 16 A
 Voltage: 220-240 V
 Frequency: 50; 60 Hz
 Plug type: no plug (electrical connection by electrician)
 Included accessories: 1 x combination grid, 1 x universal pan



N 90, BUILT-IN OVEN, 60 X 60 CM,
GRAPHITE-GREY
B57CS24G0B

Design

Built-In appliances.

- Graphite-Grey Edition
- 4.1" TFT colour and graphics display with ShiftControl
- Illuminated Shift Control
- Slide&Hide® with rotating handle
- Cavity inner surface: enamel anthracite
- 4 shelf positions

Features

- HomeConnect ready on WLAN
- Electronic clock timer
- Temperature proposal
- Actual temperature display Heating up indicator
- Door lock during pyrolytic cleaning
- Control panel lock Automatic safety switch off Residual heat indicator Start button Door contact switch
- Baking and roasting assistant
- Rapid heat
- LED light, On/off button

Cleaning

- Pyrolytic cleaning
- EasyClean
- Full glass inner door

Programmes/functions

- Oven with 13 main functions heating methods: CircoTherm®, CircoTherm® Gentle, Top/bottom heat, Conventional heat Gentle, Circo-roasting, Full surface grill, Centre surface grill, CircoTherm® intensive, Bread baking, Bottom heat, Low temperature cooking, Defrost, Dough proving
- Temperature range 40 °C - 200 °C

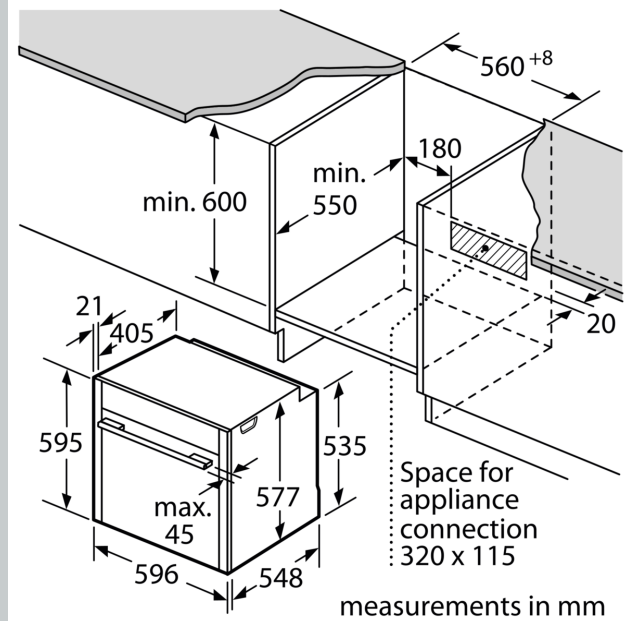
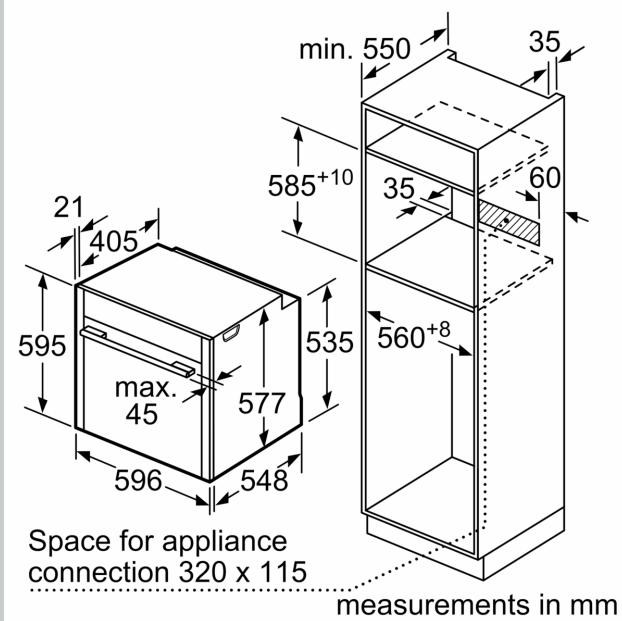
Accessories

- 1-level flexible telescopic rail, full extension, Stop function
- 1 x combination grid, 1 x universal pan

Performance/technical information

- 120 cm Cable length
- Nominal voltage: 220 - 240 V
- Total connected load electric: 3.45 KW
- Energy efficiency rating (acc. EU Nr. 65/2014): A
- Energy consumption per cycle in conventional mode:0.9 kWh
- Energy consumption per cycle in fan-forced convection mode:0.74 kWh
- Number of cavities: Main cavity Heat source: electrical Cavity volume:71 litre
- Appliance dimension (hxwxh): 595 mm x 596 mm x 548 mm
- Niche dimension (hxwxh): 585 mm - 595 mm x 560 mm - 568 mm x 550 mm
- Please refer to the dimensions provided in the installation manual
- We recommend you to choose complementary products within N90, in order to assure an optimal design combination of your

N 90, BUILT-IN OVEN, 60 X 60 CM,
GRAPHITE-GREY
B57CS24G0B



If the appliance will be installed underneath a hob, the following worktop thicknesses (including substructure if necessary) must be taken into account.

Hob type	min. worktop thickness	
	fitted	flush
Induction hob	37 mm	38 mm
Full surface Induction hob	47 mm	48 mm
Gas hob	30 mm	38 mm
Electric hob	27 mm	30 mm