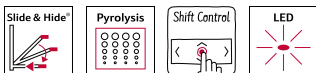


N 90, BUILT-IN OVEN WITH ADDED STEAM  
FUNCTION, 60 X 60 CM, STAINLESS STEEL  
B57VS26N0B



A+



Included accessories

2 x combination grid, 1 x universal pan

Optional accessories

Z11AB15A0 Baking tray, non-stick ceramic coated, Z11AU15A0 Universal pan, non-stick ceramic coated, Z11CG10X0 Barbecue-Set, Z11CR10X0 Baking and roasting grid (standard), Z11GT10X3 Glass roasting dish, 5,4l, Z11GU20X0 Glasspan, Z11SZ00X0 SeamlessCombination mounting kit, Z11SZ80X0 SeamlessCombination 60 + 29cm, Z11SZ90X0 SeamlessCombination 60 + 45cm, Z11TC10X0 ComfortFlex Rail (1 level), Z11TC16X0 ComfortFlex Rail (1 level) and racks, Z12CB10A0 Baking tray, enamelled, Z12CL10A0 Lid for professional pan, enamelled, Z12CM10A0 Moussaka pan, enamelled, Z12CN10A0 Professional pan, enamelled, Z12CP10A0 Pizza pan, enamelled, Z12CQ10A0 Grill tray, enamelled, Z12CU10A0 Multipurpose pan, enamelled, Z12TF16X0 1 level telescopic rails, full ext,pyro, Z12TF36X0 3 level telescopic rails, full ext,pyro, Z13CR10X0 Baking and roasting grid (steam), Z13CV05S0 Cover Strip, Z1913X0 Baking Stone, Z19DD10X0 Steam set for ovens

Built-in oven with VarioSteam® and SLIDE&HIDE® - fuller flavour and unrestricted access to the oven interior

- ✓ Slide&Hide® - unrestricted access in the oven interior and easy handling due to rotating handle
- ✓ Dual cleaning options: Pyrolytic cleaning programmes - just let the oven interior clean itself. EasyClean - the quick and easy option for day to day maintenance.
- ✓ Shift Control - fast navigation through menus and simple operation with the TFT display.
- ✓ Baking and Roasting Assistant with Automatic Programmes - the duo for optimal baking at your command
- ✓ LED lights - Bright illumination exactly where you need it.

Features

Technical Data

Built-in / Free-standing: ..... Built-in  
Integrated Cleaning system: ..... Pyrolytic+Hydrolytic  
Min. required niche size for installation (HxWxD): ..... 585-595 x 560-568 x 550 mm  
Dimensions: ..... 595 x 596 x 548 mm  
Dimensions of the packed product (HxWxD): . 675 x 660 x 690 mm  
Control Panel Material: ..... Glass  
Door Material: ..... Glass  
Net weight: ..... 42.9 kg  
Usable volume of cavity: ..... 71 l  
Cooking method: ..... Reheat with steam, CircoTherm®, Defrost, Bread Baking Setting, Full width grill, Hot Air-Eco, Half width grill, Conventional heat, Conventional heat ECO, Pizza setting, low temperature cooking, Bottom heat, Hot air grilling, warming  
Oven control: ..... electronic  
Number of interior lights: ..... 1  
Length electrical supply cord: ..... 120.0 cm  
EAN code: ..... 4242004183143  
Number of cavities (2010/30/EC): ..... 1  
Energy efficiency rating: ..... A+  
Energy consumption per cycle conventional (2010/30/EC): 0.87 kWh/cycle  
Energy consumption per cycle forced air convection (2010/30/EC): ..... 0.69 kWh/cycle  
Energy efficiency index (2010/30/EC): ..... 81.2 %  
Connection Rating: ..... 3450 W  
Fuse protection: ..... 16 A  
Voltage: ..... 220-240 V  
Frequency: ..... 60; 50 Hz  
Plug type: ..... no plug (electrical connection by electrician)  
Included accessories: ..... 2 x combination grid, 1 x universal pan



*N 90, BUILT-IN OVEN WITH ADDED STEAM  
FUNCTION, 60 X 60 CM, STAINLESS STEEL  
B57VS26N0B*

**Features**

- 4.1" TFT colour and graphics display with ShiftControl
- Water tank empty indicator
- LED light, On/off button
- Slide&Hide® with fixed handle, SoftOpen
- MultiPoint MeatProbe

**Features**

- Additional heating methods with steam: Reheat with steam, Dough proving
- Door lock during pyrolytic cleaning
- Control panel lock
- Automatic safety switch off
- Residual heat indicator
- Start button
- Door contact switch
- Electronic clock timer
- Additional functions:
- De-scaling programme
- Drying function
- steam cooking function
- Number of automatic programmes: 14 PC
- Baking and roasting assistant, Automatic programmes
- Rapid heat
- Cooling fan
- Stainless-steel fan

**Design**

- Cavity inner surface: enamel anthracite

**Cleaning**

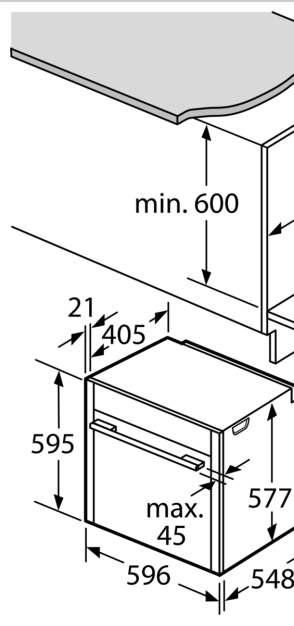
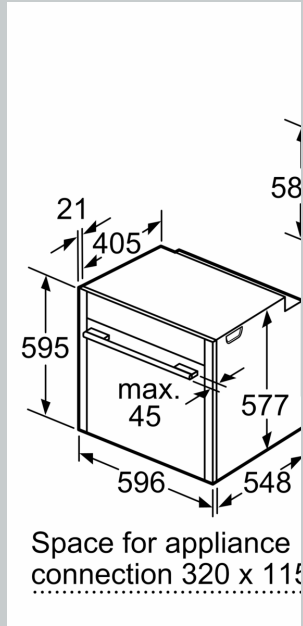
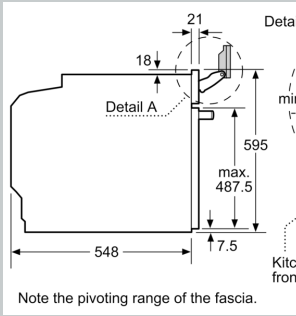
- Pyrolytic cleaning
- EasyClean
- 1 x universal pan, 2 x combination grid

**Technical information**

- Cavity volume: 71 litre
- 1 l Water tank capacity
- Location of water tank: Outside cavity
- 120 cm Cable length
- Total connected load electric: 3.45 KW
- Appliance dimension (hxwxh): 595 mm x 596 mm x 548 mm
- Niche dimension (hxwxh): 585 mm - 595 mm x 560 mm - 568 mm x 550 mm
- Please refer to the dimensions provided in the installation manual

N 90, BUILT-IN OVEN WITH ADDED STEAM FUNCTION, 60 X 60 CM, STAINLESS STEEL B57VS26N0B

Dimensioned drawings



If the appliance will be used as a hob, the following dimensions must be taken into account (including substructure).

| Hob type                   | min. height |
|----------------------------|-------------|
| Induction hob              | 300         |
| Full surface Induction hob | 400         |
| Gas hob                    | 300         |
| Electric hob               | 200         |