

N 50, Built-in oven, 60 x 60 cm, Stainless steel
B5ACM7HN0B



COOKING PASSION SINCE 1877



Built-in oven with Slide&Hide® - unrestricted access to the oven interior

- ✓ Slide&Hide® - unrestricted access in the oven interior and easy handling due to rotating handle
- ✓ Dual cleaning options: Pyrolytic cleaning programmes - just let the oven interior clean itself. EasyClean - the quick and easy option for day to day maintenance.
- ✓ LCD-Display – simple, straightforward with large characters for clear reading
- ✓ SinglePoint MeatProbe - ensures meats are cooked perfectly every time
- ✓ Clip-on Rail - easily removed and installed telescopic rails for flexible use on all shelf levels

Features

Technical Data

Color / Material Front : Stainless steel
 Construction type : Built-in
 Integrated Cleaning system : Hydrolytic, Hydrolytic, Pyrolytic
 Required niche size for installation (HxWxD) : 585-595 x 560-568 x 550
 Dimensions : 595 x 594 x 548
 Dimensions of the packed product (HxWxD) (mm) : 670 x 700 x 660
 Control Panel Material : Glass
 Door Material : Glass
 Net weight (kg) : 40.308
 Usable volume of cavity (l) : 71
 Cooking method : Bottom heat, Bread Baking Setting, Conventional heat, Full width grill, Hot Air, Hotair gentle, Hot air grilling, Pizza setting
 First cavity material : Other
 Temperature control : electronic
 Number of interior lights : 1
 Approval certificates : CE, VDE
 Length of electrical supply cord (cm) : 120
 EAN code : 4242004224235
 Number of cavities (2010/30/EC) : 1
 Energy efficiency rating : A
 Energy consumption per cycle conventional (2010/30/EC) : 1.04
 Energy consumption per cycle forced air convection (2010/30/EC) : 0.81
 Energy efficiency index (2010/30/EC) : 95.3
 Connection rating (W) : 2990
 Current (A) : 13
 Voltage (V) : 220-240
 Frequency (Hz) : 50; 60
 Plug type : no plug

Optional accessories

- Z11AB15A0 Baking tray, non-stick ceramic coated
- Z11CB10E0 Baking tray, grey enamelled
- Z11CR10X0 Baking and roasting grid (standard)
- Z11GT10X3 Glass roasting dish, 5,4l
- Z11TF36X0 3 level telescopic rails, full ext
- Z11TI15X0 Cliprails
- Z13CV05S0 Cover Strip
- Z1913X0 Baking Stone
- Z19DD10X0 Steam set for ovens



N 50, Built-in oven, 60 x 60 cm, Stainless steel
B5ACM7HNOB



COOKING PASSION SINCE 1877

Features

Design

- LCD-Display Control (white)
- Cavity inner surface: enamel grey

Features

- Door lock during pyrolytic cleaning
Control panel lock
Automatic safety switch off
Residual heat indicator
- Temperature proposal
Actual temperature display
Heating up indicator
Automatic start
- Single-point meat probe
- Interior halogen light

Cleaning

- Pyrolytic cleaning
- EasyClean

Programmes/functions

- Rapid heat
- Cooling fan

Accessories

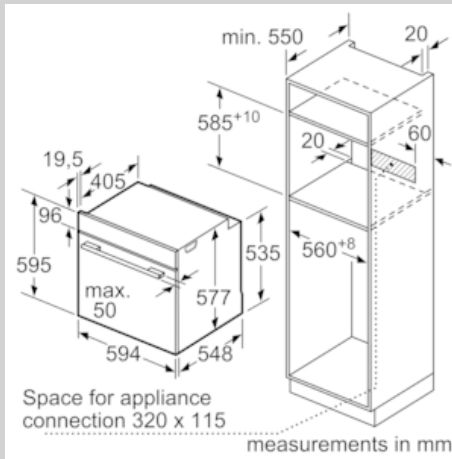
- 1 Clip rail, Stop function
- 2 x combination grid, 1 x universal pan

Performance/technical information

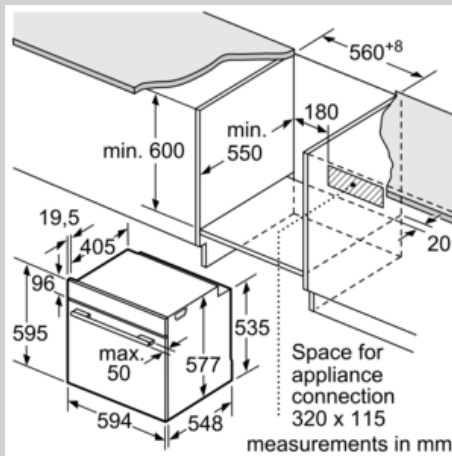
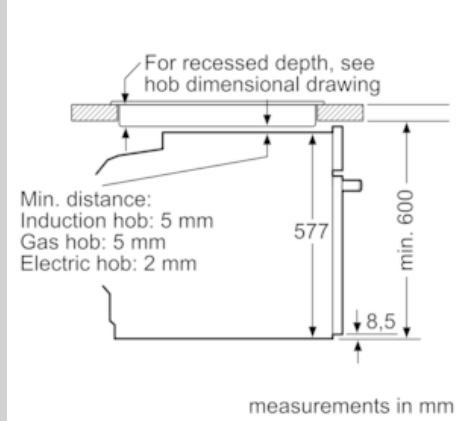
- Energy efficiency rating (acc. EU Nr. 65/2014): A
Energy consumption per cycle in conventional mode: 1.04 kWh
Energy consumption per cycle in fan-forced convection mode:
0.81 kWh
Number of cavities: Main cavity
Heat source: electrical
Cavity volume: 71 litre
- Total connected load electric: 2.99 KW
- 120 cm Cable length
- Nominal voltage: 220 - 240 V
- Appliance dimension (hxwxd): 595 mm x 594 mm x 548 mm
- Niche dimension (hxwxd): 585 mm - 595 mm x 560 mm - 568 mm
x 550 mm
- Please refer to the dimensions provided in the installation manual

N 50, Built-in oven, 60 x 60 cm, Stainless steel
B5ACM7HNOB

Dimensioned drawings



Installation with a hob.



If the appliance will be installed underneath a hob, the following worktop thicknesses (including substructure if necessary) must be taken into account.

Hob type	min. worktop thickness	
	fitted	flush
Induction hob	37 mm	38 mm
Full surface Induction hob	47 mm	48 mm
Gas hob	30 mm	38 mm
Electric hob	27 mm	30 mm

