

N 50, Built-in oven with added steam function, 60 x 60 cm,  
Stainless steel  
B5AVH6AH0B



Built-in oven with Added Steam and Slide&Hide® - a gentle touch is enough to add steam and to have unrestricted access to the oven interior thanks to the fully retracting oven door with rotating handle

- ✓ Slide&Hide® - The fully disappearing oven door with rotating handle.
- ✓ CircoTherm® - Smart hot-air solution that lets you bake on up to three levels at once.
- ✓ LCD-Display - simple, straightforward with large characters for clear reading
- ✓ Home Connect - Unleash your creativity via app.
- ✓ Automatic programmes - Your kitchen helper with just the right default settings.

#### Features

##### Technical Data

Color / Material Front : Stainless steel  
 Construction type : Built-in  
 Integrated Cleaning system : Pyrolytic  
 Min. required niche size for installation (HxWxD) : 585-595 x 560-568 x 550 mm  
 Dimensions : 595 x 594 x 548 mm  
 Dimensions of the packed product (HxWxD) : 660 x 690 x 660 mm  
 Control Panel Material : Glass  
 Door Material : Glass  
 Net weight : 40.2 kg  
 Usable volume of cavity : 71 l  
 First cavity material : Other  
 Oven control : electronic  
 Number of interior lights : 1  
 Length of electrical supply cord : 120 cm  
 EAN code : 4242004243588  
 Number of cavities (2010/30/EC) : 1  
 Energy efficiency rating : A  
 Energy consumption per cycle conventional (2010/30/EC) : 1.04 kWh/cycle  
 Energy consumption per cycle forced air convection (2010/30/EC) : 0.81 kWh/cycle  
 Energy efficiency index (2010/30/EC) : 95.3 %  
 Connection rating : 3600 W  
 Fuse protection : 16 A  
 Voltage : 220-240 V  
 Frequency : 50; 60 Hz  
 Plug type : no plug (electrical connection by electrician)  
 Included accessories : 2 x combination grid, 1 x universal pan

#### Optional accessories

Z11AB15A0	Baking tray, non-stick ceramic coated
Z11CB10E0	Baking tray, grey enamelled
Z11CR10X0	Baking and roasting grid (standard)
Z11TF36X0	3 level telescopic rails, full ext
Z11TI15X0	Cliprails



4 242004 243588

*N 50, Built-in oven with added steam function, 60  
x 60 cm, Stainless steel*  
B5AVH6AH0B

## Features

### Design

- LCD-Display Control (white)
- Cavity inner surface: enamel grey
- 4 shelf positions
- Elongated designed dials, Retractable control dials, Bevelled oval controls
- Slide&Hide® with rotating handle

### Features

- Electronic clock timer
- Automatic programmes
- HomeConnect ready on WLAN
- Door lock during pyrolytic cleaning  
Control panel lock Automatic safety switch off Residual heat indicator Door contact switch
- Temperature proposal  
Actual temperature display Heating up indicator automatic programmes: Automatic start
- Interior halogen light, On/off button
- Water tank capacity with a volume of 220ml
- Location of water tank: Outside cavity

### Cleaning

- Pyrolytic cleaning
- Full glass inner door

### Programmes/functions

- Oven with 8 heating methods: CircoTherm®, Top/bottom heat, Circo-roasting, Full surface grill, CircoTherm® intensive, Bread baking, CircoTherm® gentle, Reheat with steam
- Heating modes in combination with steam function: CircoTherm®, Circo-roasting, Top/bottom heat
- Additional functions:  
De-scaling programme  
steam level high steam level low
- Number of automatic programmes: 15 PC
- Rapid heat
- Cooling fan

### Accessories

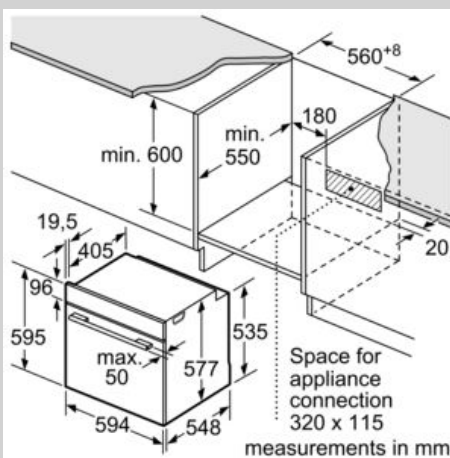
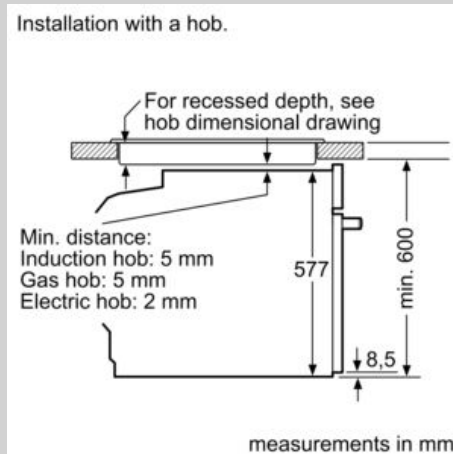
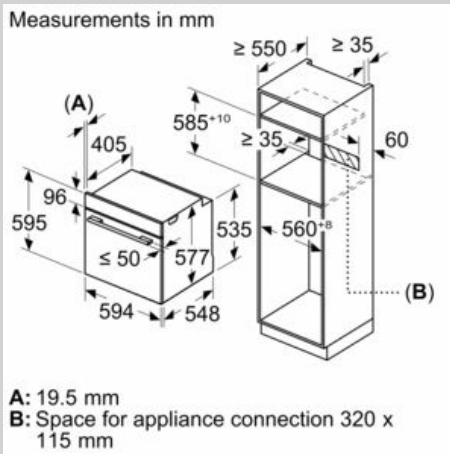
- 2 x combination grid, 1 x universal pan

### Performance/technical information

- Energy efficiency rating (acc. EU Nr. 65/2014): A  
Energy consumption per cycle in conventional mode: 1.04 kWh  
Energy consumption per cycle in fan-forced convection mode: 0.81 kWh  
Number of cavities: Main cavity Heat source: electrical Cavity volume: 71 litre
- Total connected load electric: 3.6 KW
- 120 cm Cable length
- Nominal voltage: 220 - 240 V
- Appliance dimension (hxwxh): 595 mm x 594 mm x 548 mm
- Niche dimension (hxwxh): 585 mm - 595 mm x 560 mm - 568 mm x 550 mm
- Please refer to the dimensions provided in the installation manual

N 50, Built-in oven with added steam function, 60 x 60 cm, Stainless steel  
B5AVH6AH0B

## Dimensioned drawings



If the appliance will be installed underneath a hob, the following worktop thicknesses (including substructure if necessary) must be taken into account.

Hob type	min. worktop thickness	
	fitted	flush
Induction hob	37 mm	38 mm
Full surface Induction hob	47 mm	48 mm
Gas hob	30 mm	38 mm
Electric hob	27 mm	30 mm

