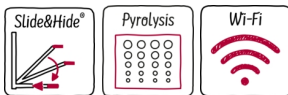


N 50, Built-in oven with added steam function, 60 x 60 cm,
Stainless steel
B5AVM7HH0B



A



Built-in oven with VarioSteam and Slide&Hide® - for enhanced cooking experience with unrestricted access to the oven interior.

- ✓ Slide&Hide® - unrestricted access in the oven interior and easy handling due to rotating handle
- ✓ Dual cleaning options: Pyrolytic cleaning programmes - just let the oven interior clean itself. EasyClean - the quick and easy option for day to day maintenance.
- ✓ LCD-Display – simple, straightforward with large characters for clear reading
- ✓ Home Connect – rediscover your kitchen with our connected home appliances, from wherever you are.
- ✓ Automatic programmes - Your kitchen helper with just the right default settings.

Features

Technical Data

Color / Material Front : Stainless steel
 Construction type : Built-in
 Integrated Cleaning system : Pyrolytic+Hydrolytic
 Min. required niche size for installation (HxWxD) : 585-595 x 560-568 x 550 mm
 Dimensions : 595 x 594 x 548 mm
 Dimensions of the packed product (HxWxD) : 660 x 690 x 660 mm
 Control Panel Material : Glass
 Door Material : Glass
 Net weight : 41.2 kg
 Usable volume of cavity : 71 l
 First cavity material : Other
 Oven control : electronic
 Number of interior lights : 1
 Length of electrical supply cord : 120 cm
 EAN code : 4242004243595
 Number of cavities (2010/30/EC) : 1
 Energy efficiency rating : A
 Energy consumption per cycle conventional (2010/30/EC) : 1.04 kWh/cycle
 Energy consumption per cycle forced air convection (2010/30/EC) : 0.81 kWh/cycle
 Energy efficiency index (2010/30/EC) : 95.3 %
 Connection rating : 3600 W
 Fuse protection : 16 A
 Voltage : 220-240 V
 Frequency : 50; 60 Hz
 Plug type : no plug (electrical connection by electrician)
 Included accessories : 2 x combination grid, 1 x universal pan

Optional accessories

Z11AB15A0 Baking tray, non-stick ceramic coated
 Z11CB10E0 Baking tray, grey enamelled
 Z11CR10X0 Baking and roasting grid (standard)
 Z11TF36X0 3 level telescopic rails, full ext
 Z11TI15X0 Cliprails



4 242004 243595

*N 50, Built-in oven with added steam function, 60
x 60 cm, Stainless steel*
B5AUM7HH0B

Features

Design

- LCD-Display Control (white)
- Cavity inner surface: enamel grey
- 4 shelf positions
- Elongated designed dials, Retractable control dials, Bevelled oval controls
- Slide&Hide® with rotating handle

Features

- HomeConnect ready on WLAN
- Door lock during pyrolytic cleaning
Control panel lock
Automatic safety switch off
Residual heat indicator
Door contact switch
- Temperature proposal
Actual temperature display
Heating up indicator
automatic programmes:
Automatic start
Temperature probe
- Electronic clock timer
- Automatic programmes
- Single-point meat probe
- Interior halogen light, On/off button
- Water tank capacity with a volume of 220ml
- Location of water tank: Outside cavity

Cleaning

- Pyrolytic cleaning
- EasyClean
- Full glass inner door

Programmes/functions

- Oven with 8 heating methods: CircoTherm®, Top/bottom heat, Circo-roasting, Full surface grill, CircoTherm® intensive, Bread baking, CircoTherm® gentle, Reheat with steam
- Heating modes in combination with steam function: CircoTherm®, Circo-roasting, Top/bottom heat
- Additional functions:
De-scaling programme
- Temperature range 30 °C - 275 °C
- Number of automatic programmes: 15 PC
- Rapid heat
- Cooling fan

Accessories

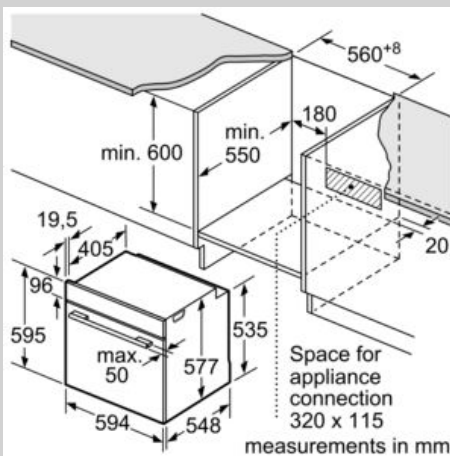
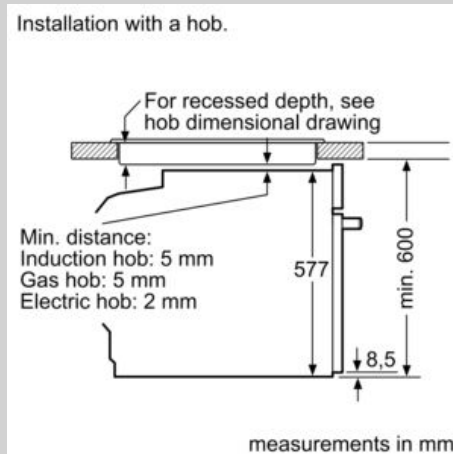
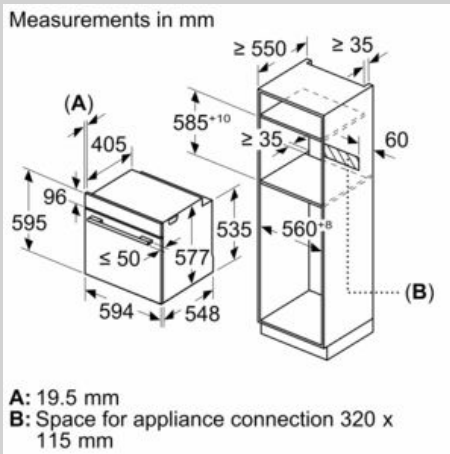
- 1 Clip rail, Stop function
- 2 x combination grid, 1 x universal pan

Performance/technical information

- Energy efficiency rating (acc. EU Nr. 65/2014): A
Energy consumption per cycle in conventional mode: 1.04 kWh
Energy consumption per cycle in fan-forced convection mode: 0.81 kWh
Number of cavities: Main cavity
Heat source: electrical
Cavity volume: 71 litre
- Total connected load electric: 3.6 KW
- 120 cm Cable length
- Nominal voltage: 220 - 240 V
- Appliance dimension (hxwxh): 595 mm x 594 mm x 548 mm
- Niche dimension (hxwxh): 585 mm - 595 mm x 560 mm - 568 mm x 550 mm
- Please refer to the dimensions provided in the installation manual

N 50, Built-in oven with added steam function, 60 x 60 cm, Stainless steel
B5AVM7HHOB

Dimensioned drawings



If the appliance will be installed underneath a hob, the following worktop thicknesses (including substructure if necessary) must be taken into account.

| Hob type | min. worktop thickness | |
|----------------------------|------------------------|-------|
| | fitted | flush |
| Induction hob | 37 mm | 38 mm |
| Full surface Induction hob | 47 mm | 48 mm |
| Gas hob | 30 mm | 38 mm |
| Electric hob | 27 mm | 30 mm |

