

N 90, BUILT-IN OVEN, 60 X 60 CM, FLEX DESIGN
B69CS7MY0B



Flex Design built-in oven with Slide & Hide® - changeable design elements with different colours to choose. Easy to handle door that gently disappears under the oven. Multipoint Meatprobe with forecast function. Home Connect - control your oven via the App.

- ✓ 4.1-inch Full Touch TFT Display: easy, intuitive menu for smart and enjoyable cooking.
- ✓ Flex Design: choose a finishing touch to match your kitchen's aesthetic – and change it up later!
- ✓ Seamless Combination with Flex Design: watch your favourite appliances blend together seamlessly.
- ✓ Slide & Hide®: the easy-to-handle oven door that slides away for unrestricted access.
- ✓ Circo Therm®: the smart solution for simultaneous baking and roasting on up to four levels.

2 x combination grid, 1 x universal pan

Z11AB15A0 Baking tray, non-stick ceramic coated, Z11AU15A0 Universal pan, non-stick ceramic coated, Z11CG10X1 AirFry & Grill Set, Z11CR10X0 Baking and roasting grid (standard), Z11SZ00X1 SC FlexDesign mounting kit, Z12CB10A0 Baking tray, enamelled, Z12CL10A0 Lid for professional pan, enamelled, Z12CM10A0 Moussaka pan, enamelled, Z12CN10A0 Professional pan, enamelled, Z12CP10A0 Pizza pan, enamelled, Z12CU10A0 Multipurpose pan, enamelled, Z1365WX0 Wireless food thermometer, Z13CR10X0 Baking and roasting grid (steam), Z13CV06S0 Decor strip, Z1608CX0 Full ext rails, level independent, pyro, Z1655CA0 Air Fry & Grill tray, Z1913X0 Baking Stone, Z9060AY0 (SC)FlexDesign AG 60 Oven 60, Z9060BY0 (SC)FlexDesign BB 60 Oven 60, Z9060DY0 (SC)FlexDesign DB 60 Oven 60, Z9060MY0 (SC)FlexDesign MS 60 Oven 60, Z9075AY0 SC FlexDesign AG 75 WD 14 + 60, Z9075BY0 SC FlexDesign BB 75 WD 14 + 60, Z9075DY0 SC FlexDesign DB 75 WD 14 + 60, Z9075MY0 SC FlexDesign MS 75 WD 14 + 60, Z9098AY0 SC FlexDesign AG 98 60 + MW 38, Z9098BY0 SC FlexDesign BB 98 60 + MW 38, Z9098DY0 SC FlexDesign DB 98 60 + MW 38, Z9098MY0 SC FlexDesign MS 98 60 + MW 38, Z9105AY0 SC FlexDesign AG 105 60 + 45, Z9105BY0 SC FlexDesign BB 105 60 + 45, Z9105DY0 SC FlexDesign DB 105 60 + 45, Z9105MY0 SC FlexDesign MS 105 60 + 45, Z912AA0 SC FlexDesign AG 120 WD14 + 60 + 45, Z912AB0 SC FlexDesign BB 120 WD14 + 60 + 45, Z912AD0 SC FlexDesign DB 120 WD14 + 60 + 45, Z912AM0 SC FlexDesign MS 120 WD14 + 60 + 45, Z912BA0 SC FlexDesign AG 120 60+60, Z912BB0 SC FlexDesign BB 120 60+60, Z912BD0 SC FlexDesign DB 120 60+60, Z912BM0 SC FlexDesign MS 120 60+60, Z990AA0 SC FlexDesign AG 90 WD 29 + 60, Z990AB0 SC FlexDesign BB 90 WD 29 + 60, Z990AD0 SC FlexDesign DB 90 WD 29 + 60, Z990AM0 SC FlexDesign MS 90 WD 29 + 60

Z11SZ00X1 SC FlexDesign mounting kit, Z9060AY0 (SC)FlexDesign

Built-in / Free-standing: Built-in
 Integrated Cleaning system: Pyrolytic+Hydrolytic
 Min. required niche size for installation (HxWxD):585-595 x 560-568 x 550 mm
 Dimensions: 595x596x548 mm
 Dimensions of the packed product (HxWxD): . 660 x 650 x 690 mm
 Control Panel Material: Glass
 Door Material: Glass
 Net weight: 42.0 kg
 Usable volume of cavity:71 l
 Oven control: electronic
 Number of interior lights: 1
 Length electrical supply cord: 120.0 cm
 EAN code:4242004266273
 Number of cavities (2010/30/EC): 1
 Energy efficiency rating: A+
 Energy consumption per cycle conventional (2010/30/EC): 0.87 kWh/cycle
 Energy consumption per cycle forced air convection (2010/30/EC): 0.69 kWh/cycle
 Energy efficiency index (2010/30/EC):81.2 %
 Connection Rating:3600 W
 Fuse protection:16 A
 Voltage:220-240 V
 Frequency:50; 60 Hz
 Plug type: no plug (electrical connection by electrician)
 Included accessories:2 x combination grid, 1 x universal pan



AG 60 Oven 60, Z9060BY0 (SC)FlexDesign BB 60 Oven 60,
Z9060DY0 (SC)FlexDesign DB 60 Oven 60, Z9060MY0
(SC)FlexDesign MS 60 Oven 60, Z9075AY0 SC FlexDesign AG 75
WD 14 + 60, Z9075BY0 SC FlexDesign BB 75 WD 14 + 60,
Z9075DY0 SC FlexDesign DB 75 WD 14 + 60, Z9075MY0 SC
FlexDesign MS 75 WD 14 + 60, Z9098AY0 SC FlexDesign AG 98 60
+ MW 38, Z9098BY0 SC FlexDesign BB 98 60 + MW 38, Z9098DY0
SC FlexDesign DB 98 60 + MW 38, Z9098MY0 SC FlexDesign MS 98
60 + MW 38, Z9105AY0 SC FlexDesign AG 105 60 + 45, Z9105BY0
SC FlexDesign BB 105 60 + 45, Z9105DY0 SC FlexDesign DB 105
60 + 45, Z9105MY0 SC FlexDesign MS 105 60 + 45, Z912AAY0 SC
FlexDesign AG 120 WD14 + 60 + 45, Z912ABY0 SC FlexDesign BB
120 WD14 + 60 + 45, Z912ADY0 SC FlexDesign DB 120 WD14 +
60 + 45, Z912AMY0 SC FlexDesign MS 120 WD14 + 60 + 45,
Z912BAY0 SC FlexDesign AG 120 60+60, Z912BBY0 SC FlexDesign
BB 120 60+60, Z912BDY0 SC FlexDesign DB 120 60+60,
Z912BMY0 SC FlexDesign MS 120 60+60, Z990AAY0 SC
FlexDesign AG 90 WD 29 + 60, Z990ABY0 SC FlexDesign BB 90
WD 29 + 60, Z990ADY0 SC FlexDesign DB 90 WD 29 + 60,
Z990AMY0 SC FlexDesign MS 90 WD 29 + 60

*N 90, BUILT-IN OVEN, 60 X 60 CM, FLEX DESIGN
B69CS7MY0B*

- Oven with 14 heating methods: CircoTherm®, Top/bottom heat, Circo-roasting, Full surface grill, Centre surface grill, CircoTherm® intensive, Bread baking, Bottom heat, Low temperature cooking, Dough proving, Plate warming, Keep warm, CircoTherm® gentle, Conventional heat gentle

- Niche dimension (hxwx): 585 mm - 595 mm x 560 mm - 568 mm x 550 mm
- Please refer to the dimensions provided in the installation manual

Design

- Flex Design
- Touch control
- Cavity inner surface: enamel anthracite

Features

- HomeConnect ready on WLAN
- Oven Assistant with Voice Control
- Door lock during pyrolytic cleaning
- Control panel lock Automatic safety switch off Residual heat indicator Start button Door contact switch
- Full glass inner door

Programmes/functions

- Temperature range 40 °C - 230 °C
- LED light, On/off button
- Electronic clock timer
- SoftClose, SoftOpen
- Quadruple glazed door glazed CoolTouch door
- 30 °C - Very low door temperature
- Temperature proposal
- Actual temperature display Heating up indicator Temperature probe
- cookControl Plus
- Rapid heat
- Cooling fan
- Stainless-steel fan

Level independent telescopic rails

- 4 shelf positions
- 1 Clip rail, full extension, Stop function, pyrolytic proof

Cleaning

- Pyrolytic cleaning
- EasyClean

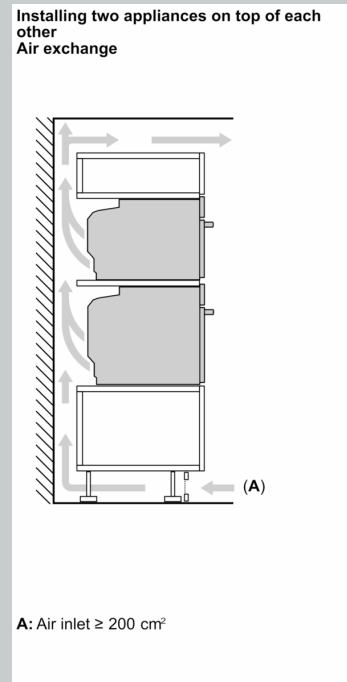
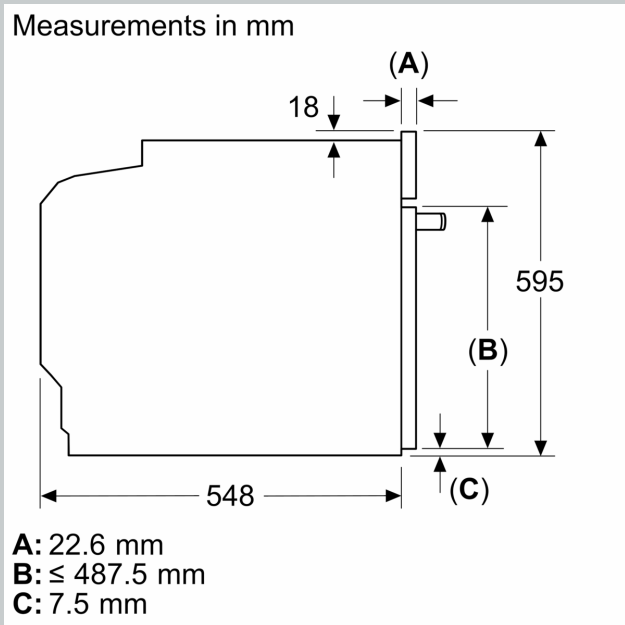
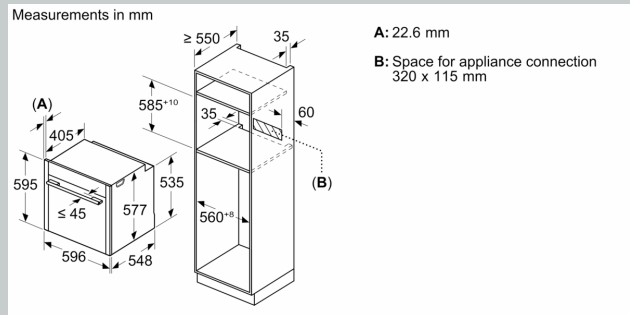
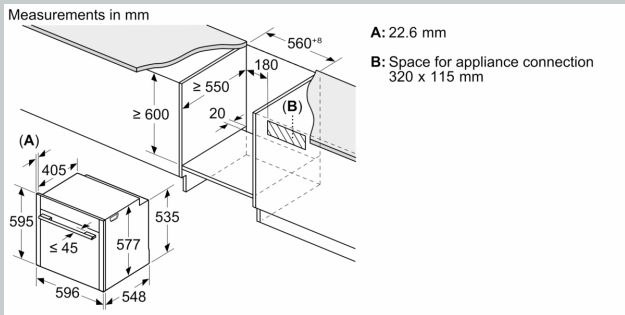
Accessories

- 2 x combination grid, 1 x universal pan

Performance/technical information

- 120 cm Cable length
- Nominal voltage: 220 - 240 V
- Total connected load electric: 3.6 KW
- Energy efficiency rating (acc. EU Nr. 65/2014): A+
- Energy consumption per cycle in conventional mode: 0.87 kWh
- Energy consumption per cycle in fan-forced convection mode: 0.69 kWh
- Number of cavities: Main cavity Heat source: electrical Cavity volume: 71 litre
- Appliance dimension (hxwx): 595 mm x 596 mm x 548 mm

N 90, BUILT-IN OVEN, 60 X 60 CM, FLEX DESIGN
B69CS7MY0B



If the appliance will be installed underneath a hob, the following worktop thicknesses (including substructure if necessary) must be taken into account.

Hob type	min. worktop thickness	
	fitted	flush
Induction hob	37 mm	38 mm
Full surface Induction hob	47 mm	48 mm
Gas hob	30 mm	38 mm
Electric hob	27 mm	30 mm