

N 90, BUILT-IN OVEN WITH STEAM FUNCTION, 60 X 60 CM, FLEX DESIGN B69FS5CY0A



Flex Design built-in oven Intensive Steam with Slide & Hide® - changeable design elements with different colours to choose and Full Touch TFT Display. Easy to handle door that gently disappears under the oven and closes smoothly. Multipoint Meatprobe with forecast function. Home Connect - control your oven via the App.

- ✓ 4.1-inch Full Touch TFT Display: easy, intuitive menu for smart and enjoyable cooking.
- ✓ Flex Design: choose a finishing touch to match your kitchen's aesthetic – and change it up later!
- ✓ Seamless Combination with Flex Design: watch your favourite appliances blend together seamlessly.
- ✓ Slide & Hide®: the easy-to-handle oven door that slides away for unrestricted access.
- ✓ Intensive Steam: healthy steaming keeps your favourite dishes full of flavour and nutrients.

- 1 x grid
- 1 x universal pan
- 1 x steam container size XL
- 1 x sponge punched
- 1 x Steam container unpunched size M
- 1 x Air Fry & Grill tray

Z11AB15A0 Baking tray, non-stick ceramic coated, Z11AU15A0 Universal pan, non-stick ceramic coated, Z11CG10X1 AirFry & Grill Set, Z11CR10X0 Baking and roasting grid (standard), Z11SZ00X1 SC FlexDesign mounting kit, Z12CB10A0 Baking tray, enamelled, Z12CL10A0 Lid for professional pan, enamelled, Z12CM10A0 Moussaka pan, enamelled, Z12CN10A0 Professional pan, enamelled, Z12CP10A0 Pizza pan, enamelled, Z12CU10A0 Multipurpose pan, enamelled, Z912AMY0 SC FlexDesign MS 120 WD14 + 60 + 45, Z912BAY0 SC FlexDesign AG 120 60+60, Z912BBY0 SC FlexDesign BB 120 60+60, Z912BDY0 SC FlexDesign DB 120 60+60, Z912BMY0 SC FlexDesign MS 120 60+60, Z990AAY0 SC FlexDesign AG 90 WD 29 + 60, Z9098BY0 SC FlexDesign BB 98 60 + MW 38, Z9098DY0 SC FlexDesign DB 98 60 + MW 38, Z9098MY0 SC FlexDesign MS 98 60 + MW 38, Z9105AY0 SC FlexDesign AG 105 60 + 45, Z9105BY0 SC FlexDesign BB 105 60 + 45, Z9105DY0 SC FlexDesign DB 105 60 + 45, Z9105MY0 SC FlexDesign MS 105 60 + 45, Z912AAY0 SC FlexDesign AG 120 WD14 + 60 + 45, Z912ABY0 SC FlexDesign BB 120 WD14 + 60 + 45, Z912ADY0 SC FlexDesign DB 120 WD14 + 60 + 45, Z13CV0650 Decor strip, Z1608DX0 Full ext rails, level independent, steam, Z1650DU0 2 steamcontainer(punched/unpunched)sizeM, Z1655CA0 Air Fry & Grill tray, Z9060AY0 (SC)FlexDesign AG 60 Oven 60, Z9060BY0 (SC)FlexDesign BB 60 Oven 60, Z9060DY0 (SC)FlexDesign DB 60 Oven 60, Z9060MY0 (SC)FlexDesign MS 60 Oven 60, Z9075AY0 SC FlexDesign AG 75 WD 14 + 60, Z9075BY0 SC FlexDesign BB 75 WD 14 + 60, Z9075DY0 SC FlexDesign DB 75

Built-in / Free-standing: ..... Built-in  
 Door opening: ..... Drop down  
 Min. required niche size for installation (HxWxD): ..... 585-595 x 560-568 x 550 mm  
 Dimensions: ..... 595 x 596 x 548 mm  
 Dimensions of the packed product (HxWxD): . 670 x 660 x 690 mm  
 Control Panel Material: ..... Glass  
 Door Material: ..... Glass  
 Net weight: ..... 41.2 kg  
 Length electrical supply cord: ..... 120.0 cm  
 EAN code: ..... 4242004266327  
 Fuse protection: ..... 16 A  
 Voltage: ..... 220-240 V  
 Frequency: ..... 50; 60 Hz  
 Plug type: ..... no plug  
 (electrical connection by electrician)  
 Number of cavities (2010/30/EC): ..... 1  
 Usable volume (of cavity) - NEW (2010/30/EC): ..... 71 l  
 Energy efficiency rating: ..... A+  
 Energy consumption per cycle conventional (2010/30/EC): 0.87 kWh/cycle  
 Energy consumption per cycle forced air convection (2010/30/EC): ..... 0.69 kWh/cycle  
 Energy efficiency index (2010/30/EC): ..... 81.2 %  
 Included accessories: ..... 1 x grid, 1 x universal pan, 1 x steam container, punched, size XL, 1 x sponge, 1 x Steam container, punched, size M, 1 x Steam container, unpunched, size M, 1 x Air Fry & Grill tray



WD 14 + 60, Z9075MY0 SC FlexDesign MS 75 WD 14 + 60,  
Z9098AY0 SC FlexDesign AG 98 60 + MW 38, Z990ABY0 SC  
FlexDesign BB 90 WD 29 + 60, Z990ADY0 SC FlexDesign DB 90  
WD 29 + 60, Z990AMY0 SC FlexDesign MS 90 WD 29 + 60,  
Z1365WX0 Wireless food thermometer, Z13CR10X0 Baking and  
roasting grid (steam)

Z11SZ00X1 SC FlexDesign mounting kit, Z9060AY0 (SC)FlexDesign  
AG 60 Oven 60, Z9060BY0 (SC)FlexDesign BB 60 Oven 60,  
Z9060DY0 (SC)FlexDesign DB 60 Oven 60, Z9060MY0  
(SC)FlexDesign MS 60 Oven 60, Z9075AY0 SC FlexDesign AG 75  
WD 14 + 60, Z9075BY0 SC FlexDesign BB 75 WD 14 + 60,  
Z9075DY0 SC FlexDesign DB 75 WD 14 + 60, Z9075MY0 SC  
FlexDesign MS 75 WD 14 + 60, Z9098AY0 SC FlexDesign AG 98 60  
+ MW 38, Z9098BY0 SC FlexDesign BB 98 60 + MW 38, Z9098DY0  
SC FlexDesign DB 98 60 + MW 38, Z9098MY0 SC FlexDesign MS 98  
60 + MW 38, Z9105AY0 SC FlexDesign AG 105 60 + 45, Z9105BY0  
SC FlexDesign BB 105 60 + 45, Z9105DY0 SC FlexDesign DB 105  
60 + 45, Z9105MY0 SC FlexDesign MS 105 60 + 45, Z912AAY0 SC  
FlexDesign AG 120 WD14 + 60 + 45, Z912ABY0 SC FlexDesign BB  
120 WD14 + 60 + 45, Z912ADY0 SC FlexDesign DB 120 WD14 +  
60 + 45, Z912AMY0 SC FlexDesign MS 120 WD14 + 60 + 45,  
Z912BAY0 SC FlexDesign AG 120 60+60, Z912BBY0 SC FlexDesign  
BB 120 60+60, Z912BDY0 SC FlexDesign DB 120 60+60,  
Z912BMY0 SC FlexDesign MS 120 60+60, Z990AAY0 SC  
FlexDesign AG 90 WD 29 + 60, Z990ABY0 SC FlexDesign BB 90  
WD 29 + 60, Z990ADY0 SC FlexDesign DB 90 WD 29 + 60,  
Z990AMY0 SC FlexDesign MS 90 WD 29 + 60

*N 90, BUILT-IN OVEN WITH STEAM FUNCTION, 60  
X 60 CM, FLEX DESIGN  
B69FS5CY0A*

- Combi-steam oven with 24 heating methods: Top/bottom heat, Full surface grill, Centre surface grill, Bread baking, Bottom heat, Low temperature cooking, Plate warming, Keep warm, Conventional heat gentle, Steaming, Reheat with steam, Dough proving, Defrost, Sous-vide cooking, Circo-roasting, Bread Baking Setting, warming, 4D Hot air, Top/bottom heat

#### Design

- Flex Design
- Touch control
- Cavity inner surface: enamel anthracite

#### Features

- HomeConnect ready on WLAN
- Oven Assistant with Voice Control
- Control panel lock
- Automatic safety switch off Residual heat indicator Start button Door contact switch
- Full glass inner door

#### Programmes/functions

- Temperature range 40 °C - 250 °C
- LED light, On/off button
- Electronic clock timer
- Slide&Hide® with rotating handle
- Water tank empty indicator
- Location of water tank: Outside cavity
- SoftClose, SoftOpen
- Heat reflective glass
- Triple glazed door glazed CoolTouch door
- Temperature proposal
- Actual temperature display Heating up indicator Temperature probe
- cookControl Plus
- Rapid heat
- steam boost - add for 3min intensive steam with a touch of a button.
- There are different steam intensities selectable: steam level high, steam level middle, steam level low
- Cooling fan
- Stainless-steel fan

#### Level independent telescopic rails

- 4 shelf positions
- 1 Clip rail, full extension, Stop function

#### Cleaning

- EcoClean Direct: coating of ceiling, back panel, side liners
- EcoClean programme, Base Clean programme

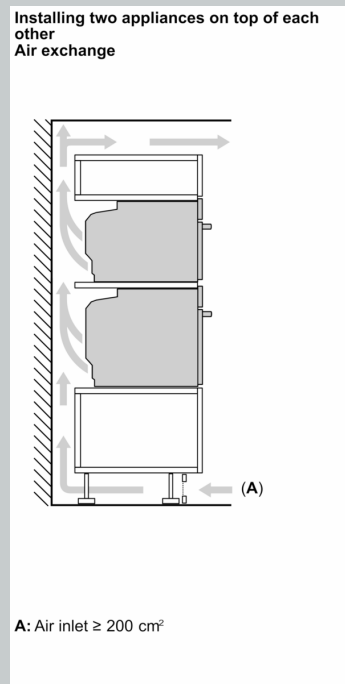
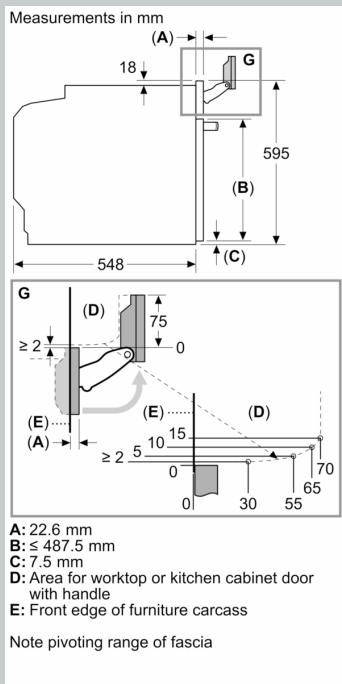
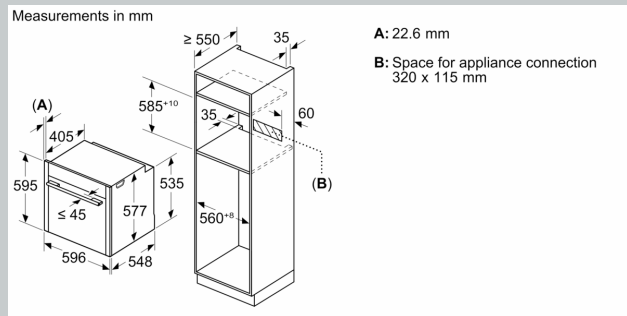
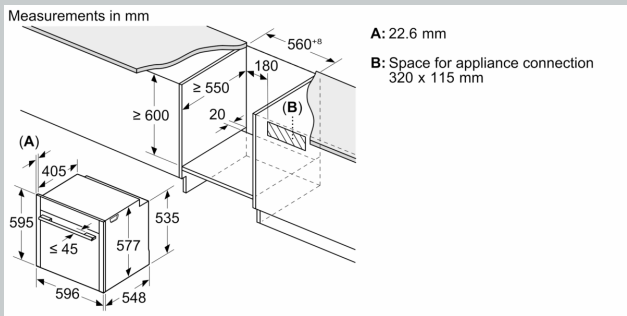
#### Accessories

- 1 x Air Fry & Grill tray, 1 x Steam container, punched, size M, 1 x Steam container, unpunched, size M, 1 x grid, 1 x sponge, 1 x steam container, punched, size XL, 1 x universal pan

#### Performance/technical information

- 120 cm Cable length
- Nominal voltage: 220 - 240 V
- Total connected load electric: 3.6 KW
- Energy efficiency rating (acc. EU Nr. 65/2014): A+
- Energy consumption per cycle in conventional mode:0.87 kWh
- Energy consumption per cycle in fan-forced convection mode:0.69 kWh
- Number of cavities: Main cavity Heat source: electrical Cavity volume:71 litre
- Appliance dimension (hxwx): 595 mm x 596 mm x 548 mm
- Niche dimension (hxwx): 585 mm - 595 mm x 560 mm - 568 mm x 550 mm
- Please refer to the dimensions provided in the installation manual

N 90, BUILT-IN OVEN WITH STEAM FUNCTION, 60 X 60 CM, FLEX DESIGN B69FS5CY0A



If the appliance will be installed underneath a hob, the following worktop thicknesses (including substructure if necessary) must be taken into account.

Hob type	min. worktop thickness	
	fitted	flush
Induction hob	37 mm	38 mm
Full surface Induction hob	47 mm	48 mm
Gas hob	30 mm	38 mm
Electric hob	27 mm	30 mm