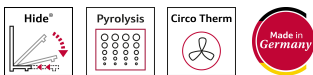


N 50, BUILT-IN OVEN, 60 X 60 CM, STAINLESS
STEEL
B6ACH7AN7B



- ✓ Slide&Hide® – The retractable oven door with fixed handle
- ✓ Home Connect - Control your oven via the App.
- ✓ Dual cleaning options: Pyrolytic cleaning programmes - just let the oven interior clean itself. EasyClean - the quick and easy option for day to day maintenance.
- ✓ LCD-Display – simple, straightforward with large characters for clear reading
- ✓ CircoTherm® – Smart hot-air solution that lets you bake on up to three levels at once.

Features

Technical Data

Built-in / Free-standing: Built-in
 Integrated Cleaning system: No
 Required niche size for installation (HxWxD): 585-595 x 560-568 x 550 mm
 Dimensions: 595x594x548 mm
 Dimensions of the packed product (HxWxD):675x660x690 mm
 Control Panel Material: Glass
 Door Material: Glass
 Net weight: 38.9 kg
 Usable volume of cavity: 71 l
 Cooking method: Bread Baking Setting, Full width grill, Hotair gentle, Hot Air, Conventional heat, Pizza setting, Bottom heat, Hot air grilling
 Length electrical supply cord: 120 cm
 EAN code:4242004281412
 Number of cavities (2010/30/EC): 1
 Energy efficiency rating: A+
 Energy consumption per cycle conventional (2010/30/EC): 0.94 kWh/cycle
 Energy consumption per cycle forced air convection (2010/30/EC): 0.69 kWh/cycle
 Energy efficiency index (2010/30/EC):81.2 %
 Connection Rating: 2990 W
 Fuse protection: 13 A
 Voltage: 220-240 V
 Frequency: 50; 60 Hz
 Plug type: no plug (electrical connection by electrician)
 Included accessories:2 x combination grid, 1 x universal pan



Included accessories

2 x combination grid, 1 x universal pan

Optional accessories

Z11CR10X0	Baking and roasting grid (standard)
Z11TI15X0	Cliprails
Z1365WX0	Wireless food thermometer
Z13CV06S0	Decor strip
Z1608BX0	Full ext rails, level independent
Z1650BE0	Half tray
Z1655CA0	Air Fry & Grill tray
Z166CAX0	SC FlexDesign mounting kit

N 50, BUILT-IN OVEN, 60 X 60 CM, STAINLESS
STEEL
B6ACH7AN7B

Features

Features

- Oven with 8 cooking functions: 8 cooking functions: heating methods: CircoTherm®, Top/bottom heat, Circo-roasting, Full surface grill, CircoTherm® intensive, Bread baking, Bottom heat, CircoTherm® gentle
- Heating methods only via Home Connect App: air fry, let rest, preheating
- Temperature range 30 °C - 275 °C
- Cavity volume: 71 litre

Level independent telescopic rails

- 4 shelf positions
- Available as an accessory

Design

- Elongated designed dials, Retractable control dials, Bevelled oval controls With steel trim
- Cavity inner surface: enamel anthracite

Cleaning

- Pyrolytic cleaning
- EasyClean
- Full glass inner door

Programmes/functions

- LCD-Display Control (white)
- Electronic clock timer
- Temperature proposal
- Actual temperature display
- Heating up indicator
- Automatic start
- Slide&Hide® with fixed handle
- Bar handle
- Rapid heat
- Interior halogen light, On/off button
- Cooling fan
- Stainless-steel fan
- Info button
- HomeConnect ready on WLAN

Accessories

- 2 x combination grid, 1 x universal pan

Features

- 30 °C - Very low door temperature
- Quadruple glazed door glazed CoolTouch door
- Door lock during pyrolytic cleaning
- Control panel lock
- Automatic safety switch off
- Residual heat indicator
- Door contact switch

Technical information

- 120 cm Cable length

- Nominal voltage: 220 - 240 V
- Total connected load electric: 2.99 KW

Performance/technical information

- Appliance dimension (hxwxh): 595 mm x 594 mm x 548 mm
- Niche dimension (hxwxh): 585 mm - 595 mm x 560 mm - 568 mm x 550 mm
- "For-details-on-installation-and-ventilation requirements – please refer to the installation manual prior to fitting."
- We recommend you to choose complementary products within N50, in order to assure an optimal design combination of your Built-In appliances.

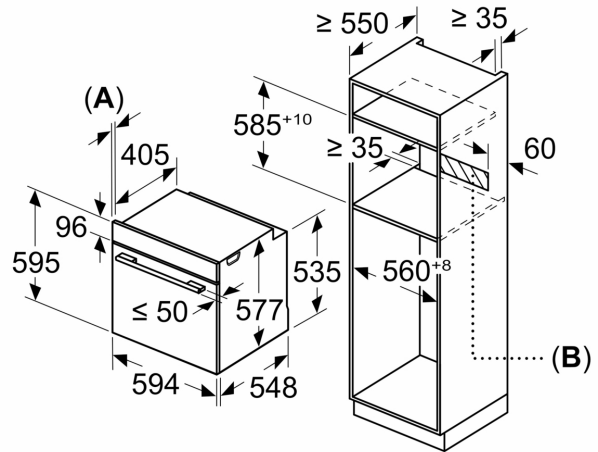
N 50, BUILT-IN OVEN, 60 X 60 CM, STAINLESS STEEL
B6ACH7AN7B

Dimensioned drawings

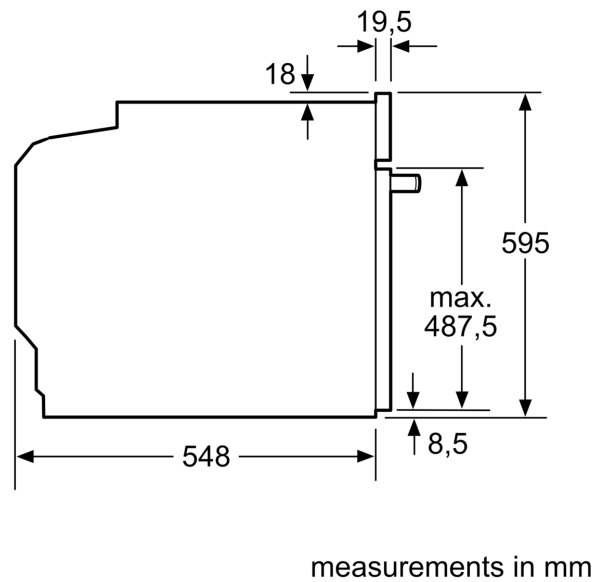
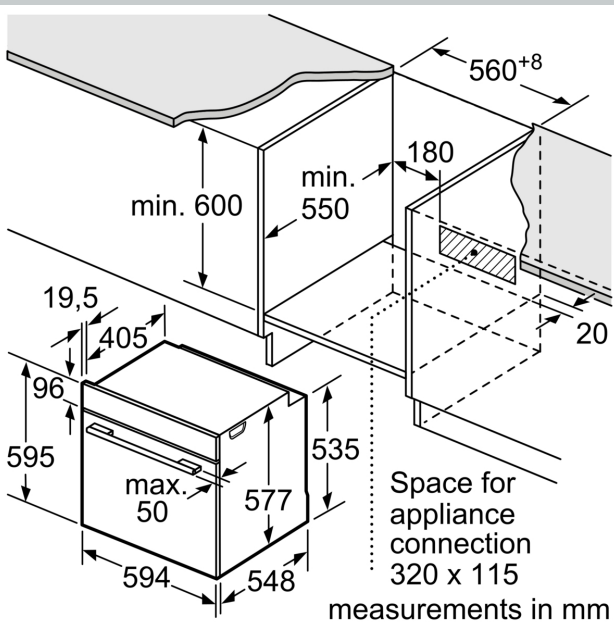
If the appliance will be installed underneath a hob, the following worktop thicknesses (including substructure if necessary) must be taken into account.

Hob type	min. worktop thickness	
	fitted	flush
Induction hob	37 mm	38 mm
Full surface Induction hob	47 mm	48 mm
Gas hob	30 mm	38 mm
Electric hob	27 mm	30 mm

Measurements in mm

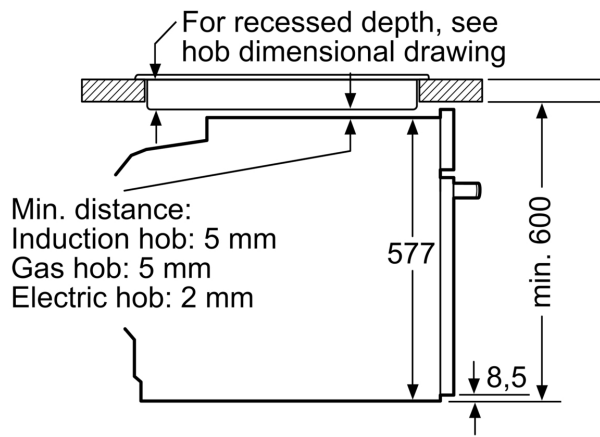


A: 19.5 mm
B: Space for appliance connection 320 x 115 mm



Dimensioned drawings

Installation with a hob.



measurements in mm