

N 30, BUILT-IN OVEN, 60 X 60 CM, STAINLESS STEEL
B6CCG7AN0B



A



Built-in Slide&Hide® oven with fixed handle - unrestricted access to the oven interior thanks to the fully retracting oven door

- ✓ Slide&Hide® – The fully retracting oven door.
- ✓ CircoTherm® – Smart hot-air solution that lets you bake on up to three levels at once.
- ✓ Dual cleaning options: Pyrolytic cleaning programmes - just let the oven interior clean itself. EasyClean - the quick and easy option for day to day maintenance.
- ✓ LED-Display - simple, straightforward for clear reading

Built-in / Free-standing: Built-in
 Integrated Cleaning system: Pyrolytic+Hydrolytic
 Min. required niche size for installation (HxWxD): 585-595 x 560-568 x 550 mm
 Dimensions: 595x594x548 mm
 Dimensions of the packed product (HxWxD): . 660 x 660 x 690 mm
 Control Panel Material:Stainless steel
 Door Material: Glass
 Net weight: 38.7 kg
 Usable volume of cavity: 71 l
 Cooking method: Full width grill, Hotair gentle, Hot Air, Conventional heat, Pizza setting, Bottom heat, Hot air grilling
 Oven control: electronic
 Number of interior lights: 1
 Length electrical supply cord: 120.0 cm
 EAN code:4242004248682
 Number of cavities (2010/30/EC): 1
 Energy efficiency rating: A
 Energy consumption per cycle conventional (2010/30/EC): 1.04 kWh/cycle
 Energy consumption per cycle forced air convection (2010/30/EC): 0.81 kWh/cycle
 Energy efficiency index (2010/30/EC):95.3 %
 Connection Rating: 2990 W
 Fuse protection: 13 A
 Voltage: 220-240 V
 Frequency: 50; 60 Hz
 Plug type: no plug (electrical connection by electrician)
 Included accessories: 2 x combination grid, 1 x universal pan

2 x combination grid, 1 x universal pan

Z11AB15A0 Baking tray, non-stick ceramic coated, Z11AU15A0 Universal pan, non-stick ceramic coated, Z11CR10X0 Baking and roasting grid (standard), Z11GU20X0 Glasspan, Z11TI15X0 Cliprails, Z12CB10A0 Baking tray, enamelled, Z12CL10A0 Lid for professional pan, enamelled, Z12CN10A0 Professional pan, enamelled, Z12CP10A0 Pizza pan, enamelled, Z12CU10A0 Multipurpose pan, enamelled, Z1365WX0 Wireless food thermometer, Z13CR10X0 Baking and roasting grid (steam), Z13CV05S0 Cover Strip, Z1608BX0 Full ext rails, level independent, Z1650BE0 Half tray, Z1655CA0 Air Fry & Grill tray, Z1913X0 Baking Stone, Z19DD10X0 Steam set for ovens



N 30, BUILT-IN OVEN, 60 X 60 CM, STAINLESS
STEEL
B6CCG7ANOB

Design

- LED-display control (red)
- Elongated designed dials, Retractable control dials, Bevelled oval controls
- Slide&Hide® with fixed handle
- Cavity inner surface: enamel anthracite
- 4 shelf positions

Features

- Door lock during pyrolytic cleaning
- Control panel lock Automatic safety switch off
- Actual temperature display
- Heating up indicator Automatic start
- Interior halogen light, On/off button

Cleaning

- Pyrolytic cleaning
- EasyClean
- Full glass inner door

Programmes/functions

- Oven with 7 PC heating methods: CircoTherm®, Top/bottom heat, Circo-roasting, Full surface grill, CircoTherm® intensive, Bottom heat, CircoTherm® gentle
- Manual rapid heating up
- Temperature range 50 °C - 275 °C
- Bar handle
- Cooling fan

Accessories

- 2 x combination grid, 1 x universal pan

Performance/technical information

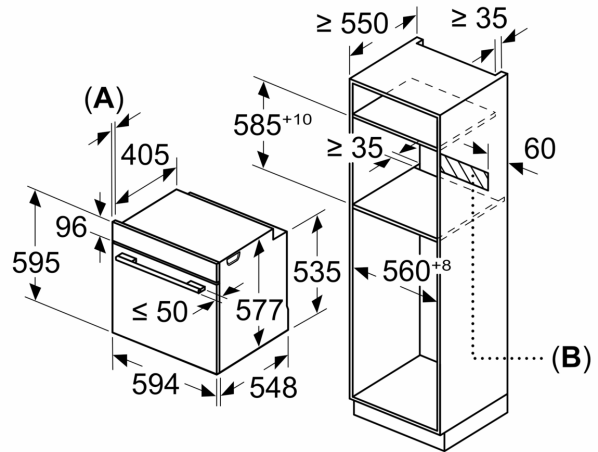
- Energy efficiency rating (acc. EU Nr. 65/2014): A
- Energy consumption per cycle in conventional mode:1.04 kWh
- Energy consumption per cycle in fan-forced convection mode:0.81 kWh
- Number of cavities: Main cavity Heat source: electrical Cavity volume:71 litre
- Cavity volume: 71 litre
- Total connected load electric: 2.99 KW
- 120 cm Cable length
- Nominal voltage: 220 - 240 V
- Appliance dimension (hxwxh): 595 mm x 594 mm x 548 mm
- Niche dimension (hxwxh): 585 mm - 595 mm x 560 mm - 568 mm x 550 mm
- Please refer to the dimensions provided in the installation manual

N 30, BUILT-IN OVEN, 60 X 60 CM, STAINLESS STEEL
B6CCG7ANOB

If the appliance will be installed underneath a hob, the following worktop thicknesses (including substructure if necessary) must be taken into account.

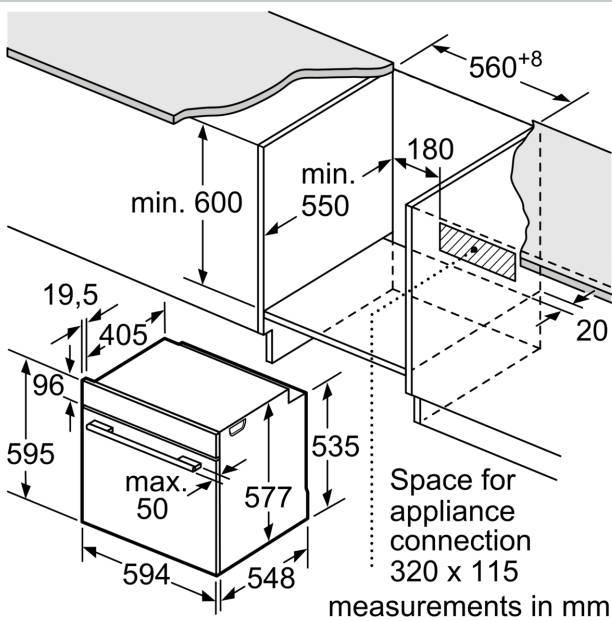
Hob type	min. worktop thickness	
	fitted	flush
Induction hob	37 mm	38 mm
Full surface Induction hob	47 mm	48 mm
Gas hob	30 mm	38 mm
Electric hob	27 mm	30 mm

Measurements in mm

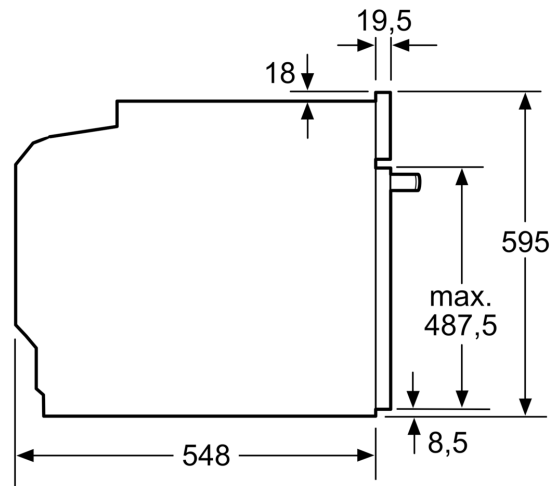


A: 19.5 mm

B: Space for appliance connection 320 x 115 mm

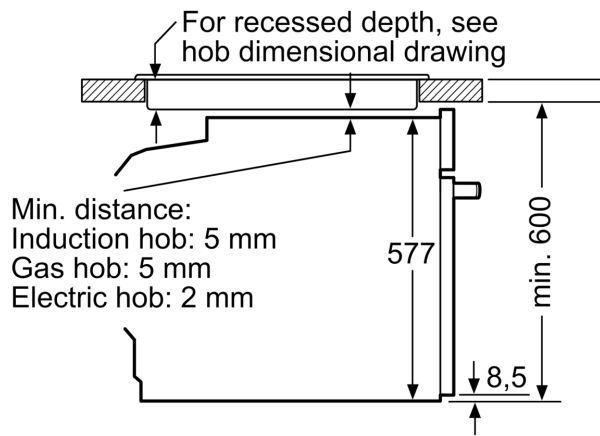


measurements in mm



measurements in mm

Installation with a hob.



measurements in mm