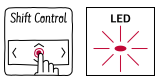
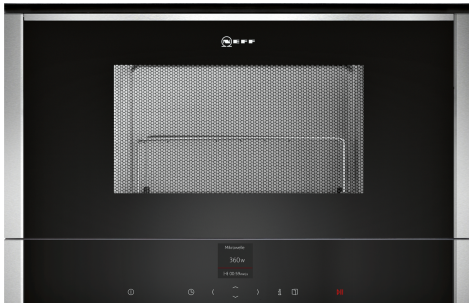


*N 70, BUILT-IN MICROWAVE OVEN, STAINLESS  
STEEL  
C17GR01NOB*



**Included accessories**

1 x grid, 1 x Glass tray

**Optional accessories**

Z18G38X0 Cookbook

**Built-in microwave for upper cabinets**

- ✓ Side-opening hinged door - A smart twist for the elevated installation.
- ✓ Shift Control - fast navigation through menus and simple operation with the TFT display.
- ✓ Automatic programmes - Your kitchen helper with just the right default settings.
- ✓ LED lights - Bright illumination exactly where you need it.

**Features**

**Technical Data**

Type of micro-wave oven: ..... MW+Grill function  
 Type of control: ..... Electronic  
 Dimensions: ..... 382 x 594 x 320 mm  
 Cavity dimensions: ..... 220 x 350 x 270 mm  
 Length electrical supply cord: ..... 150.0 cm  
 Net weight: ..... 18.7 kg  
 Gross weight: ..... 20.9 kg  
 EAN code: ..... 4242004184539  
 Maximum micro-wave power: ..... 900 W  
 Connection Rating: ..... 1990 W  
 Fuse protection: ..... 10 A  
 Voltage: ..... 220-240 V  
 Frequency: ..... 50; 60 Hz  
 Plug type: ..... GB plug  
 Included accessories: ..... 1 x grid, 1 x Glass tray



N 70, BUILT-IN MICROWAVE OVEN, STAINLESS  
STEEL  
C17GR01NOB

## Features

### Design

- Electronic clock timer
- Right hinged door
- stainless steel, Ceramic glass base cavity with Ceramic glass base, stainless steel
- Touch key operation

### Features

- Start button
- Door contact switch
- Intelligent microwave inverter technology: For optimised results maximum output power will be regulated to 600 W when used in longer operation for gentler cooking.
- LED light
- Cooling fan
- Open Button, electronic

### Programmes/functions

- 90-180-360-600-900 Watts and the following options 180 W, 360 W, 600 W, 90 W, 900 W
- 1.3 KW grill function
- Microwave and grill for separate use
- Grill and microwave power levels 90 W, 180 W, 360 W combinable
- Number of automatic programmes: 10 PC

### Accessories

- 1 x Glass tray, 1 x grid

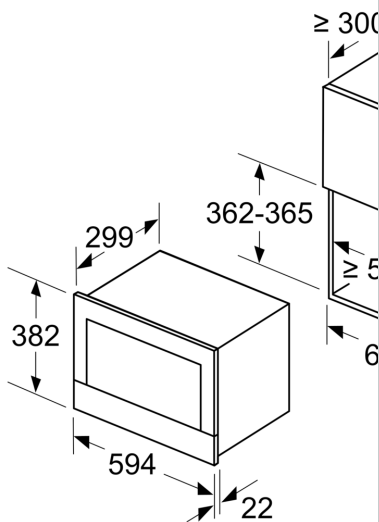
### Performance/technical information

- Cavity volume: 21 l
- Power cord length 150 cm Cable length
- Total connected load electric: 1.99 KW
- Nominal voltage: 220 - 240 V
- Appliance dimension (hxwx): 382 mm x 594 mm x 320 mm
- Niche dimension (hxwx): 362 mm - 382 mm x 560 mm - 568 mm x 300 mm
- Please refer to the dimensions provided in the installation manual

N 70, BUILT-IN MICROWAVE OVEN, STAINLESS  
STEEL  
C17GR01N0B

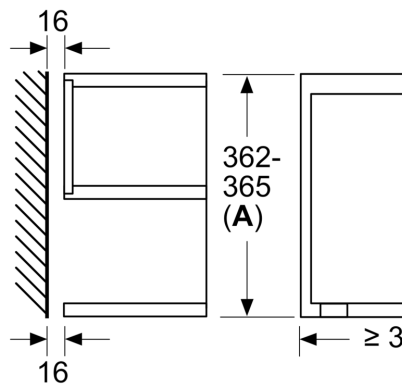
Dimensioned drawings

measurements in mm

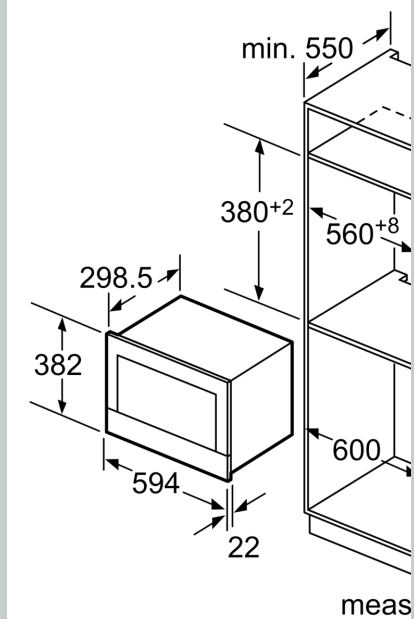


**A:** Back panel open

measurements in mm



**A:** Overhang at top:  
Recess 362: 6 mm  
Recess 365: 3 mm  
**B:** Overhang at bottom: 14 mm



meas