

N 70, BUILT-IN COMPACT OVEN WITH  
MICROWAVE FUNCTION, 60 X 45 CM,  
GRAPHITE-GREY  
C17MR02G0B



Compact built-in oven with integral microwave - even more ways to cook quickly and conveniently in a very small space

- ✓ CircoTherm® – Smart hot-air solution that lets you bake on up to four levels.
- ✓ Combined microwave and oven - the convenient solution to save space and time
- ✓ Shift Control - fast navigation through menus and simple operation with the TFT display.
- ✓ LED lights - Bright illumination exactly where you need it.
- ✓ Soft Close with Soft Opening - the damping system cushions the door for gentle opening and closing

1 x combination grid, 1 x universal pan

Z11AB15A0 Baking tray, non-stick ceramic coated, Z11AU15A0 Universal pan, non-stick ceramic coated, Z11GT10X3 Glass roasting dish, 5,4l, Z11GU20X0 Glasspan, Z11SZ00X0 SeamlessCombination mounting kit, Z11SZ60G0 SeamlessCombination 45 + 14cm, Z11SZ90G0 SeamlessCombination 60 + 45cm, Z12CB10A0 Baking tray, enamelled, Z12CM10A0 Moussaka pan, enamelled, Z12CP10A0 Pizza pan, enamelled, Z12CQ10A0 Grill tray, enamelled, Z12CU10A0 Multipurpose pan, enamelled, Z13CR10X0 Baking and roasting grid (steam), Z13CV05S0 Cover Strip, Z13CV06S0 Decor strip, Z14CR10X0 Baking and roasting grid (microwave), Z1913X0 Baking Stone, Z19DD10X0 Steam set for ovens

Type of micro-wave oven: ..... MW-Combi  
 Type of control: ..... Electronic  
 Dimensions: ..... 455x596x548 mm  
 Cavity dimensions: ..... 237.0 x 480 x 392.0 mm  
 Length electrical supply cord: ..... 150.0 cm  
 Net weight: ..... 34.0 kg  
 Gross weight: ..... 36.3 kg  
 EAN code: ..... 4242004255390  
 Maximum micro-wave power: ..... 900 W  
 Connection Rating: ..... 3600 W  
 Fuse protection: ..... 16 A  
 Voltage: ..... 220-240 V  
 Frequency: ..... 50; 60 Hz  
 Plug type: ..... no plug  
 (electrical connection by electrician)  
 Included accessories: ..... 1 x combination grid, 1 x universal pan



N 70, BUILT-IN COMPACT OVEN WITH  
MICROWAVE FUNCTION, 60 X 45 CM,  
GRAPHITE-GREY  
C17MR02G0B

#### Design

- Graphite-Grey Edition
- 2.5" TFT colour display
- Drop down door, SoftClose, soft opening
- Bar handle
- 3 shelf positions
- Cavity volume: 45 litre
- Cavity inner surface: enamel anthracite

#### Features

- Electronic clock timer
- Control panel lock
- Automatic safety switch off Residual heat indicator Start button Door contact switch
- Temperature proposal
- Actual temperature display Heating up indicator automatic programmes:
- Intelligent microwave inverter technology: For optimised results maximum output power will be regulated to 600 W when used in longer operation for gentler cooking.
- Number of automatic programmes: 14 PC
- Automatic programmes
- Rapid heat
- LED light, On/off button

#### Programmes/functions

- Compact oven with microwave with Multifunction oven with 6 cooking functions: heating methods: CircoTherm®, CircoTherm® Gentle, Circo-roasting, Full surface grill, Centre surface grill, Plate warming
- Additional heating methods with microwave: Microwave, Combi microwave constant
- Max. Power: 900 W; 5 Microwave power settings (90 W, 180 W, 360 W, 600 W, 900 W)
- Temperature range 30 °C - 275 °C

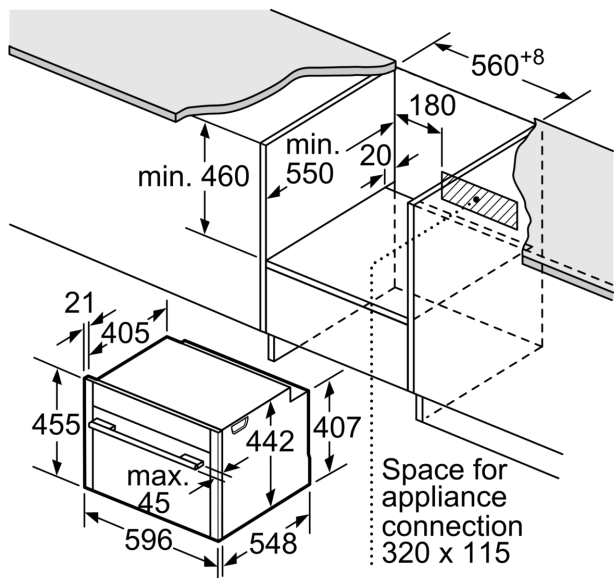
#### Accessories

- 1 x combination grid, 1 x universal pan

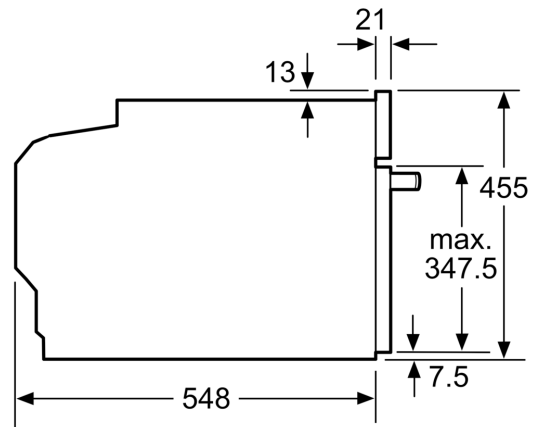
#### Performance/technical information

- Power cord length 150 cm Cable length
- Nominal voltage: 220 - 240 V
- Total connected load electric: 3.6 KW
- Appliance dimension (hxxwx): 455 mm x 596 mm x 548 mm
- Niche dimension (hxxwx): 450 mm - 455 mm x 560 mm - 568 mm x 550 mm
- Please refer to the dimensions provided in the installation manual
- We recommend you to choose complementary products within N70, in order to assure an optimal design combination of your Built-In appliances.

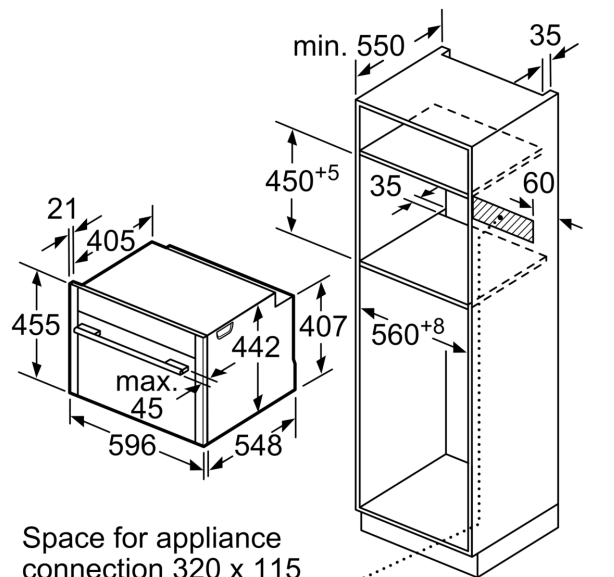
N 70, BUILT-IN COMPACT OVEN WITH  
MICROWAVE FUNCTION, 60 X 45 CM,  
GRAPHITE-GREY  
C17MR02GOB



measurements in mm

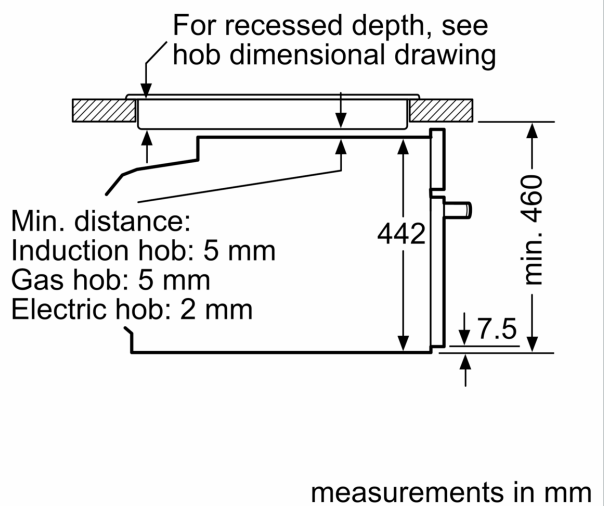


measurements in mm



measurements in mm

Installation with a hob.



measurements in mm

If the compact appliance will be installed underneath a hob, the following worktop thicknesses (including substructure if necessary) must be taken into account.

| Hob type                   | min. worktop thickness |       |
|----------------------------|------------------------|-------|
|                            | fitted                 | flush |
| Induction hob              | 42 mm                  | 43 mm |
| Full surface Induction hob | 52 mm                  | 53 mm |
| Gas hob                    | 32 mm                  | 43 mm |
| Electric hob               | 32 mm                  | 35 mm |