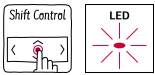


N 70, BUILT-IN MICROWAVE OVEN, STAINLESS
STEEL
C17WR01NOB



Z18W38X0 Cookbook

Built-in microwave for upper cabinets

- ✓ Side-opening hinged door - A smart twist for the elevated installation.
- ✓ Shift Control - fast navigation through menus and simple operation with the TFT display.
- ✓ Automatic programmes - Your kitchen helper with just the right default settings.
- ✓ LED lights - Bright illumination exactly where you need it.

Type of micro-wave oven: MW only
 Type of control: Electronic
 Dimensions: 382 x 594 x 320 mm
 Cavity dimensions: 220 x 350 x 270 mm
 Length electrical supply cord: 150.0 cm
 Net weight: 16.7 kg
 Gross weight: 18.9 kg
 EAN code: 4242004184409
 Maximum micro-wave power: 900 W
 Connection Rating: 1220 W
 Fuse protection: 10 A
 Voltage: 220-240 V
 Frequency: 50; 60 Hz
 Plug type: GB plug



4 242004 184409

N 70, BUILT-IN MICROWAVE OVEN, STAINLESS
STEEL
C17WR01NOB

Design

- Electronic clock timer
- Right hinged door
- stainless steel, Ceramic glass base cavity with Ceramic glass base, stainless steel
- Touch key operation

Features

- Start button
- Door contact switch
- Intelligent microwave inverter technology: For optimised results maximum output power will be regulated to 600 W when used in longer operation for gentler cooking.
- LED light
- Cooling fan
- Open Button, electronic

Programmes/functions

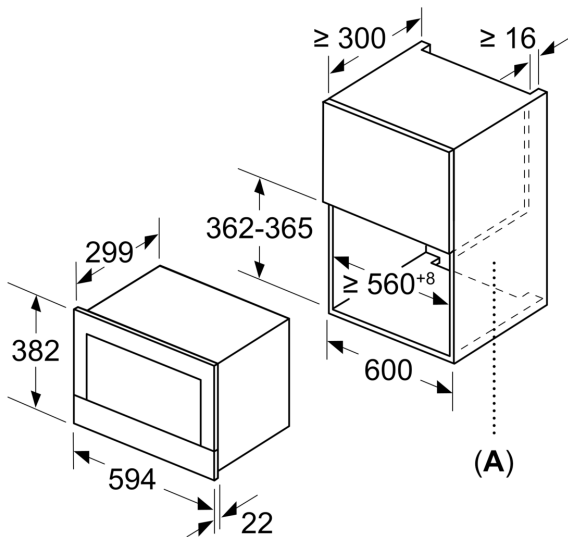
- 90-180-360-600-900 Watts and the following options 180 W, 360 W, 600 W, 90 W, 900 W
- Number of automatic programmes: 7 PC
- 3 defrost and 4 cooking programmes in microwave function

Performance/technical information

- Cavity volume: 21 l
- Power cord length 150 cm Cable length
- Total connected load electric: 1.22 KW
- Nominal voltage: 220 - 240 V
- Appliance dimension (hxwxh): 382 mm x 594 mm x 320 mm
- Niche dimension (hxwxh): 362 mm - 382 mm x 560 mm - 568 mm x 300 mm
- Please refer to the dimensions provided in the installation manual

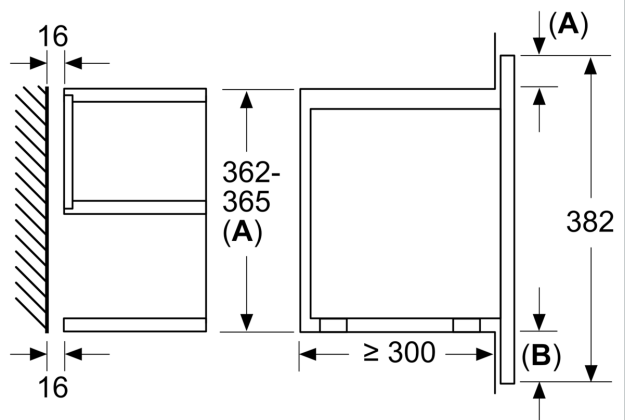
N 70, BUILT-IN MICROWAVE OVEN, STAINLESS
STEEL
C17WR01NOB

measurements in mm

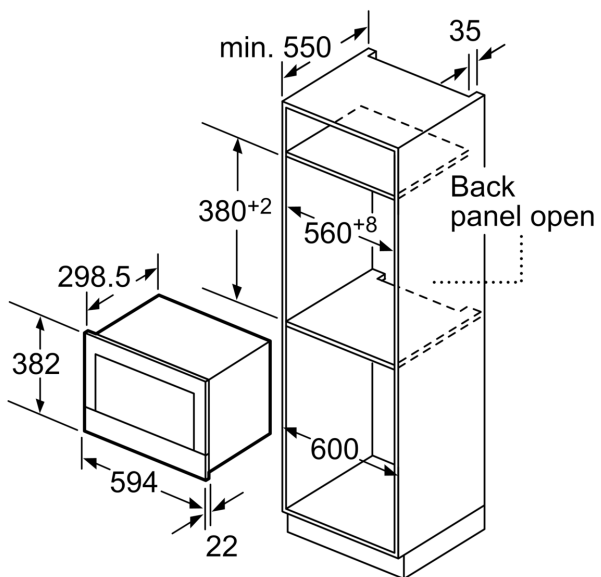


A: Back panel open

measurements in mm



A: Overhang at top:
Recess 362: 6 mm
Recess 365: 3 mm
B: Overhang at bottom: 14 mm



measurements in mm