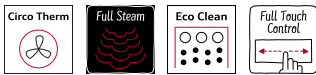


N 90, BUILT-IN COMPACT OVEN WITH STEAM FUNCTION, 60 X 45 CM, STAINLESS STEEL C18FT58N0B



A+



1 x grid, 1 x universal pan, punched, size XL, 1 x steam container, unpunched, size S

Z99RX70X0 Connecting cable 3m, Z13TC10X0 ComfortFlex Rail (1 level) f. steam, Z18F45X0 Cookbook, Z1913X0 Baking Stone, Z19DD10X0 Steam set for ovens, Z13CU31X0 Steam container, punched, size S, Z13CV05S0 Cover Strip, Z13CV06S0 Decor strip, Z11AB10A0 Baking tray, non-stick coated, Z11AU10A0 Universal pan, non-stick coated, Z11GT10X3 Glass roasting dish, 5,4l, Z11GU20X0 Glasspan, Z11SZ00X0 SeamlessCombination mounting kit, Z11SZ60X0 SeamlessCombination 45 + 14cm, Z11SZ90X0 SeamlessCombination 60 + 45cm, Z12CB10A0 Baking tray, enamelled, Z12CM10A0 Moussaka pan, enamelled, Z12CP10A0 Pizza pan, enamelled, Z12CQ10A0 Grill tray, enamelled, Z12CU10A0 Multipurpose pan, enamelled, Z13CR10X0 Baking and roasting grid (steam), Z13CU11X0 Steam container, punched size XL, Z13CU30X0 Steam container, unpunched, size S

Compact built-in oven with FullSteam - combining all heating types and steam cooking in a single oven in a very small space

- ✓ Slide® - the rotating handle that sits comfortably in your hand
- ✓ CircoTherm® - Smart hot-air solution that lets you bake on up to four levels.
- ✓ Full Steam - Your oven is also a fully equipped steamer.
- ✓ Eco Clean with Base Clean - the duo that makes oven cleaning easier
- ✓ Full Touch Control - Simple, precise control by touch on the high-resolution TFT colour display.

Built-in / Free-standing: Built-in
 Door opening: Drop down
 Min. required niche size for installation (HxWxD): 450-455 x 560-568 x 550 mm
 Dimensions: 455 x 596 x 548 mm
 Dimensions of the packed product (HxWxD): . 520 x 650 x 710 mm
 Control Panel Material: Stainless steel
 Door Material: Glass
 Net weight: 36.9 kg
 Length electrical supply cord: 150.0 cm
 EAN code: 4242004182276
 Fuse protection: 16 A
 Voltage: 220-240 V
 Frequency: 60; 50 Hz
 Plug type: no plug (electrical connection by electrician)
 Number of cavities (2010/30/EC): 1
 Usable volume (of cavity) - NEW (2010/30/EC): 47 l
 Energy efficiency rating: A+
 Energy consumption per cycle conventional (2010/30/EC): 0.73 kWh/cycle
 Energy consumption per cycle forced air convection (2010/30/EC): 0.61 kWh/cycle
 Energy efficiency index (2010/30/EC): 81.3 %
 Included accessories: 1 x grid, 1 x universal pan, 1 x steam container, punched, size S, 1 x steam container, punched, size XL, 1 x steam container, unpunched, size S



*N 90, BUILT-IN COMPACT OVEN WITH STEAM
FUNCTION, 60 X 45 CM, STAINLESS STEEL
C18FT58N0B*

Programmes/functions

- Compact steam oven with 13 main functions heating methods: CircoTherm®, CircoTherm® Gentle, Top/bottom heat, Conventional heat Gentle, Circo-roasting, Full surface grill, Centre surface grill, CircoTherm® intensive, Bread baking, Bottom heat, Low temperature cooking, Plate warming, Keep warm
- Temperature range 40 °C - 250 °C
- Additional heating methods with steam: Steaming, Reheat with steam, Dough proving, Defrost
- Rapid heat
- EcoClean programme, Base Clean programme
- 30 automatic programmes:

Special features

- MultiPoint MeatProbe
- Water tank empty indicator
- 1 l Water tank capacity
- 5.7" TFT colour and graphics display with FullTouch control
- Drop down door, SoftClose, soft opening
- EcoClean Direct : ceiling, back panel, side liners
- Temperature proposal
- Actual temperature display Heating up indicator automatic programmes:

Features

- Control panel lock
- Automatic safety switch off Residual heat indicator Start button Door contact switch
- Electronic clock timer
- Info button
- LED light, On/off button
- 3 shelf positions
- Full glass inner door
- Triple glazed door
- Stainless-steel fan
- Cooling fan
- Additional functions:
- De-scaling programme
- Drying function Automatic boiling point detection
- Baking and roasting assistant, Automatic programmes

Design

- Touch control
- Slide&Hide® with rotating handle
- Cavity inner surface: enamel anthracite

Standard accessories

- 1-level flexible telescopic rail, full extension, Stop function

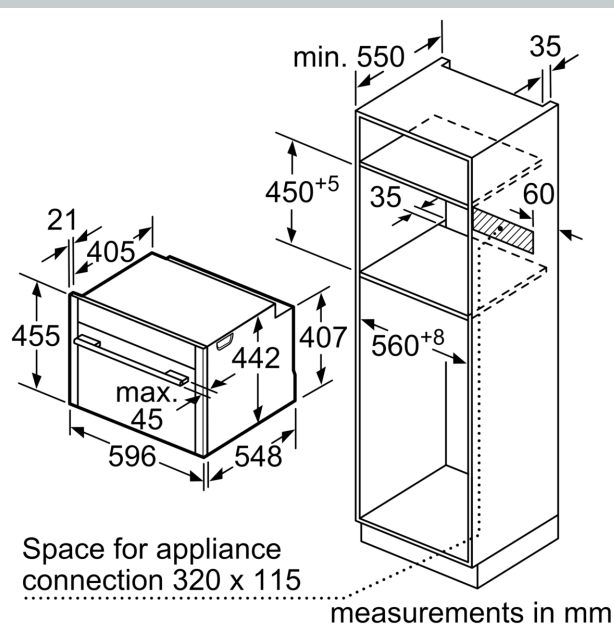
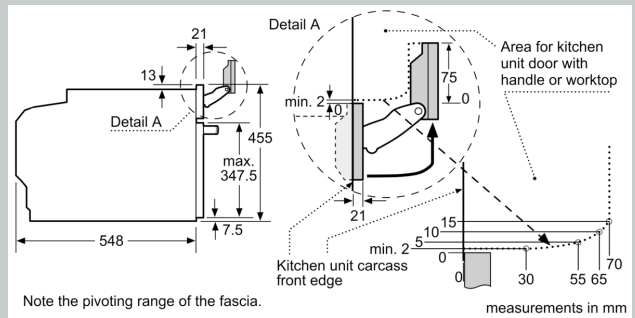
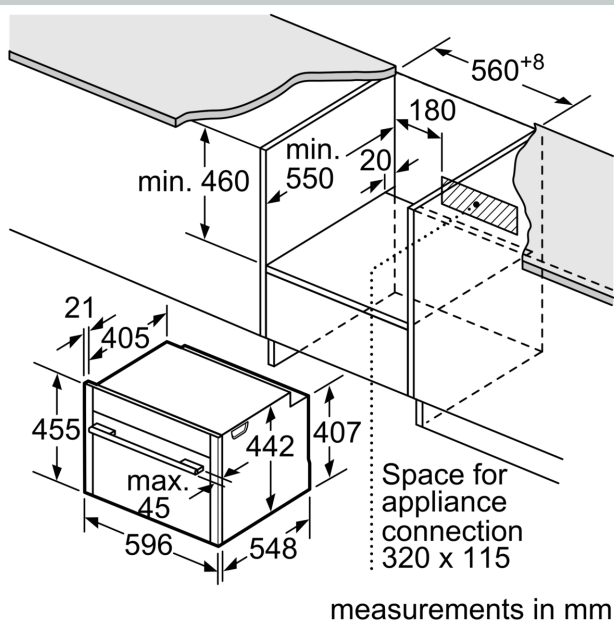
Accessories

- 1 x universal pan, 1 x grid, 1 x steam container, punched, size XL, 1 x steam container, punched, size S, 1 x steam container, unpunched, size S

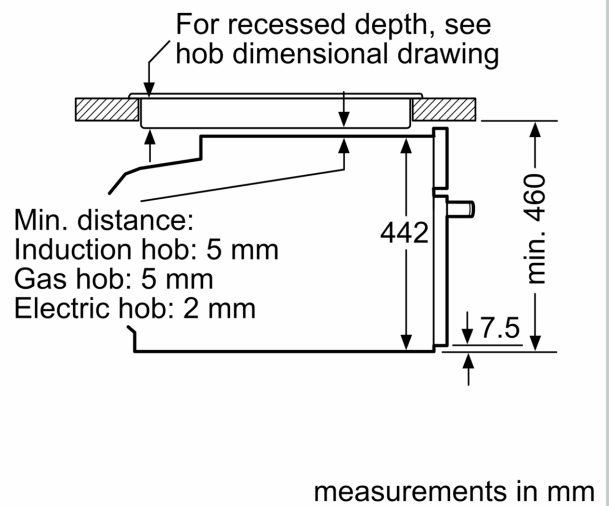
Technical information

- Cavity volume: 47 litre
- Location of water tank: Outside cavity
- Power cord length 150 cm Cable length
- Total connected load electric: 3.3 KW
- Appliance dimension (hxwx): 455 mm x 596 mm x 548 mm
- Niche dimension (hxwx): 450 mm - 455 mm x 560 mm - 568 mm x 550 mm
- Please refer to the dimensions provided in the installation manual
- Energy efficiency rating (acc. EU Nr. 65/2014): A+
- Energy consumption per cycle in conventional mode: 81.3
- Energy consumption per cycle in fan-forced convection mode: 0.61 kwh
- Number of cavities: 1 Cavity volume: 47 litre

*N 90, BUILT-IN COMPACT OVEN WITH STEAM
FUNCTION, 60 X 45 CM, STAINLESS STEEL
C18FT58N0B*



Installation with a hob.



If the compact appliance will be installed underneath a hob, the following worktop thicknesses (including substructure if necessary) must be taken into account.

Hob type	min. worktop thickness	
	fitted	flush
Induction hob	42 mm	43 mm
Full surface Induction hob	52 mm	53 mm
Gas hob	32 mm	43 mm
Electric hob	32 mm	35 mm