

N 50, BUILT-IN MICROWAVE OVEN WITH HOT AIR,
60 X 45 CM, STAINLESS STEEL
C1AMG84N1B



45 cm high built-in combination microwave for defrosting, reheating or preparation of dishes.

- ✓ Microwave - high wattage and low effort for quick meals
- ✓ Hotair - Takes your baking to new levels thanks to our optimal heat distribution.
- ✓ Easy Clean – easy cleaning within a couple of minutes
- ✓ LCD-Display – simple, straightforward with large characters for clear reading
- ✓ Control Dials & One-Touch Buttons – select the right programme using your intuition

Features

Technical Data

Type of micro-wave oven:	MW-Combi
Type of control:	Electronic
Dimensions:	454x594x570 mm
Cavity dimensions:	220 x 420 x 420 mm
Length electrical supply cord:	150 cm
Net weight:	33.6 kg
Gross weight:	39.1 kg
EAN code:	4242004282501
Maximum micro-wave power ¹ :	900 W
Connection Rating:	3350 W
Fuse protection:	16 A
Voltage:	230-240 V
Frequency:	50 Hz
Plug type:	fixed connection (electrical connection by electrician)
Included accessories:	1 x grid



¹ Intelligent inverter technology: maximum output power will be regulated to 600 W when used in longer operation

N 50, BUILT-IN MICROWAVE OVEN WITH HOT AIR,
60 X 45 CM, STAINLESS STEEL
C1AMG84N1B

Features

Features

- Built-in Microwave with hot air function with the heating functions: Microwave, Hot Air, Circo-roasting, Full surface grill, Keep warm
- 90-180-360-600-900 Watts and the following options 180 W, 360 W, 600 W, 90 W, 900 W
- Temperature range 40 °C - 230 °C
- 1.75 KW grill function
- Grill and microwave power levels 90 W, 180 W, 360 W, 600 W combinable
- Microwave may be used separately or in combination
- Cavity volume: 44 l

Design

- stainless steel, Ceramic glass base

Cleaning

Programmes/functions

- LCD display, white
- Electronic clock timer
- Retractable control dials, Touch control, Bevelled oval controls, Start button, Fixed control dials With steel trim
- User-friendly electronics: extremely
- easy and comfortable operation
- Number of automatic programmes: 15 PC
- 4 defrost and 3 cooking programmes in microwave function, 8 programmes for combination function
- Fast preheating
- LED light
- Stainless-steel fan
- Drop down door
- Bar handle
- Touch key operation

Accessories

- 1 x grid

Features

- Automatic safety switch off
- Door contact switch
- Cooling fan

Technical information

- Power cord length 150 cm Cable length
- Total connected load electric: 3.35 KW
- Nominal voltage: 230 - 240 V
- but also suitable for tall housing

Performance/technical information

- Appliance dimension (hxwx): 454 mm x 594 mm x 570 mm
- Niche dimension (hxwx): 450 mm - 458 mm x 560 mm - 568 mm x 550 mm
- We recommend you to choose complementary products within N50, in order to assure an optimal design combination of your

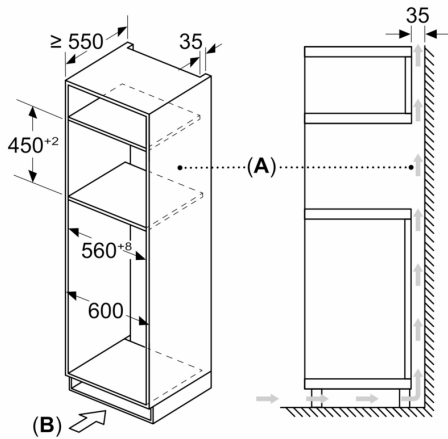
Built-In appliances.

- "For-details-on-installation-and-ventilation requirements – please refer to the installation manual prior to fitting."

N 50, BUILT-IN MICROWAVE OVEN WITH HOT AIR,
60 X 45 CM, STAINLESS STEEL
C1AMG84N1B

Dimensioned drawings

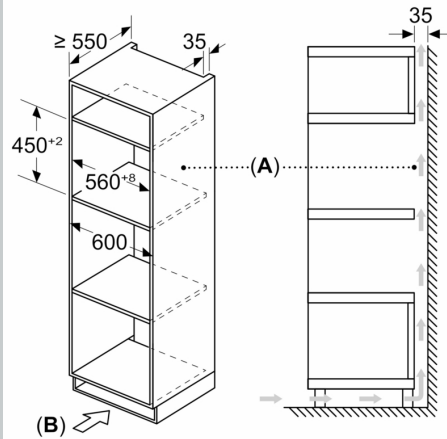
Measurements in mm



A: Back wall open

B: Ventilation space in the plinth $\geq 100 \text{ cm}^2$

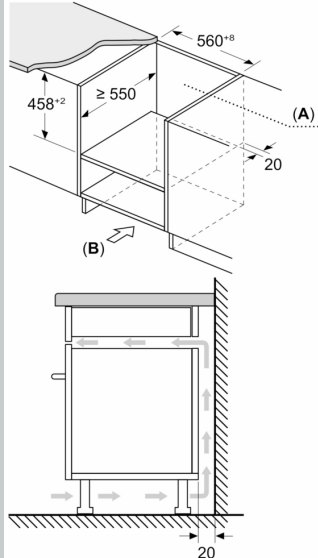
Measurements in mm



A: Back wall open

B: Ventilation space in the plinth $\geq 100 \text{ cm}^2$

Measurements in mm



A: Back wall open

B: Ventilation space in the plinth $\geq 100 \text{ cm}^2$

Measurements in mm

