

N 90, BUILT-IN COMPACT OVEN WITH STEAM FUNCTION, 60 X 45 CM, GRAPHITE-GREY C24FS31GOB



A+

1 x grid, 1 x universal pan, 1 x steam container, size XL, punched, 1 x Steam container, unpunched, size M

Z11AB15A0 Baking tray, non-stick ceramic coated, Z11AU15A0 Universal pan, non-stick ceramic coated, Z11CR10X0 Baking and roasting grid (standard), Z11GU20X0 Glasspan, Z11SZ00X0 SeamlessCombination mounting kit, Z11SZ60G0 SeamlessCombination 45 + 14cm, Z11SZ90G0 SeamlessCombination 60 + 45cm, Z12CB10A0 Baking tray, enamelled, Z12CM10A0 Moussaka pan, enamelled, Z12CP10A0 Pizza pan, enamelled, Z12CU10A0 Multipurpose pan, enamelled, Z1365WX0 Wireless food thermometer, Z13CR10X0 Baking and roasting grid (steam), Z13CV05S0 Cover Strip, Z13CV06S0 Decor strip, Z1608DX0 Full ext rails, level independent, steam, Z1650BE0 Half tray, Z1650DU0 2 steamcontainer(punched/unpunched)sizeM, Z1655CA0 Air Fry & Grill tray

Compact built-in oven with Intensive Steam - quick steaming keeps your favourite dishes full of flavour and nutrients. Home Connect for control via the App.

- ✓ 4.1-inch Full Touch TFT Display: easy, intuitive menu for smart and enjoyable cooking.
- ✓ Intensive Steam: healthy steaming keeps your favourite dishes full of flavour and nutrients.
- ✓ Steam Boost: quickly fills your oven with steam for ultimate flavour and texture.
- ✓ Eco Clean with Easy Clean: the perfect cleaning partnership.
- ✓ Soft Close with Soft Opening - the damping system cushions the door for gentle opening and closing

Built-in / Free-standing: Built-in
 Door opening: Drop down
 Min. required niche size for installation (HxWxD):450-455 x 560-568 x 550 mm
 Dimensions:455 x 596 x 548 mm
 Dimensions of the packed product (HxWxD): . 530 x 660 x 690 mm
 Control Panel Material:Stainless steel
 Door Material: Glass
 Net weight: 35.3 kg
 Length electrical supply cord: 150.0 cm
 EAN code:4242004266440
 Fuse protection: 16 A
 Voltage:220-240 V
 Frequency:50; 60 Hz
 Plug type: no plug (electrical connection by electrician)
 Number of cavities (2010/30/EC): 1
 Usable volume (of cavity) - NEW (2010/30/EC):47 l
 Energy efficiency rating: A+
 Energy consumption per cycle conventional (2010/30/EC): 0.73 kWh/cycle
 Energy consumption per cycle forced air convection (2010/30/EC): 0.61 kWh/cycle
 Energy efficiency index (2010/30/EC):81.3 %
 Included accessories: 1 x grid, 1 x universal pan, 1 x steam container, punched, size XL, 1 x Steam container, punched, size M, 1 x Steam container, unpunched, size M



*N 90, BUILT-IN COMPACT OVEN WITH STEAM
FUNCTION, 60 X 45 CM, GRAPHITE-GREY
C24FS31GOB*

Design

- Graphite-Grey Edition
- Touch control
- Cavity inner surface: enamel anthracite

Features

- Compact steam oven with 22 heating methods: Top/bottom heat, Full surface grill, Centre surface grill, Bread baking, Bottom heat, Low temperature cooking, Plate warming, Keep warm, Conventional heat gentle, Steaming, Reheat with steam, Dough proving, Defrost, Circo-roasting, Bread Baking Setting, warming, 4D Hot air, Top/bottom heat
- HomeConnect ready on WLAN
- Oven Assistant with Voice Control
- Control panel lock
- Automatic safety switch off Residual heat indicator Start button Door contact switch
- Full glass inner door

Programmes/functions

- Temperature range 40 °C - 250 °C
- LED light, On/off button
- Electronic clock timer
- Drop down door, SoftClose, soft opening
- Water tank empty indicator
- Location of water tank: Outside cavity
- soft opening
- Heat reflective glass
- Triple glazed door glazed CoolTouch door
- Temperature proposal
- Actual temperature display Heating up indicator
- cookControl Plus
- Rapid heat
- steam boost - add for 3min intensive steam with a touch of a button.
- There are different steam intensities selectable: steam level high, steam level middle, steam level low
- Cooling fan
- Stainless-steel fan

Level independent telescopic rails

- 3 shelf positions
- Available as an accessory

Cleaning

- EcoClean Direct : back panel
- EasyClean

Accessories

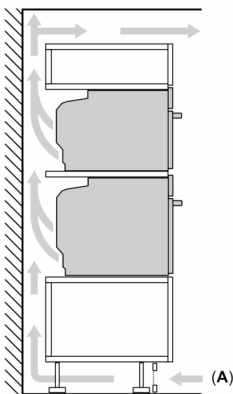
- 1 x Steam container, punched, size M, 1 x steam container, punched, size XL, 1 x Steam container, unpunched, size M, 1 x grid, 1 x universal pan

Performance/technical information

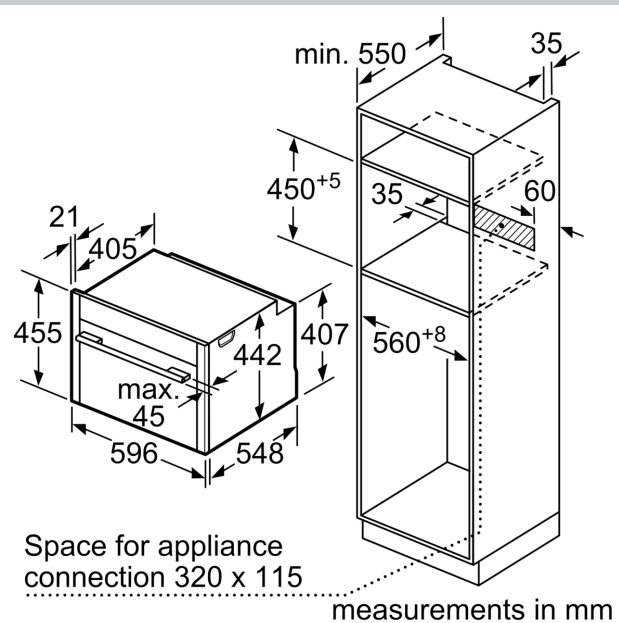
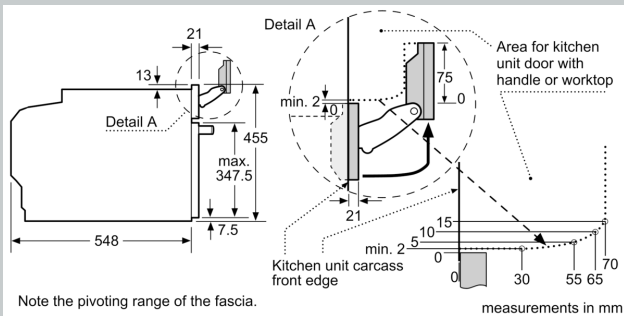
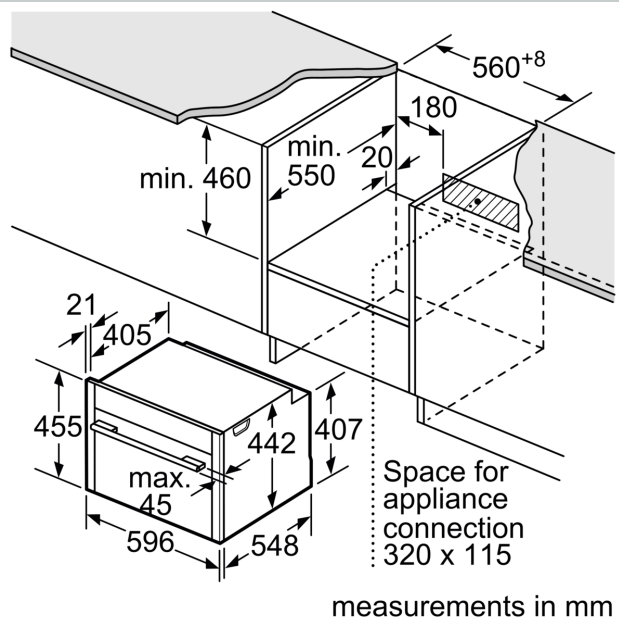
- Power cord length 150 cm Cable length
- Nominal voltage: 220 - 240 V
- Total connected load electric: 3.3 KW
- Energy efficiency rating (acc. EU Nr. 65/2014): A+
- Energy consumption per cycle in conventional mode:0.73 kWh
- Energy consumption per cycle in fan-forced convection mode:0.61 kWh
- Number of cavities: Main cavity Heat source: electrical Cavity volume:47 litre
- Appliance dimension (hxwx): 455 mm x 596 mm x 548 mm
- Niche dimension (hxwx): 450 mm - 455 mm x 560 mm - 568 mm x 550 mm
- Please refer to the dimensions provided in the installation manual

N 90, BUILT-IN COMPACT OVEN WITH STEAM
FUNCTION, 60 X 45 CM, GRAPHITE-GREY
C24FS31GOB

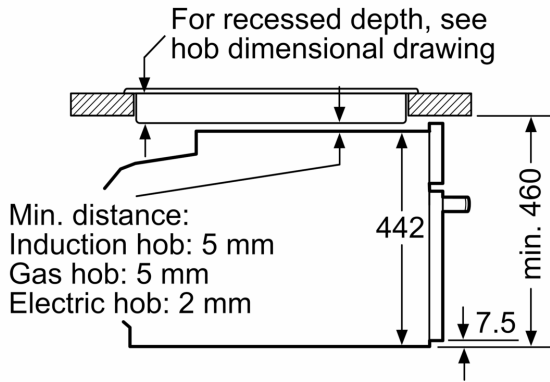
Installing two appliances on top of each other
Air exchange



A: Air inlet $\geq 200 \text{ cm}^2$



Installation with a hob.



measurements in mm

If the compact appliance will be installed underneath a hob, the following worktop thicknesses (including substructure if necessary) must be taken into account.

Hob type	min. worktop thickness	
	fitted	flush
Induction hob	42 mm	43 mm
Full surface Induction hob	52 mm	53 mm
Gas hob	32 mm	43 mm
Electric hob	32 mm	35 mm