

N 90, Built-in compact oven, Stainless steel
C27CS22N0B



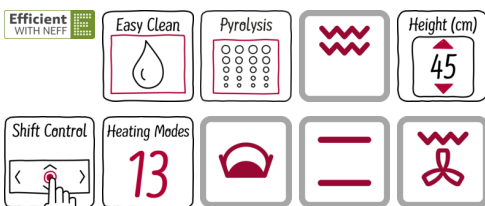
COOKING PASSION SINCE 1877



Compact built-in oven with CircoTherm® - Neff's award-winning hot air system

- ✓ CircoTherm® - our smart hot-air solution for simultaneous baking and roasting on up to four levels
- ✓ Dual cleaning options: Pyrolytic cleaning programmes - just let the oven interior clean itself. EasyClean - the quick and easy option for day to day maintenance.
- ✓ Shift Control - fast navigation through menus and simple operation with the TFT display.
- ✓ Baking and Roasting Assistant - your helper in the kitchen for ideal cooking times, temperatures, and modes for many dishes at your fingertips

A+



Features

Technical Data

Color / Material Front : Stainless steel
 Construction type : Built-in
 Integrated Cleaning system : Hydrolytic, Pyrolytic
 Required niche size for installation (HxWxD) : 450-455 x 560-568 x 550
 Dimensions of the product (mm) : 455 x 596 x 548
 Dimensions of the packed product (HxWxD) (mm) : 520 x 710 x 650
 Control Panel Material : Stainless steel
 Door Material : Glass
 Net weight (kg) : 31.056
 Usable volume of cavity (l) : 47
 Cooking method : Bottom heat, Bread Baking Setting, Conventional heat, Defrost, Dough proving setting, Full width grill, Half width grill, Hot Air-Eco, Hot air grilling, low temperature cooking, Pizza setting
 Oven control : electronic
 Number of interior lights : 1
 Approval certificates : CE, VDE
 Length of electrical supply cord (cm) : 150
 EAN code : 4242004183129
 Number of cavities (2010/30/EC) : 1
 Energy efficiency class (2010/30/EC) : A+
 Energy consumption per cycle conventional (2010/30/EC) : 0.73
 Energy consumption per cycle forced air convection (2010/30/EC) : 0.61
 Energy efficiency index (2010/30/EC) : 81.3
 Connection rating (W) : 2990
 Current (A) : 13
 Voltage (V) : 220-240
 Frequency (Hz) : 60; 50
 Plug type : no plug

Optional accessories

Z11CR10X0 : Baking and roasting grid (standard) ,
 Z11GT10X3 : Glass roasting dish, 5,4l , Z11GU20X0 :
 Glasspan , Z11SZ00X0 : SeamlessCombination mounting kit ,
 Z11SZ60X0 : SeamlessCombination 45 + 14cm , Z11SZ90X0 :
 SeamlessCombination 60 + 45cm , Z11TC10X0 : ComfortFlex Rail
 (1 level) , Z11TC14X0 : ComfortFlex Rail (1level) & racks, 45cm ,
 Z12CB10A0 : Baking tray, anthracite enamelled , Z12CM10A0 :
 Moussaka pan, anthracite enamelled , Z12CP10A0 : Pizza pan,
 anthracite enamelled , Z12CQ10A0 : Grill tray, anthracite enamelled ,
 Z13CV05S0 : Cover Strip , Z13CV06S0 : Decor strip , Z18C60X0 :
 Cookbook , Z1913X0 : Baking Stone , Z19DD10X0 : Steam set for
 ovens



N 90, Built-in compact oven, Stainless steel

C27CS22NOB

Features

Design

- 4.1" TFT colour and graphics display with ShiftControl
- Illuminated Shift Control
- Electronic clock timer
- Drop down door, SoftClose, soft opening
- Bar handle
- Enamel anthracite

Features

- Control panel lock Automatic safety switch off Residual heat indicator Start button Door contact switch
- Temperature proposal Actual temperature display Heating up indicator Sabbath setting
- Baking and roasting assistant
- Interior halogen light, On/off button
- On/off button
- 3 shelf positions
- Cooling fan

Cleaning

- Pyrolytic cleaning
- EasyClean
- Full glass inner door

Programmes/functions

- Compact oven with 13 main functions heating methods: CircoTherm®, CircoTherm® Gentle, Top/bottom heat, Conventional heat Gentle, Circo-roasting, Full surface grill, Centre surface grill, CircoTherm® intensive, Bread baking, Bottom heat, Low temperature cooking, Defrost, Dough proving

Standard accessories

- 1 x universal pan, 1 x combination grid

Technical information

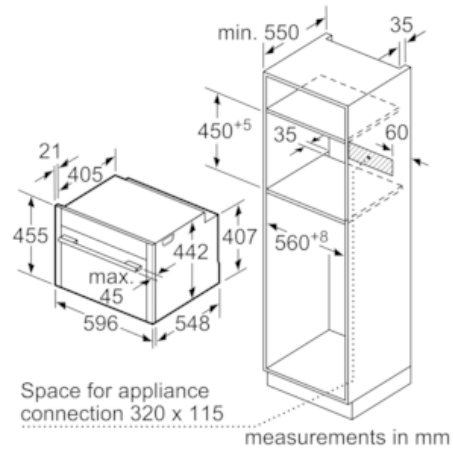
- Energy efficiency rating (acc. EU Nr. 65/2014): A+ Energy consumption per cycle in conventional mode: 81.3 Energy consumption per cycle in fan-forced convection mode: 0.61 kwh Number of cavities: 1 Cavity volume: 47 litre
- Temperature range 40 °C - 200 °C
- Power cord length 150 cm Cable length
- Total connected load electric: 2.99 KW
- Nominal voltage: 220 - 240 V
- Appliance dimension (hxwxh): 455 mm x 596 mm x 548 mm
- Niche dimension (hxwxh): 450 mm - 455 mm x 560 mm - 568 mm x 550 mm
- Please refer to the dimensions provided in the installation manual

N 90, Built-in compact oven, Stainless steel
C27CS22N0B

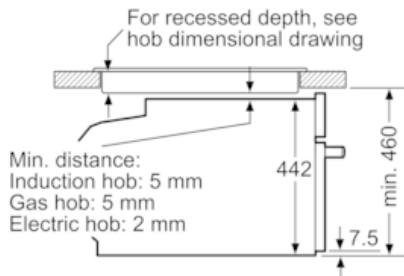
Dimensioned drawings

If the compact appliance will be installed underneath a hob, the following worktop thicknesses (including substructure if necessary) must be taken into account.

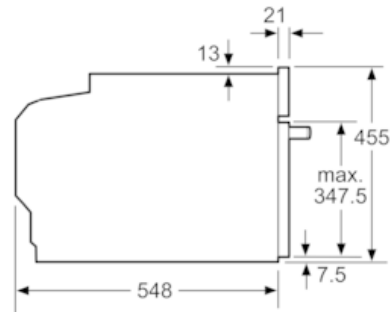
Hob type	min. worktop thickness	
	fitted	flush
Induction hob	42 mm	43 mm
Full surface Induction hob	52 mm	53 mm
Gas hob	32 mm	43 mm
Electric hob	32 mm	35 mm



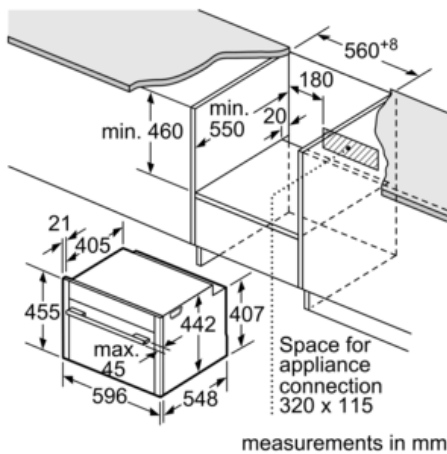
Installation with a hob.



measurements in mm



measurements in mm



measurements in mm