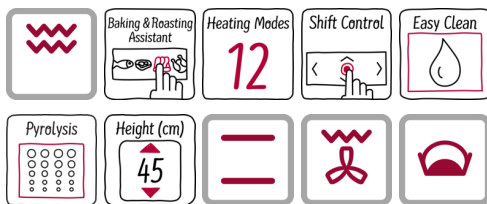


N 90, Built-in compact oven with microwave function,  
Stainless steel  
C27MS22NOB



Compact built-in oven with CircoTherm® - Neff's award-winning hot air system

- ✓ CircoTherm® - our smart hot-air solution for simultaneous baking and roasting on up to four levels
- ✓ Combined microwave and oven - the convenient solution to save space and time
- ✓ Dual cleaning options: Pyrolytic cleaning programmes - just let the oven interior clean itself. EasyClean - the quick and easy option for day to day maintenance.
- ✓ Shift Control - fast navigation through menus and simple operation with the TFT display.
- ✓ Baking and Roasting Assistant with Automatic Programmes - the duo for optimal baking at your command
- ✓ LED lights - Bright illumination exactly where you need it.



#### Features

##### Technical Data

Type of micro-wave oven : MW-Combi  
 Type of control : Electronic  
 Color / Material Front : Stainless steel  
 Dimensions of the product (mm) : 455 x 596 x 548  
 Cavity dimensions (mm) : 237.0 x 480 x 392.0  
 Length of electrical supply cord (cm) : 150  
 Net weight (kg) : 35.733  
 Gross weight (kg) : 38.0  
 EAN code : 4242004185369  
 Maximum micro-wave power (W) : 900  
 Connection rating (W) : 3600  
 Current (A) : 16  
 Voltage (V) : 220-240  
 Frequency (Hz) : 60; 50  
 Plug type : no plug

#### Optional accessories

Z11GT10X3 : Glass roasting dish, 5,4l , Z11GU20X0 : Glasspan , Z11SZ00X0 : SeamlessCombination mounting kit , Z11SZ60X0 : SeamlessCombination 45 + 14cm , Z11SZ90X0 : SeamlessCombination 60 + 45cm , Z12CB10A0 : Baking tray, anthracite enamelled , Z12CM10A0 : Moussaka pan, anthracite enamelled , Z12CP10A0 : Pizza pan, anthracite enamelled , Z12CQ10A0 : Grill tray, anthracite enamelled , Z13CV06S0 : Decor strip , Z18M45X0 : Cookbook , Z1913X0 : Baking Stone , Z19DD10X0 : Steam set for ovens



4 242004 185369

*N 90, Built-in compact oven with microwave  
function, Stainless steel*  
C27MS22NOB

## Features

### Design

- 4.1" TFT colour and graphics display with ShiftControl
- Illuminated Shift Control
- Electronic clock timer
- Drop down door, SoftClose, soft opening
- Bar handle
- Enamel anthracite

### Features

- Door lock during pyrolytic cleaning Control panel lock Automatic safety switch off Residual heat indicator Start button Door contact switch
- Temperature proposal Actual temperature display Heating up indicator Sabbath setting automatic programmes:
- Intelligent microwave inverter technology: For optimised results maximum output power will be regulated to 600 W when used in longer operation for gentler cooking.
- automatic programmes:, 14
- Baking and roasting assistant, Automatic programmes
- LED light, On/off button
- On/off button
- 3 shelf positions
- Cooling fan

### Cleaning

- Pyrolytic cleaning
- EasyClean
- Microwave top door

### Programmes/functions

- Compact oven with microwave with 12 main functions heating methods: CircoTherm®, CircoTherm® Gentle, Top/bottom heat, Conventional heat Gentle, Circo-roasting, Full surface grill, Centre surface grill, CircoTherm® intensive, Bottom heat, Low temperature cooking, Dough proving, Plate warming
- Additional heating methods with microwave: Microwave, Microwave combination cooking
- Microwave may be used separately or in combination
- Max. Power: 900 W; 5 Microwave power settings (90 W,180 W,360 W,600 W,900 W)

### Standard accessories

- 1 x universal pan, 1 x combination grid

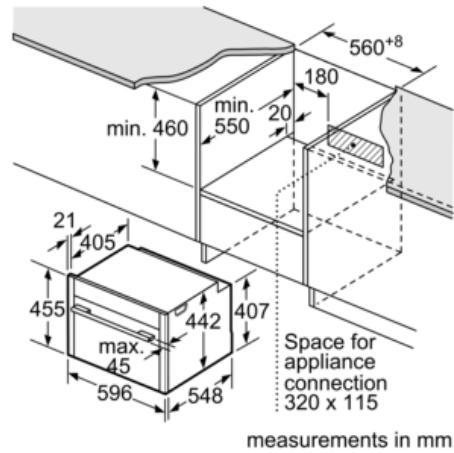
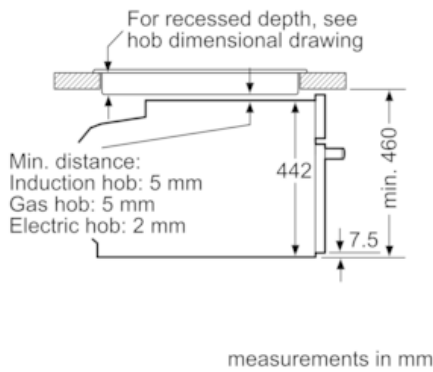
### Technical information

- Cavity volume: 45 l
- Temperature range 30 °C - 275 °C
- Microwave inverter technology
- Power cord length 150 cm Cable length
- Total connected load electric: 3.6 KW
- Nominal voltage: 220 - 240 V
- Appliance dimension (hxwxh): 455 mm x 596 mm x 548 mm
- Niche dimension (hxwxh): 450 mm - 455 mm x 560 mm - 568 mm x 550 mm
- Please refer to the dimensions provided in the installation manual

N 90, Built-in compact oven with microwave function, Stainless steel  
C27MS22NOB

Dimensioned drawings

Installation with a hob.



If the compact appliance will be installed underneath a hob, the following worktop thicknesses (including substructure if necessary) must be taken into account.

Hob type	min. worktop thickness	
	fitted	flush
Induction hob	42 mm	43 mm
Full surface Induction hob	52 mm	53 mm
Gas hob	32 mm	43 mm
Electric hob	32 mm	35 mm

